

RHINO-RACK®

RAM 1500 RLKVA Leg to Platform

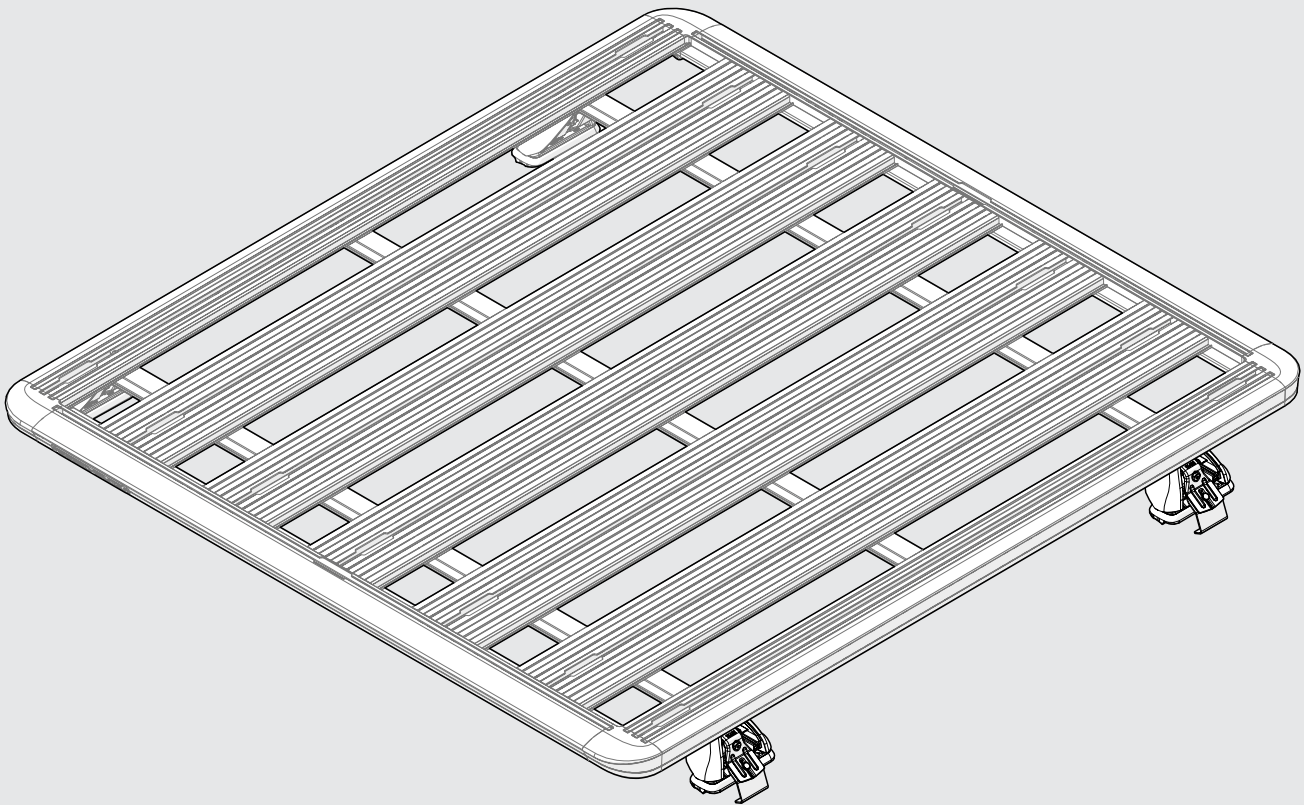
ROLR1

Important:

1. Check the Rhino-Rack website to ensure you have the latest issue of these instructions.
2. Please refer to your fitting instruction to ensure that the roof racks are installed in the correct locations.
3. Check the contents of kit before commencing fitment and report any discrepancies.
4. Place these instructions in the vehicle's glove box after installation is complete.
5. These instructions must be followed for warranty to be upheld.

Fit Time: 2 hours

This Fitting Instruction supersedes all other instructions included in each kit when installing 2500 series legs and the Pioneer Platform onto the RAM 1500

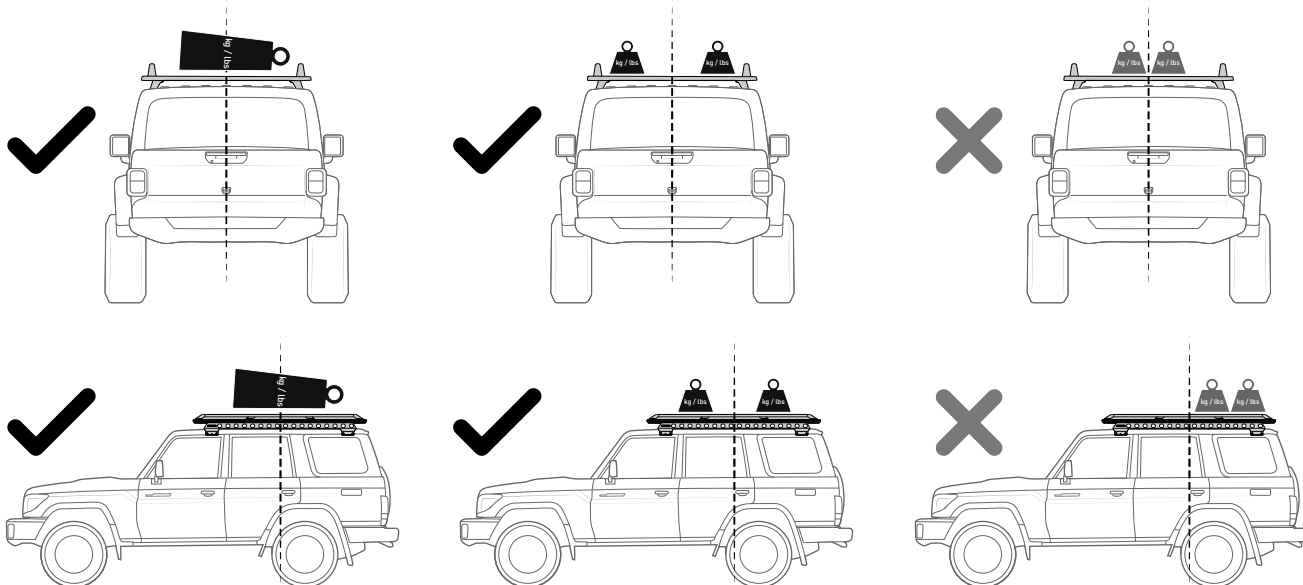


RHINORACK.COM

Rhino-Rack AUSTRALIA
22A Hanson Pl,
Eastern Creek, NSW, 2766

Rhino-Rack USA
Unit D, 2450 Airport Blvd,
Aurora, CO, 80011

Document No: 520-RFI-00100
Issue No: 01
Issue Date: 19/08/2022

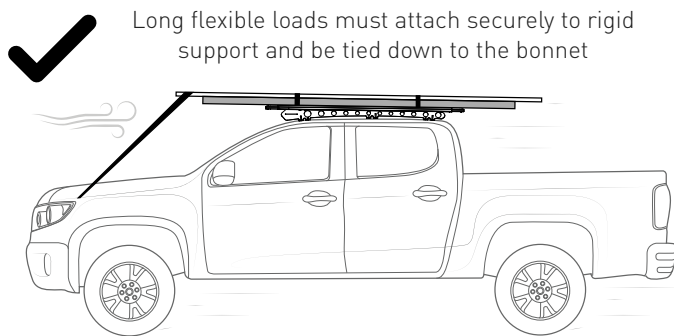
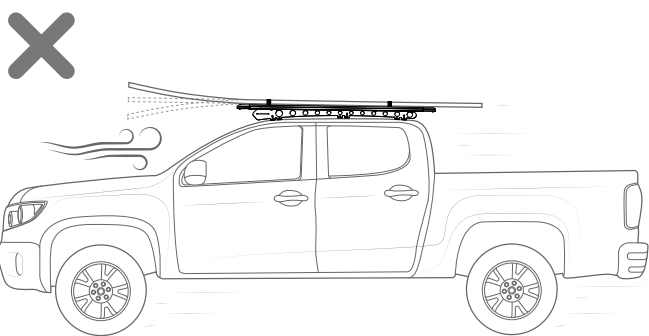
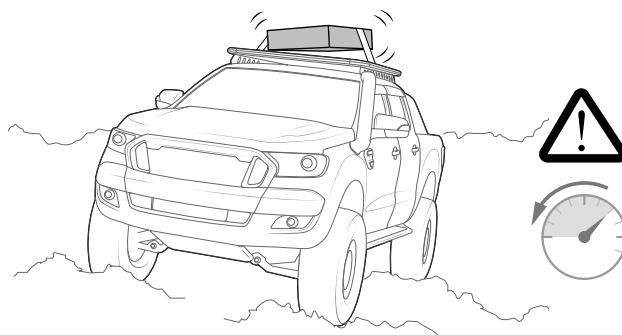
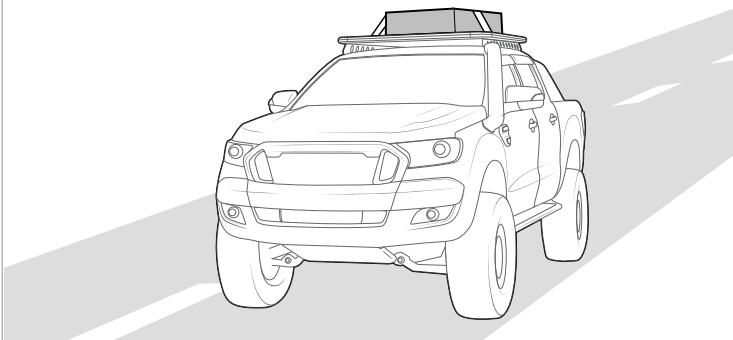


Distribute loads evenly and laterally/longitudinally as low as possible over the span.

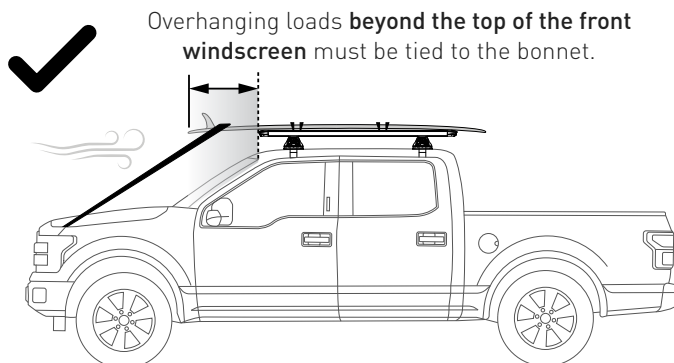
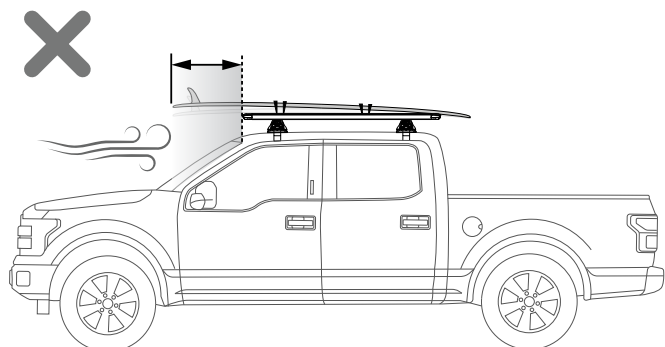
Avoid point loads concentrated at the front or rear.

Exercise extreme care when transporting wind-resistant loads. Special consideration must be taken when cornering and braking.

Off-road conditions can be much more rigorous. Extreme care must be taken on any driven path that does not contain a surface protection layer (tar/bitumen).



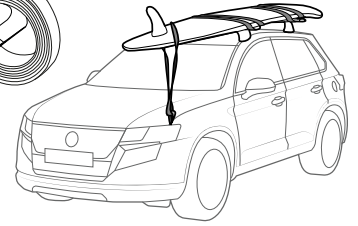
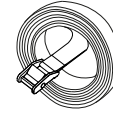
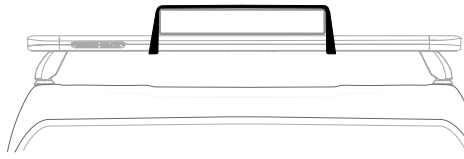
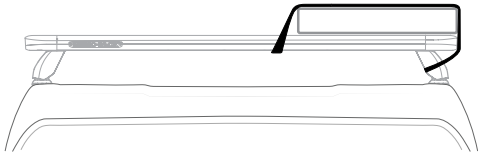
Long flexible loads must attach securely to rigid support and be tied down to the bonnet



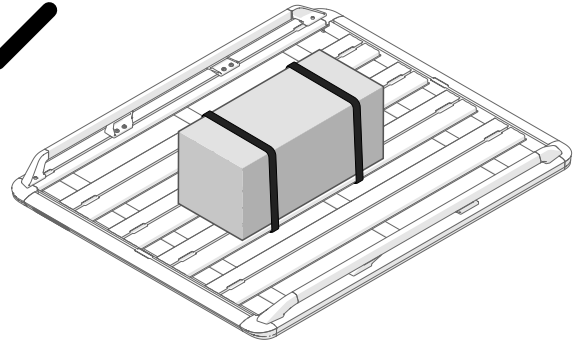
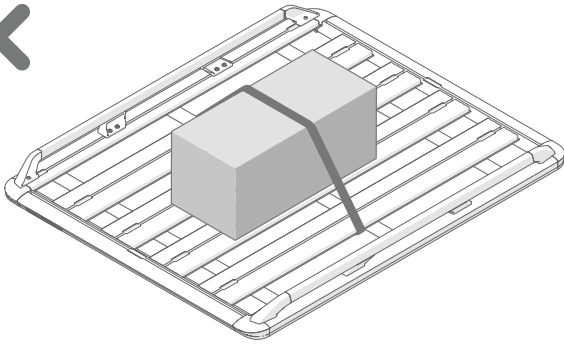
Overhanging loads **beyond the top of the front windshield** must be tied to the bonnet.



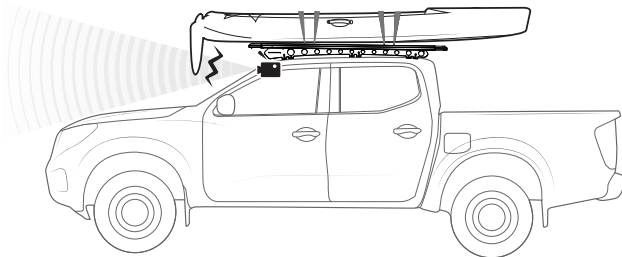
Loads must be tied down to Platform, **NOT** around legs



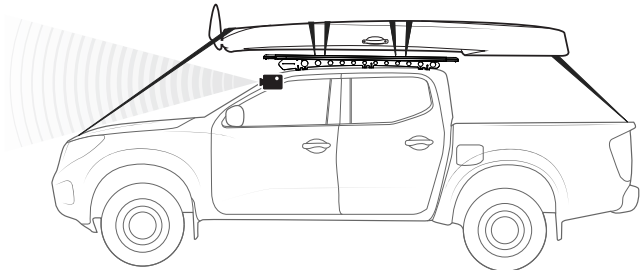
Use only non-stretch fastening ropes or straps to attach cargo to roof racks



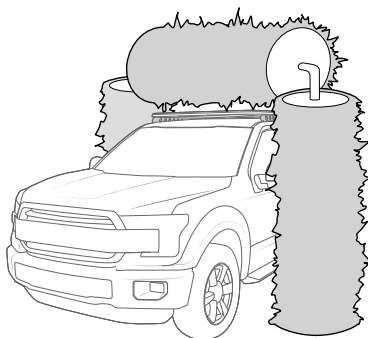
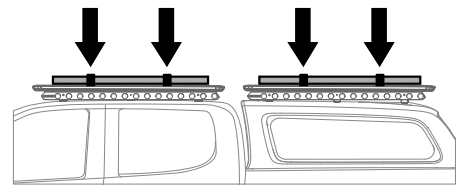
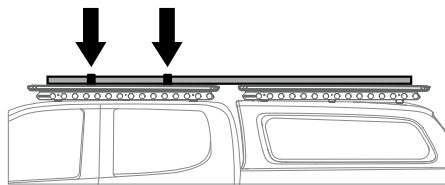
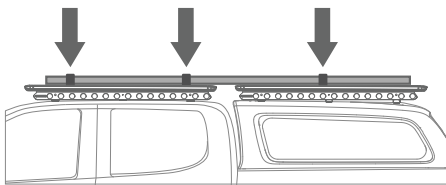
Do NOT obstruct windscreen camera sensors



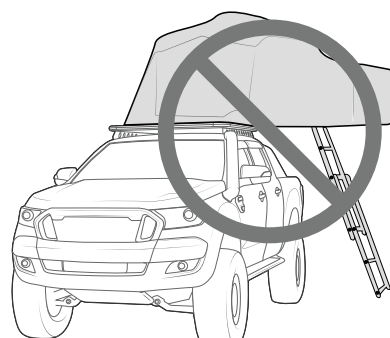
Warranty for roof rack system will be void if the front of the kayak is not secured to the bonnet



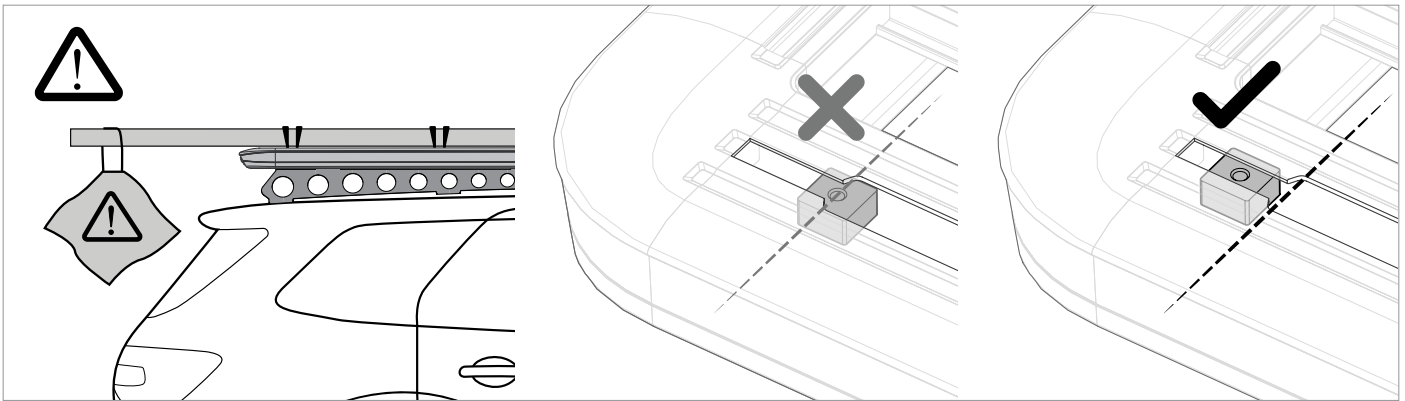
Tub/tray/canopys can move independently from the vehicle cabin. Rigidly fix to either the cabin roof racks or the tub/tray/canopy roof racks but not both simultaneously.



Racks must be removed when vehicle is put through an automatic car wash.



Roof top tent not supported

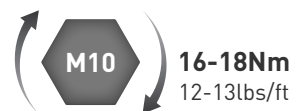


In service maintenance checks

- All bolt connections should be checked after driving a short distance when you first install your roof racks.
- All bolted connections should be checked again at regular intervals (weekly is recommended, depending on road conditions, usage, loads and distances travelled).
- All bolted connections should be checked each time they are re-fitted.
- Off-road conditions are more rigorous. Check all bolted connections and your load more regularly.
- Ensure that your vehicle manufacturer’s GVM, and gross axle weights are not exceeded (refer to vehicle owner’s manual).

Torque Settings:

Unless stated otherwise in these instructions, all fasteners should be set to the following torque settings:

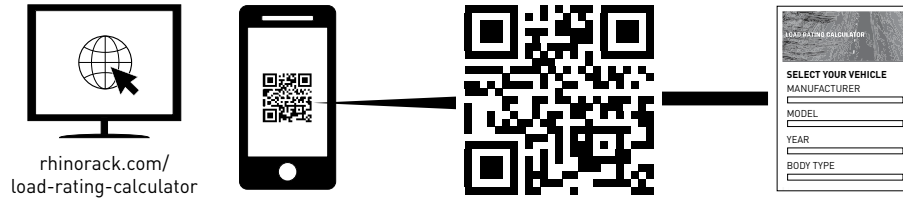


Note for Dealers and Fitters

It is your responsibility to ensure these fitting instructions are given to the end user or client. These instructions remain the property of Rhino-Rack Australia Pty. Ltd. and may not be used or changed for any other purpose than intended.

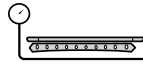
Carrying Capacity

Check the website and the **vehicle owners hand book** for your vehicle manufacturer's maximum carrying capacity. Load must be evenly distributed over the system.



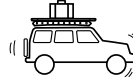
Cargo Load Limit

Total permissible weight allowed on top, and attached to the rack whilst the vehicle is in motion.



System Weight

Total weight of the rack system. (e.g. Crossbars, Backbone, Platform)



Max System Load Capacity

Please ensure you use the vehicle manufacturer's maximum roof allowance if it is lower than the figure listed in the fitting chart/supplement.



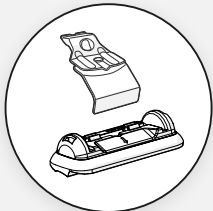
Vehicle Manufacturer's Load Limit

Total permissible weight attached to the rack. This is inclusive of the weight of the rack system.

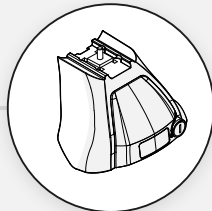
Kit Components

This instruction refers to three separately boxed kits which will be referred to throughout this installation

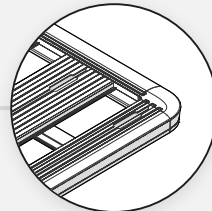
BASE KIT



LEGS



PLATFORM



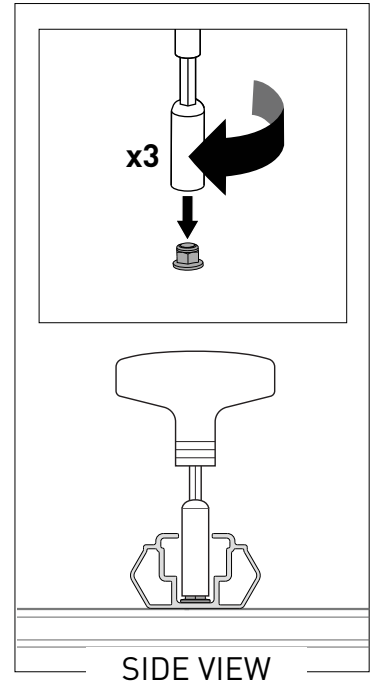
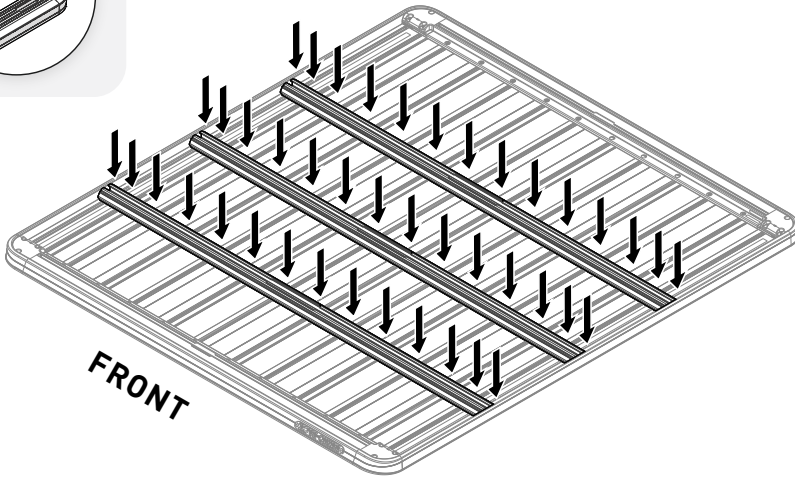
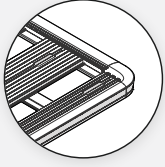
TOOLS REQUIRED:

- T1** - Measuring Tape
- T2** - Marker

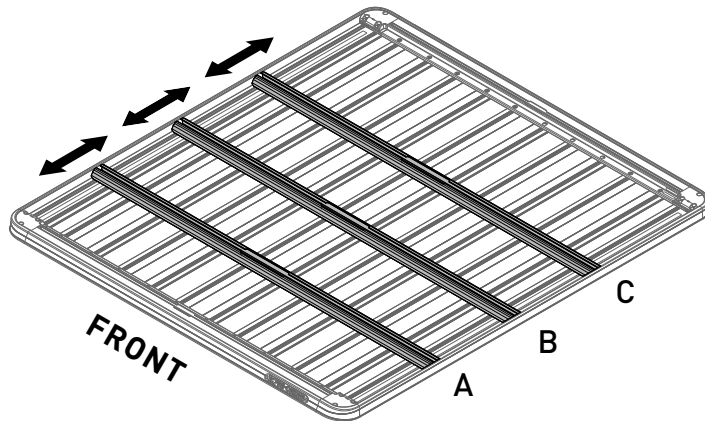
NOTE: Assemble Flat Pack Platform up to **Step 12** before proceeding to this instruction.

1

PLATFORM



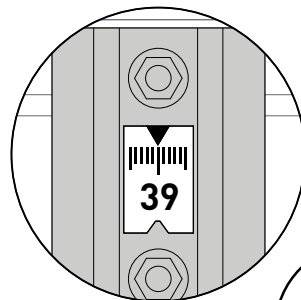
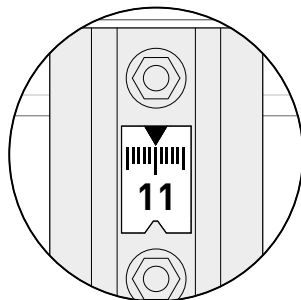
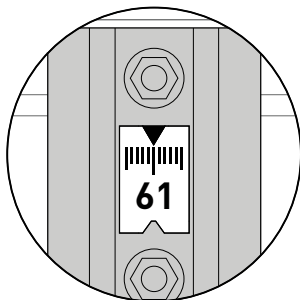
2



Bar A

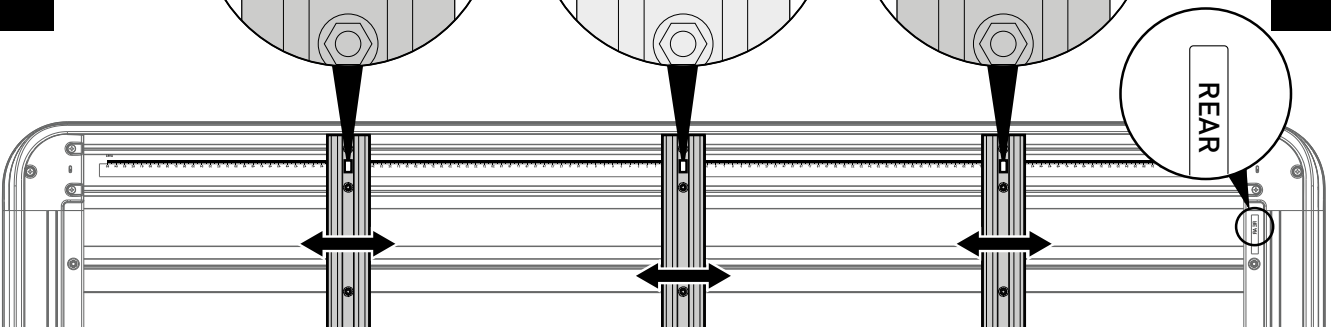
Bar B

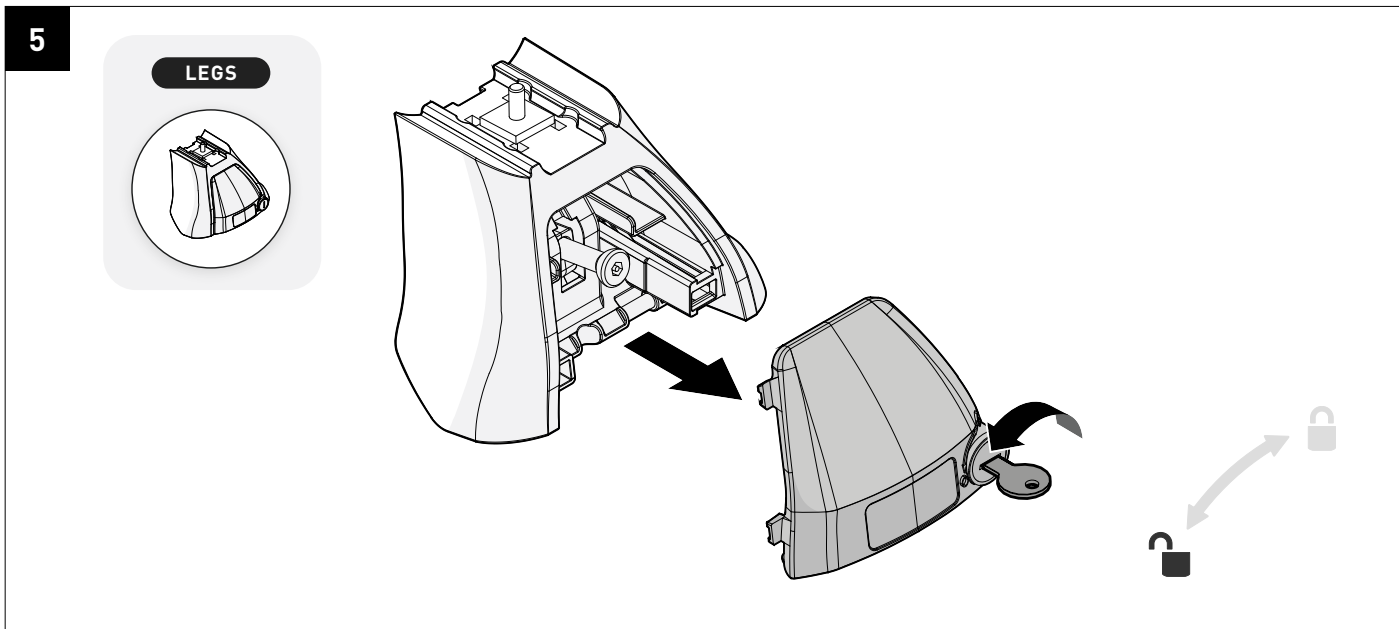
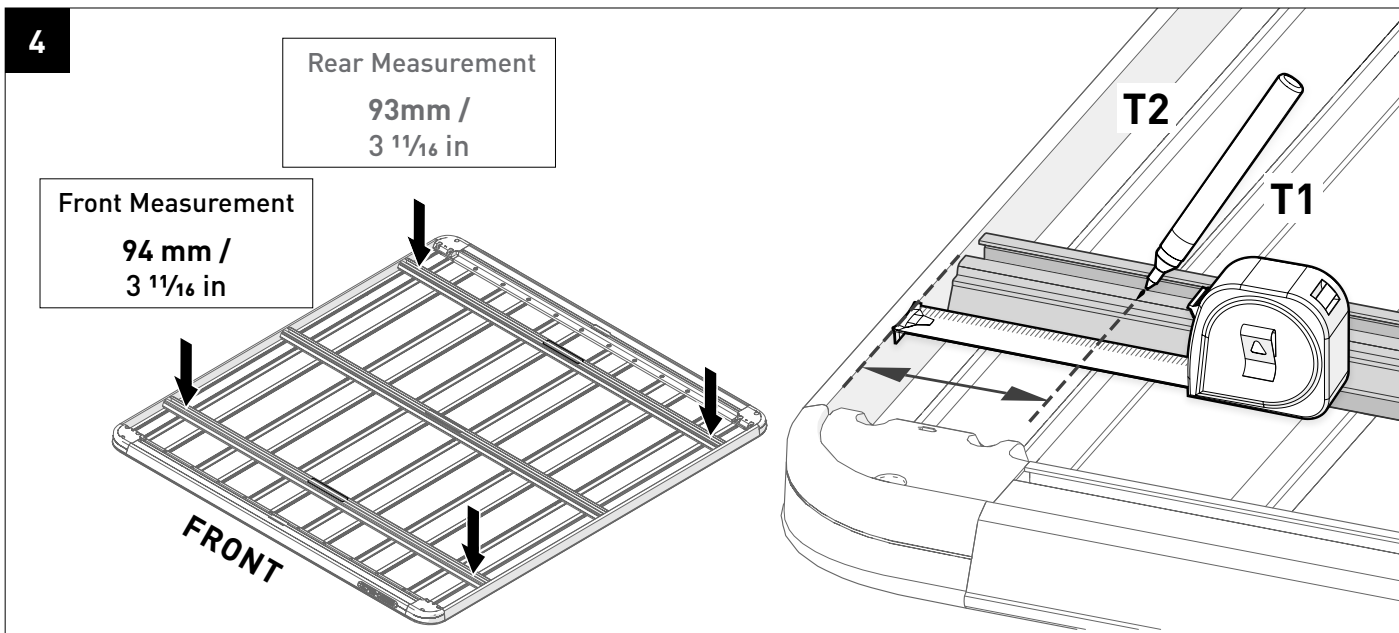
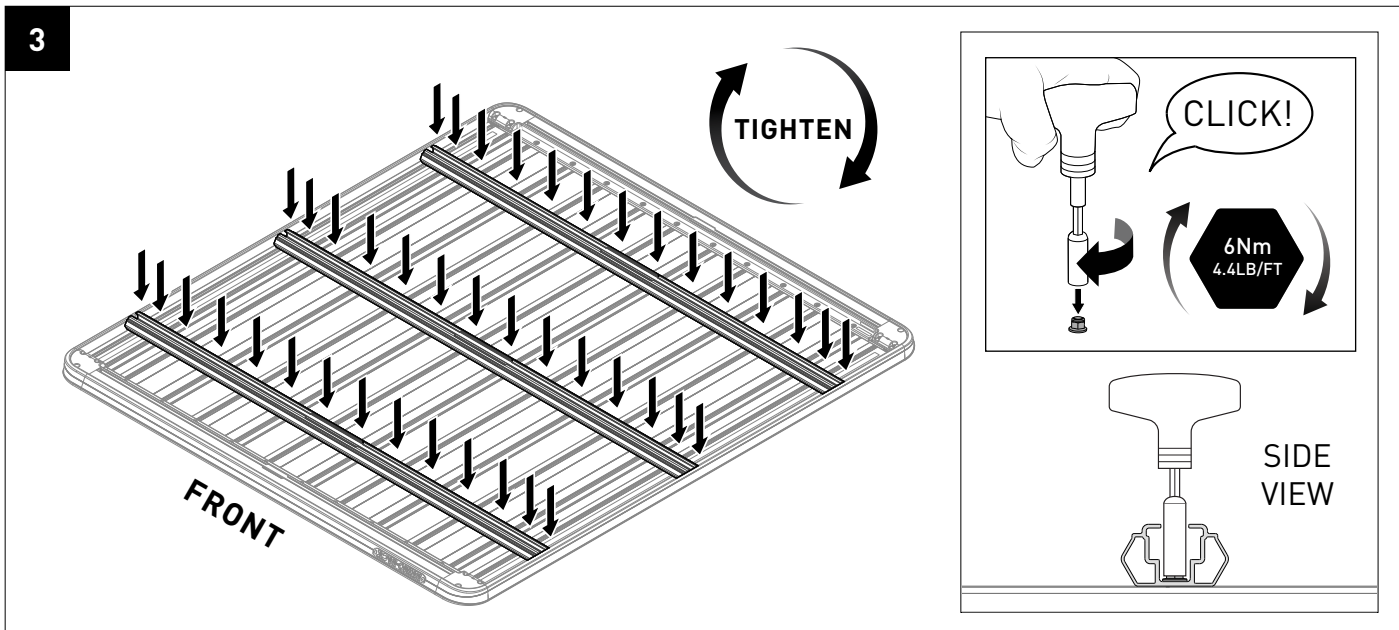
Bar C



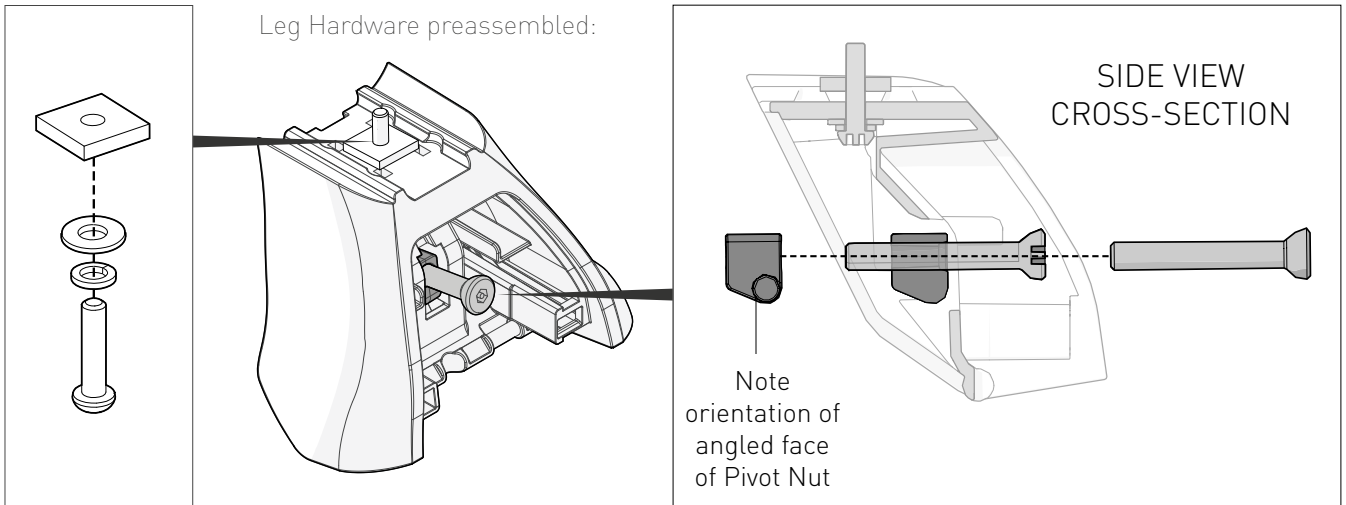
FRONT

REAR

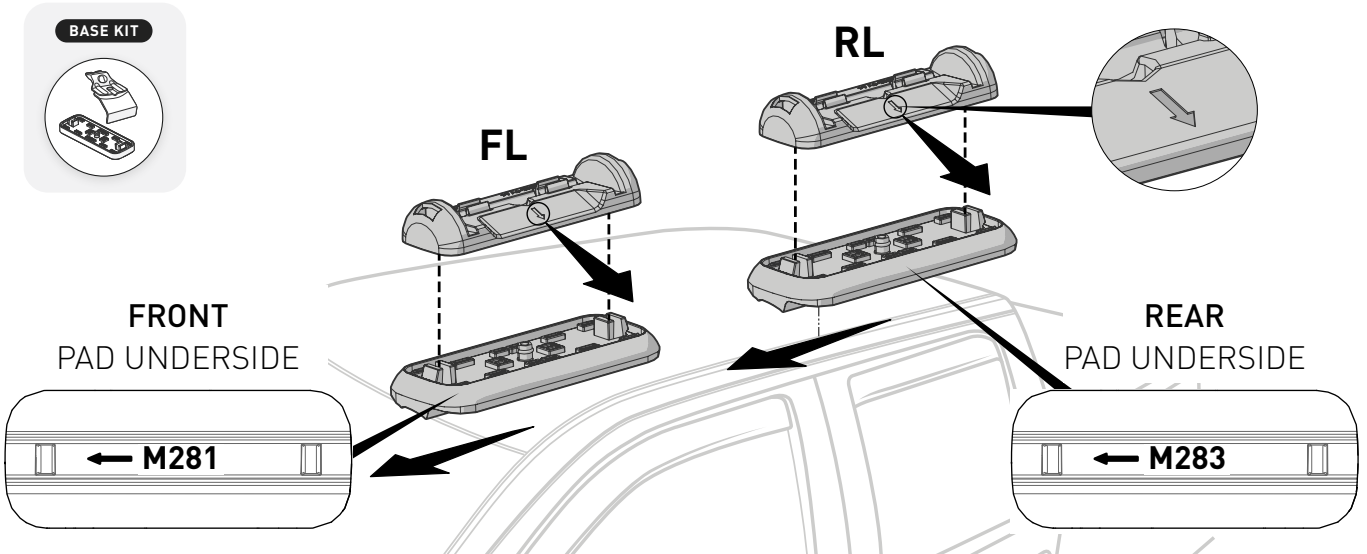




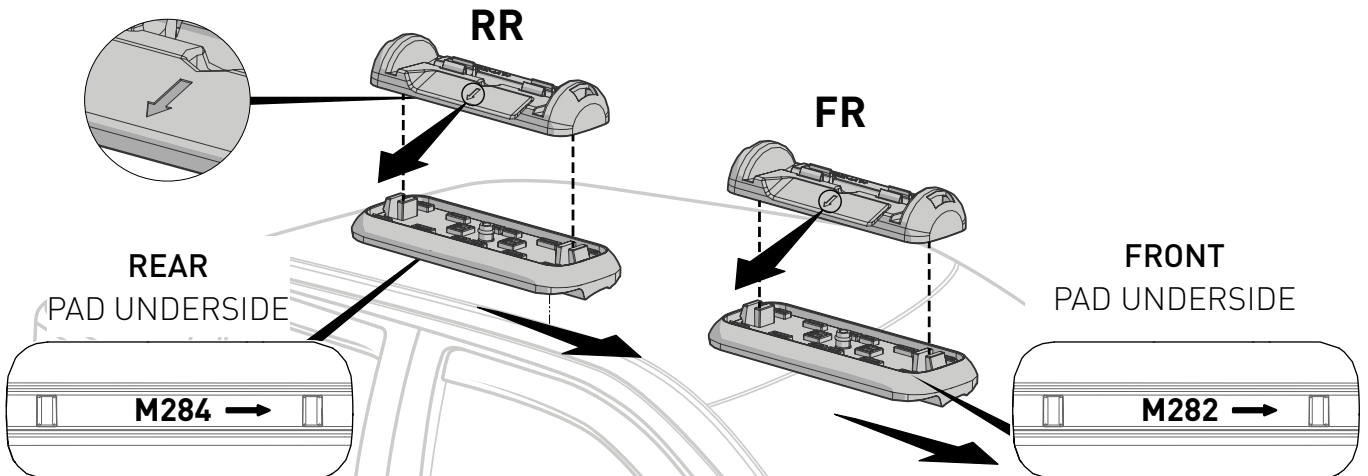
6 Check Pivot Nut is located as below.



7 Assemble the **Left Hand Side** legs by facing the pad arrows towards the FRONT of the vehicle and the Foot Plate facing the OUTSIDE of the vehicle.

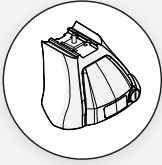


Assemble the **Right Hand Side** legs by facing the pad arrows towards the FRONT of the vehicle and the Foot Plate facing the OUTSIDE of the vehicle.

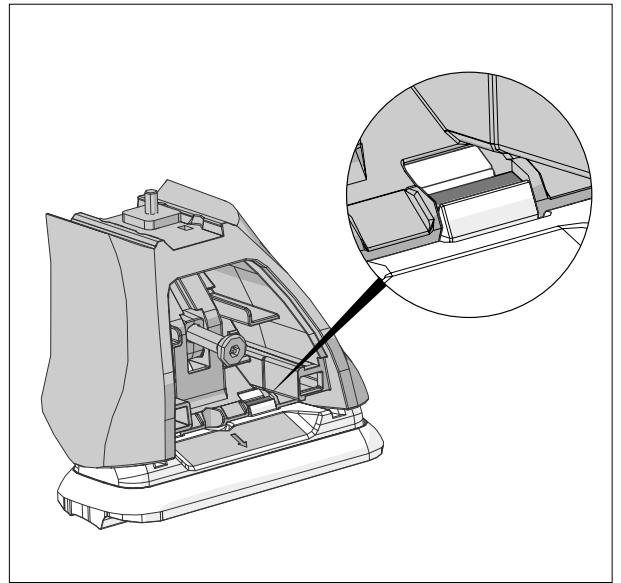
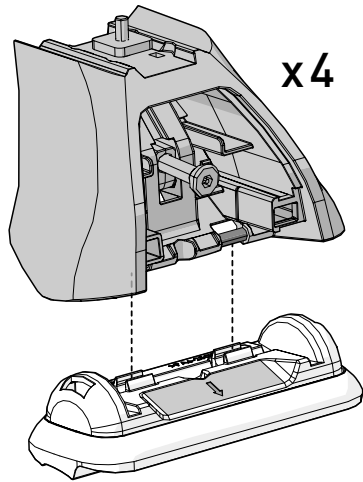
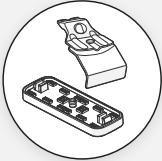


8

LEGS

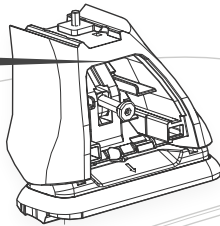


BASE KIT

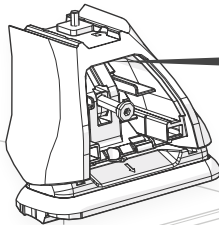


9

FL



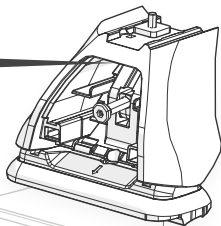
RL



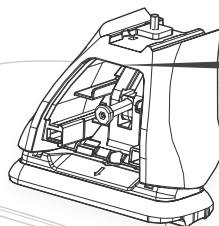
FRONT

OUTSIDE - LEFT

RR



FR



FRONT

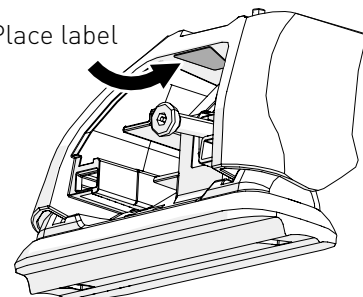
OUTSIDE - RIGHT

LEG LOCATION LABELS

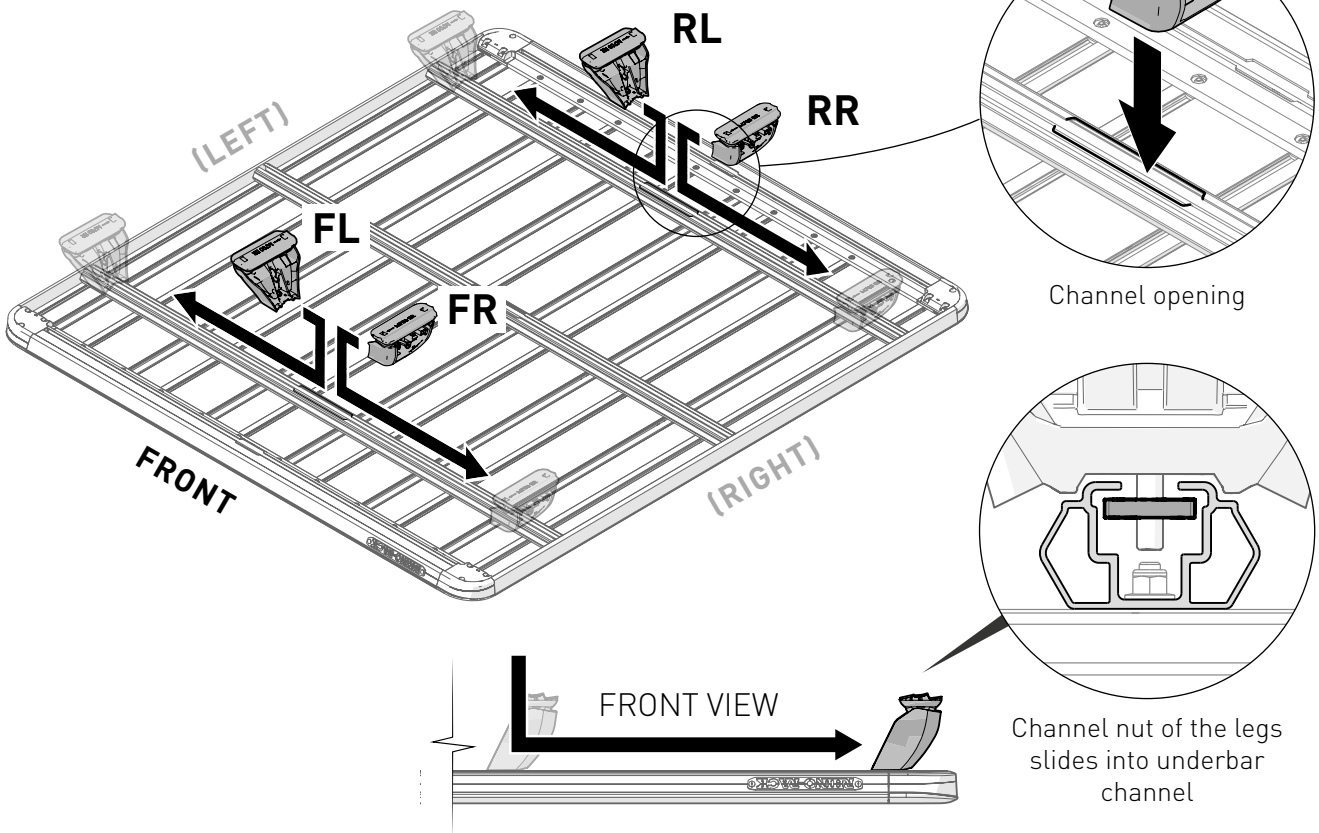


Place labels inside the leg to help identify the leg's location on the vehicle roof when re-fitting platforms.

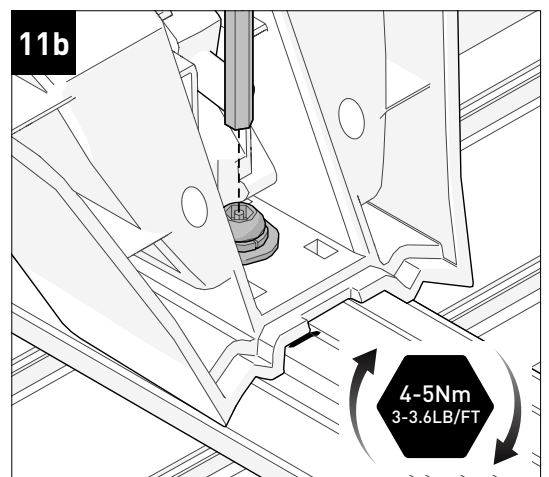
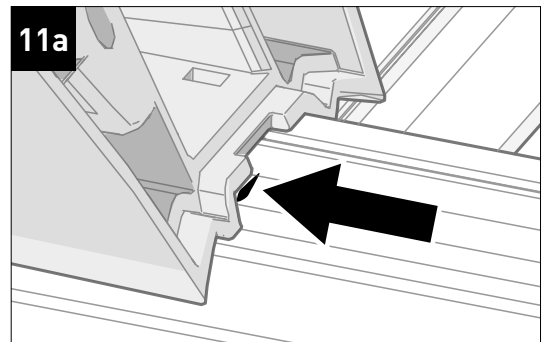
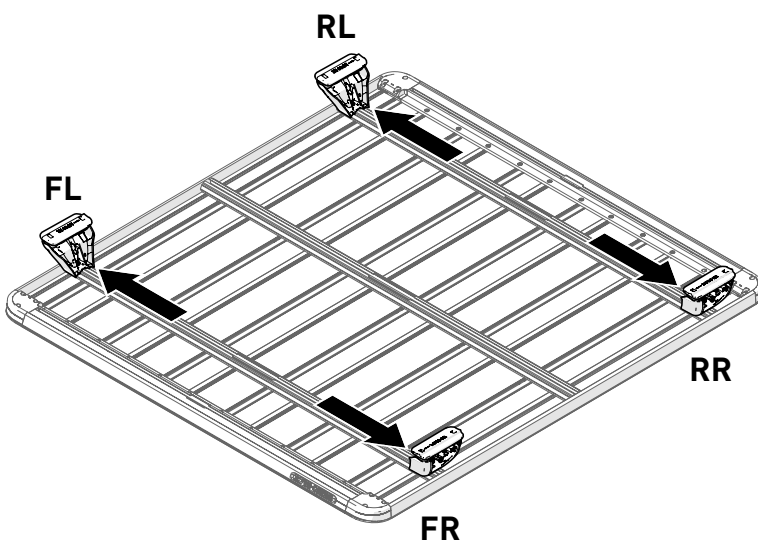
Place label

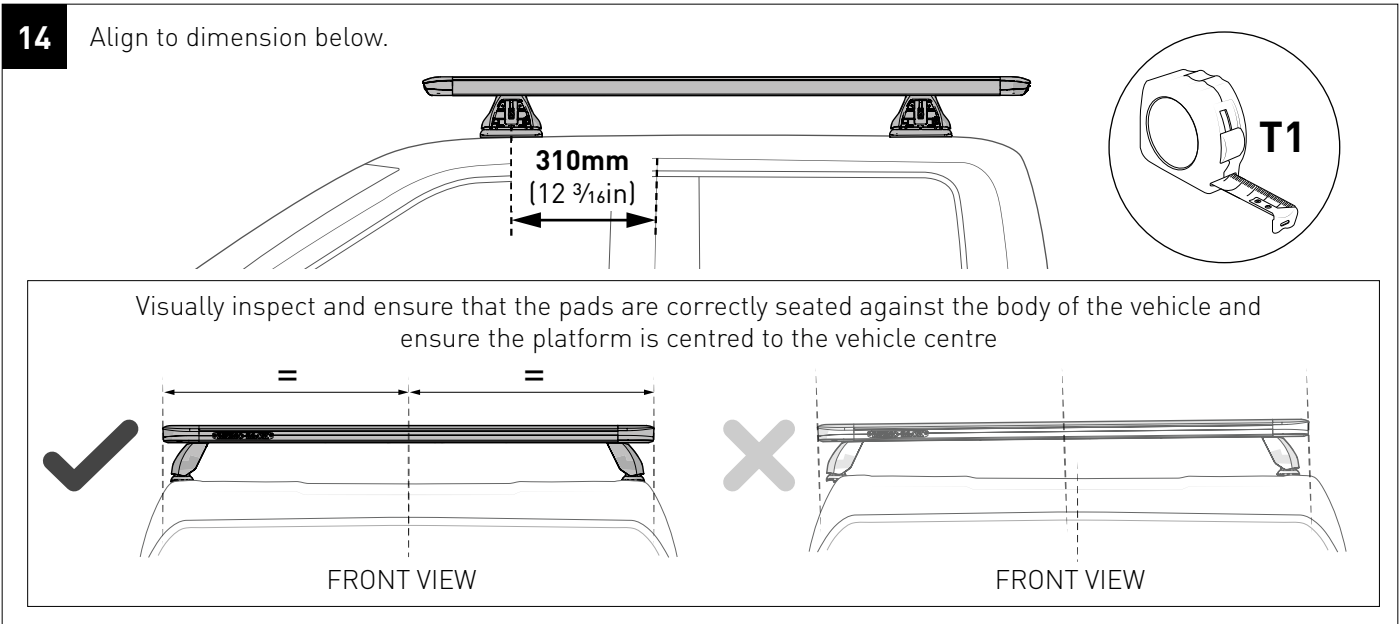
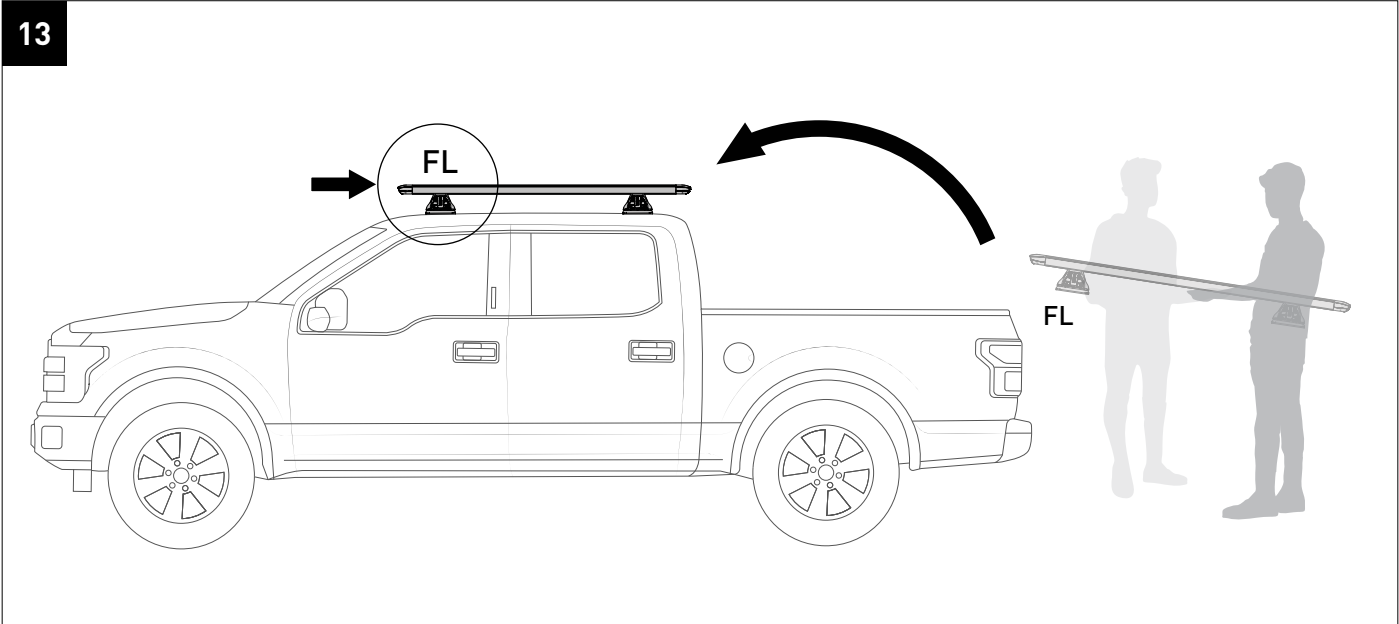
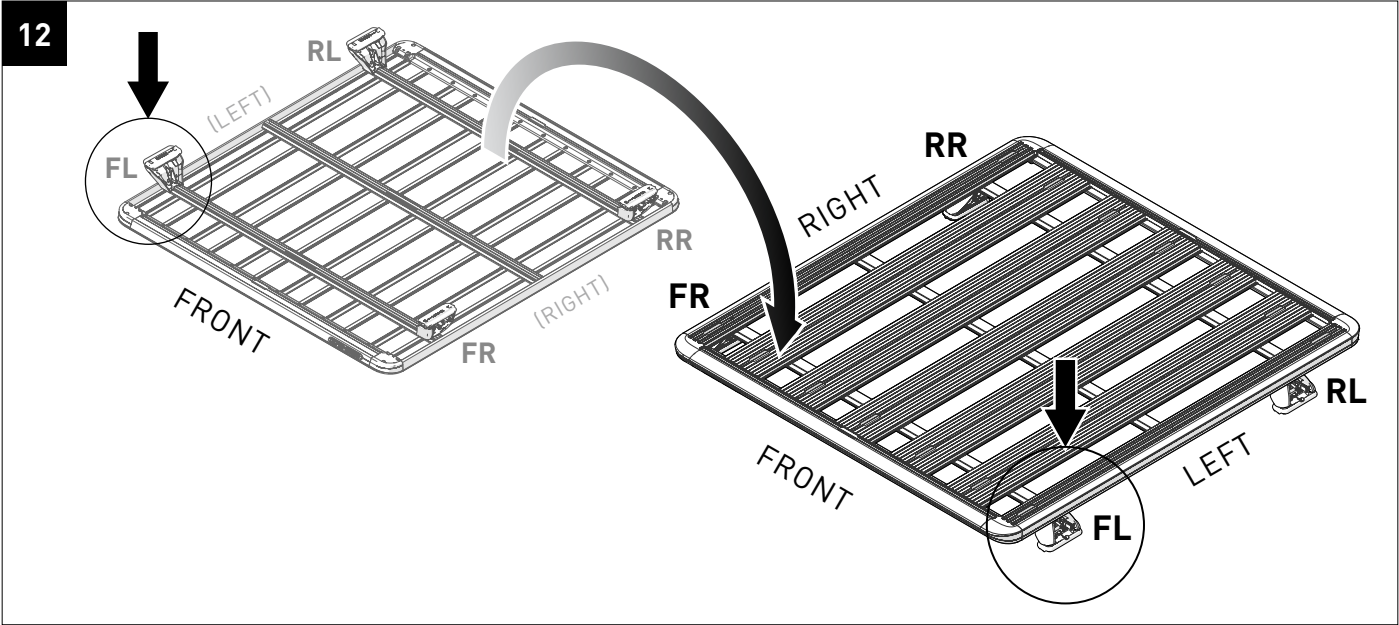


10 Ensure the **FL**, **RL**, **FR** & **RR** legs are inserted at the locations below:

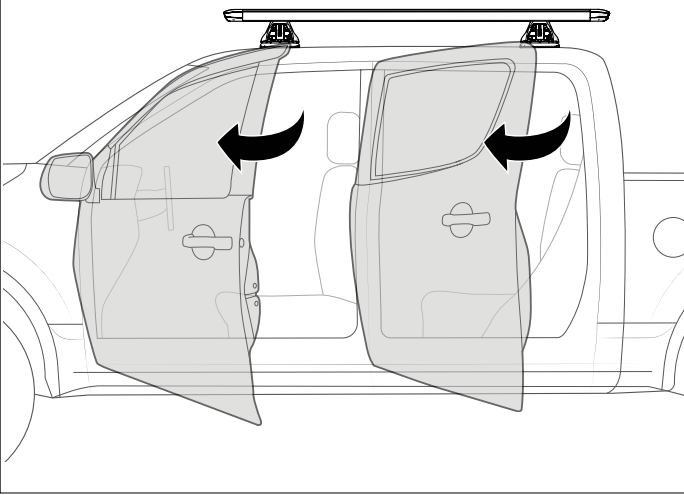


11 Slide and align the inner edge of the leg (refer to **11a**) to the mark made in Step **4**, then tighten the legs into position.



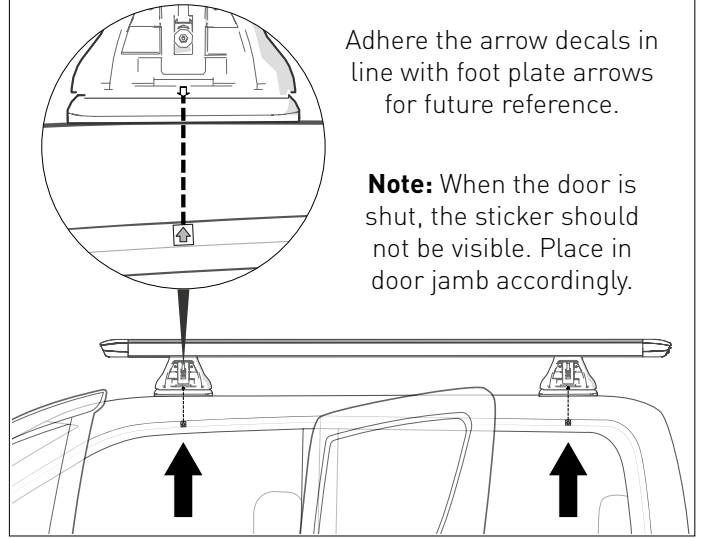


15



16

LEG POSITION DECALS

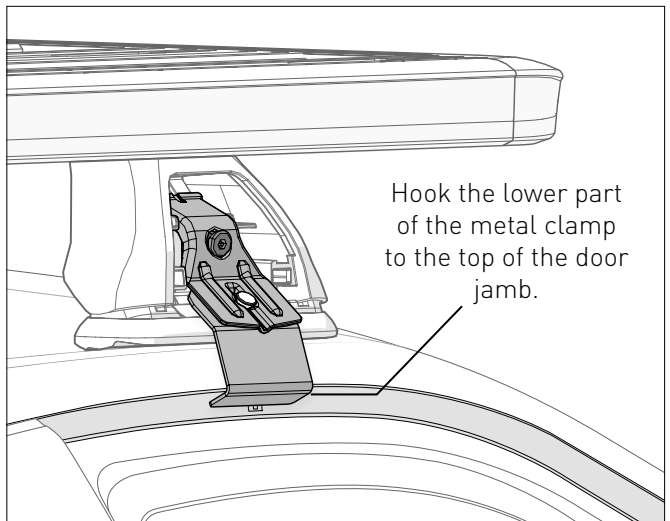
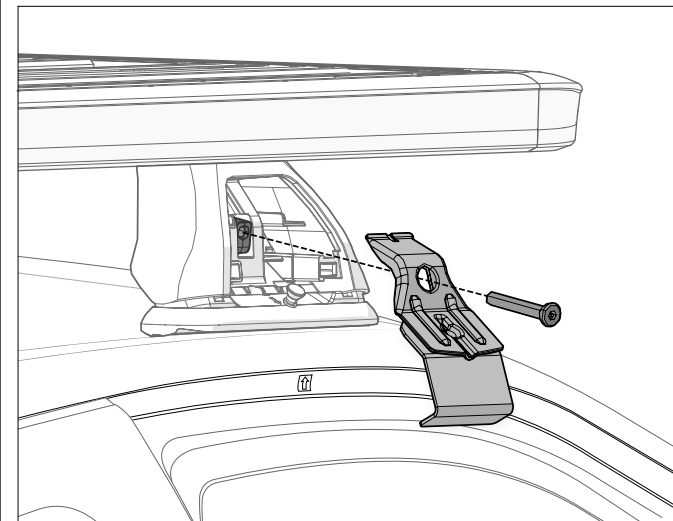


Adhere the arrow decals in line with foot plate arrows for future reference.

Note: When the door is shut, the sticker should not be visible. Place in door jamb accordingly.

17

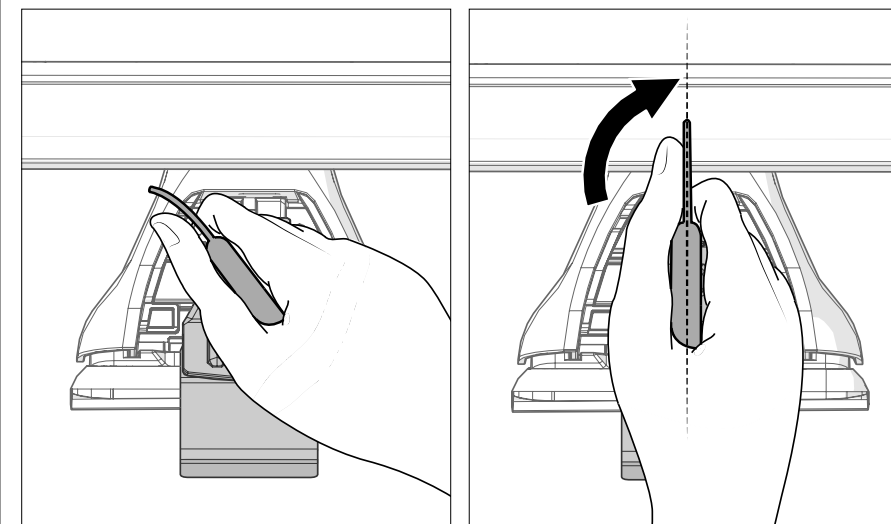
Assemble clamps to legs



Hook the lower part of the metal clamp to the top of the door jamb.

18

Refer to Step **18a** for clamp positioning after tightening.



Bolts must be tensioned incrementally and evenly on each side of the vehicle to avoid pulling the rack to one side. Refer to step **18a** for clamp positioning



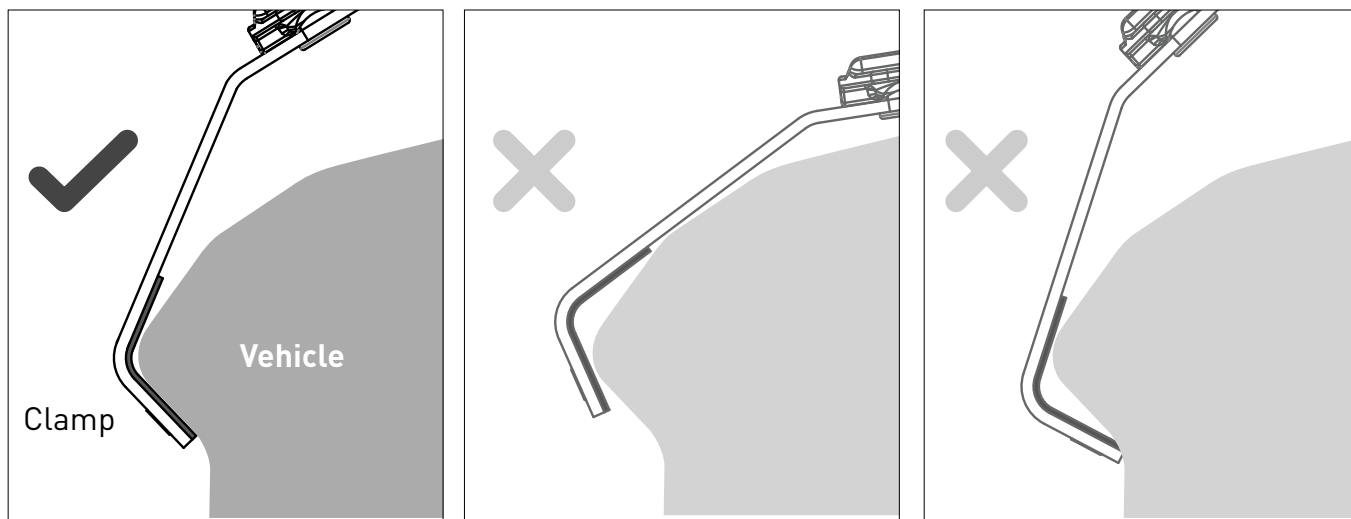
Do not over tighten.



SIDE VIEW

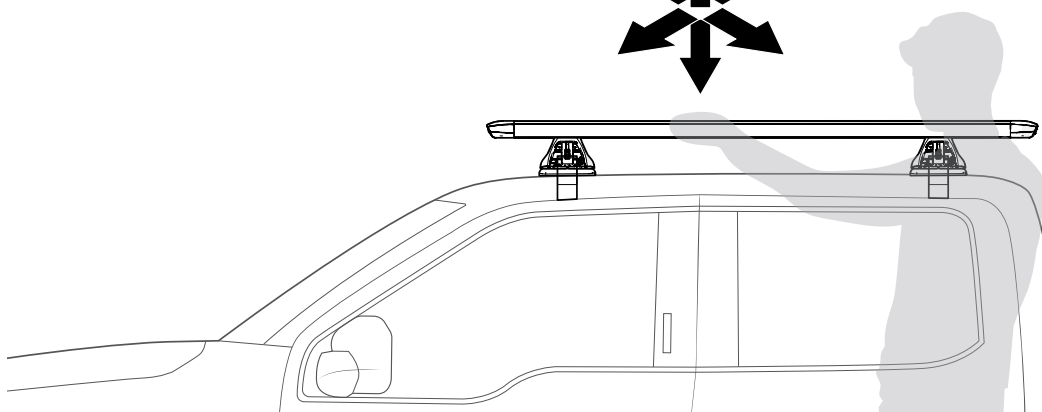
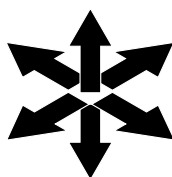
18a

The clamp must have full contact along its face.



19

Check fitment is secure



20

