

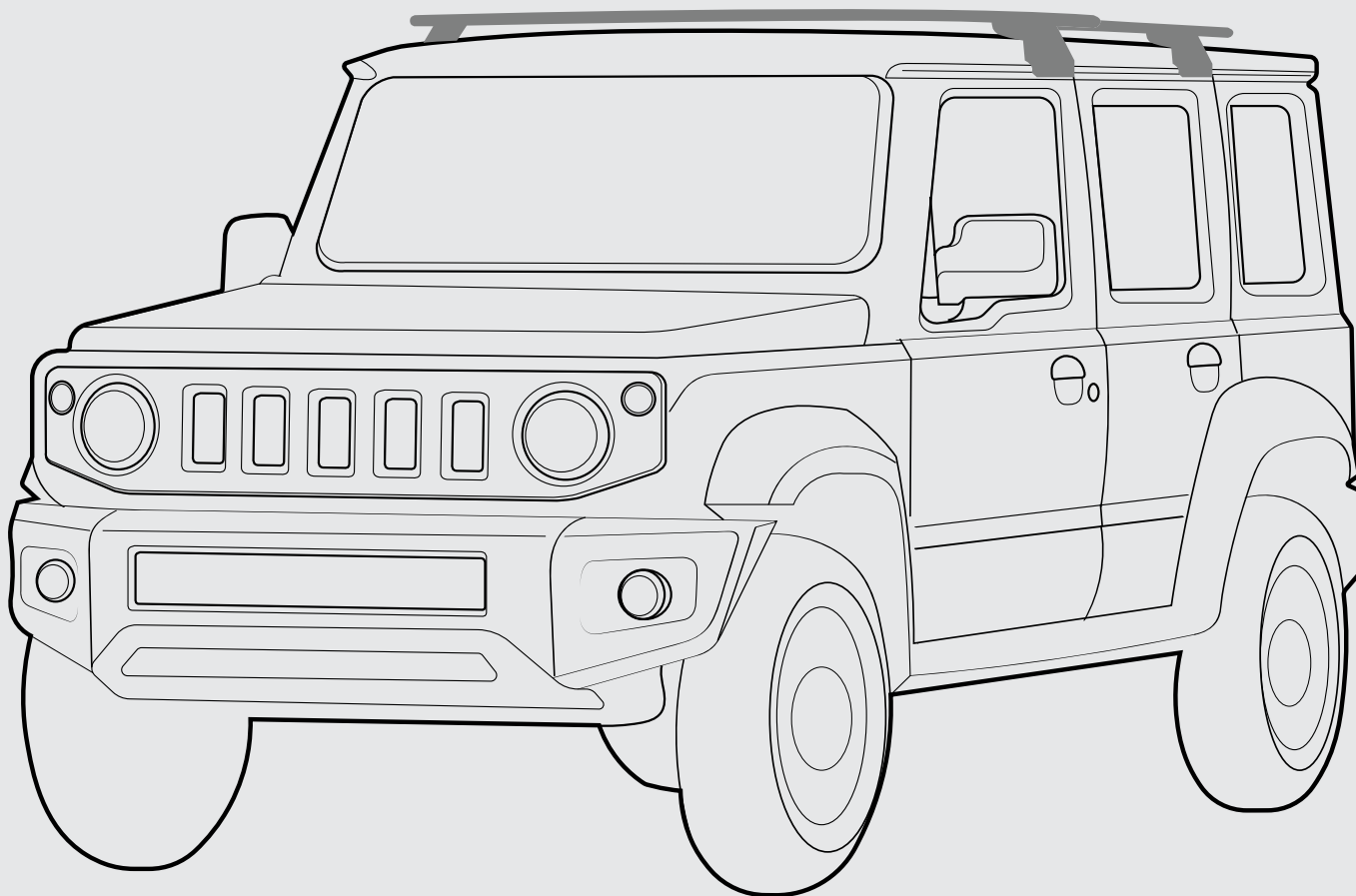
# RHINO-RACK

## Suzuki Jimny JB74/Gen 4 5dr SUV

### Important:

1. Check the Rhino-Rack website to ensure you have the latest issue of these instructions.
2. Please refer to your fitting instruction to ensure that the roof racks are installed in the correct locations.
3. Check the contents of kit before commencing fitment and report any discrepancies.
4. Place these instructions in the vehicle's glove box after installation is complete.
5. These instructions must be followed for warranty to be upheld.

**Fit Time:** 40min



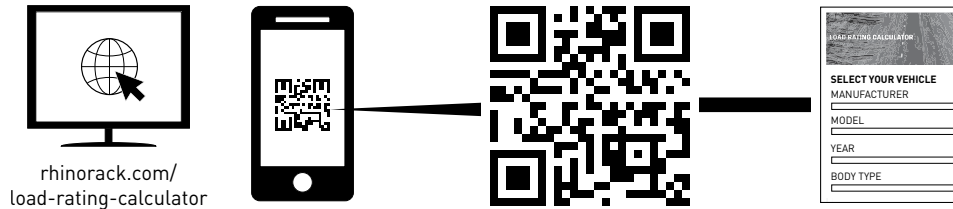
## Important Information

---

### Carrying Capacity

---

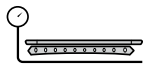
Check the website and the vehicle owners hand book for your vehicle manufacturer's maximum carrying capacity. Load must be evenly distributed over the system.



#### Cargo Load Limit

---

Total permissible weight allowed on top, and attached to the rack whilst the vehicle is in motion.



#### System Weight

---

Total weight of the rack system. (e.g. Crossbars, Backbone, Platform)



#### Max System Load Capacity

---

Please ensure you use the vehicle manufacturer's maximum roof allowance if it is lower than the figure listed in the fitting chart/supplement.



#### Vehicle Manufacturer's Load Limit

---

Total permissible weight attached to the rack. This is inclusive of the weight of the rack system.

#### Torque Settings

Unless stated otherwise in these instructions, all fasteners should be set to the following torque settings - M6: 4-5Nm (3-4lbs/ft), M8: 8-10Nm (6-7.5lbs/ft) and M10: 16-18Nm (12-13lbs/ft).

### Warning

---

- Check Part No. and/ or Kit supplied is correct for use with your vehicle.
- Do not attempt to fit the rack system to your vehicle unless you fully understand these fitting instructions. Please direct any questions regarding fitting to the dealer from where the roof racks were purchased.
- **Use only non-stretch fastening ropes or straps.**
- The handling characteristics of the vehicle changes when you transport a load on the roof. For safety reasons we recommend you exercise extreme care when transporting wind-resistant loads. Special consideration must be taken into account when cornering and braking.
- Although the system is tested and approved to AS1235-2000 / ISO 11154, off-road conditions can be much more rigorous. Extreme care must be taken in off road conditions.
- Roof racks must be removed when vehicle is put through an automatic car wash.

### Recommendations

---

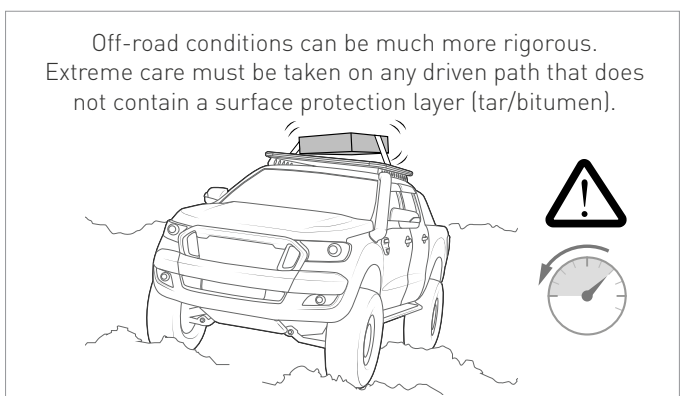
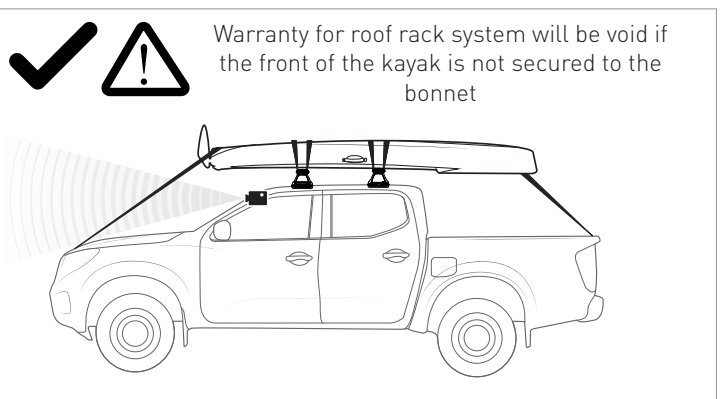
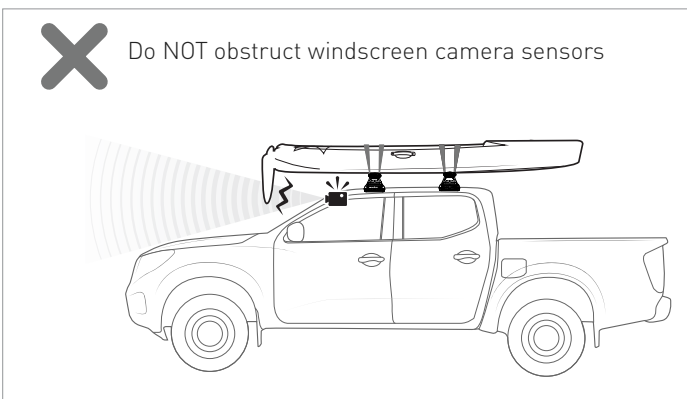
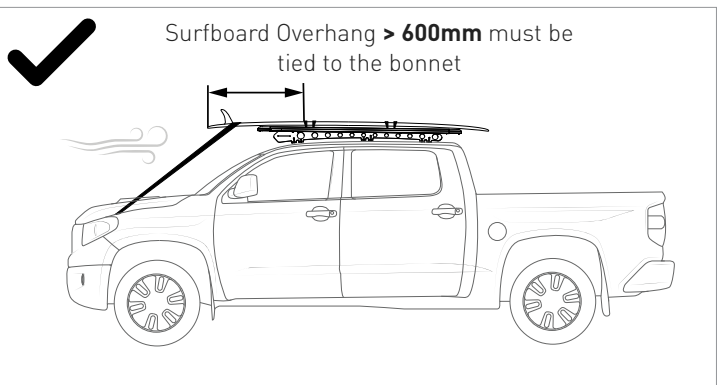
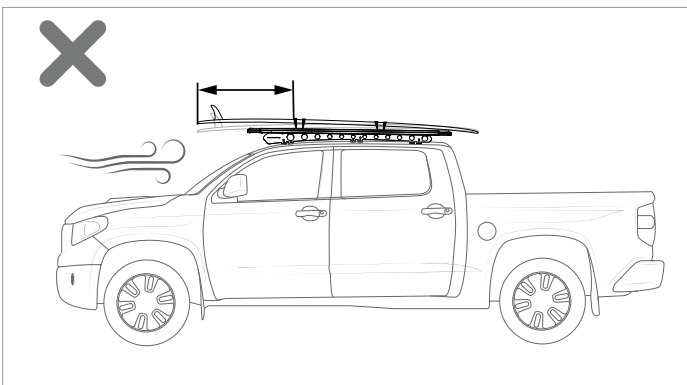
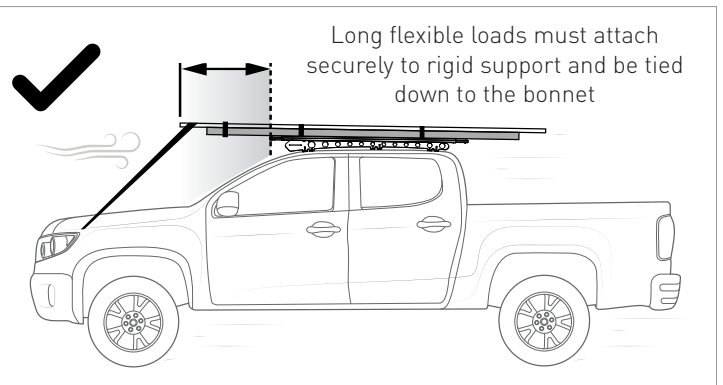
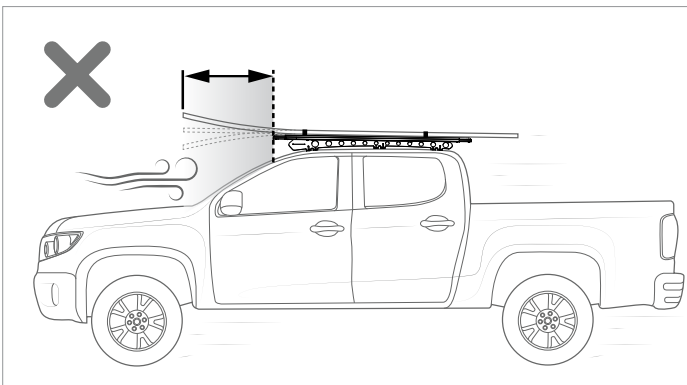
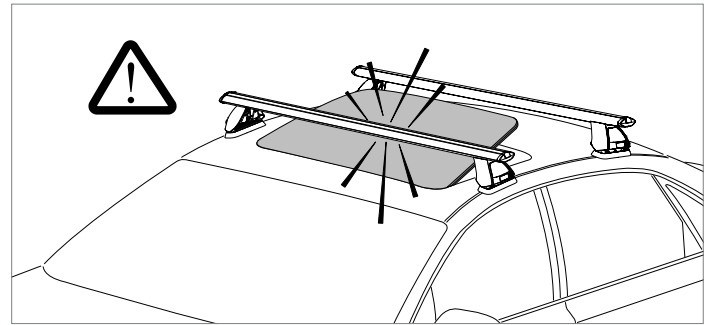
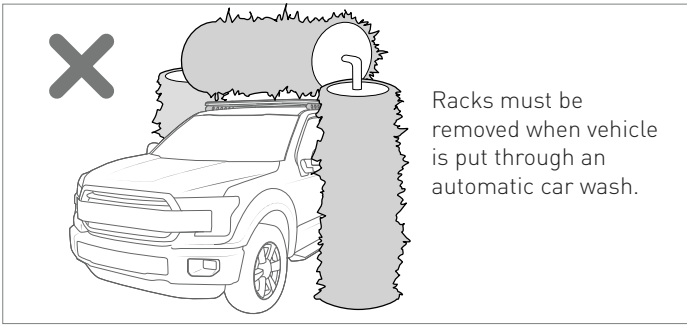
Clean and dry vehicle before fitting roof racks. It is essential that all bolt connections be checked after driving a short distance when you first install your roof racks. Bolt connections should be checked again at regular intervals (once a week is enough, depending on road conditions, usage, loads and distances travelled). You should also check the roof racks each time they are re-fitted. Always make sure to fasten your load securely. Please also ensure that all loads are evenly distributed and that the centre of gravity is kept as low as possible and must be entirely contained within the extents of the roof racks.

### Note for Dealers and Fitters

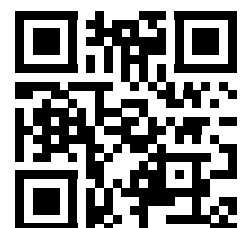
---

It is your responsibility to ensure these fitting instructions are given to the end user or client. These instructions remain the property of Rhino-Rack Australia Pty. Ltd. and may not be used or changed for any other purpose than intended.

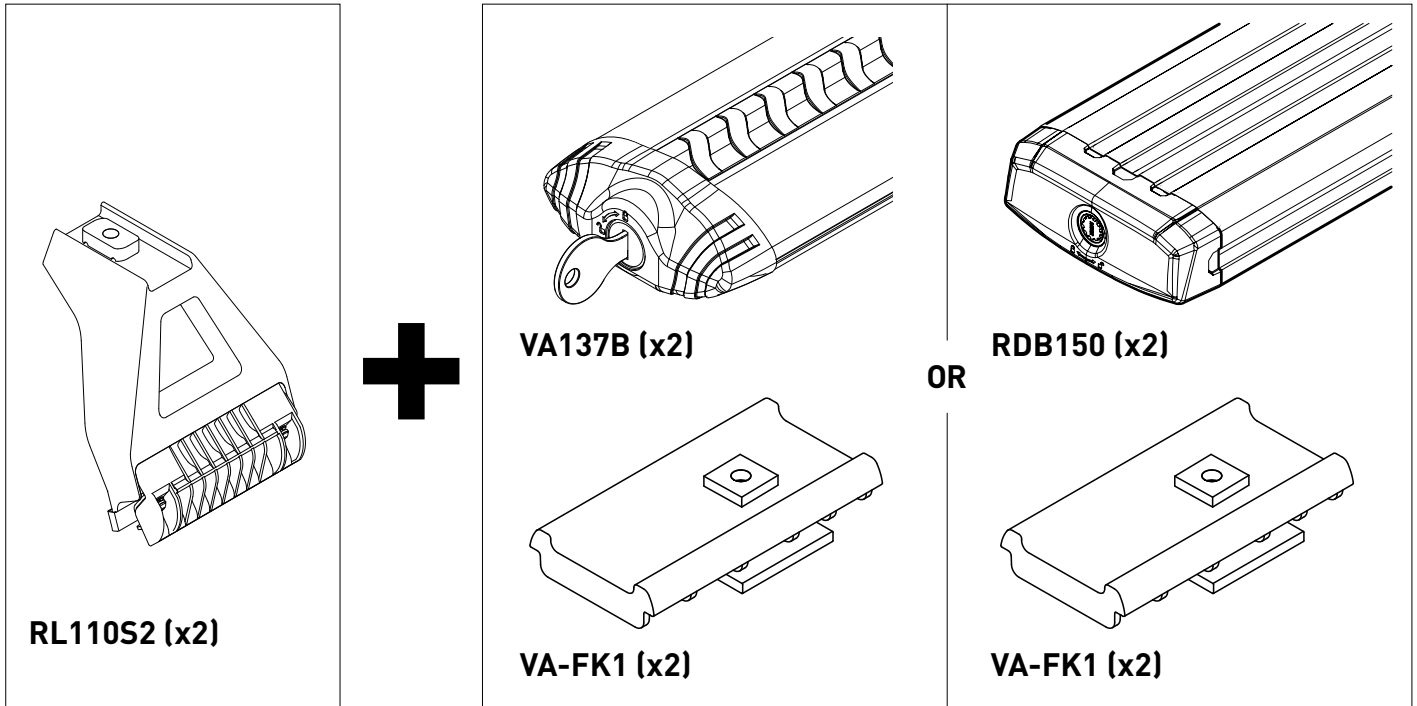
## Important Information



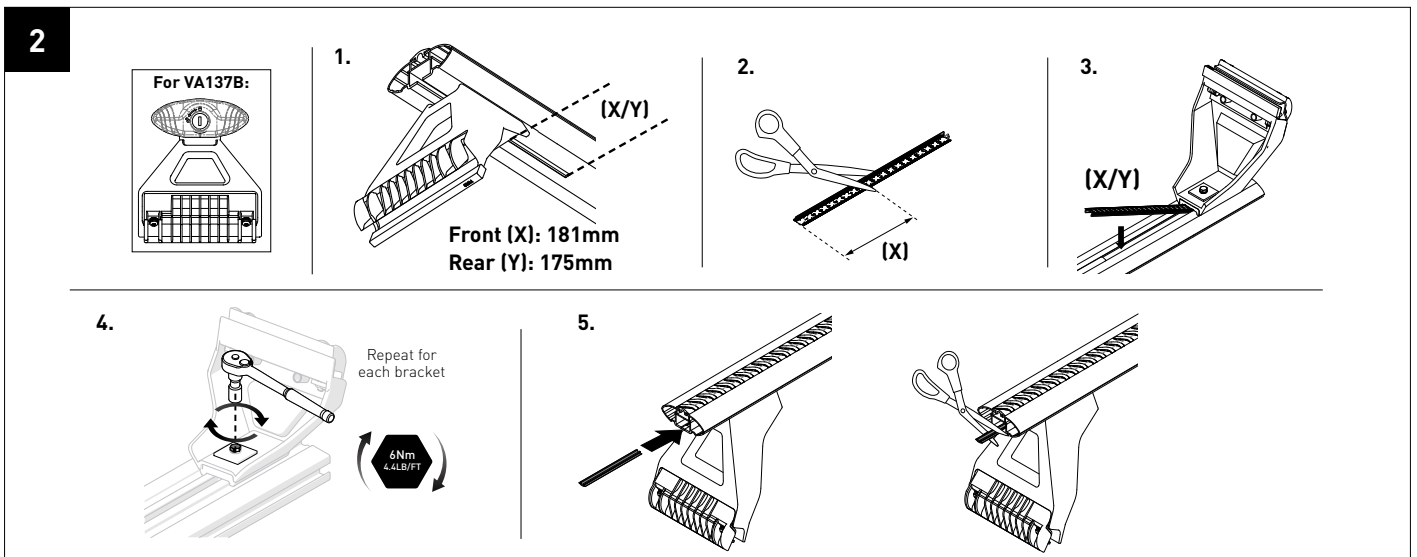
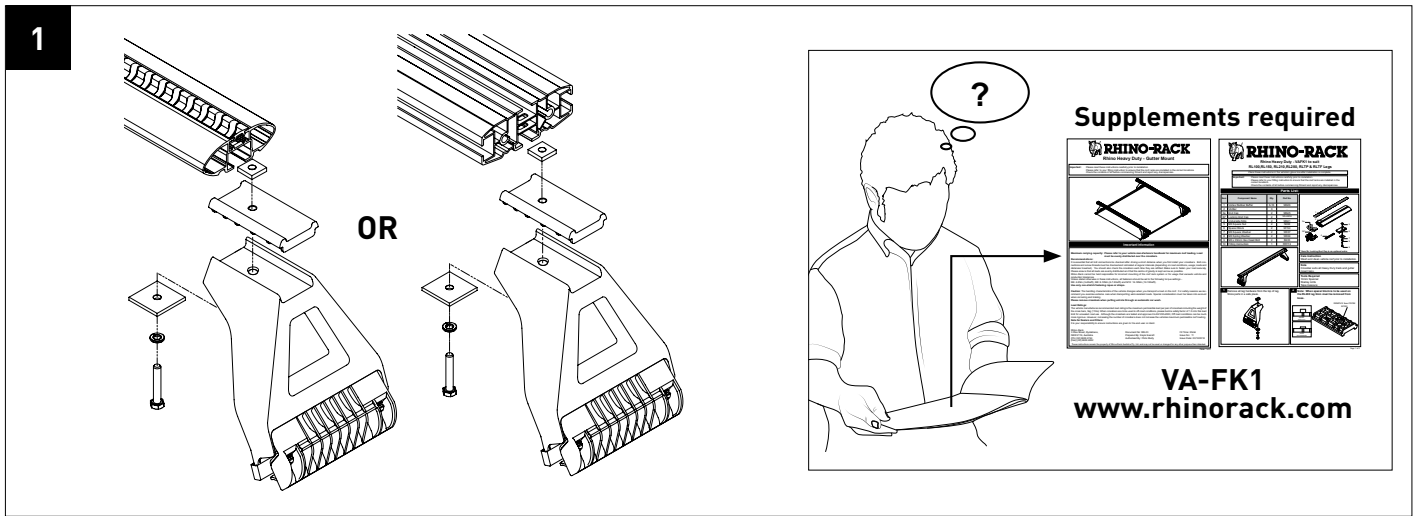
[Youtube.com/Rhinorackaustralia](https://www.youtube.com/Rhinorackaustralia)



**Required Kits (sold as separate)**

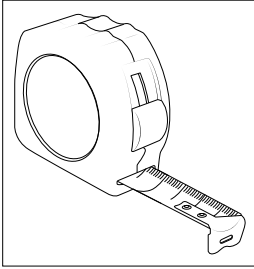
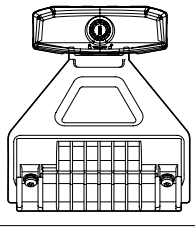


**Instructions**

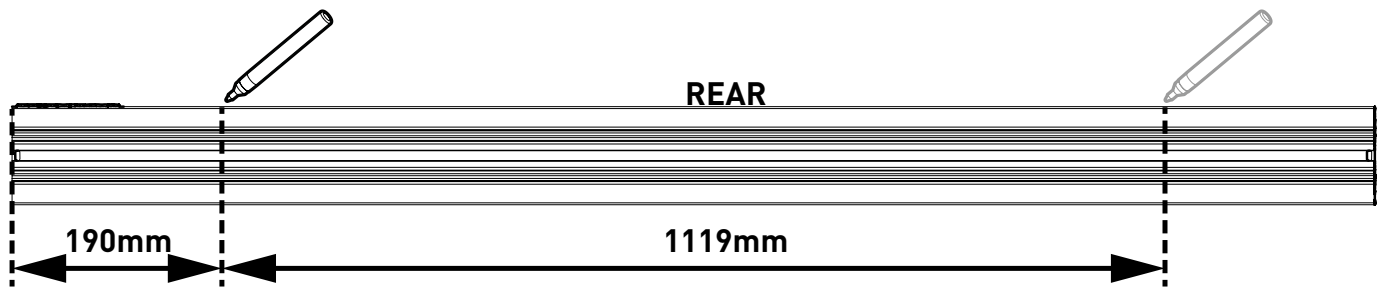
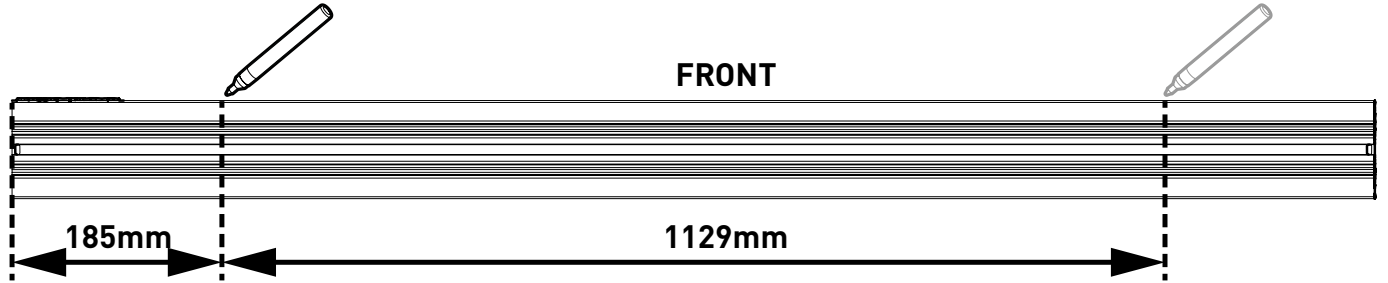
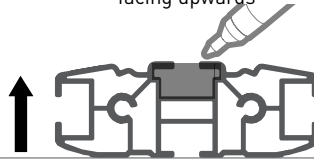


2A

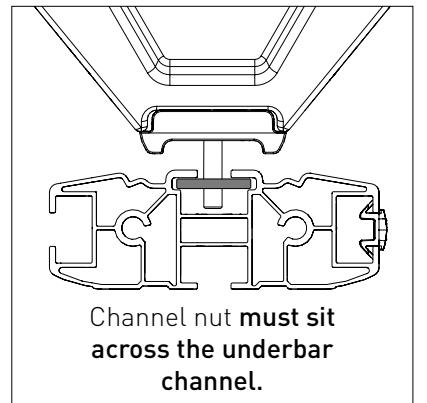
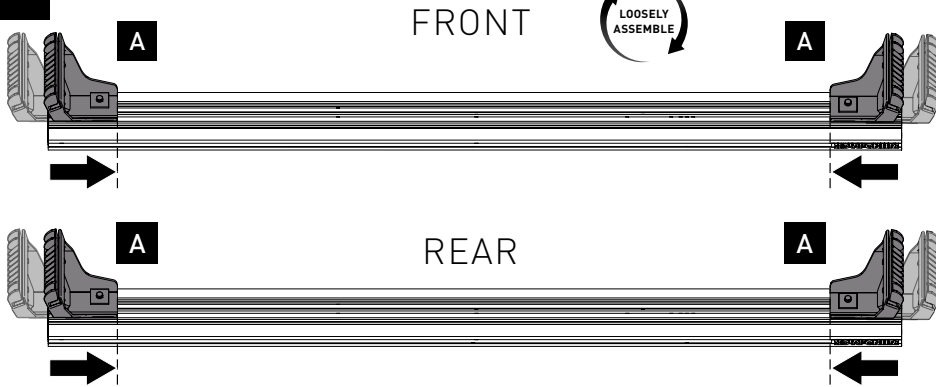
For RDB150:



SIDE VIEW  
Mark with shallow **underbar channel**  
facing upwards

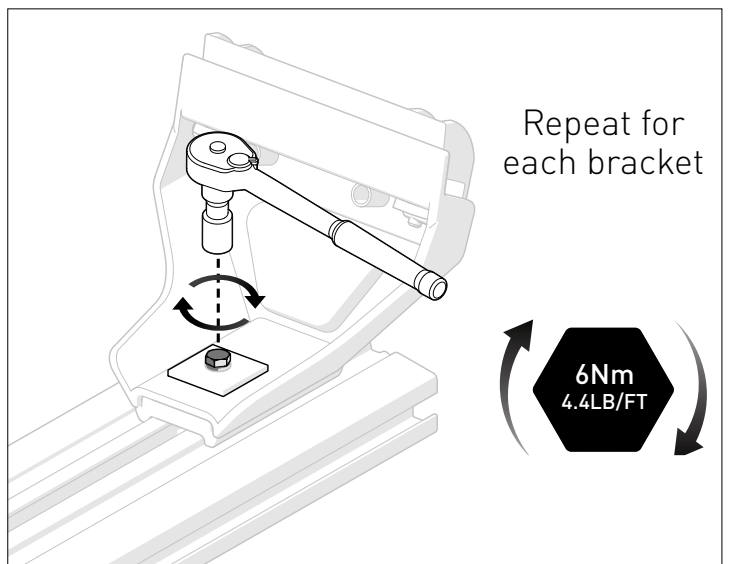
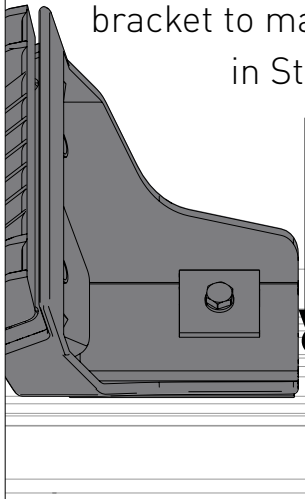


2B

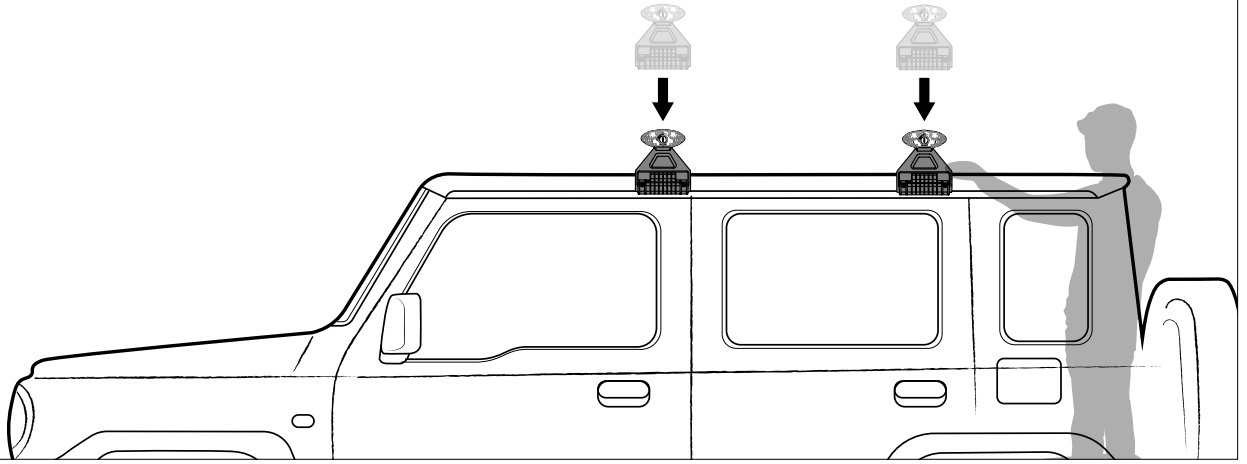


2C

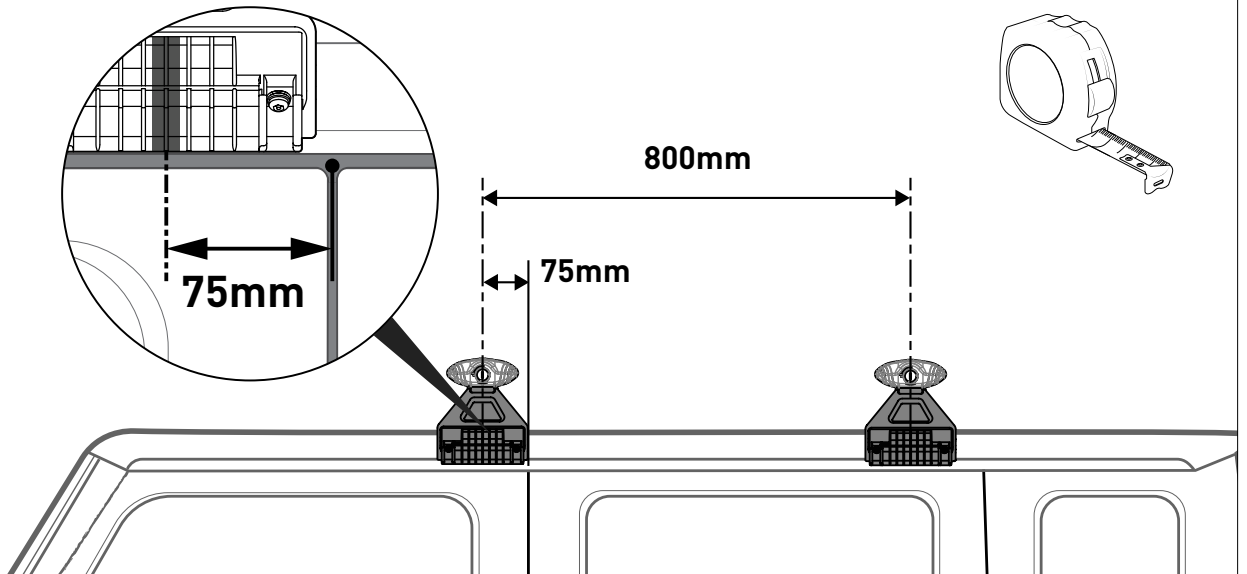
Align edge of gutter mount bracket to markings made in Step **2A**



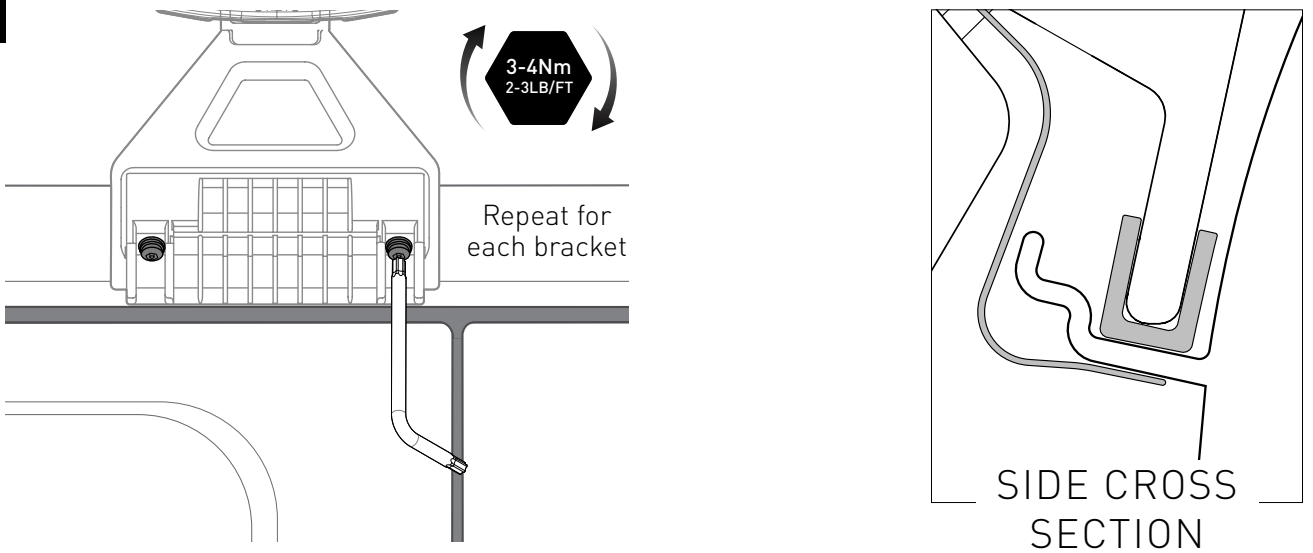
3



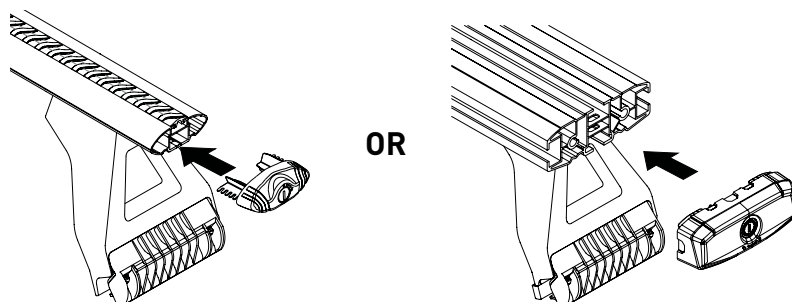
4

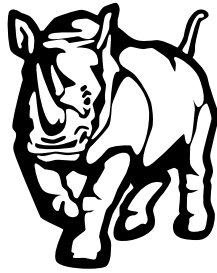


5



6





**RHINO-RACK®**

MAKE SPACE FOR ADVENTURE

**RHINORACK.COM**

**Rhino-Rack AUSTRALIA**

22A Hanson Pl,  
Eastern Creek, NSW, 2766

**Rhino-Rack USA**

19822 E 22nd Ave,  
Aurora, CO, 80011