



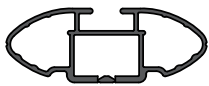
# RHINO-RACK®

## FORD Ranger P703 Double Cab 2022+ Leg Fitting Supplement

REFER TO ONLINE LOAD RATING CALCULATOR AND YOUR VEHICLE OWNERS MANUAL FOR SYSTEM CARRYING CAPACITY

### PARTS/TOOLS REQUIRED:

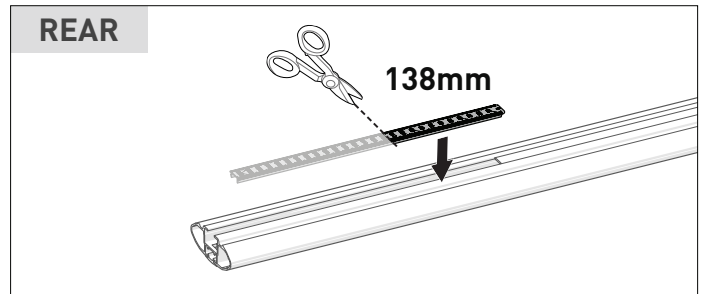
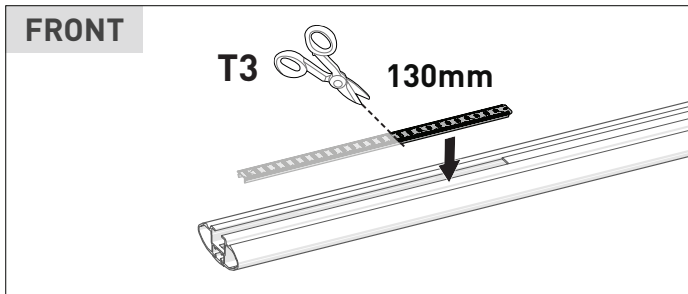
- T1 - Measuring Tape
- T2 - 10mm Spanner
- T3 - Scissors (for Vortex cross bars)
- T4 - Marker (for Heavy Duty cross bars)



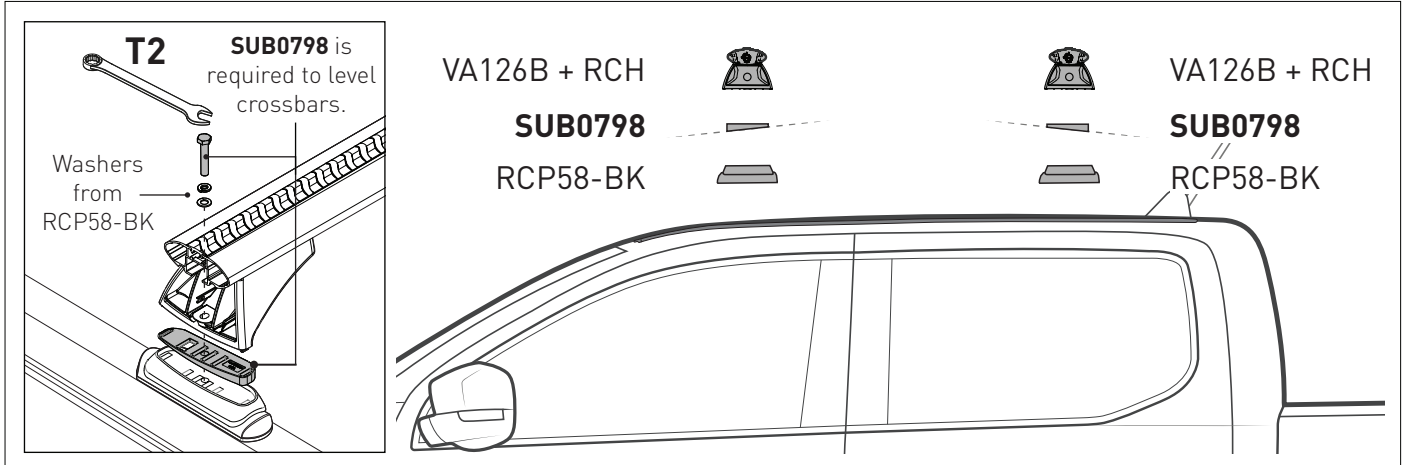
### FOR VORTEX CROSS BARS (HEAVY DUTY ON NEXT PAGE)

REFER TO RCP58-BK FOR BASE KIT TO LEG ATTACHMENT HARDWARE (Items 2. & 3.)

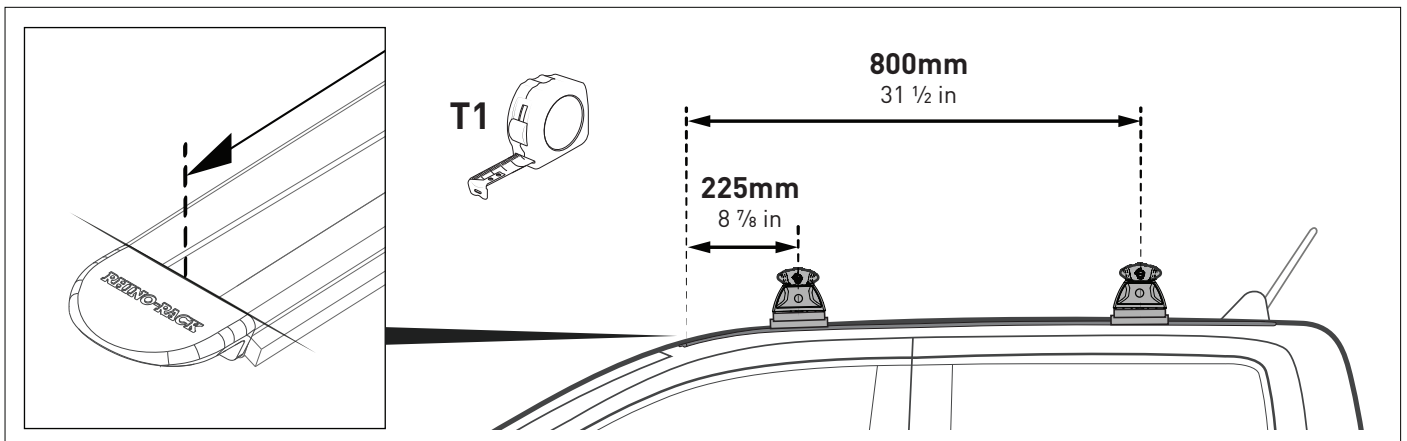
### MEASURING STRIPS:



### LEG ASSEMBLY:



### CROSS BAR DIMENSIONS:

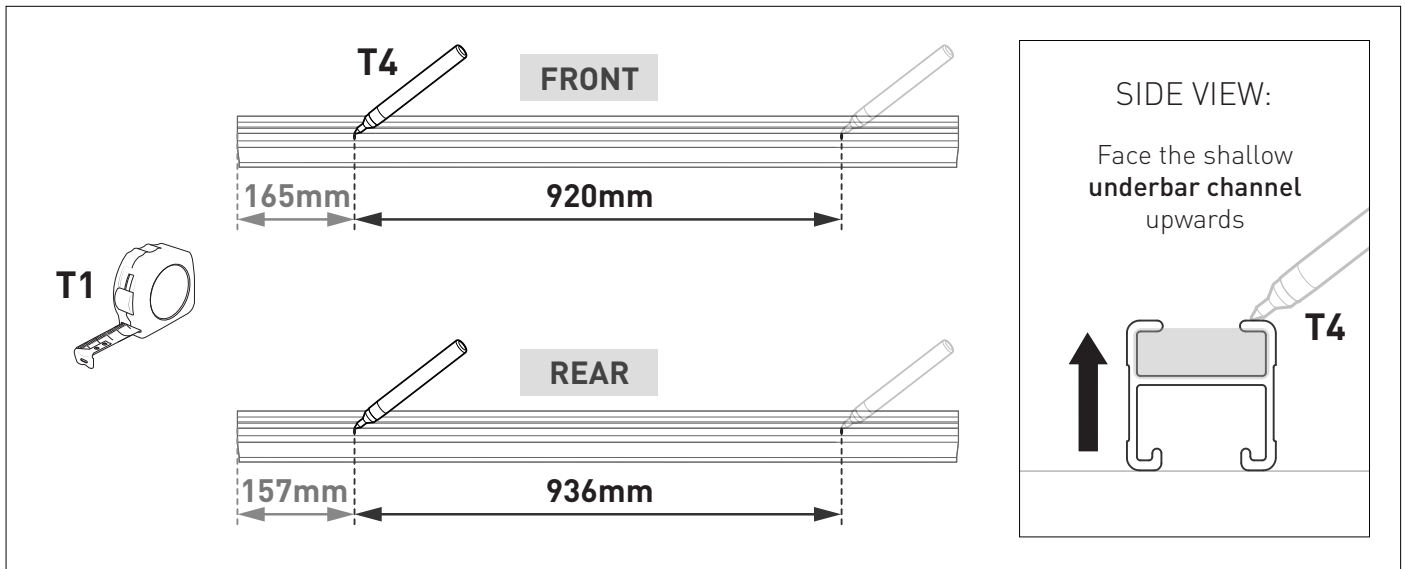




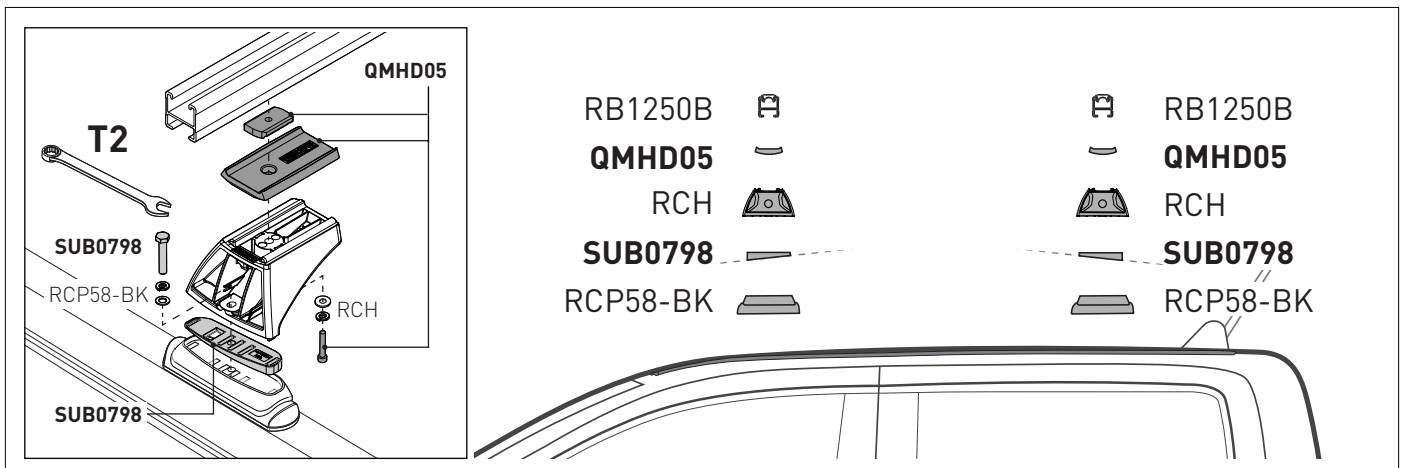
# FOR HEAVY DUTY CROSS BARS

REFER TO [QMHD05 ADAPTOR KIT](#) FOR LEG TO BAR HARDWARE. (Items 1. & 3.)

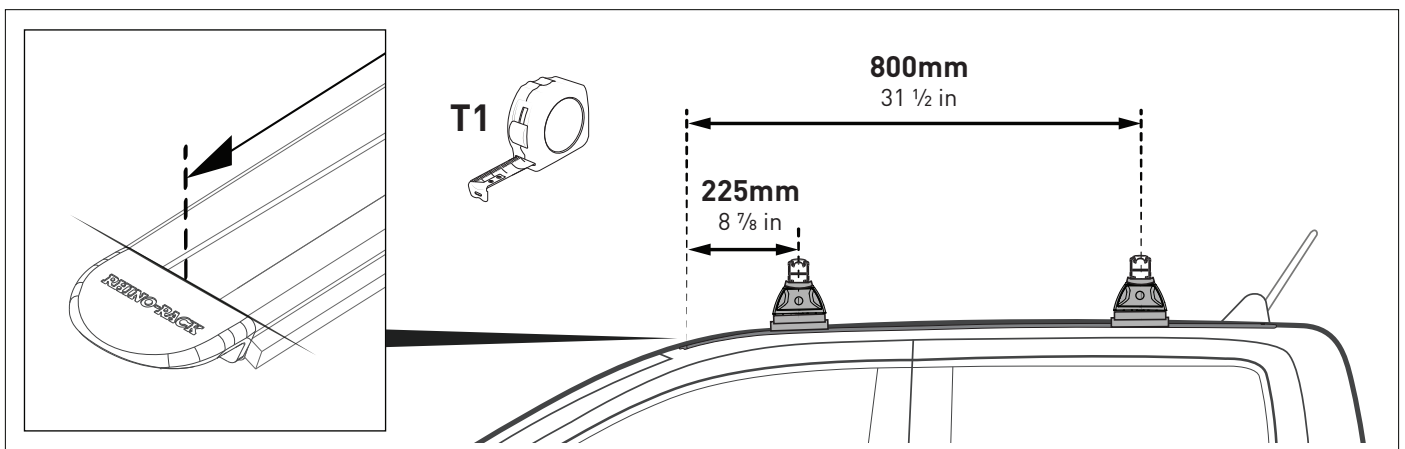
## LEG SPACING DIMENSIONS:



## LEG ASSEMBLY:



## CROSS BAR DIMENSIONS:



**Rhino-Rack AUSTRALIA**  
22A Hanson Pl,  
Eastern Creek, NSW, 2766

**Rhino-Rack USA**  
Unit D, 2450 Airport Blvd,  
Aurora, CO, 80011

Document No: R3171  
Issue No: 01  
Issue Date: 12/04/23