

RHINO-RACK®

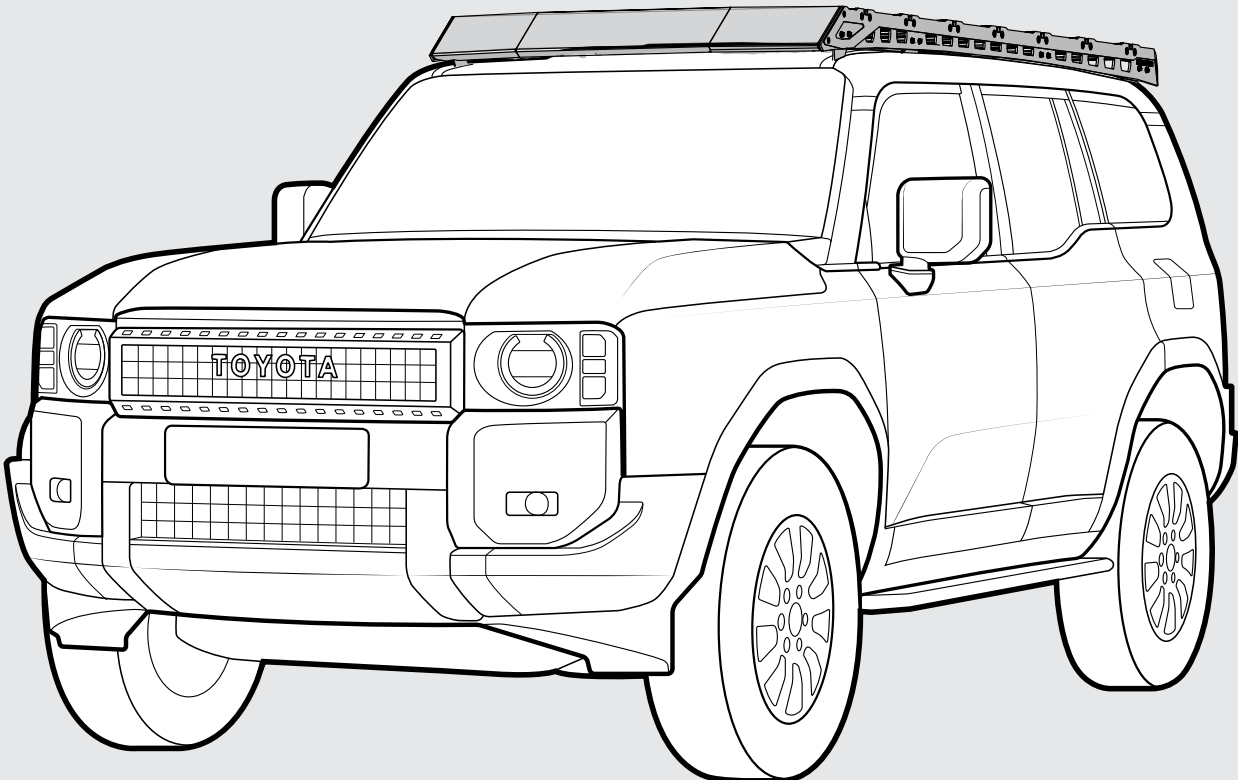
Reconn Platform

Toyota LC J250 (Prado) & Lexus GX 550
63102

Important:

1. Check the Rhino-Rack website to ensure you have the latest issue of these instructions.
2. Please refer to your fitting instruction to ensure that the accessory is installed correctly.
3. Check the contents of kit before commencing fitment and report any discrepancies.
4. Place these instructions in the vehicle's glove box after installation is complete.
5. These instructions must be followed for warranty to be upheld.

Fit Time: 90 mins



RHINORACK.COM

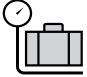
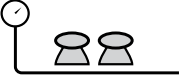


Document No: 520-RFI-00193

Issue No: 02

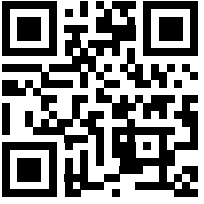
Issue Date: 5/12/2024

Toyota Land Cruiser (Prado) J250 & Lexus GX

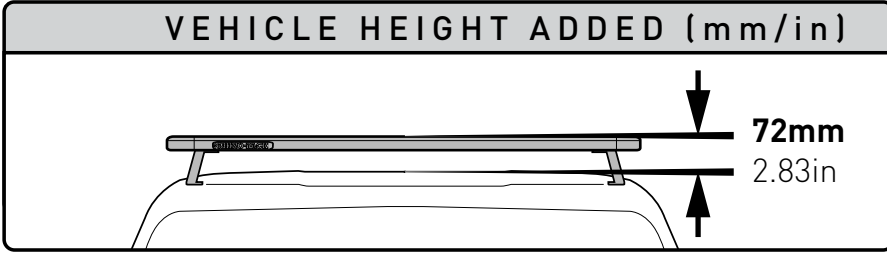
DYNAMIC LOAD LIMIT:
***USE THE VEHICLE MANUFACTURER'S MAXIMUM ROOF ALLOWANCE IF IT IS LOWER THAN THE FIGURE LISTED**

 CARGO	 SYSTEM WEIGHT	 LOAD LIMIT	OR 
UP TO 116KG 256lbs	+ 34KG 75 lbs	=	UP TO 150 KG 331 lbs
			*VEHICLE MANUFACTURER'S ROOF LOAD LIMIT

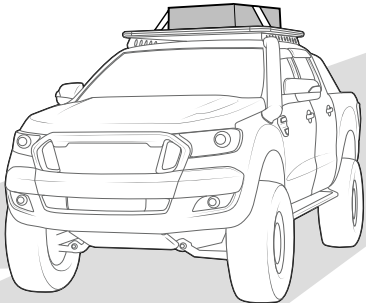
 **STATIC LOAD LIMIT: UP TO 250KG / 551LBS***




VISIT THE ONLINE CALCULATOR FOR CURRENT SYSTEM LOAD LIMIT DATA



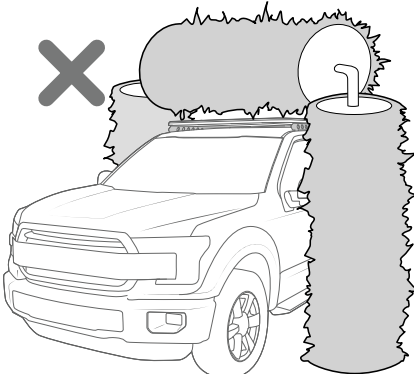
Exercise extreme care when transporting wind-resistant loads. Special consideration must be taken when cornering and braking.



Off-road conditions can be much more rigorous. Extreme care must be taken on any driven path that does not contain a surface protection layer (tar/bitumen).



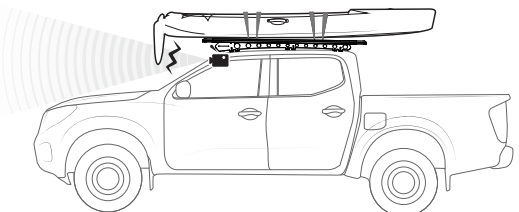
X Racks must be removed when vehicle is put through an automatic car wash.




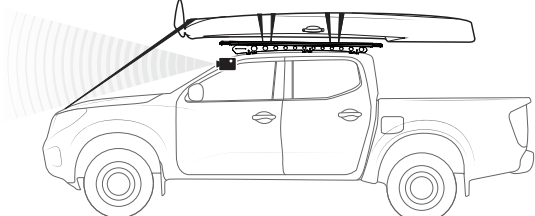
Ensure Ladder is well supported on the ground to support tent. Take extreme caution when climbing heights above 1.2m/4ft.



X Do NOT obstruct windscreen camera sensors



✓  Warranty for roof rack system will be void if the front of the kayak is not secured to the bonnet



Distribute loads evenly and laterally/longitudinally as low as possible over the span.

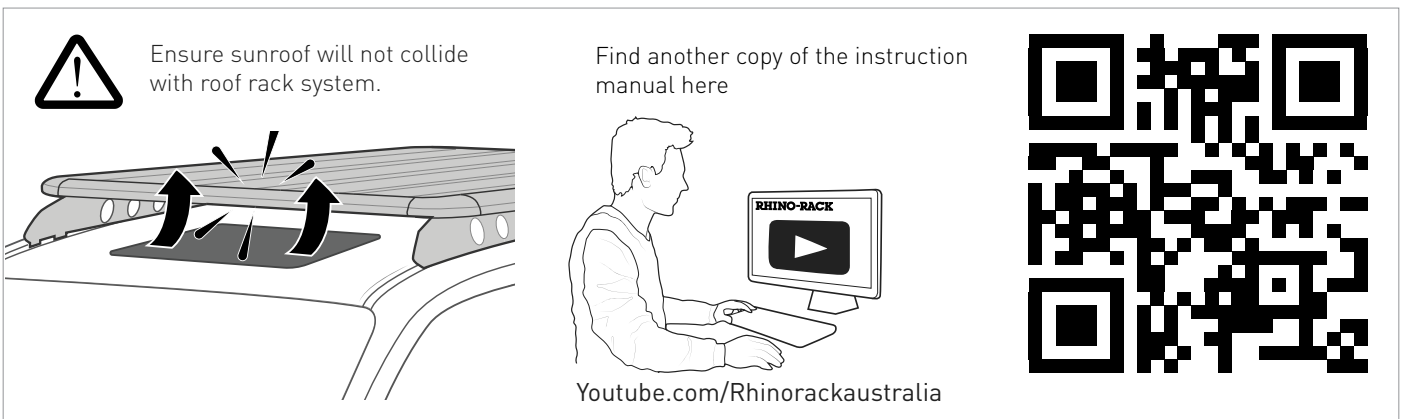
Avoid point loads concentrated at the front or rear.

Long flexible loads must attach securely to rigid support and be tied down to the bonnet

Surfboard Overhang > 600mm must be tied to the bonnet

Loads must be tied down to Platform, **NOT** around Backbone

Use only non-stretch fastening ropes or straps to attach cargo to roof racks



In service maintenance checks

- All bolts should be checked after driving a short distance when you first install your roof racks ensure none have loosened.
- All bolted connections should be checked again at regular intervals (weekly is recommended, depending on road conditions, usage, loads and distances travelled).
- All bolted connections should be checked each time they are re-fitted.
- Off-road conditions are more rigorous. Check all bolted connections and your load more regularly.
- Ensure that your total vehicle manufacturer's GVM (gross vehicle mass) and gross axle weights are not exceeded (refer to vehicle owner's manual).

Note for Dealers and Fitters

It is your responsibility to ensure these fitting instructions are given to the end user or client. These instructions remain the property of Rhino-Rack Australia Pty. Ltd. and may not be changed or used for any other purpose than intended.

Torque Settings

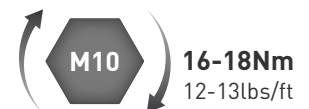
Throughout this instruction manual, an impact driver can be used to speed up installation. However, it is important to ensure that the final turns are completed with a torque wrench to achieve the required torque rating.

Take caution when using an impact driver, as excessive torque can result in stripped threads.



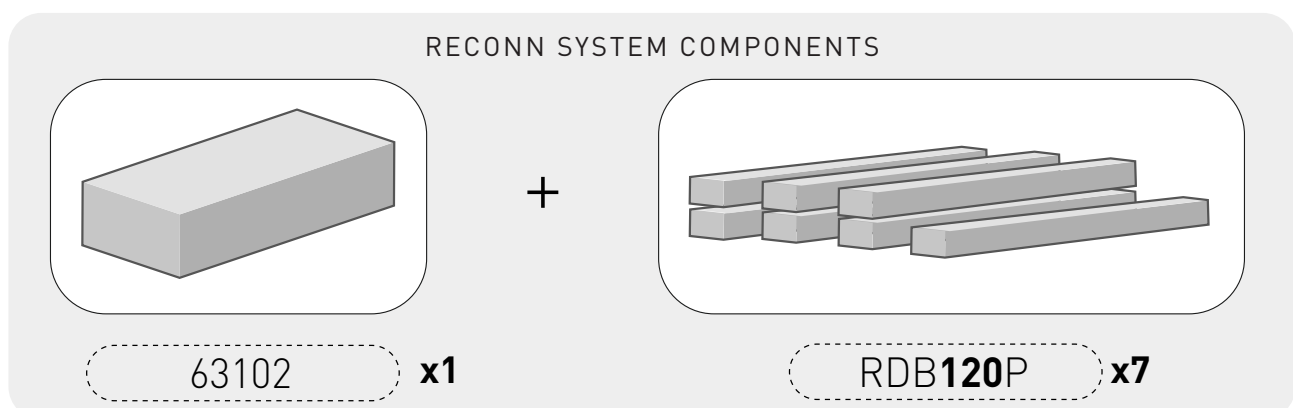
Torque Settings:

Unless stated otherwise in these instructions, all fasteners should be set to the following torque settings:

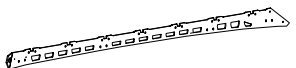

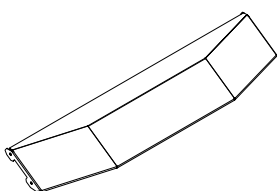
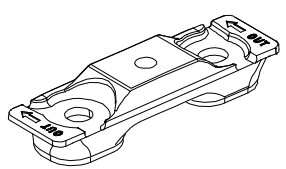

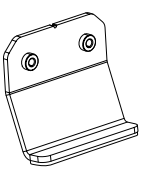
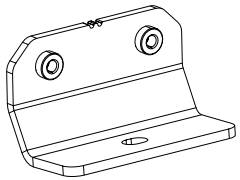

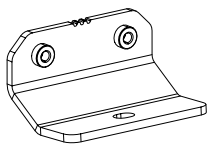
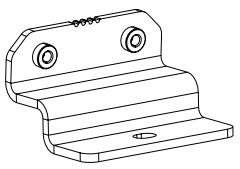
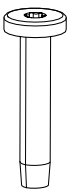
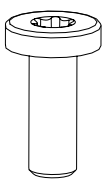
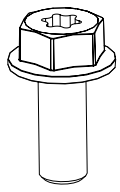
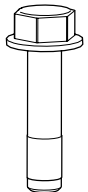

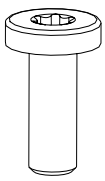
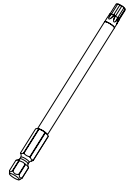
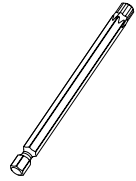
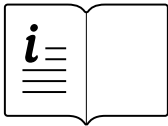


What you should have

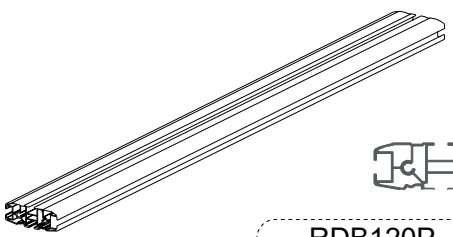
To complete this build/ fit you will need.



Parts List

<p>Blade - Left Side</p>  <p>A x1</p>	<p>Blade - Right Side</p>  <p>B x1</p>	<p>Fairing Weldment</p>  <p>C x1</p>	<p>Cast Mounting Block with Gasket</p>  <p>D x6</p>
<p>Trim Plate</p>  <p>E x2</p>	<p>Adhesive Leg</p>  <p>F x2</p>	<p>Front Leg</p>  <p>G x2</p>	<p>Stiffening Plate</p>  <p>H x2</p>
<p>Middle Leg</p>  <p>I x2</p>	<p>Rear Leg</p>  <p>J x2</p>	<p>M8 x 40 Torx Socket Trilobular Screw</p>  <p>K x28</p>	<p>M8 x 20 Torx Socket Screw</p>  <p>L x16</p>
<p>M8 x 20 Hex Head Flanged Bolt with T40</p>  <p>M x6</p>	<p>M8 X 35MM Hex Head Flanged Bolt</p>  <p>N x12</p>	<p>M8 x 16mm Flat Washer</p>  <p>O x16</p>	<p>M6 x 16 Torx Socket Screw</p>  <p>P x4</p>
<p>T30 x 100mm Torx Drive 1.4 Hex Driver</p>  <p>Q x1</p>	<p>T40 x 100mm Torx Drive 1.4 Hex Driver</p>  <p>R x1</p>	<p>Instruction</p>  <p>S x1</p>	

Reconn Deck Bar



RDB120P x7

Tools Required:

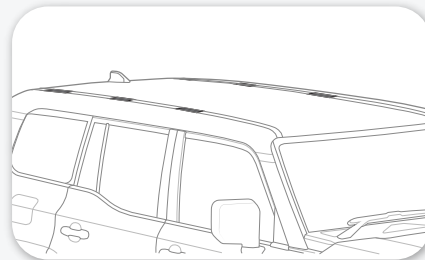
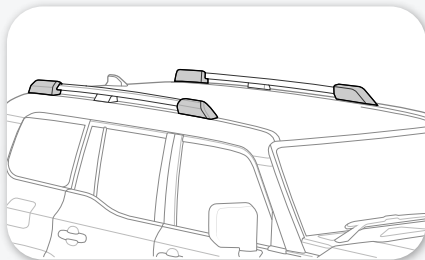
- T1 - Tape Measure
- T2 - Cutting Tool
- T3 - Marker/Pen
- T4 - Flat Head Screw Driver
- T5 - Impact Driver
- T6 - 13mm Socket Wrench
- T7 - Cleaning Rag
- T8 - Pointed Trim Tool
- T9 - Trim Tool - Fork Head
- T10 - 12mm Socket Wrench
- T11 - Torque Wrench
- T12 - 10mm Socket Wrench
- T-13 Masking Tape

RAISED RAIL

FLUSH RAIL

BARE ROOF

P1

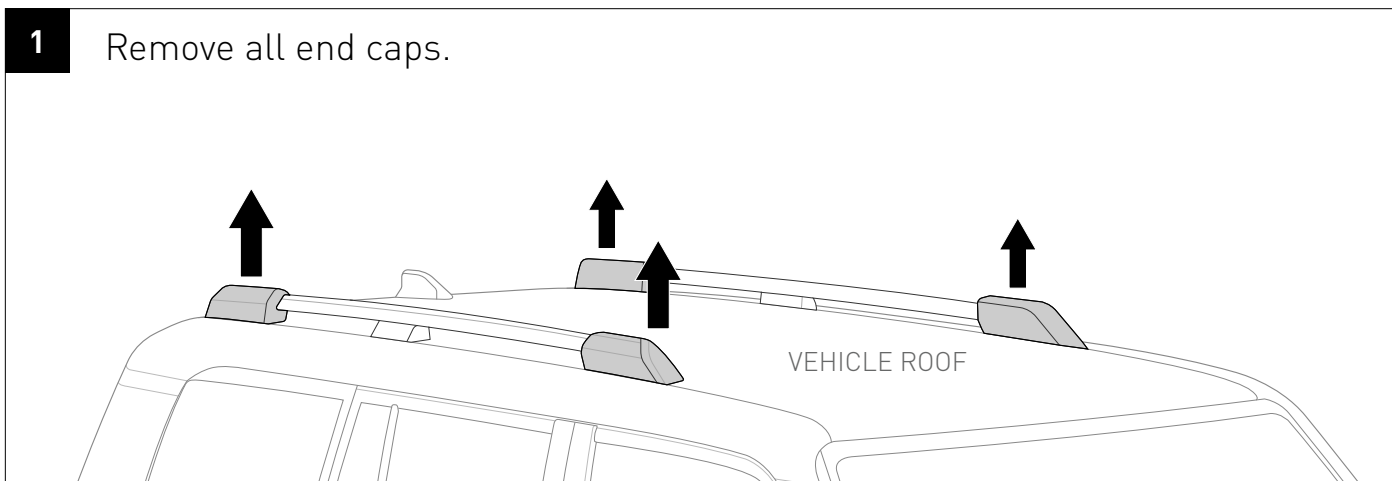


Go to **Steps 1 - 4**

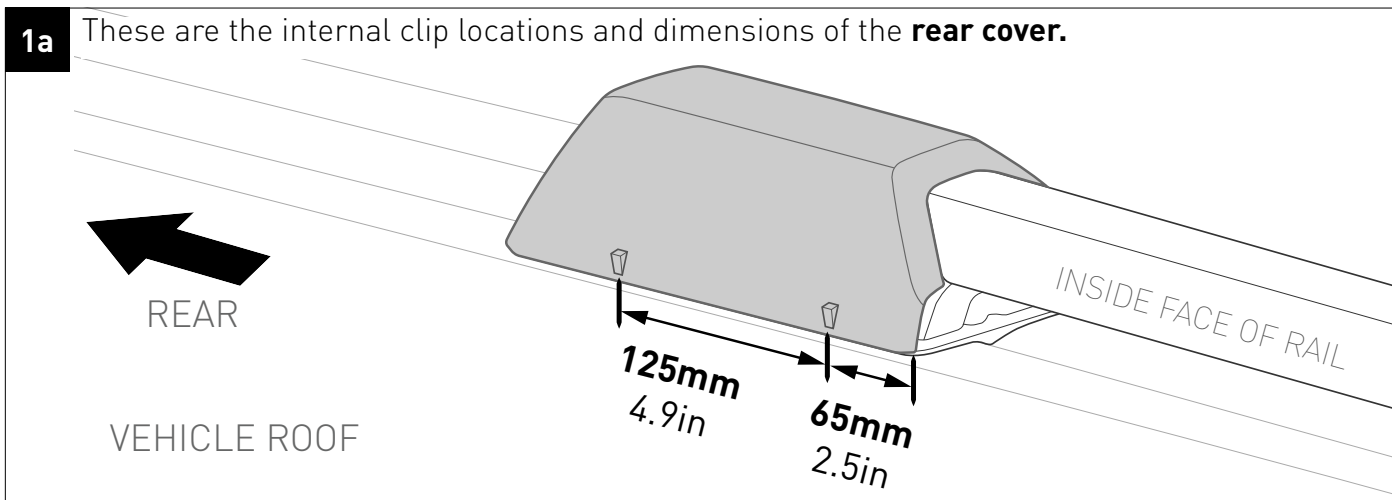
Skip to **Steps 5 - 7**

Skip to **Steps 8 - 9**

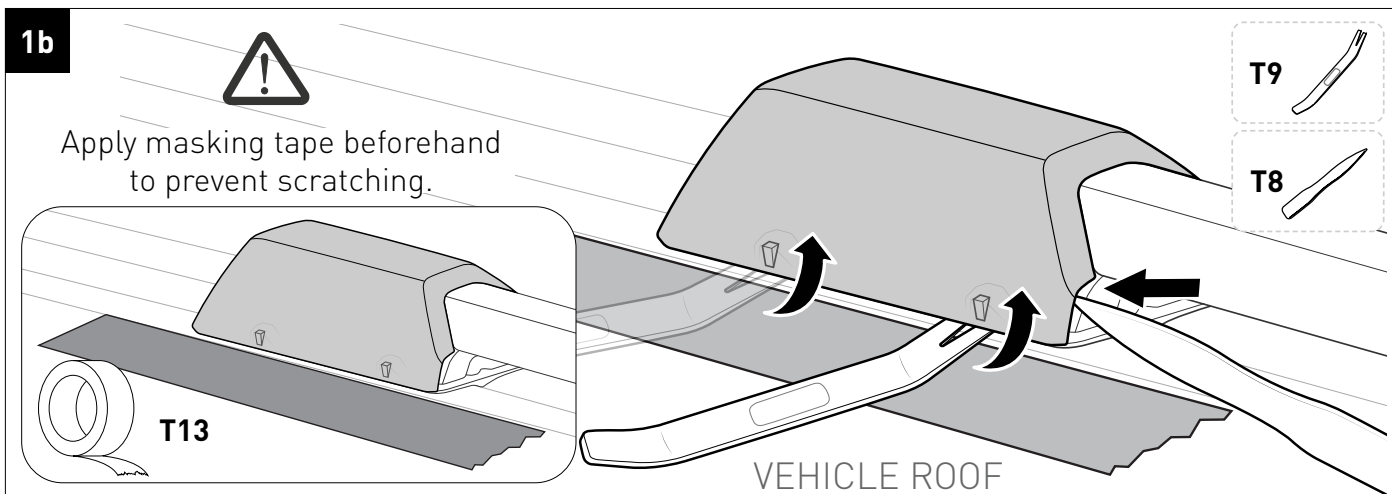
1 Remove all end caps.



1a These are the internal clip locations and dimensions of the **rear cover**.



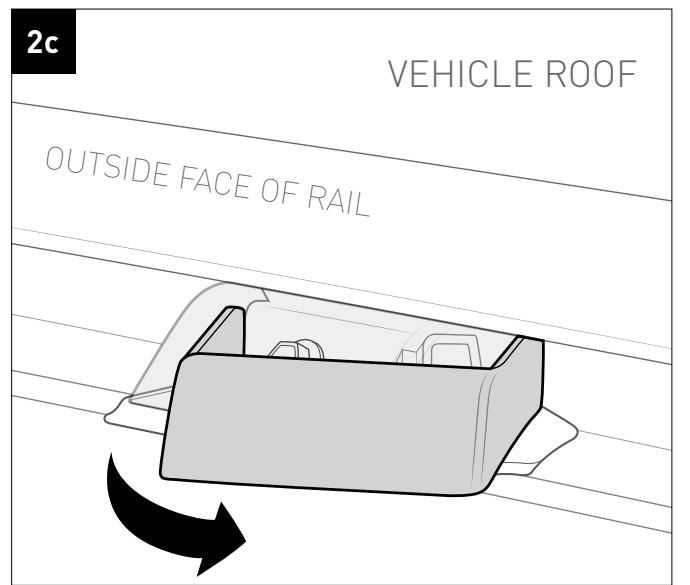
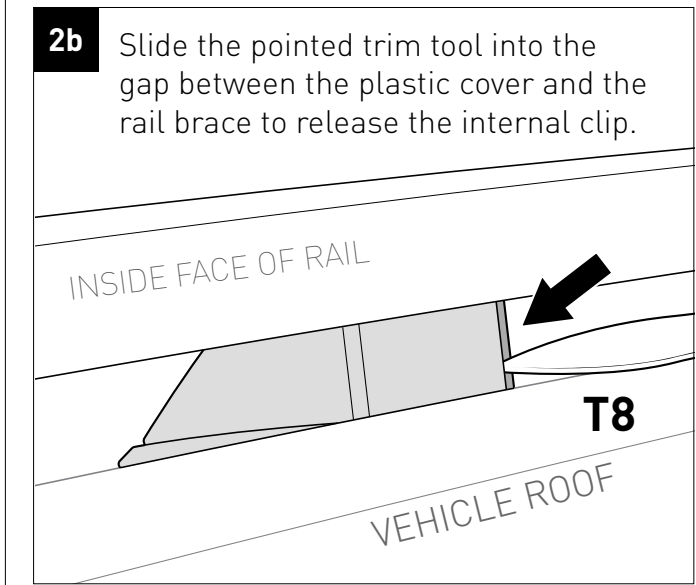
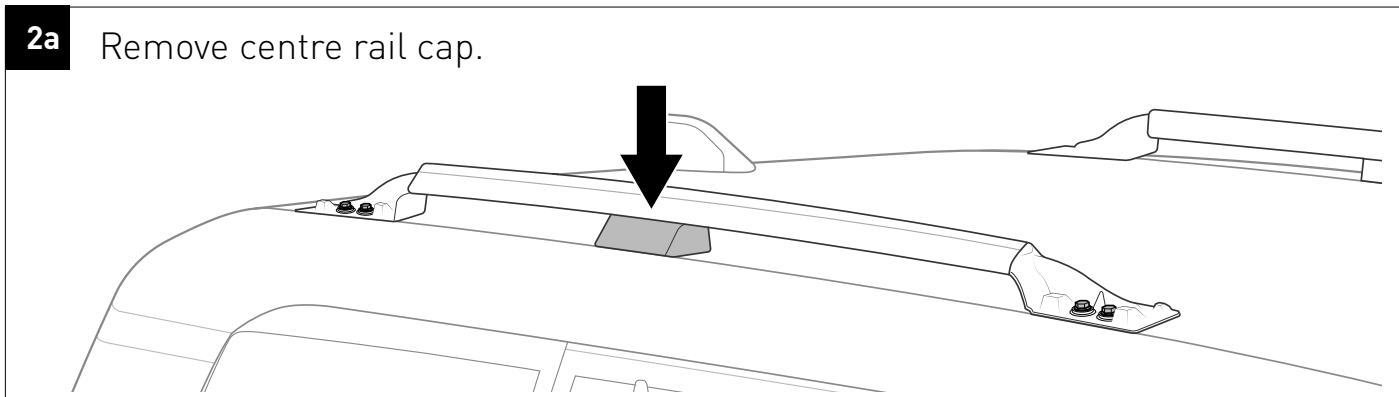
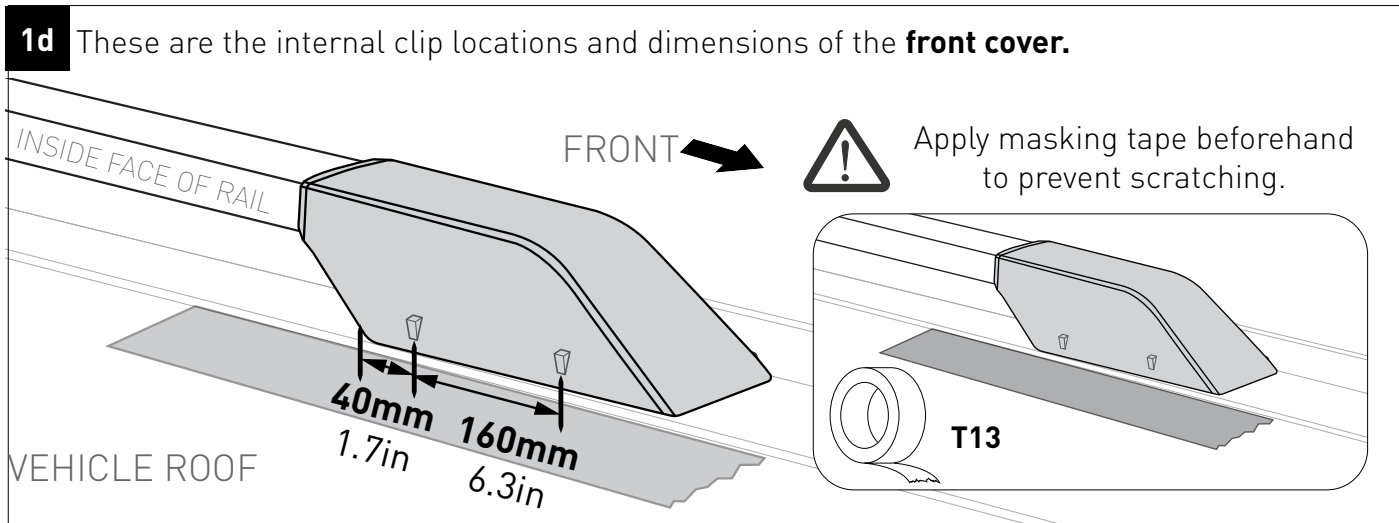
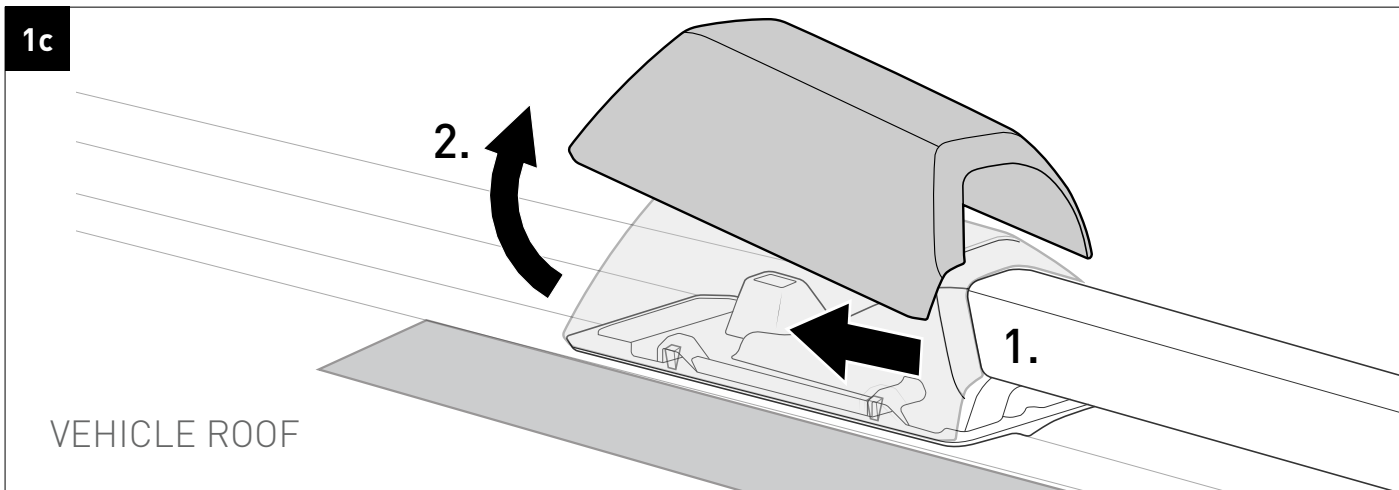
1b  Apply masking tape beforehand to prevent scratching.



T9

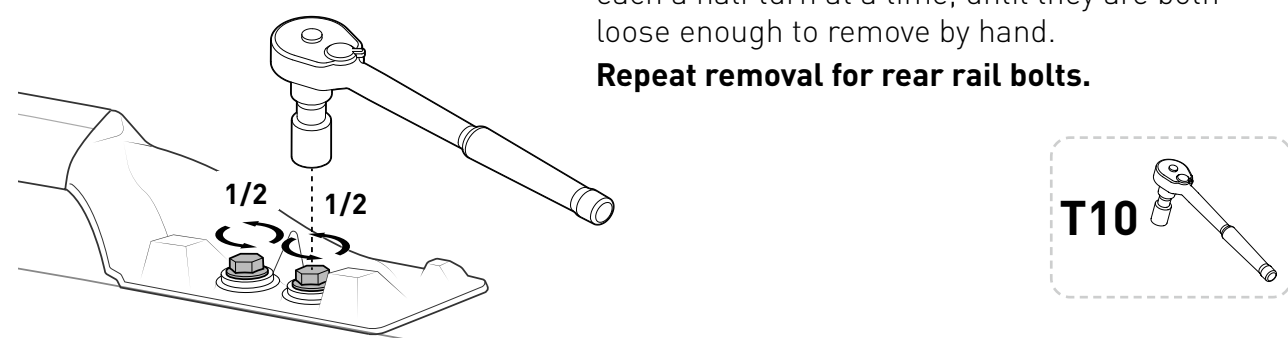
T8

T13



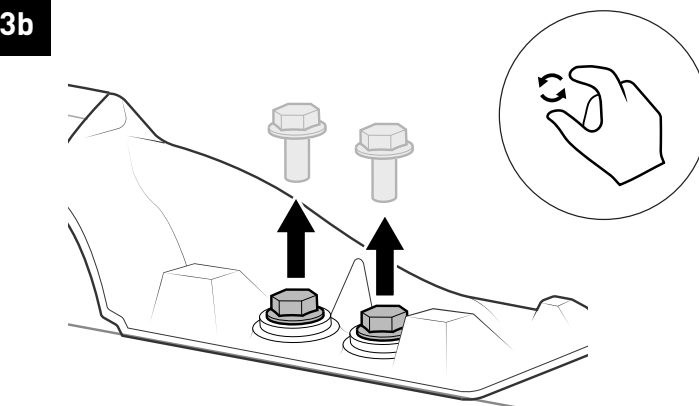
3a Break both bolts loose, incrementally turning each a half turn at a time, until they are both loose enough to remove by hand.

Repeat removal for rear rail bolts.



T10

3b

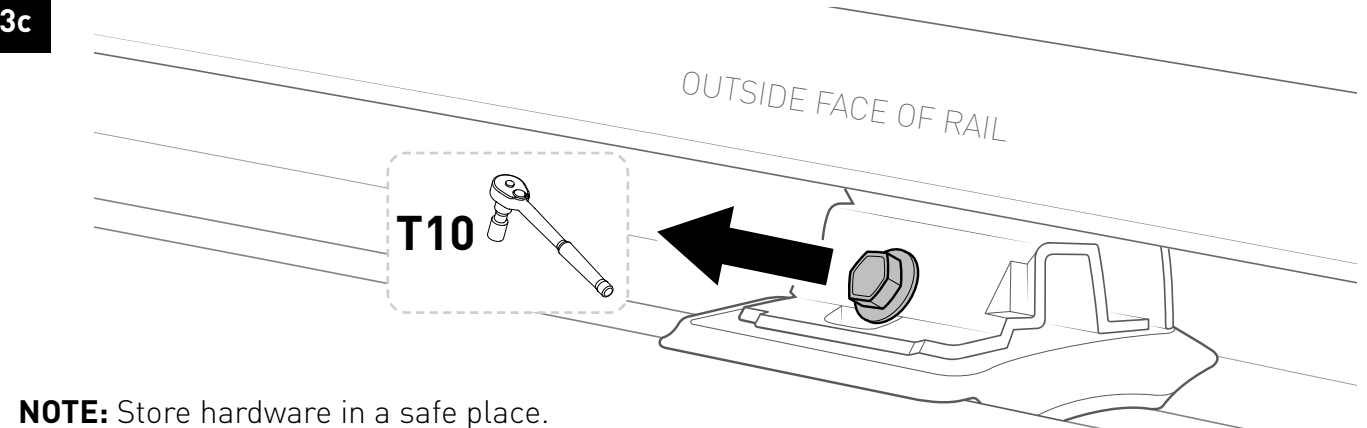


Ensure both bolts are loose before removing either bolt completely.

Failure to do so may lead to the internal threaded roof plate being dislodged.

NOTE: Store hardware in a safe place.

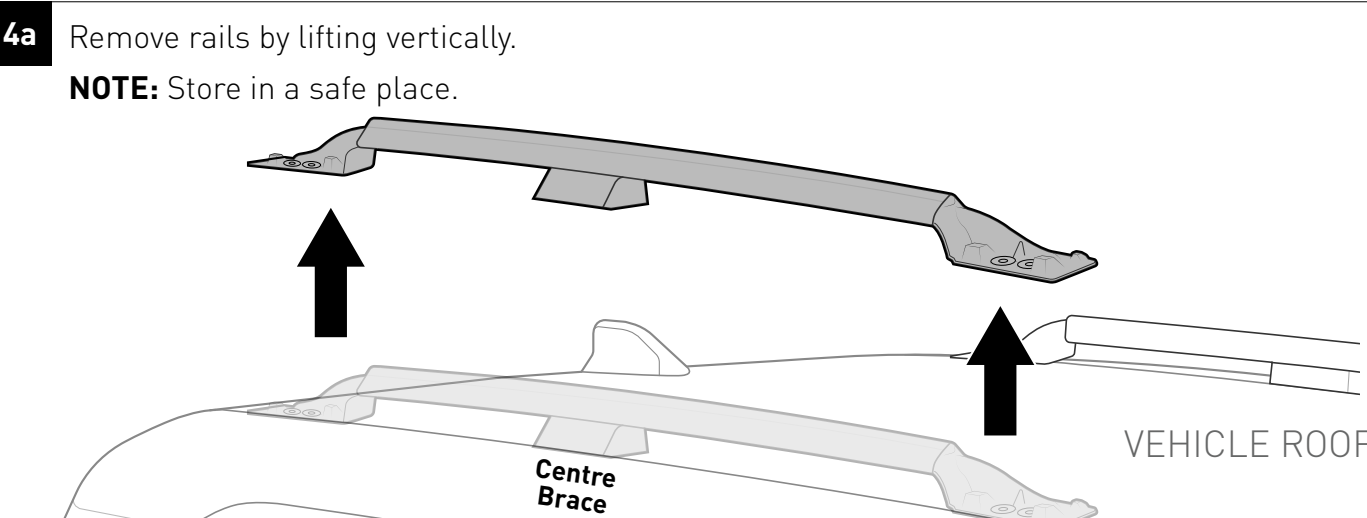
3c



NOTE: Store hardware in a safe place.

4a Remove rails by lifting vertically.

NOTE: Store in a safe place.

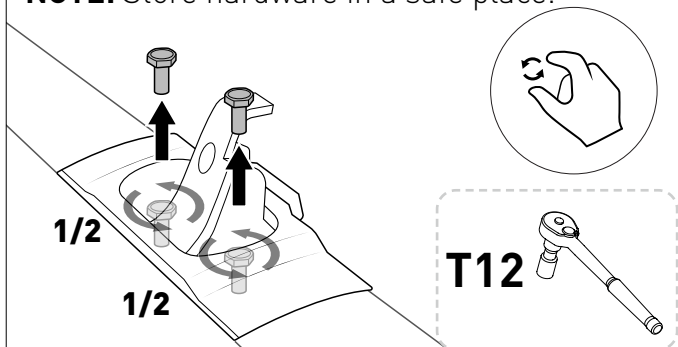


Centre Brace

VEHICLE ROOF

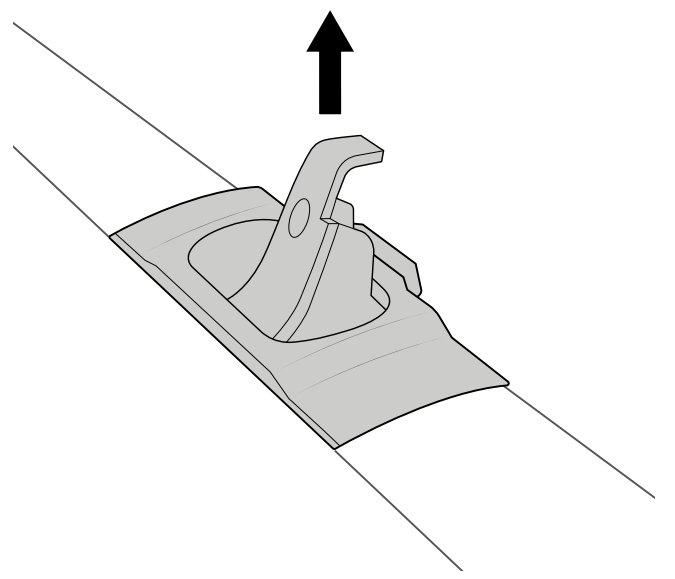
4b Break both bolts loose, incrementally turning each a half turn at a time, until they are both loose enough to remove by hand.

NOTE: Store hardware in a safe place.



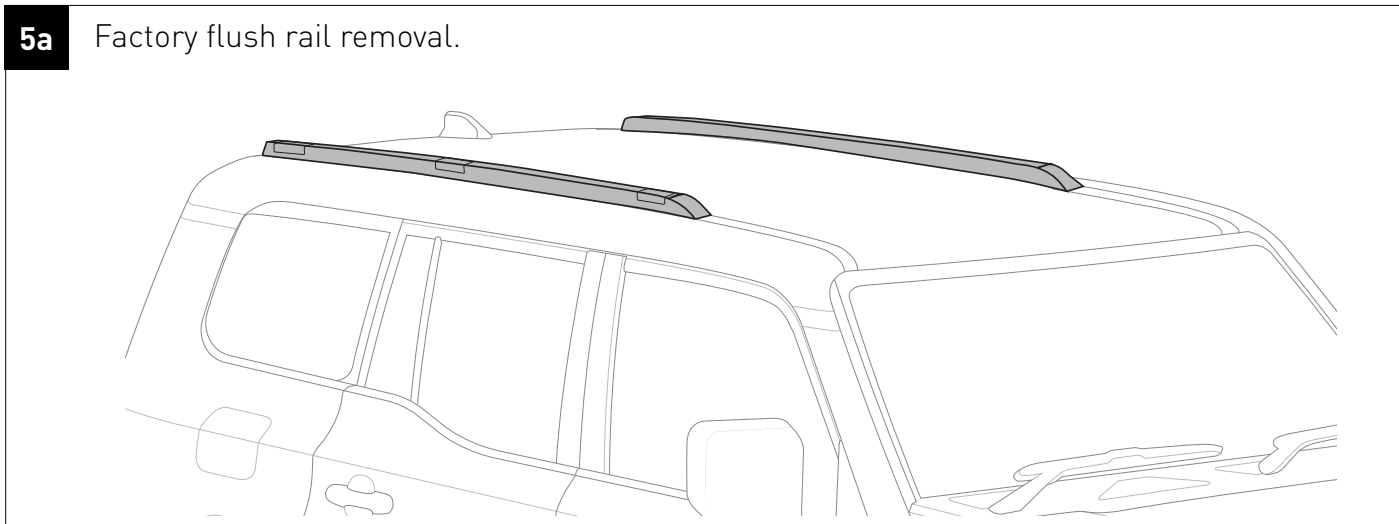
Ensure both bolts are loose before removing either bolt completely. Failure to do so may lead to the internal threaded roof plate being dislodged.

4c

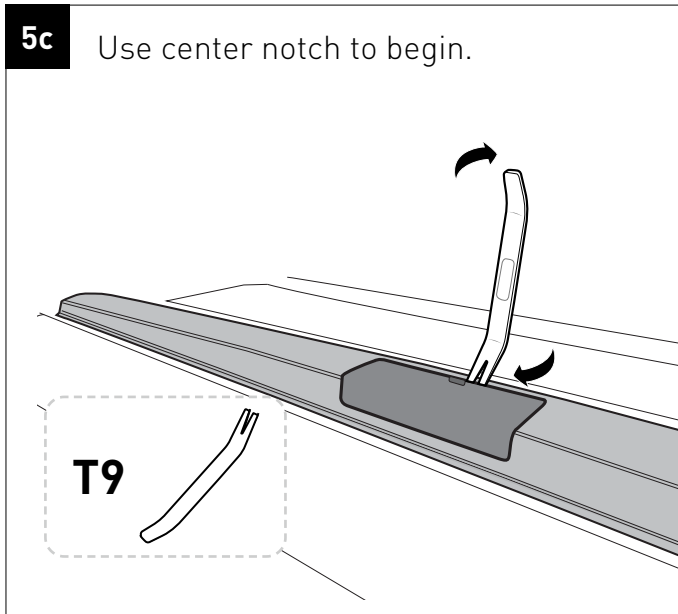


Raised Rail Removal Complete. **Skip to step 10**

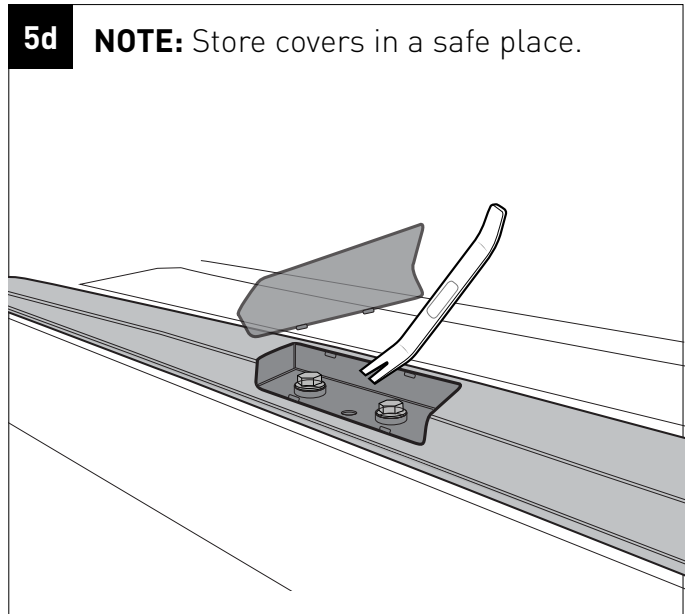
5a Factory flush rail removal.



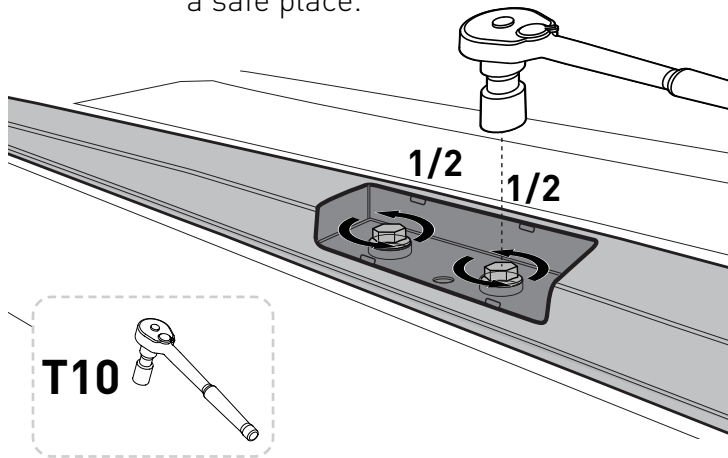
5c Use center notch to begin.



5d **NOTE:** Store covers in a safe place.



6a **NOTE:** Store hardware in a safe place.



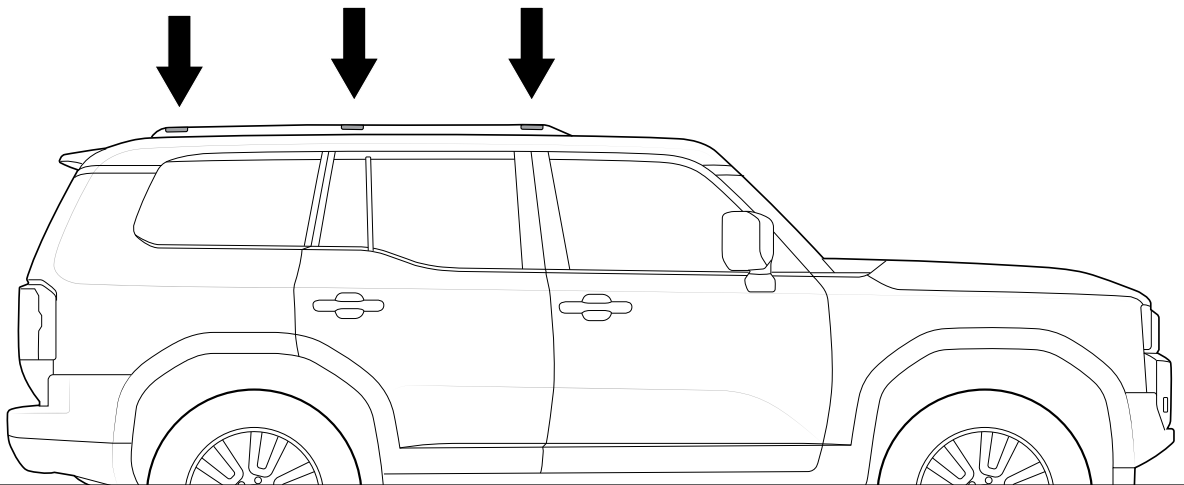
Break both bolts loose, incrementally turning each a half turn at a time, until they are both loose enough to remove by hand.



Ensure both bolts are loose before removing either bolt completely.

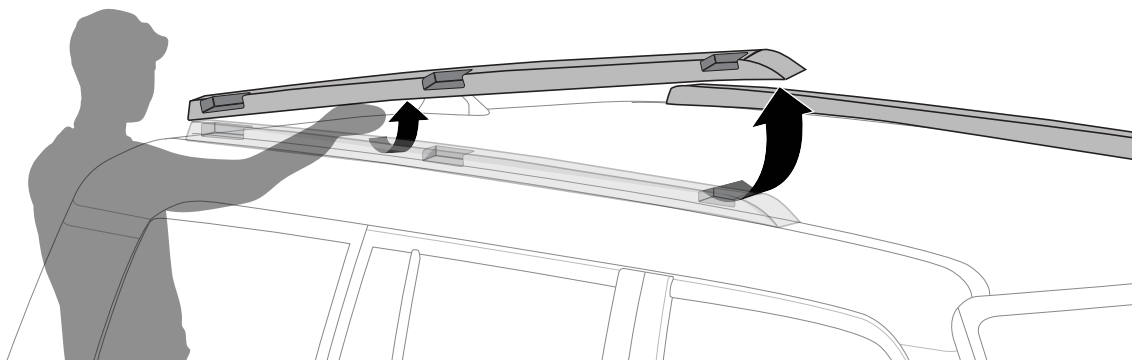
Failure to do so may lead to the internal threaded roof plate being dislodged.

6b Remove mounting point **covers and bolts** on both sides (three per side).



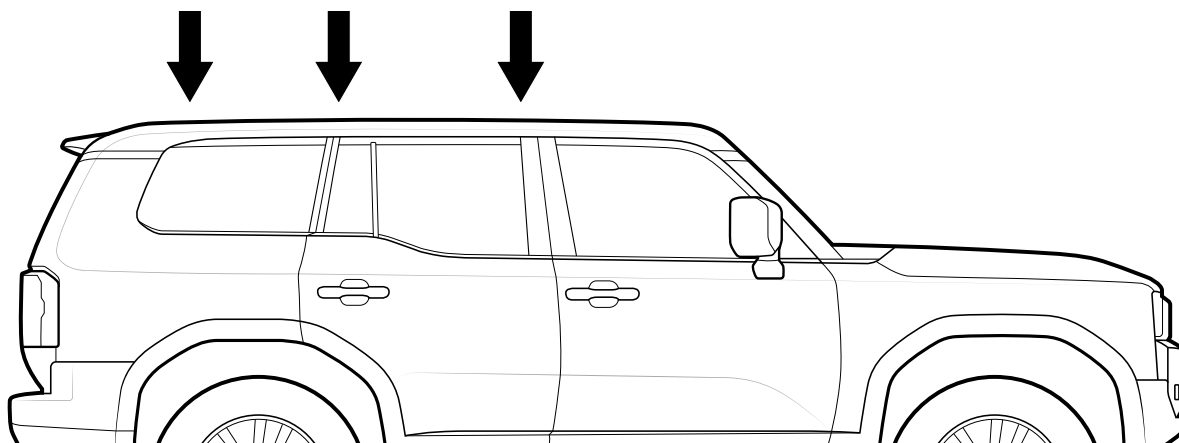
7 Remove rails by lifting vertically. Repeat for **both rails**.

NOTE: Store in a safe place.

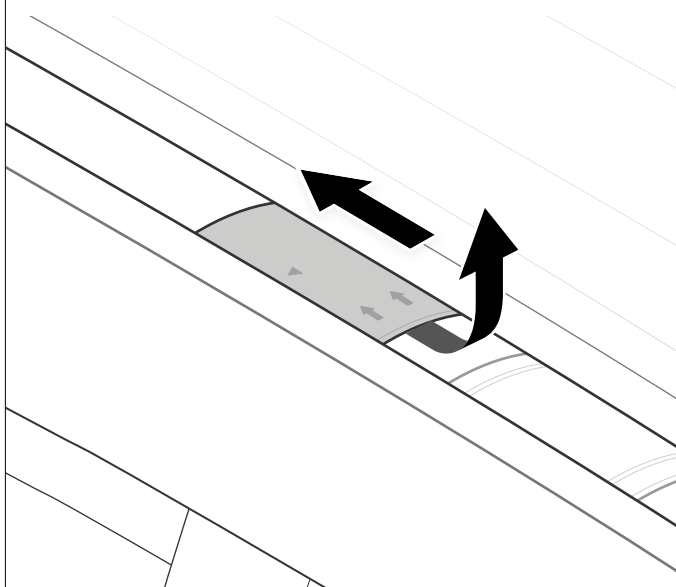


Flush Rail Removal Complete. Skip to step 10 .

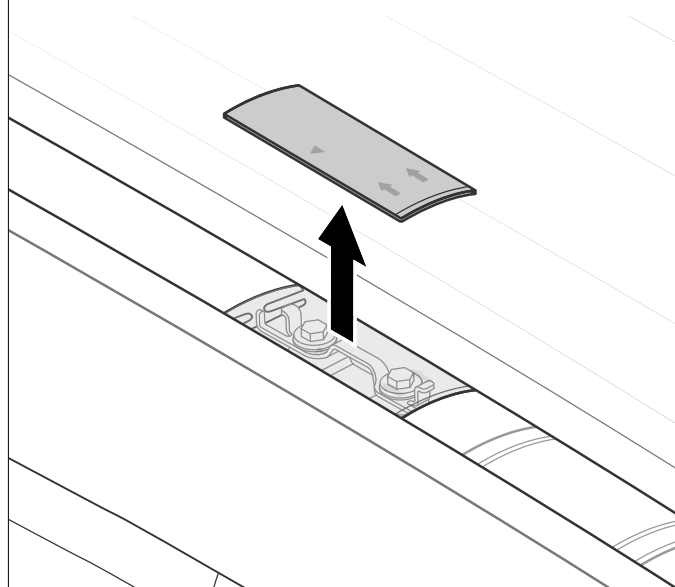
8a Remove mounting point covers (three per side).



8b Lift end while pushing in the direction of the arrow.



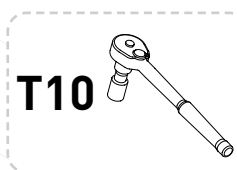
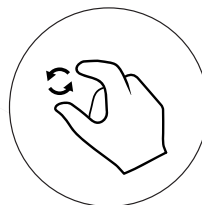
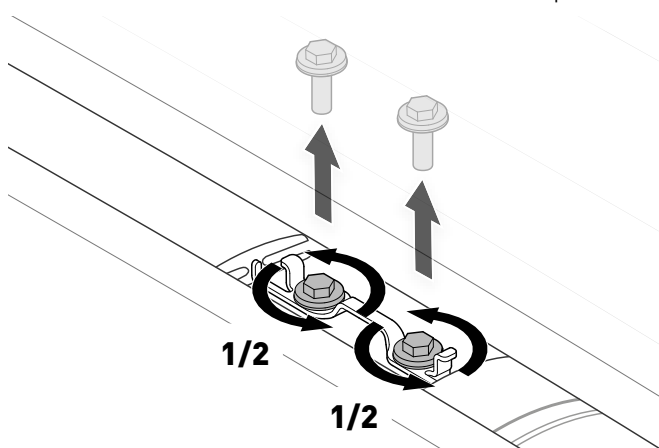
8c **NOTE:** Store covers in a safe place.



9a Break both bolts loose, incrementally turning each a half turn at a time, until they are both loose enough to remove by hand.

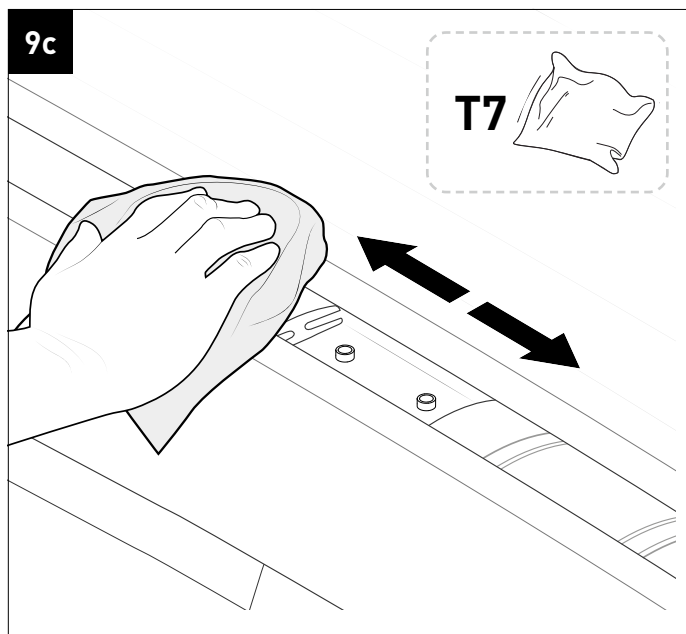
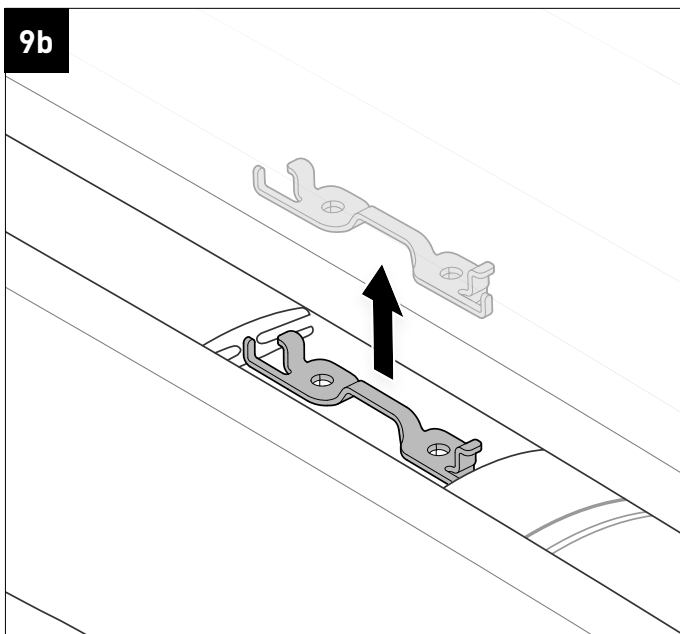
Remove factory bolts and hooks from selected mounting points.

NOTE: Store hooks and hardware in a safe place.



Ensure both bolts are loose before removing either bolt completely.

Failure to do so may lead to the internal threaded roof plate being dislodged.



Bare Roof Removal Complete.

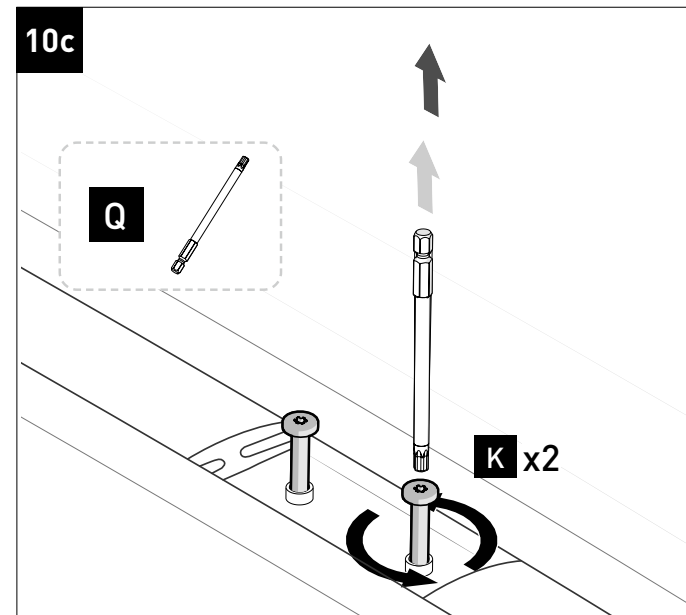
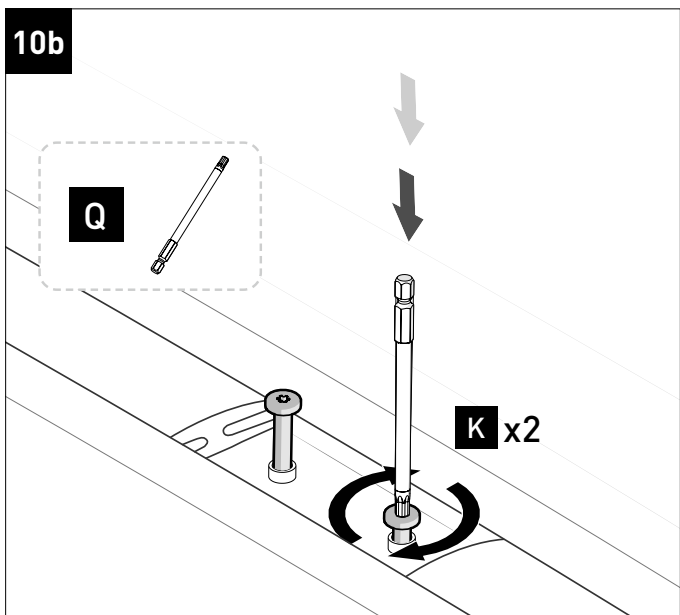
10a Use tapping screws **K** to remove any threadlock buildup from the existing thread .

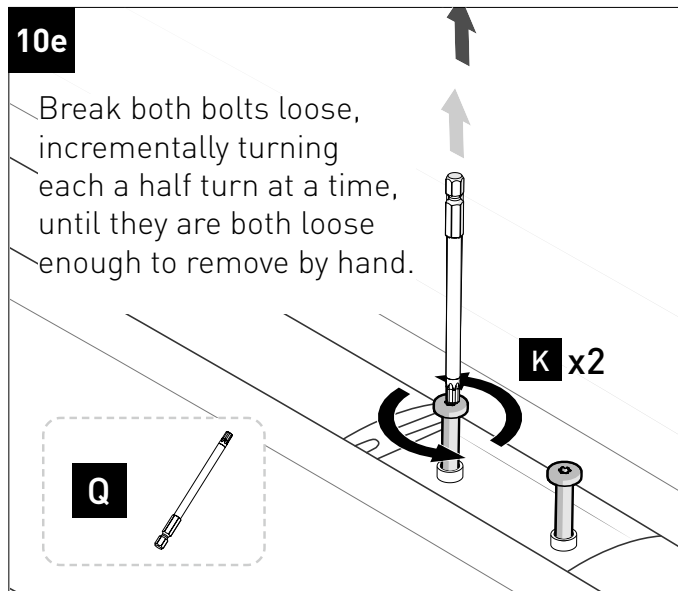
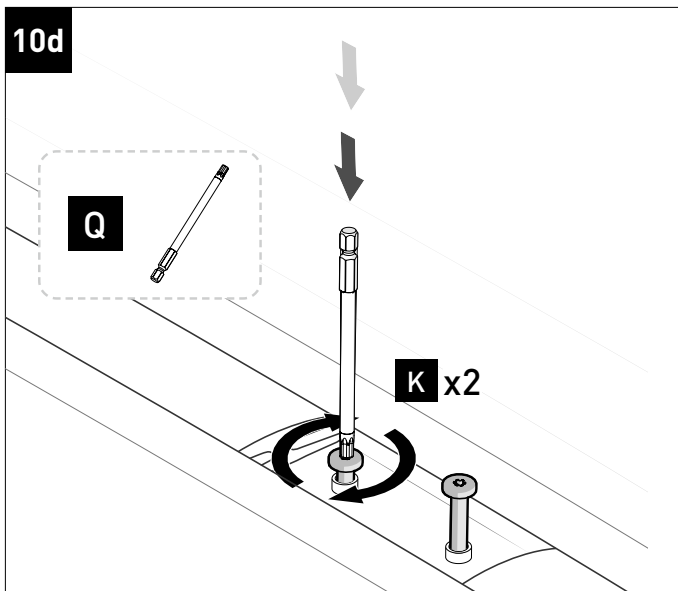
K x2

FINGER TIGHT

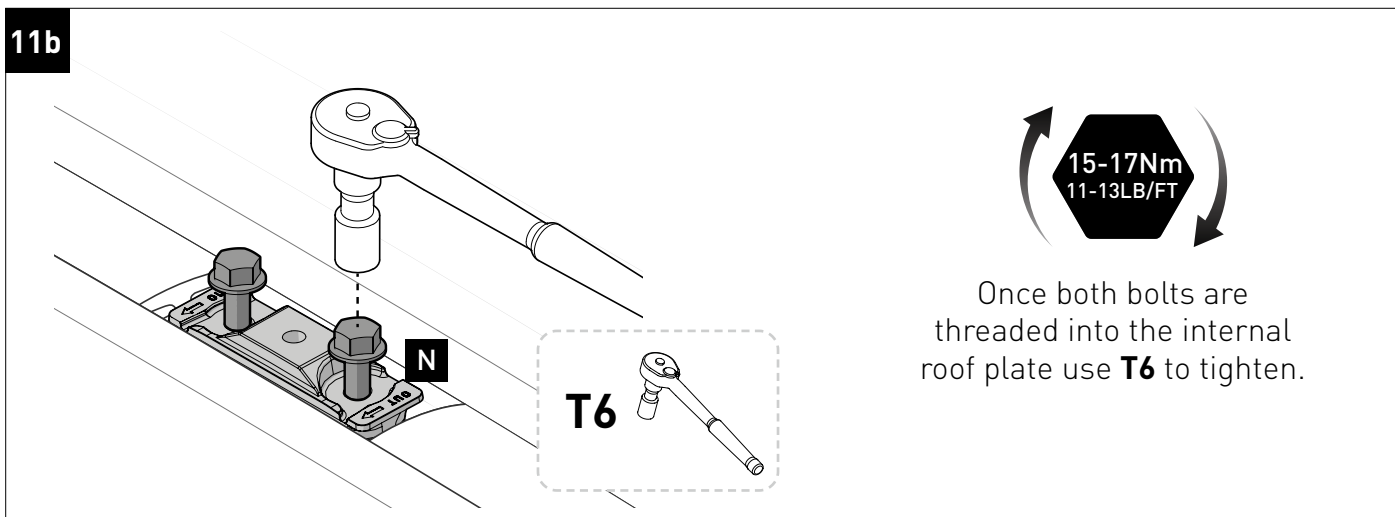
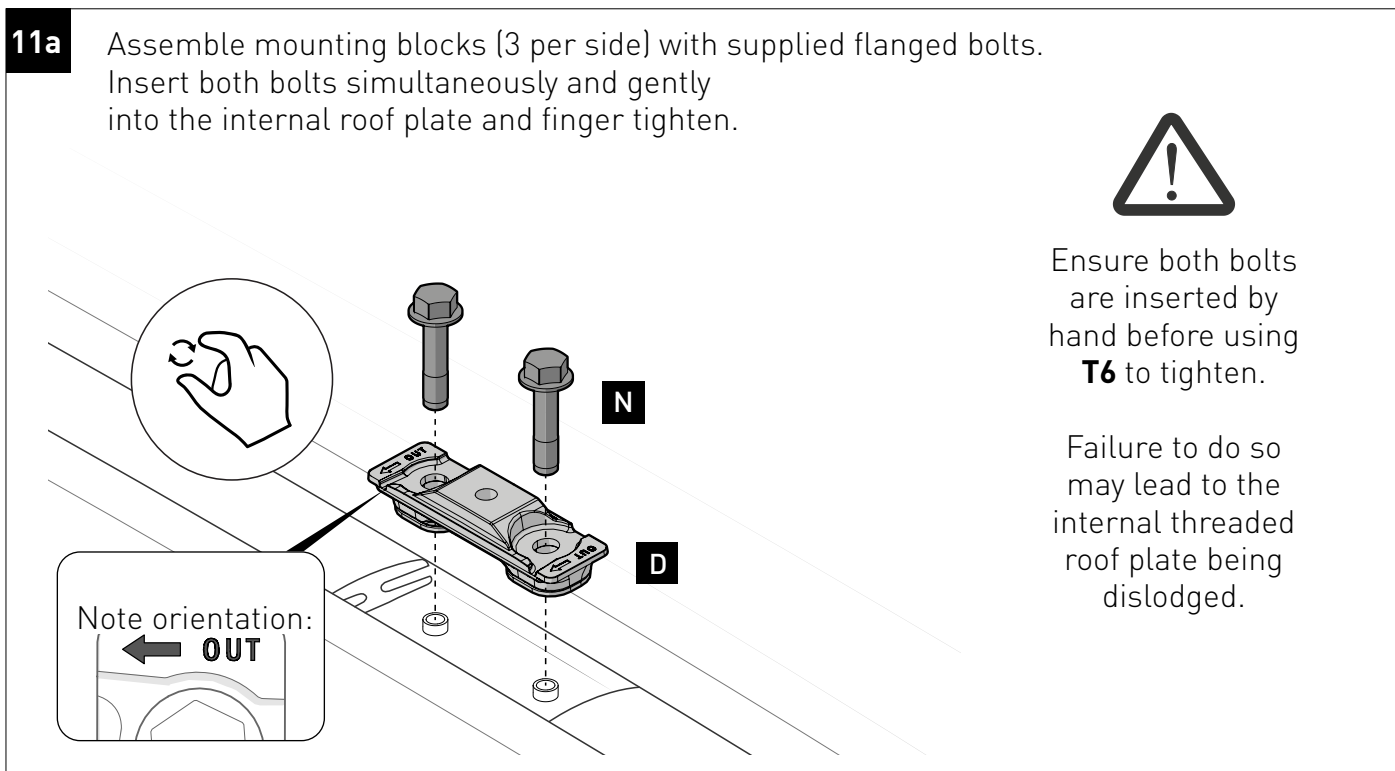
Operation should always be carried out with both screws engaged so that the internal roof plate is not dislodged.

Failure to do so may lead to the internal threaded roof plate being dislodged.

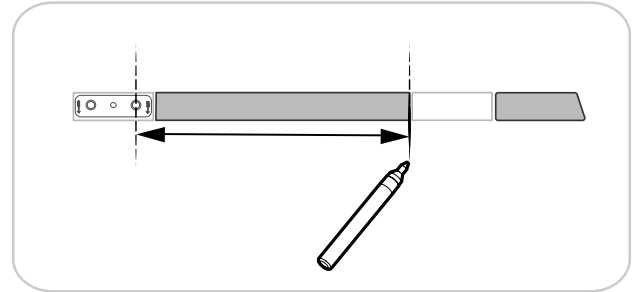
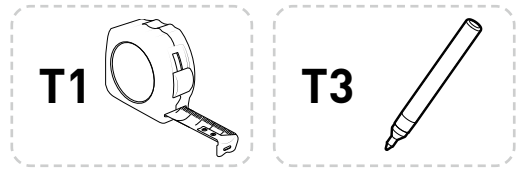
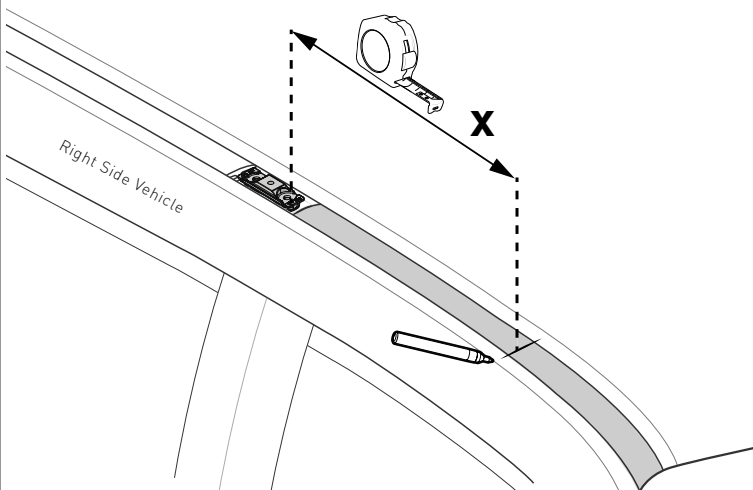




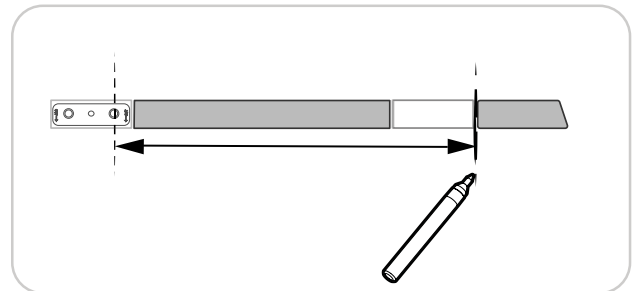
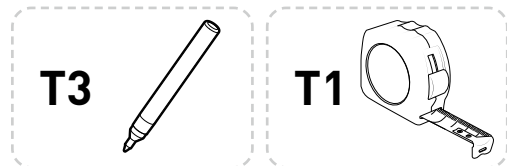
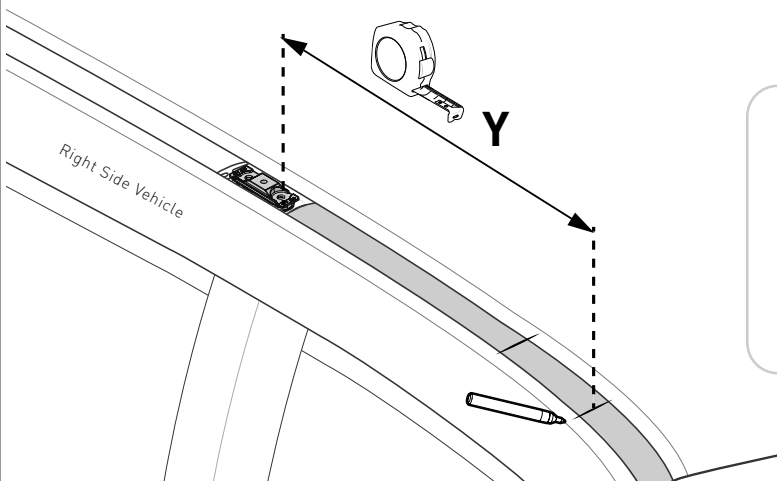
Repeat steps **10a** to **10e** for all 6 mounting points.



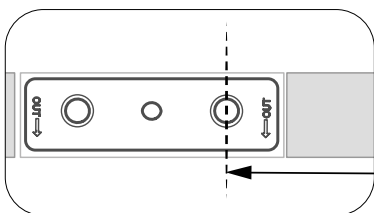
12a Mark righthand side ditch trim. Refer to step **12c** for **X** value.



12b Refer to step **12c** for **y** value.

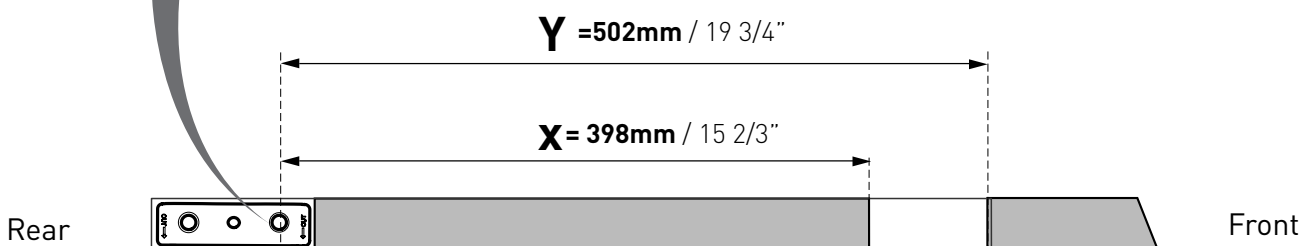
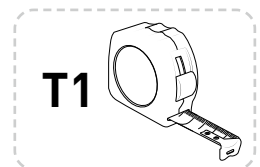


12c

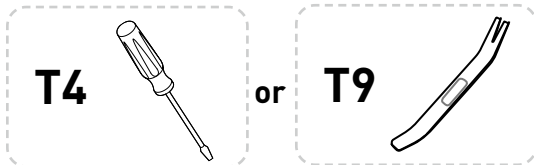
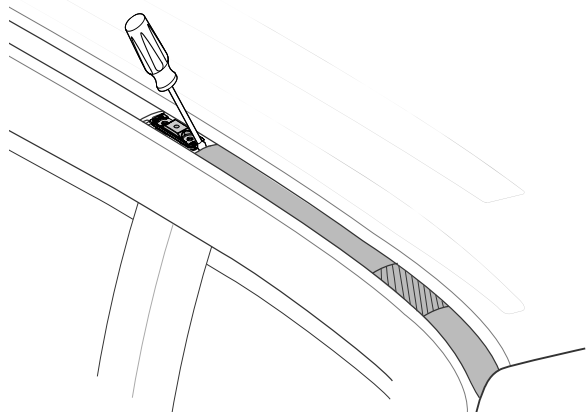


NOTE

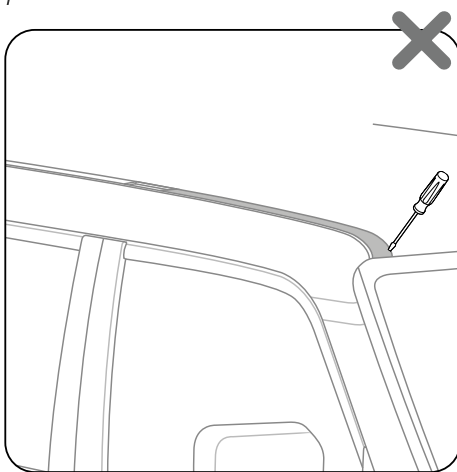
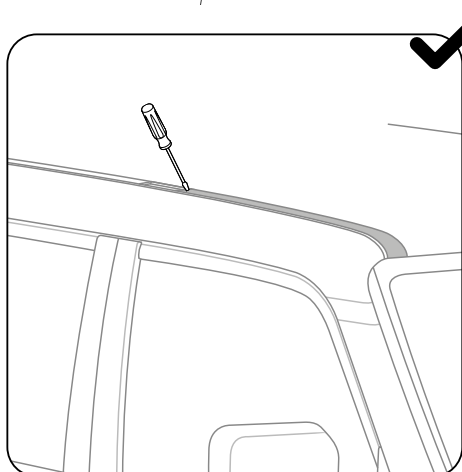
Measure from the centre of the front hole in the cast block.



13a Partially remove the RH side rubber ditch trim.



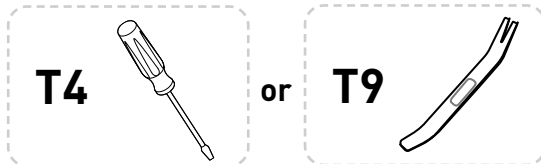
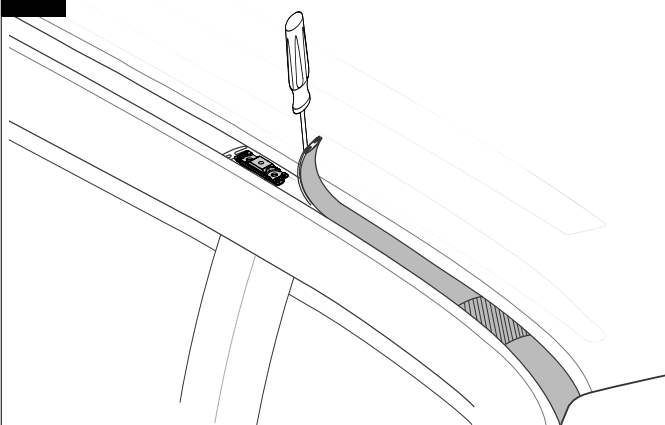
Do not lever against the painted roof.



NOTE

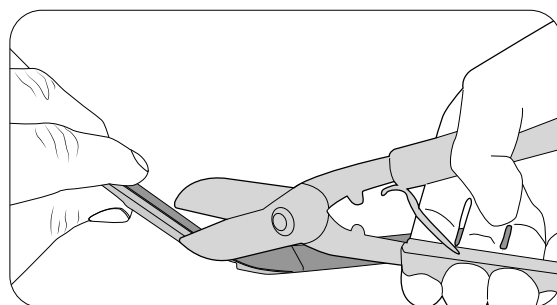
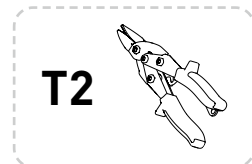
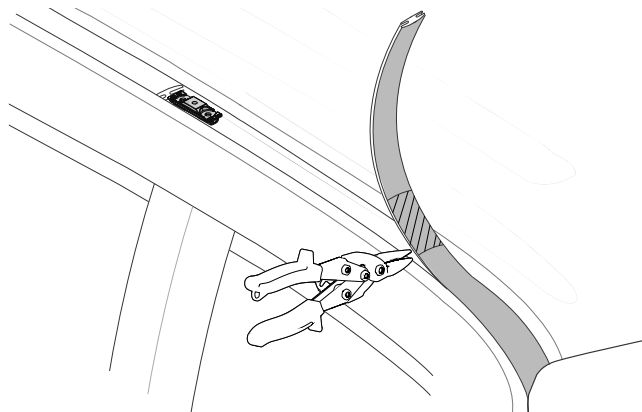
Avoid completely removing the rubber trim to avoid damaging seal at the end of the front windscreen.

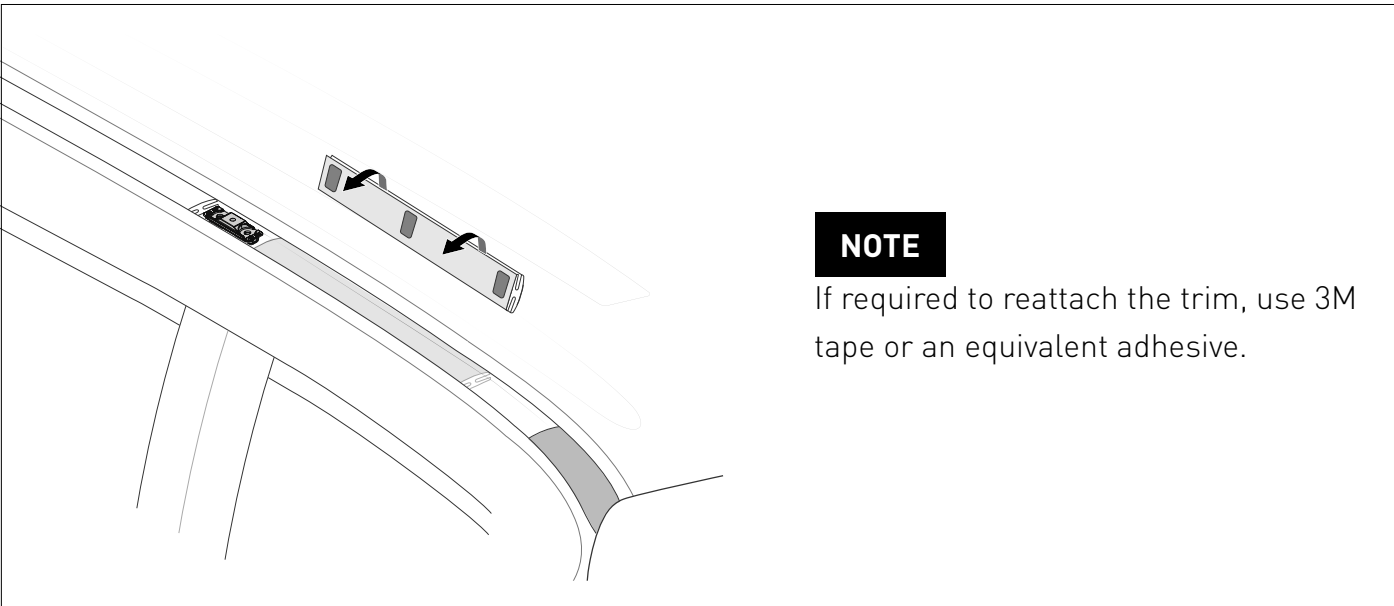
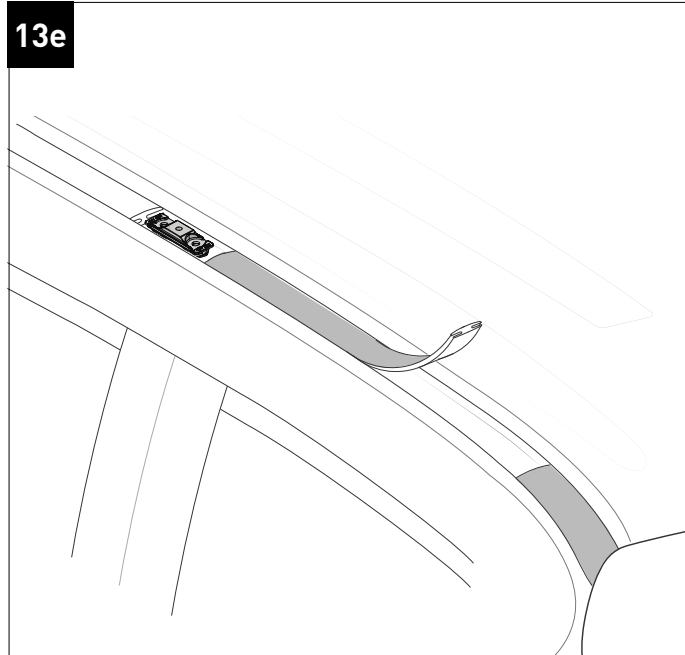
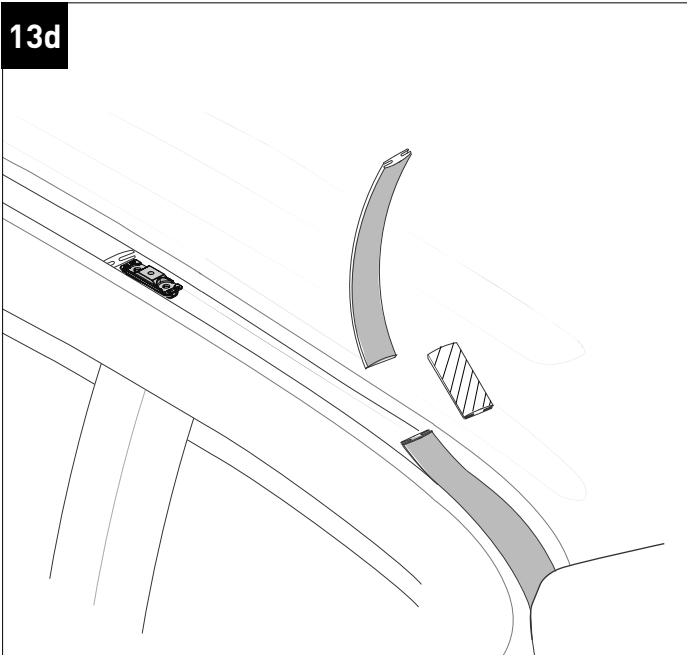
13b



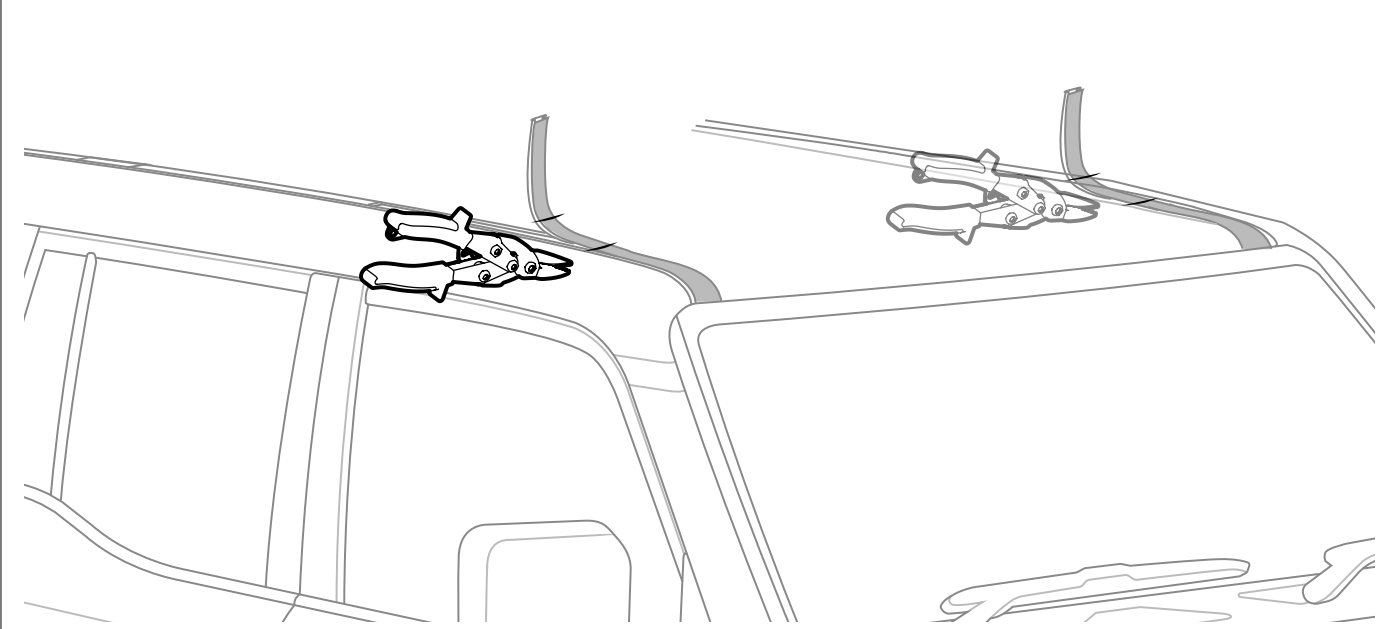
Do not lever against the painted roof.

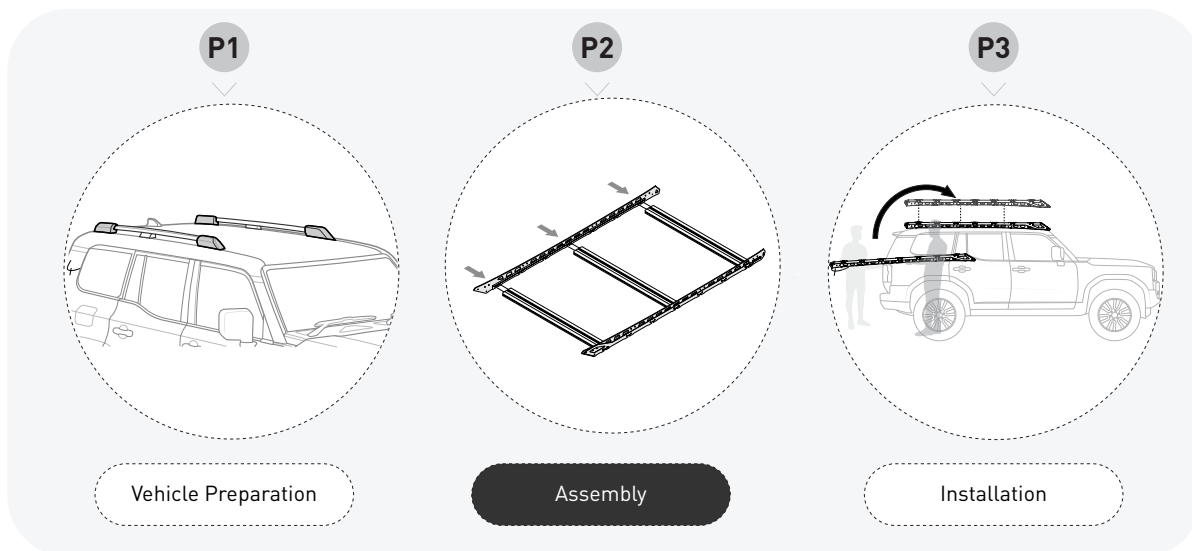
13c Partially remove the RH side rubber ditch trim.





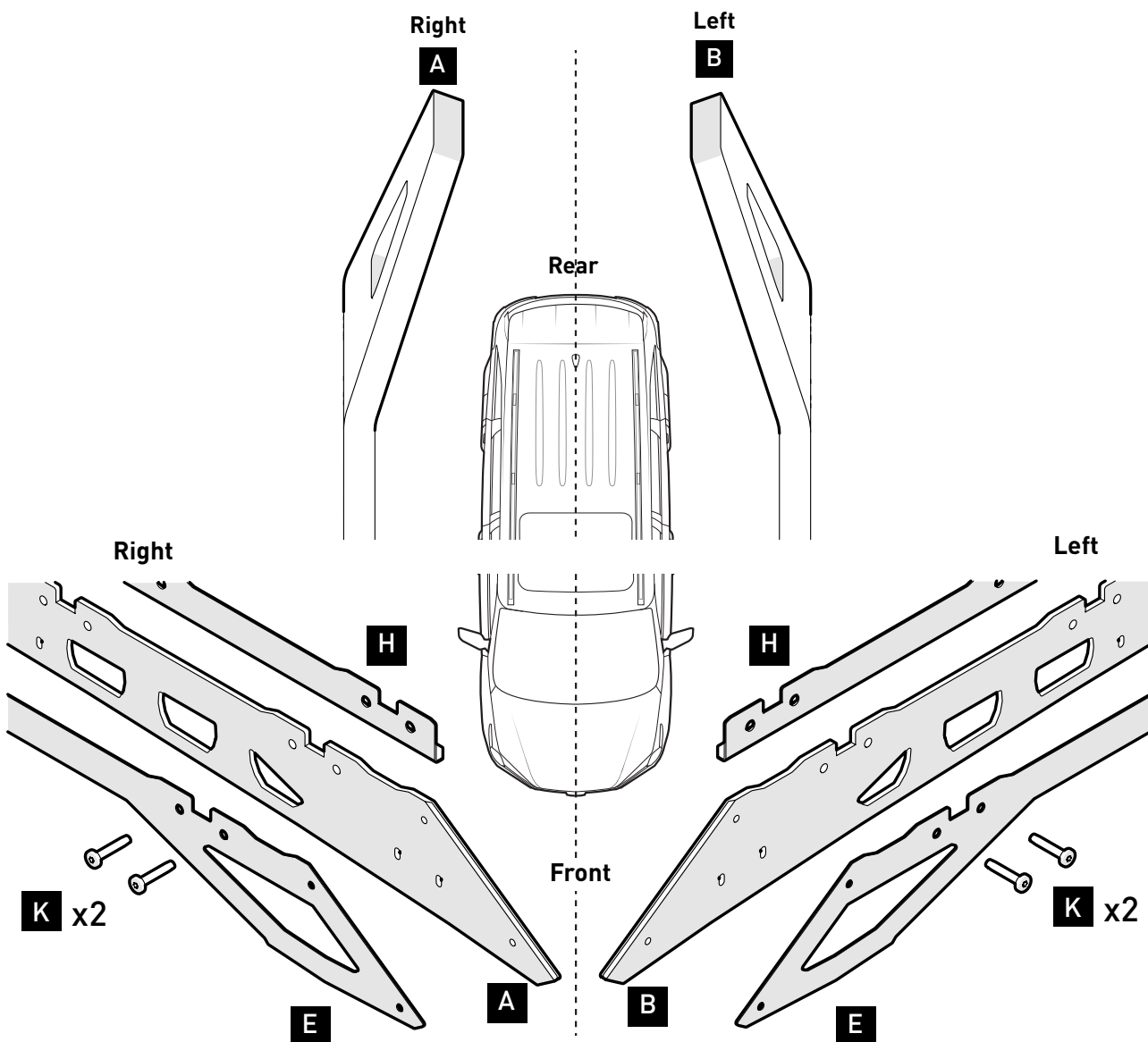
14 Repeat steps **12** - **13** on the **left** rubber ditch trim.



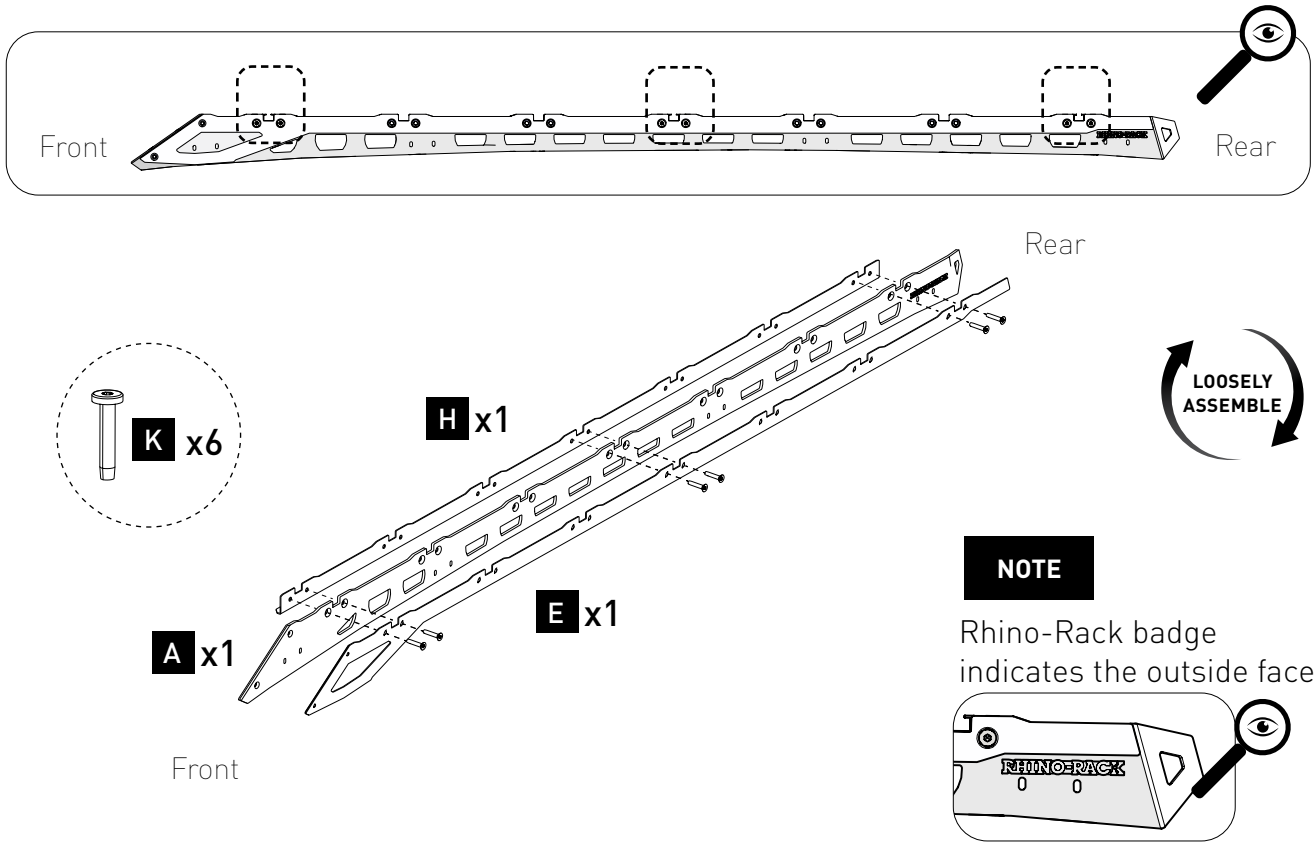


P2

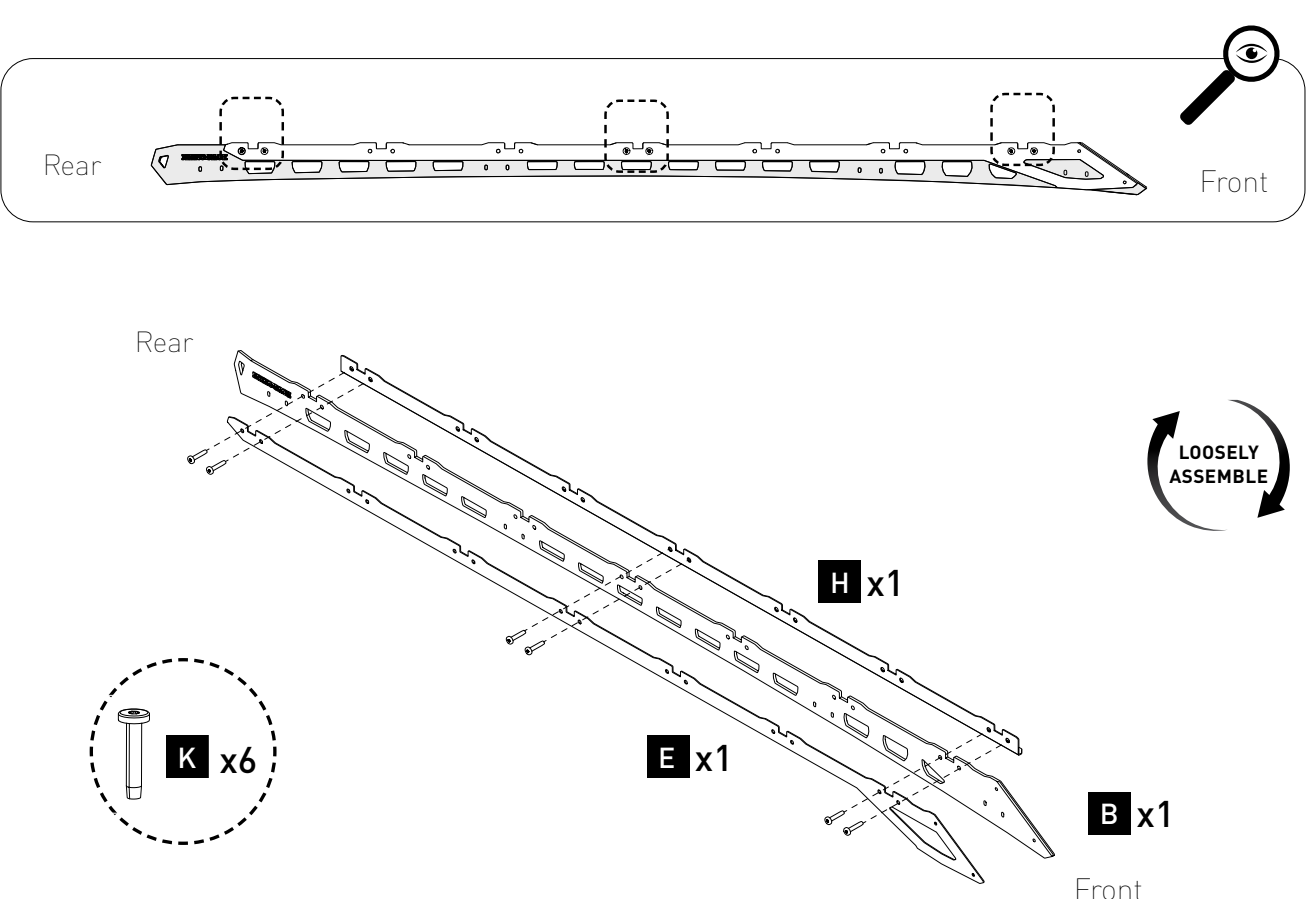
NOTE The rear ends angle toward the center of the vehicle, indicating the left and right blades.



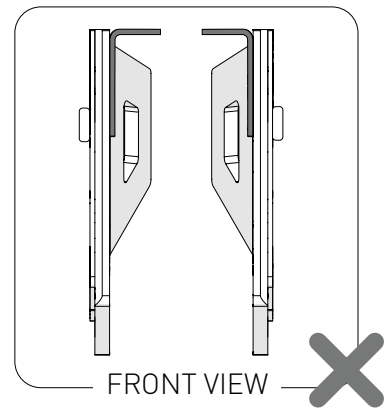
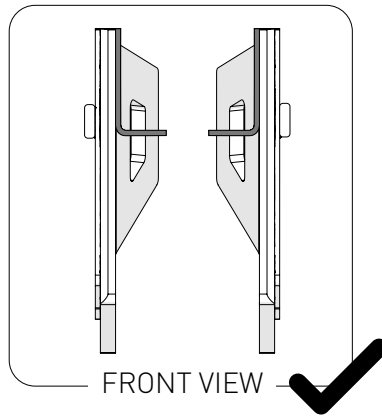
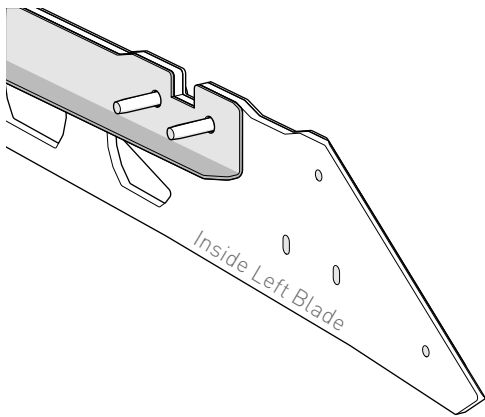
15 Loosely assemble **2x bolts** at each of the **3 indicated locations** on **left side blade**.



16 Loosely assemble **2x bolts** at each of the **3 indicated locations** on **right side blade**.



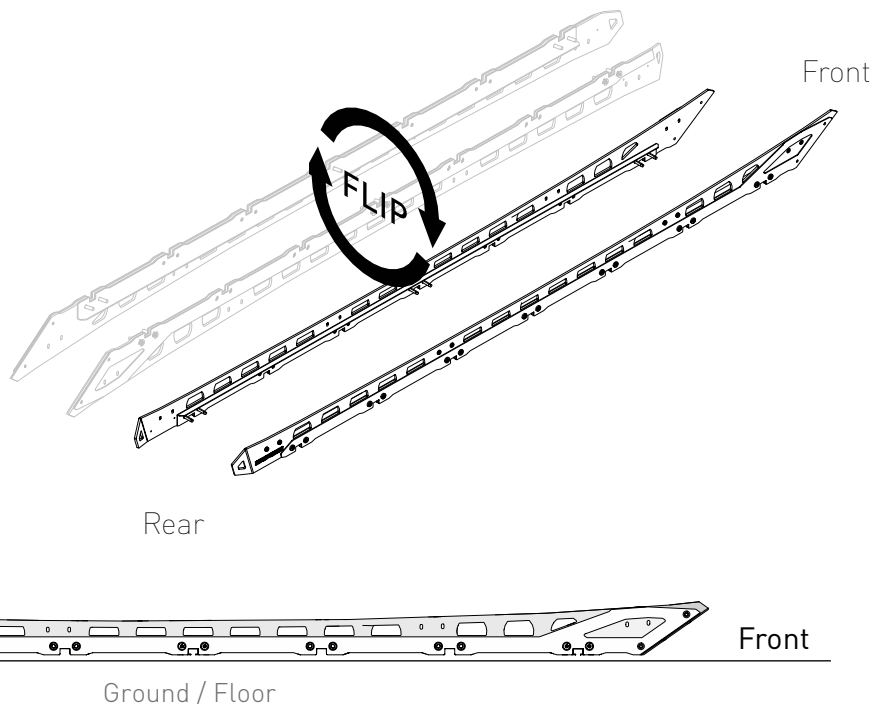
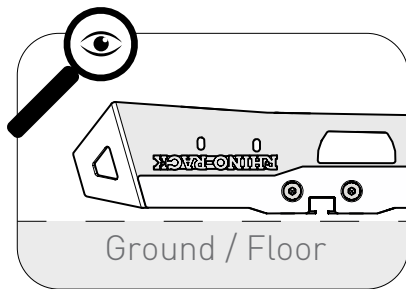
17 Ensure **H** positioned on the inside of the blade.




18 Flip blade assemblies.

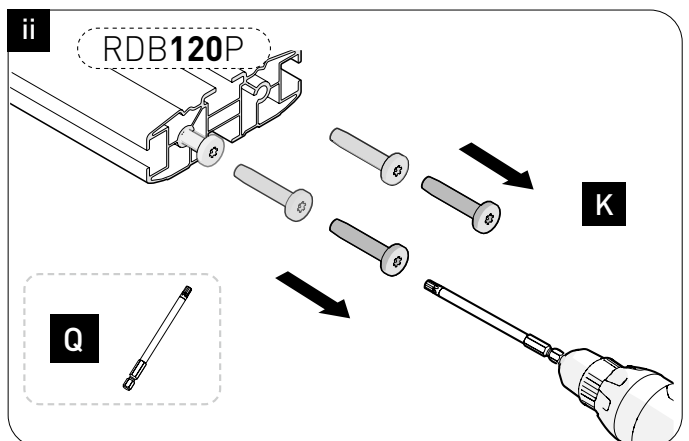
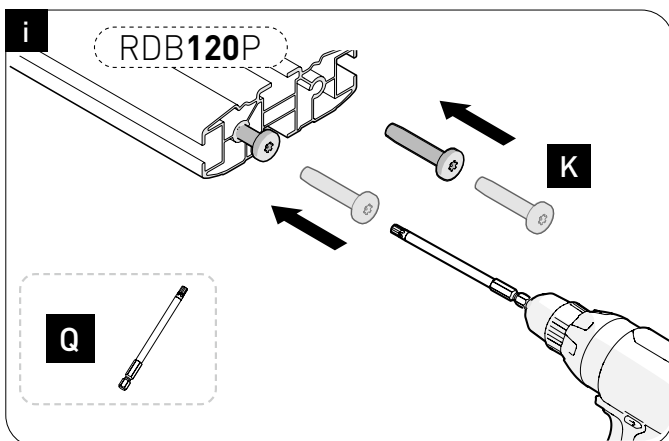
NOTE

Upside-down Rhino-Rack badge indicates the correct orientation

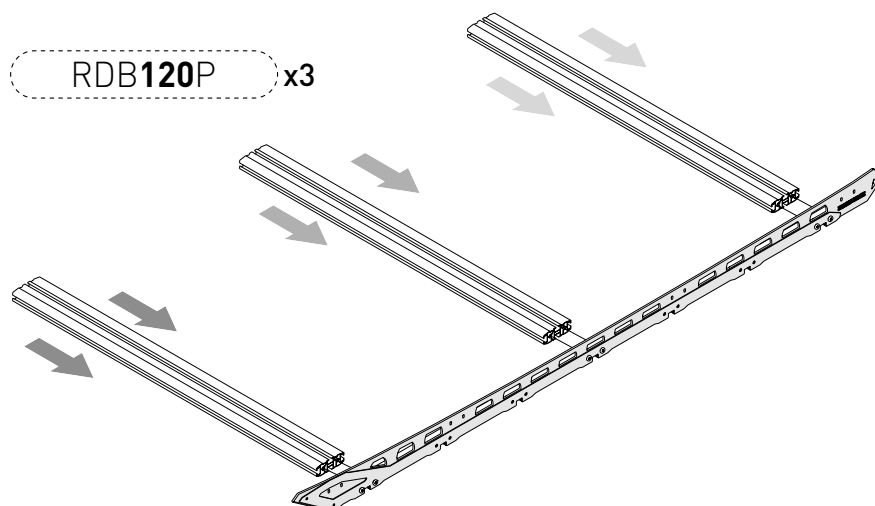


NOTE For easier handling, use **K** screws pre-tap **3x** RDB120P bars at both ends.

 Brace or clamp the bar during this step.

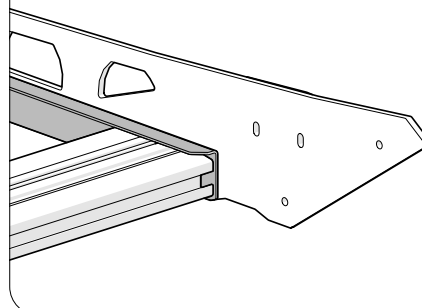


19 Screw **3x** **RDB120P** bars to right hand blade assembly.

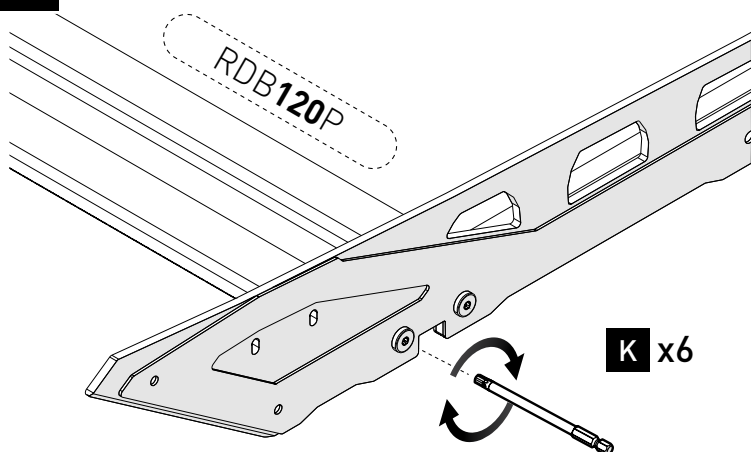


NOTE

Ensure **RDB120P** Bars sit under **H**



20



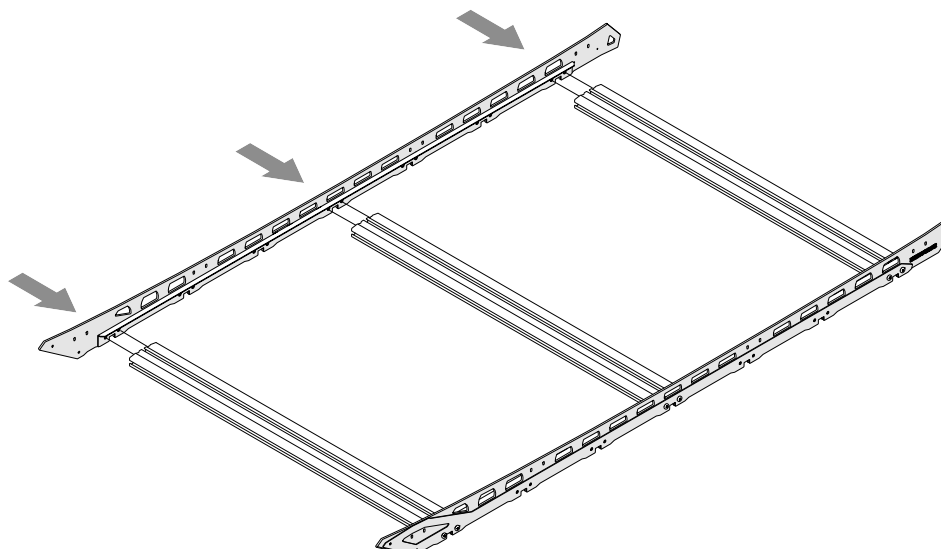
Q



Tighten **K** to

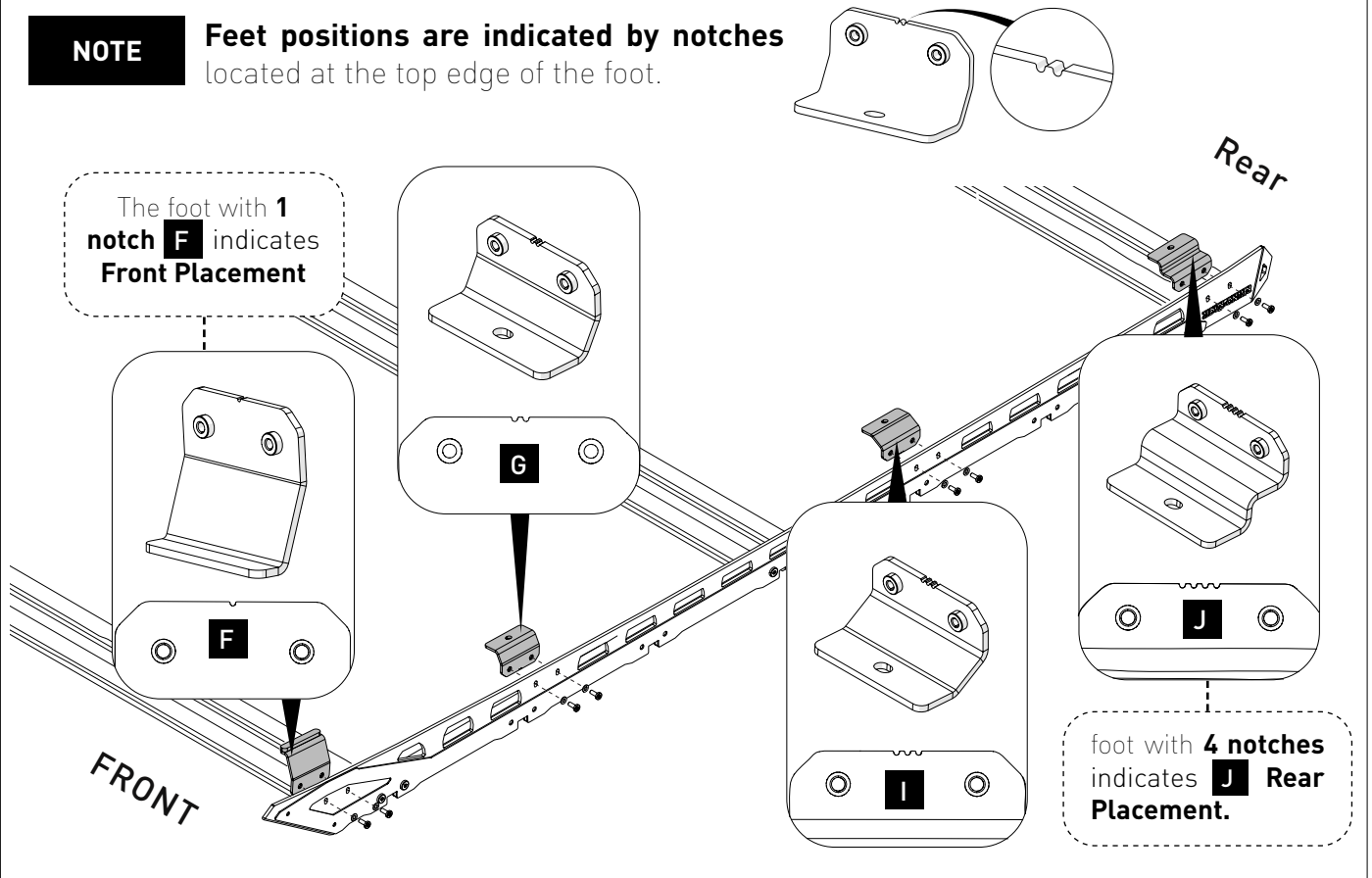
15Nm
11LB/FT

21 Repeat steps **19** & **20** with left hand blade assembly.

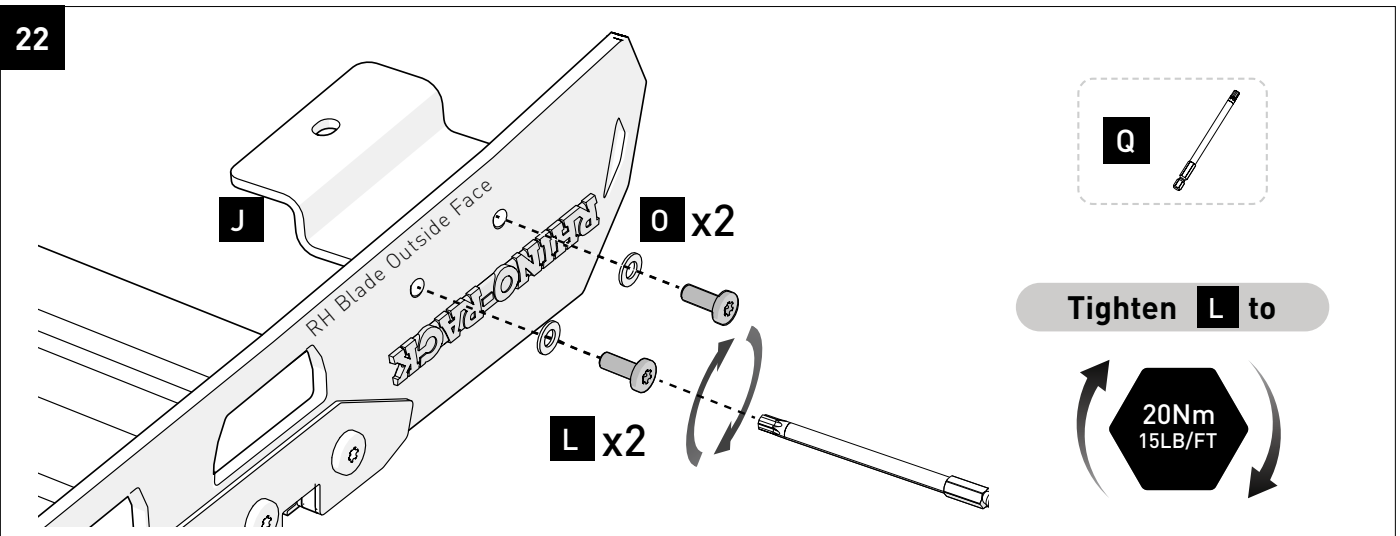


NOTE

Feet positions are indicated by notches located at the top edge of the foot.

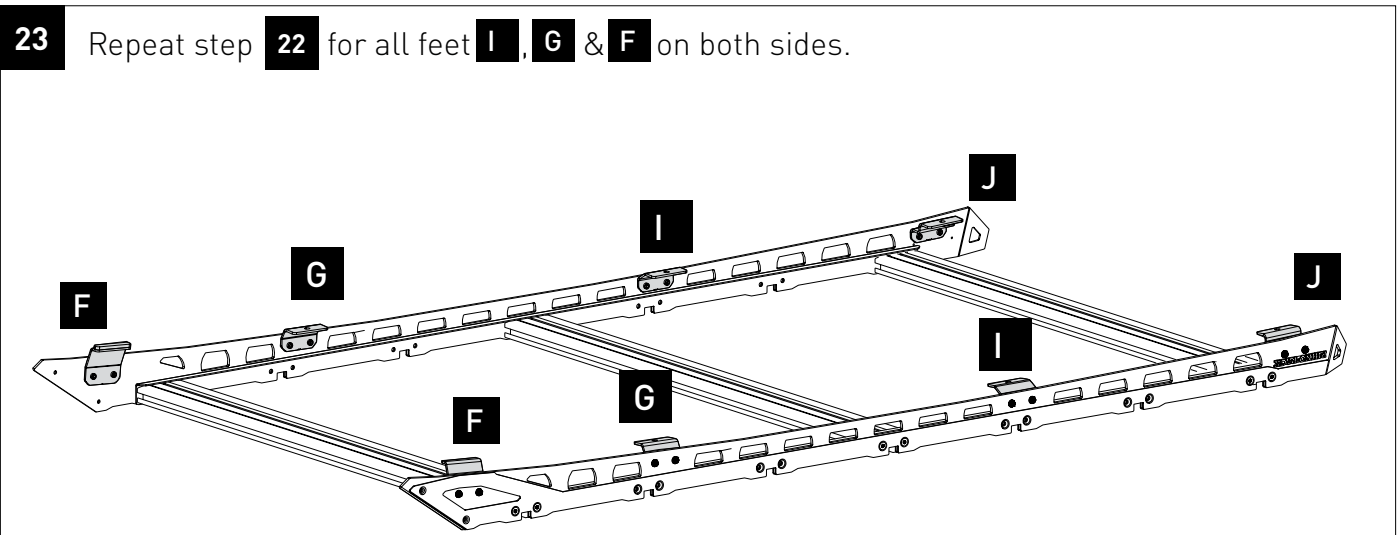


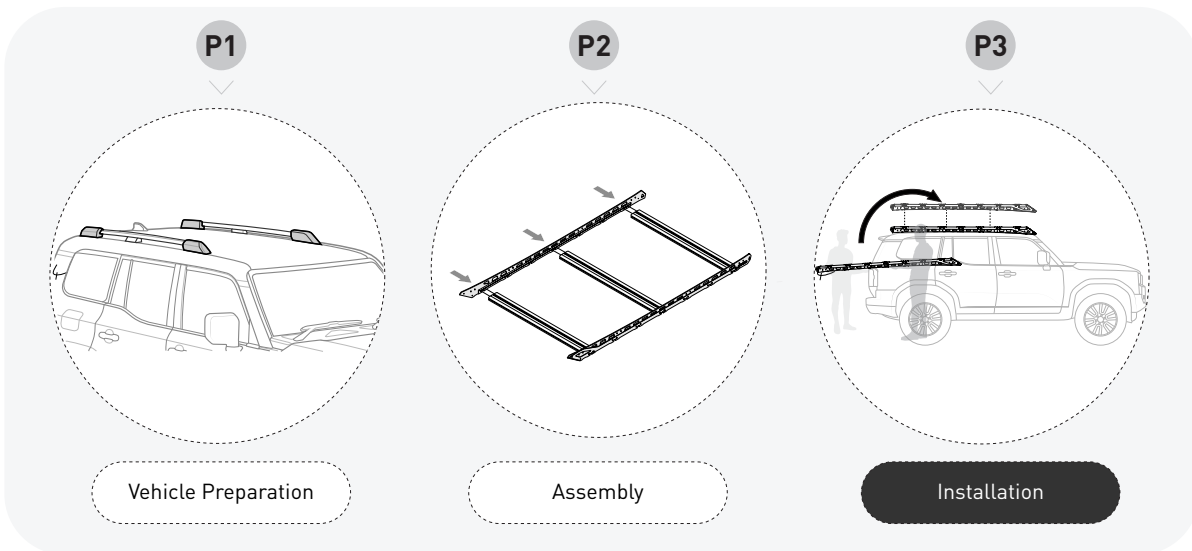
22



23

Repeat step **22** for all feet **I**, **G** & **F** on both sides.

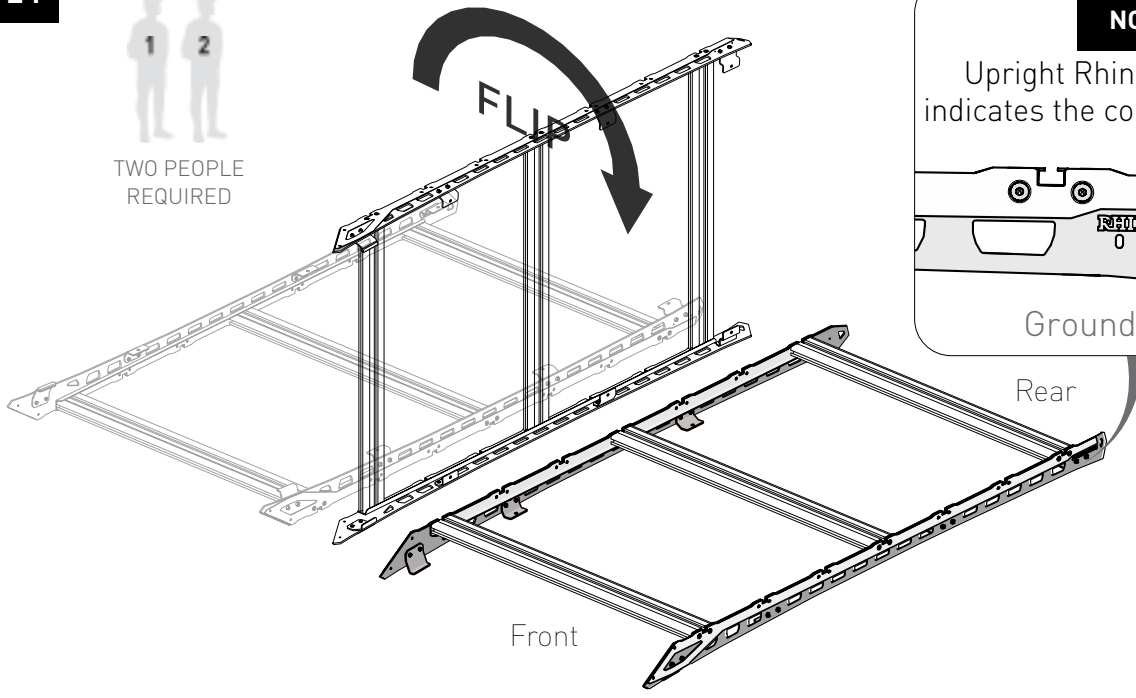




P3

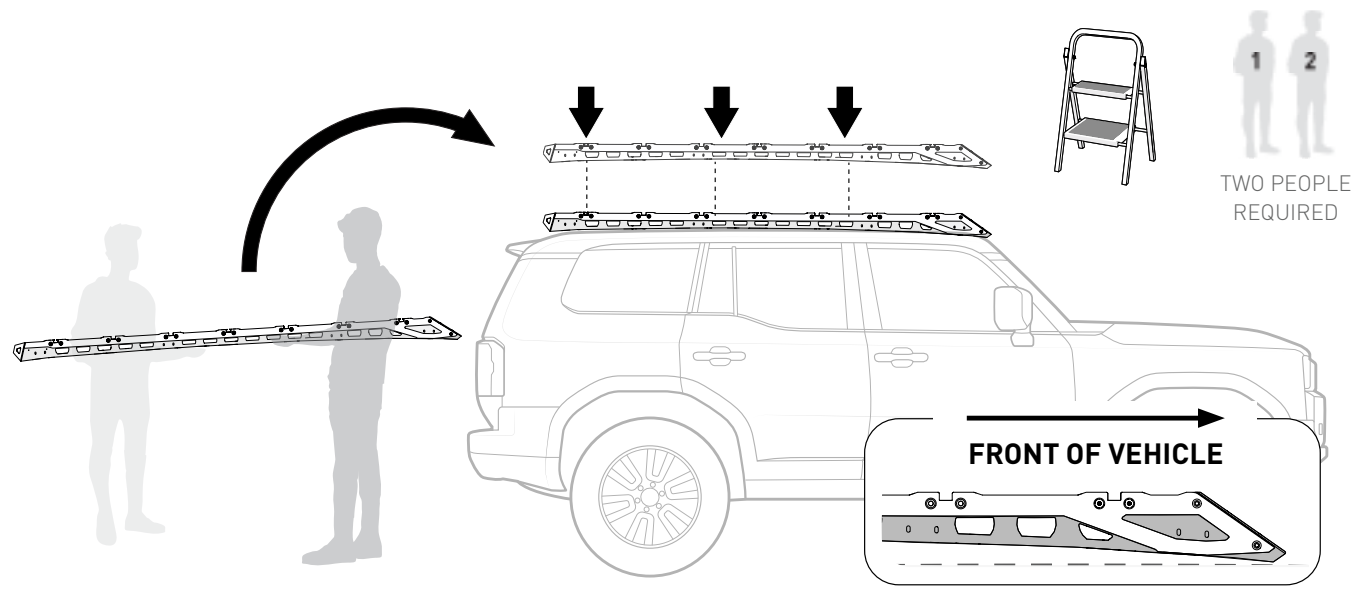
24

1 2
TWO PEOPLE
REQUIRED

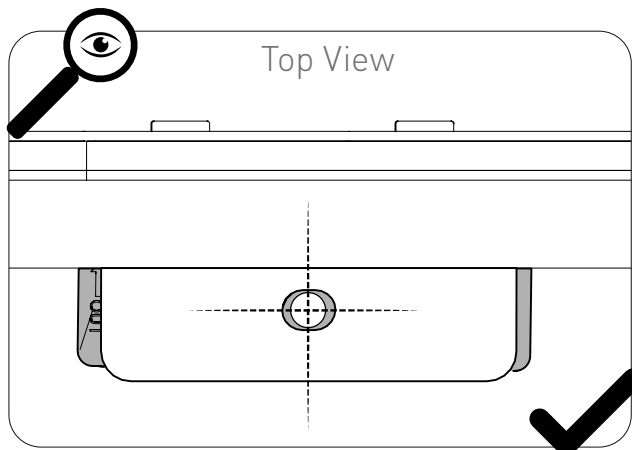
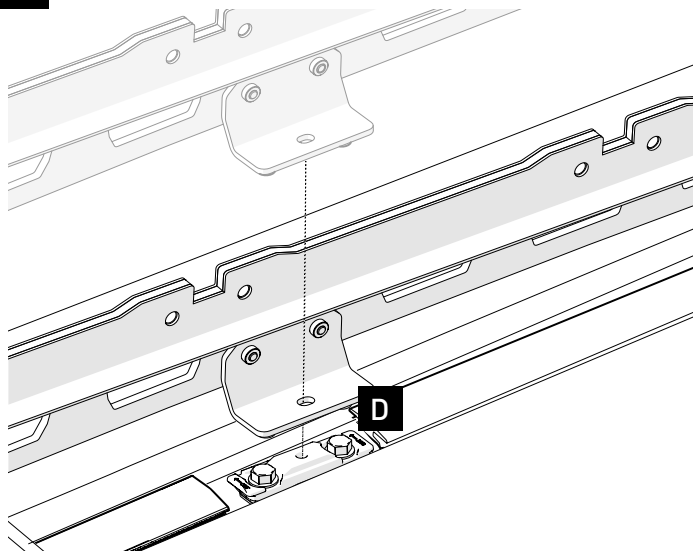


25

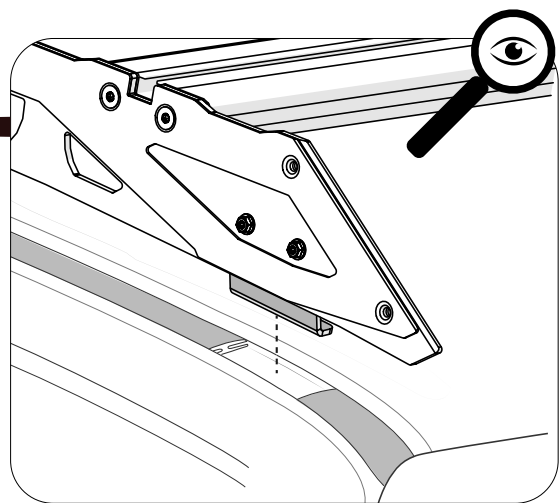
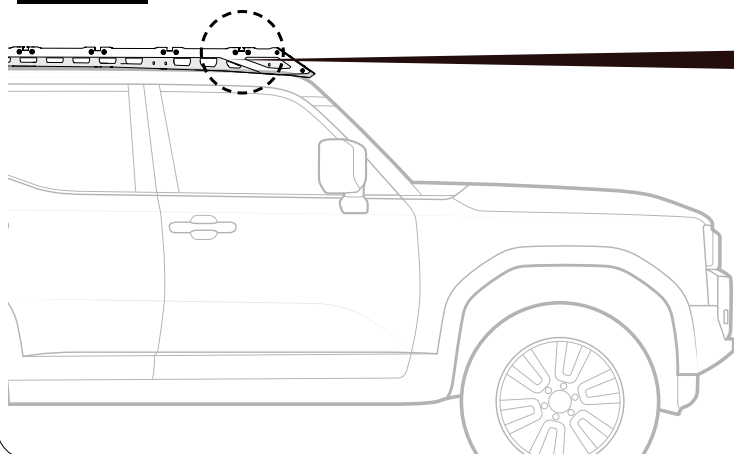
Lift Reconn platform onto vehicle, Carefully placing feet on cast blocks installed in step **11**.



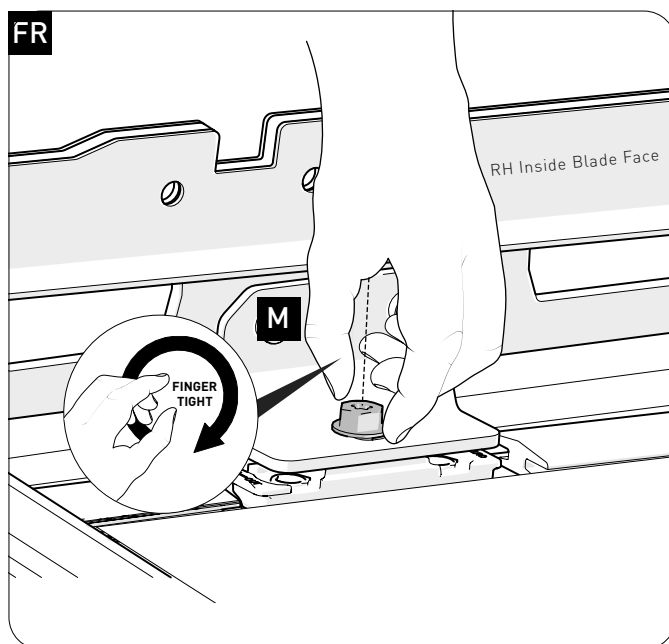
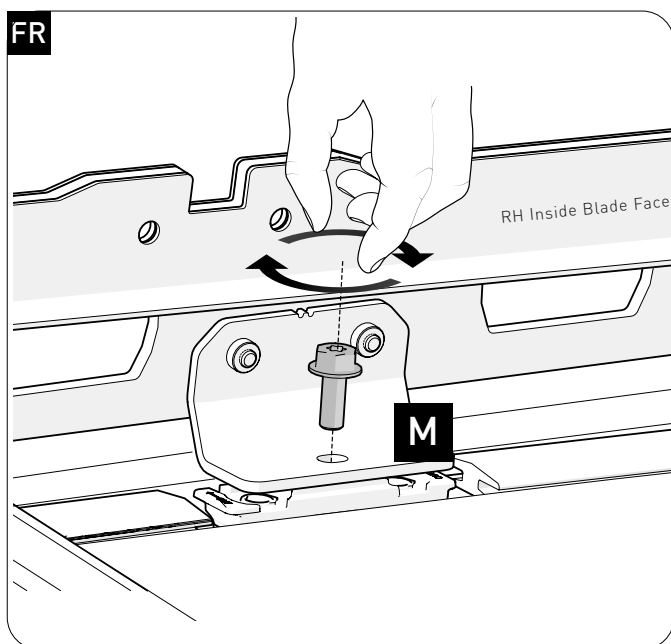
26 Align holes in feet to holes in cast blocks.



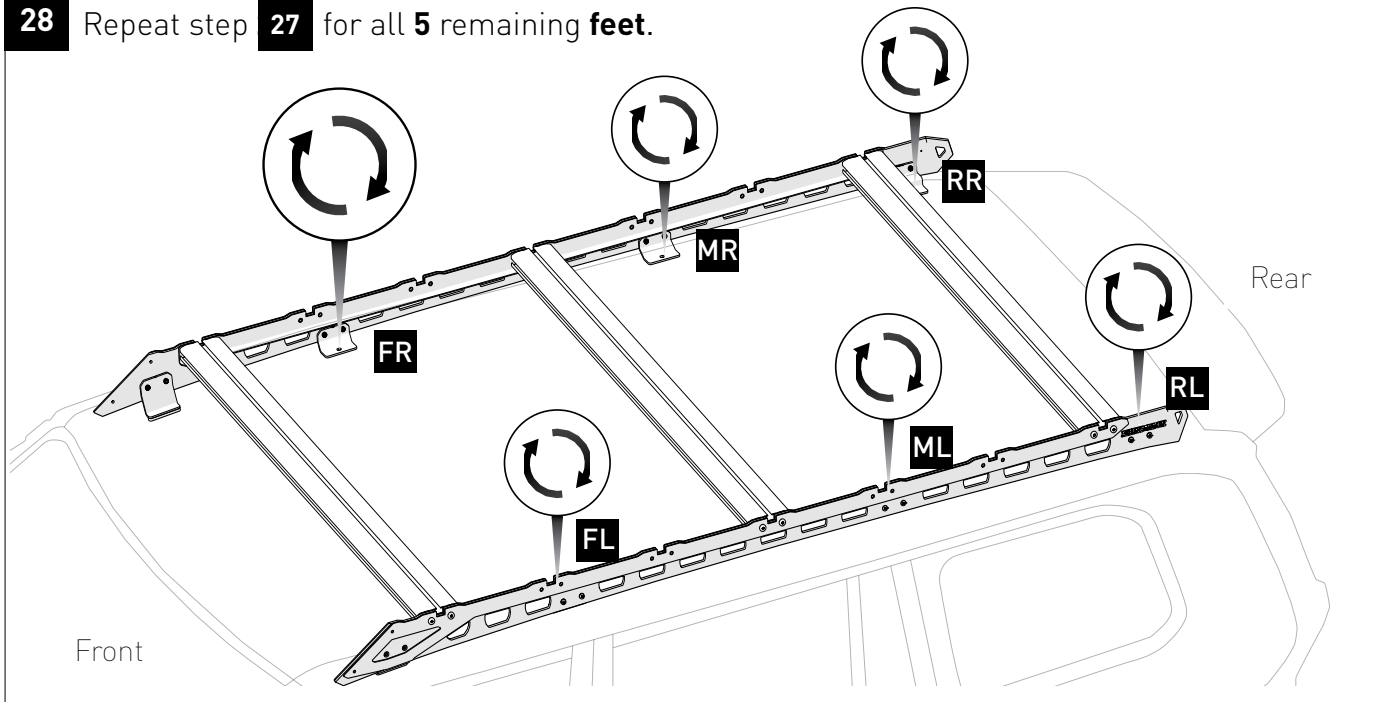
NOTE Front foot sits in gutter as seen in step **13**.



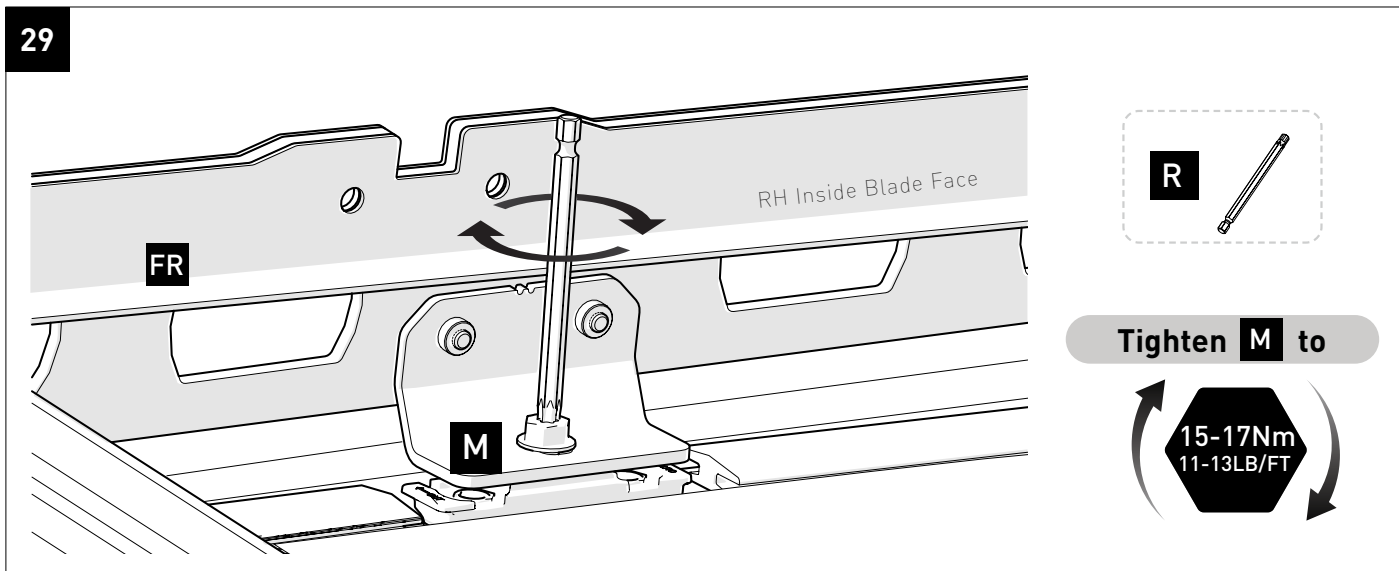
27 Finger tighten foot to the cast block installed in step **11**.



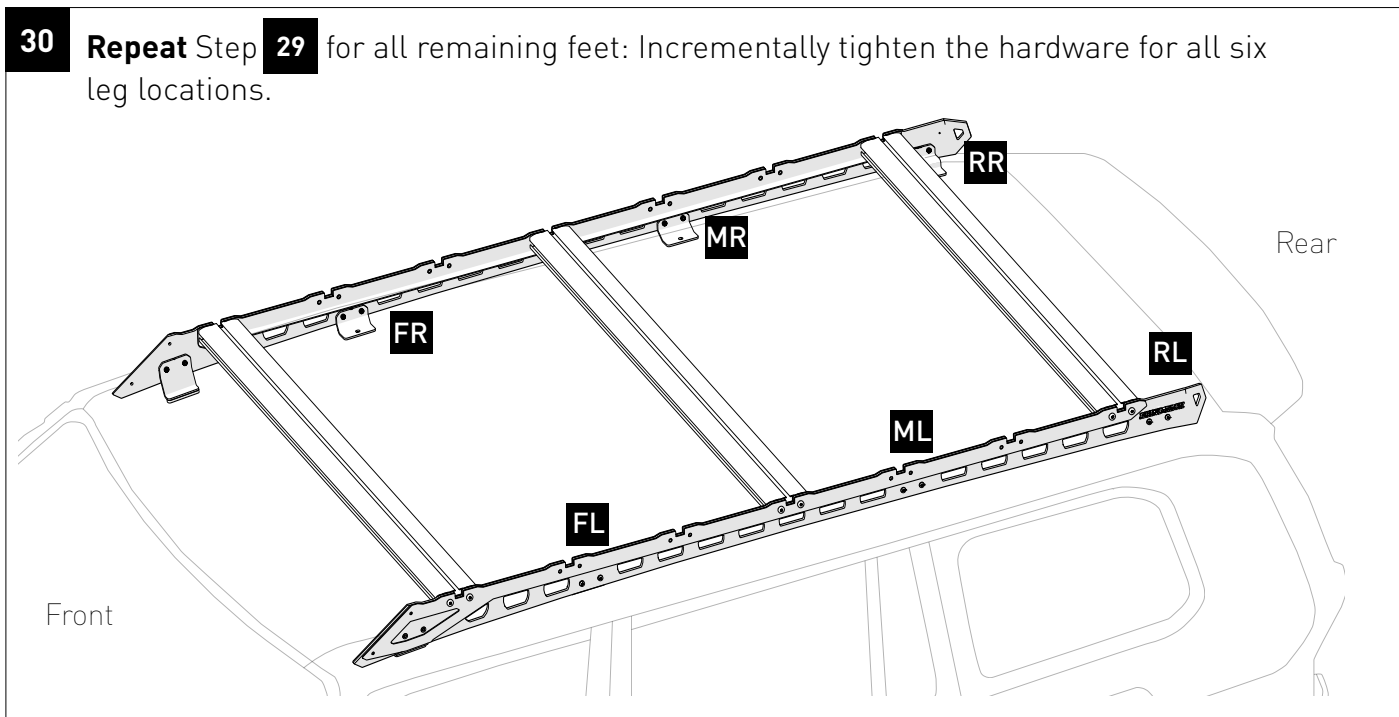
28 Repeat step **27** for all **5** remaining feet.



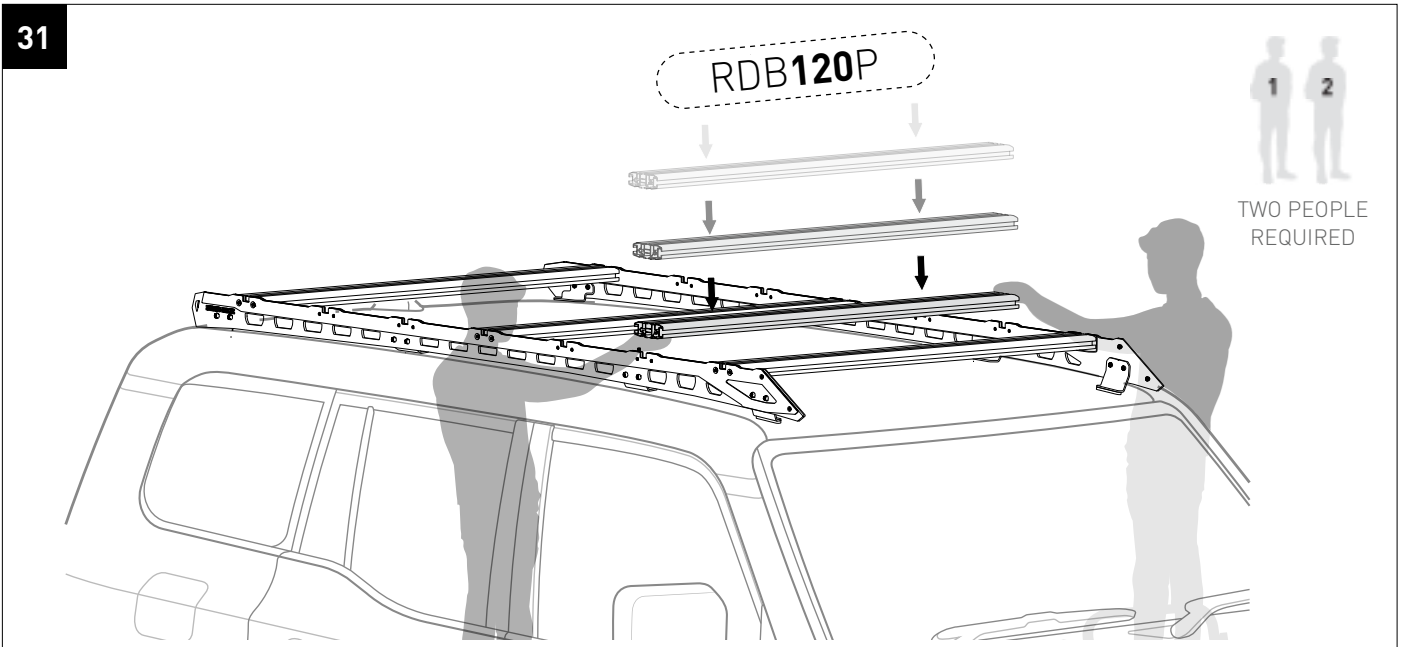
29



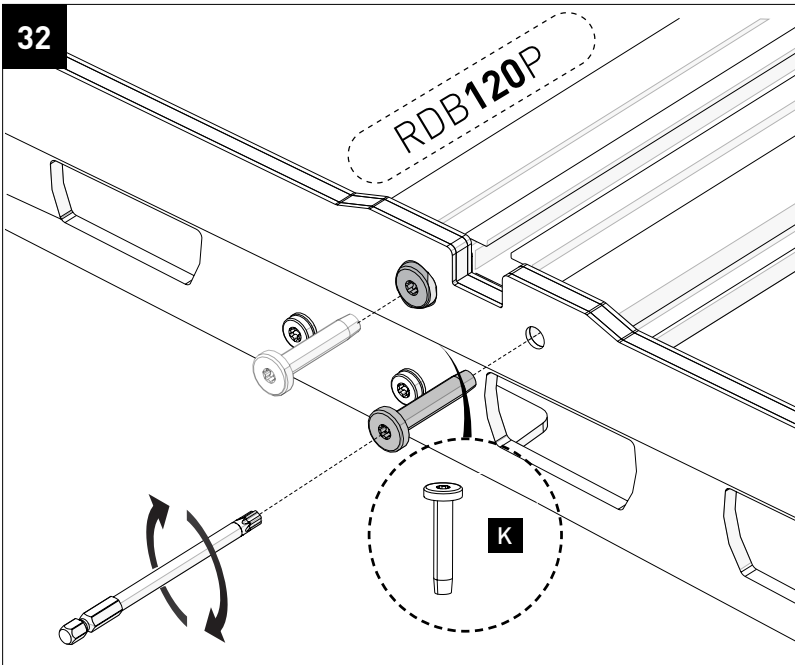
30 Repeat Step **29** for all remaining feet: Incrementally tighten the hardware for all six leg locations.



31



32



NOTE

Other screws may need to be loosened to fit RDB120P bars in position.

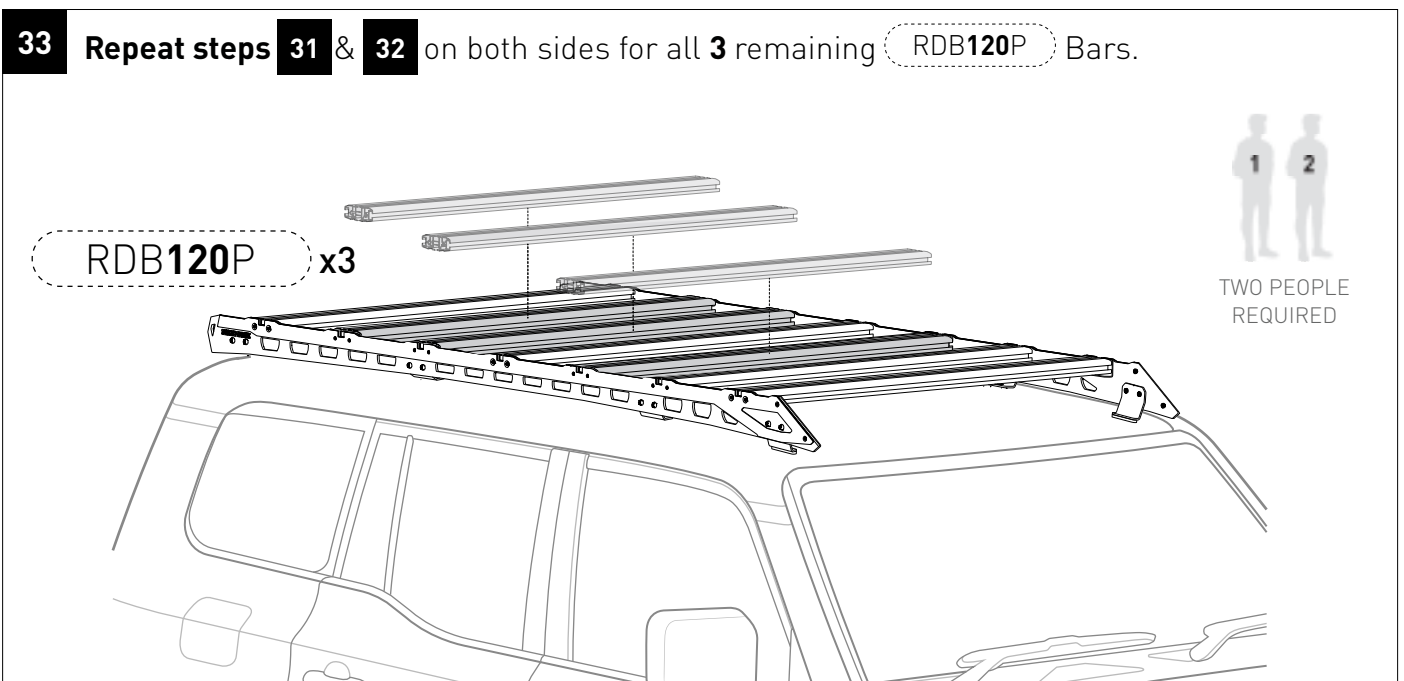
Q



Tighten **K** to



33 Repeat steps 31 & 32 on both sides for all 3 remaining RDB120P Bars.

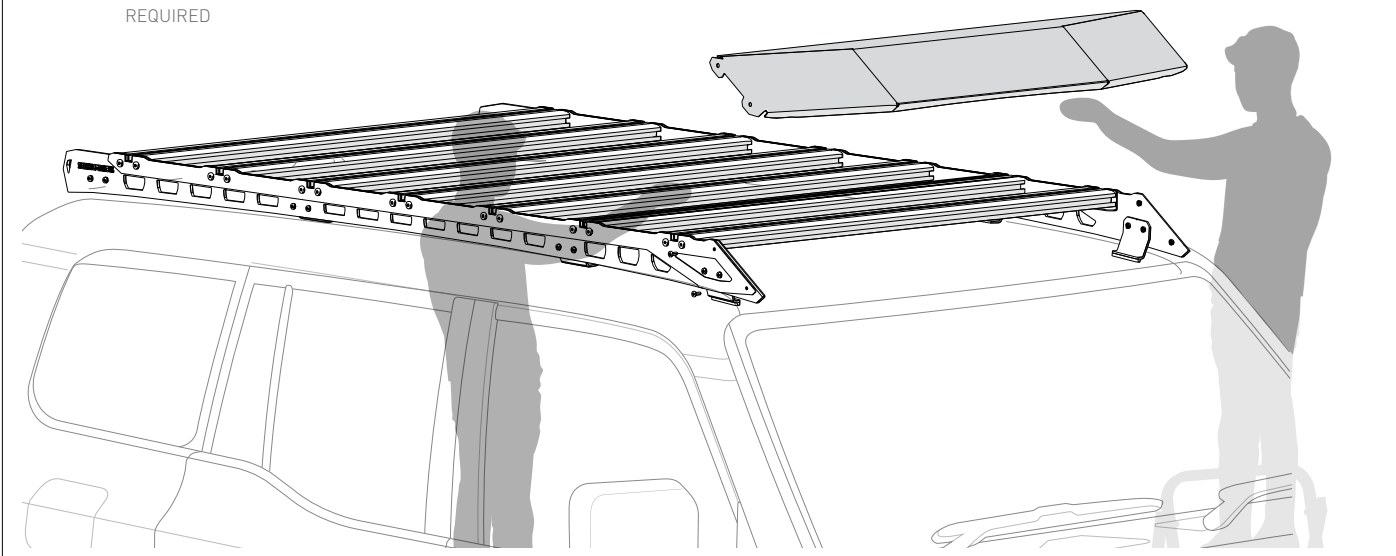


34



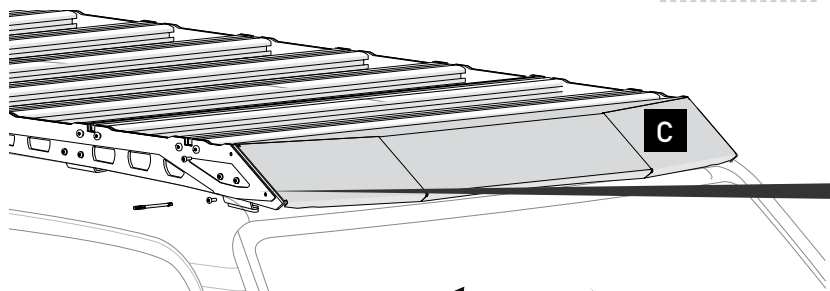
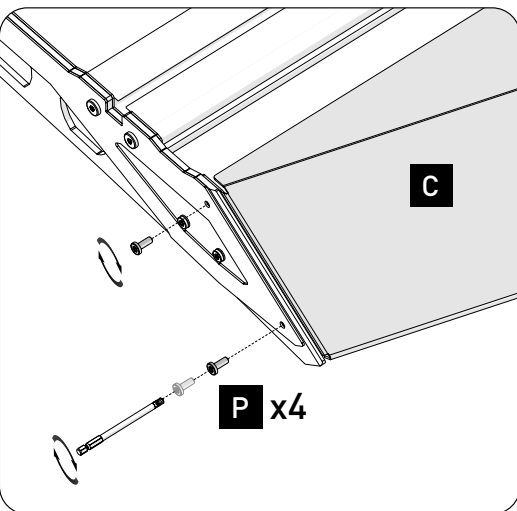
TWO PEOPLE
REQUIRED

C



35 Attach wind fairing on both sides.

Q



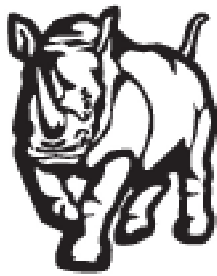
Tighten **P** to 6Nm



Installation Complete.



NOTES



RHINO-RACK®

MAKE SPACE FOR ADVENTURE

RHINORACK.COM

Rhino-Rack AUSTRALIA

22A Hanson Pl,
Eastern Creek, NSW, 2766

Rhino-Rack USA

Unit D, 2450 Airport Blvd,
Aurora, CO, 80011