

RHINO-RACK®

6 Series Pioneer Platform (FLAT PACK)

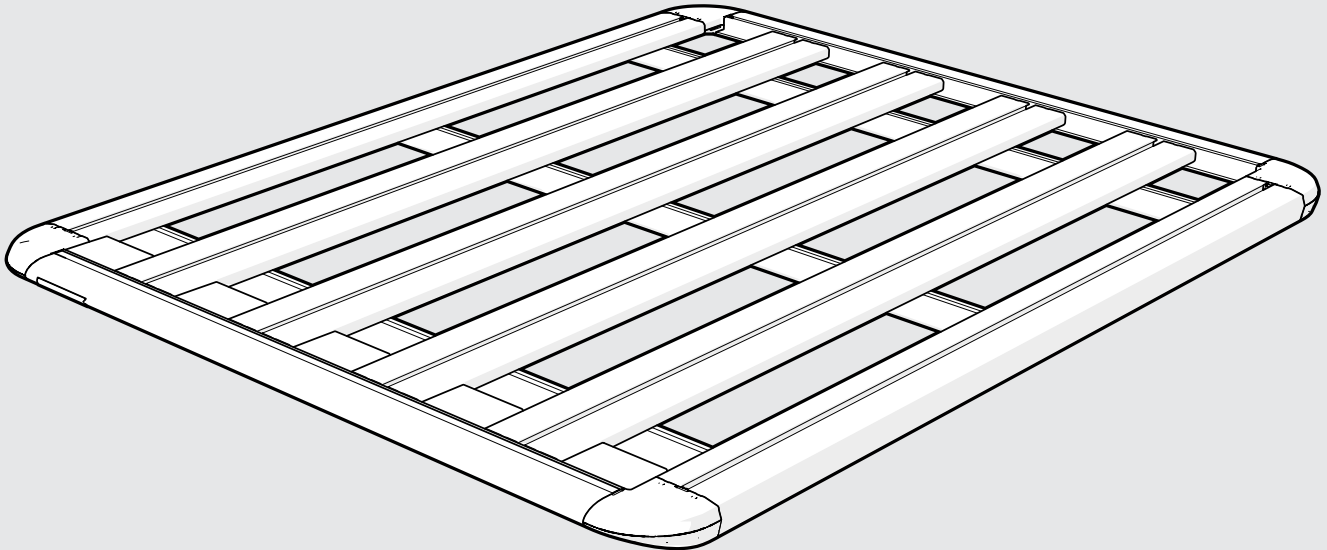
62100F - 62115F

Important:

1. Check the Rhino-Rack website to ensure you have the latest issue of these instructions.
2. Please refer to your fitting instruction to ensure that the roof racks are installed in the correct locations.
3. Check the contents of kit before commencing fitment and report any discrepancies.
4. Place these instructions in the vehicle's glove box after installation is complete.
5. These instructions must be followed for warranty to be upheld.

Fit Time: 30 mins

PIONEER™



TWO PERSON
INSTALLATION

RHINORACK.COM

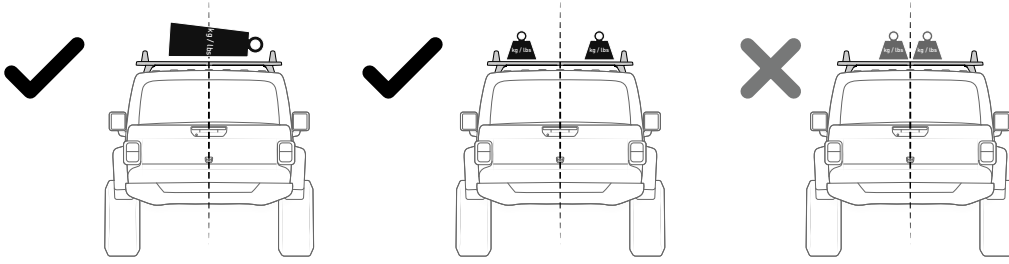
Doc. No: 520-RFI-00159

Issue No: 02

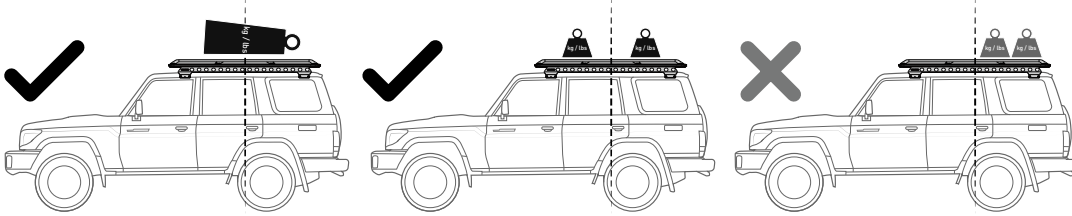
Issue Date: 24/01/2024

CONTENTS

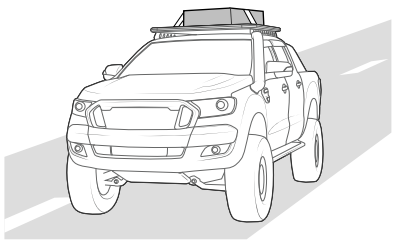
3	Important Usage Notes And Warnings
5	Carrying Capacity
5	In Service Maintenance Checks
5	Warranty
6	Leg Compatibility
7	Parts
7	Tool Required
8	Variable Parts Table
8	Platform Sizes
9	Platform Assembly <i>(Steps A1- A21)</i>
16	Platform Installation <i>(Steps 1-13)</i>
18	Leg Installation
21	Underbar Cover Measurement Steps
23	RX100 Installation Note
23	Fitting Accessories To Front Channel
25	Fitting Accessories Without Zwifloc
26	Note Taking Space



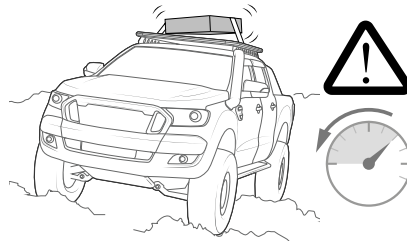
Distribute loads evenly and longitudinally as low as possible over the span.



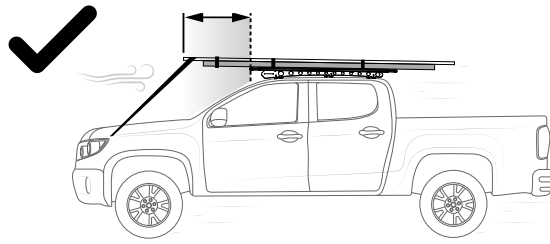
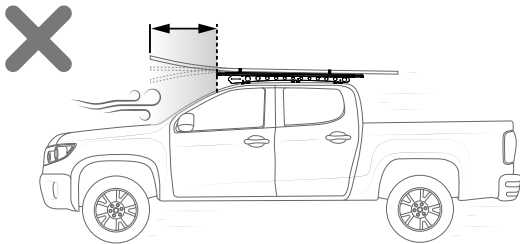
Avoid point loads concentrated at the front or rear.



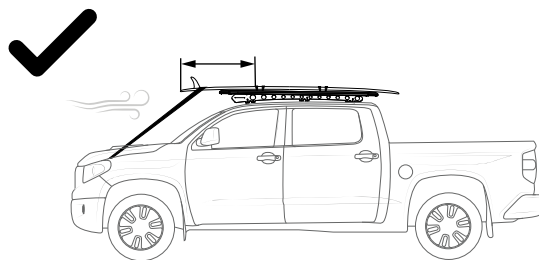
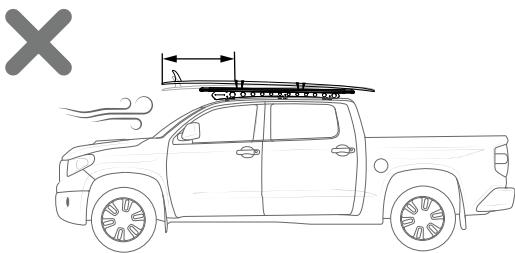
Exercise extreme care when transporting wind-resistant loads. Special consideration must be taken when cornering and braking.



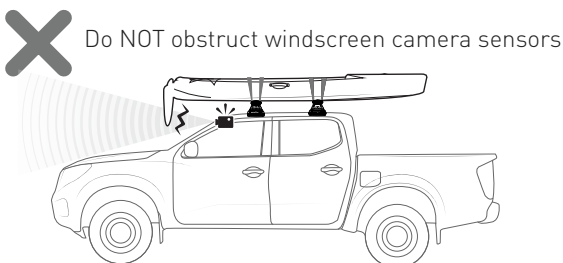
Off-road conditions can be much more rigorous. Extreme care must be taken on any driven path that does not contain a surface protection layer (tar/bitumen).



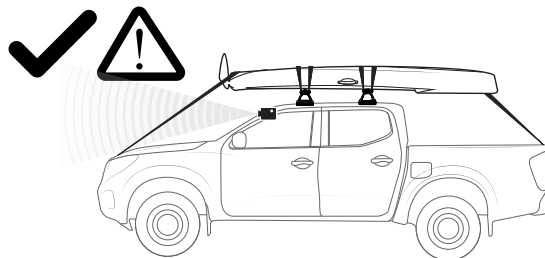
Long flexible loads must attach securely to rigid support and be tied down to the bonnet.



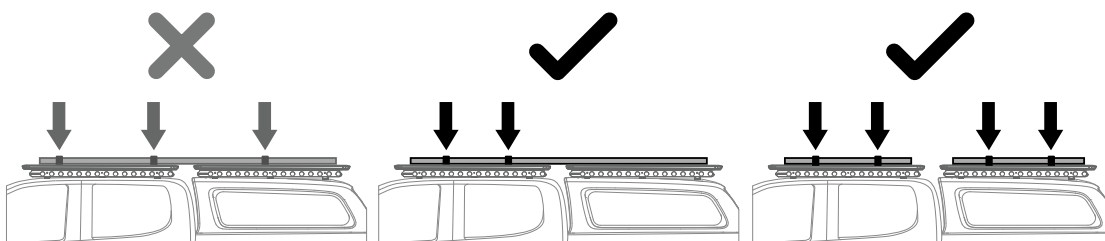
Surfboard Overhang greater than **600mm / 23 5/8in** must be tied to the bonnet



Do NOT obstruct windscreen camera sensors

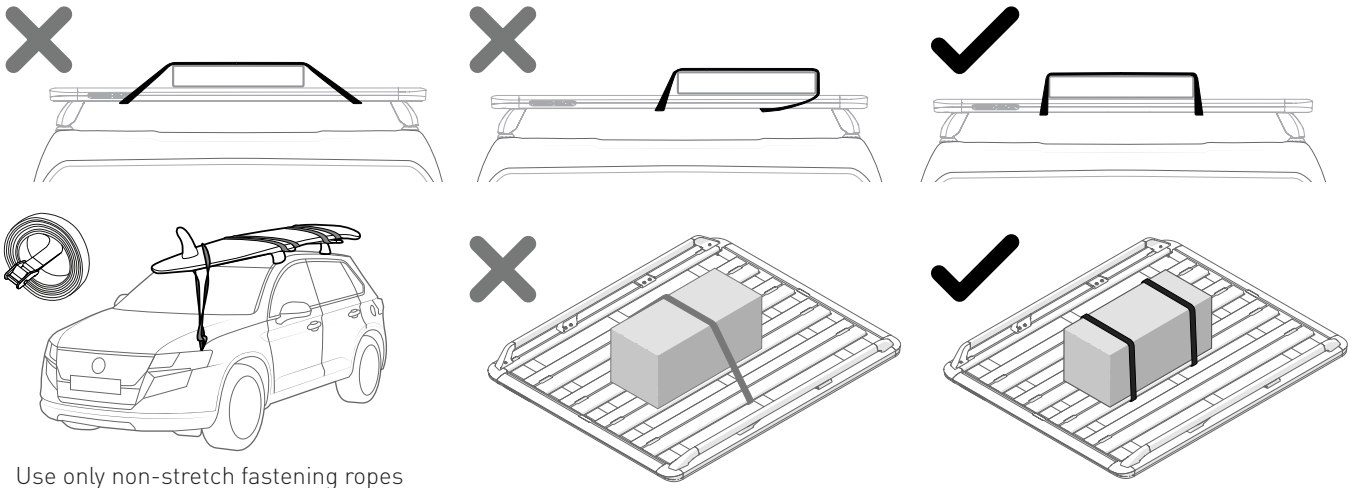


Warranty for roof rack system will be void if the front of the kayak is not secured to the bonnet



Tub/tray/canopys can move independently from the vehicle cabin.

Rigidly fix to either the cabin roof racks **or** the tub/tray/canopy roof racks but not both simultaneously.

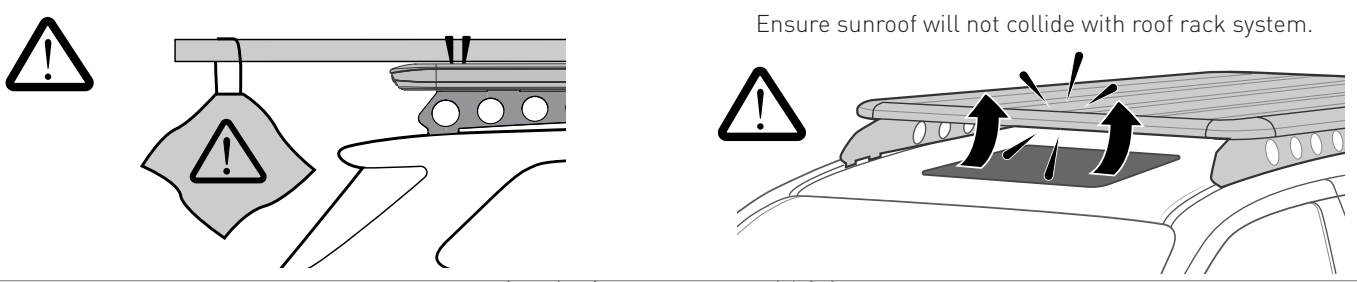


Use only non-stretch fastening ropes or straps to attach cargo to roof racks

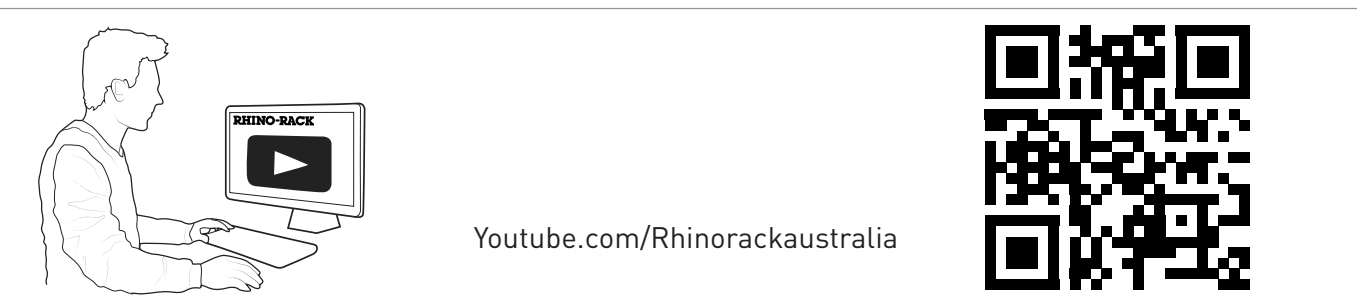
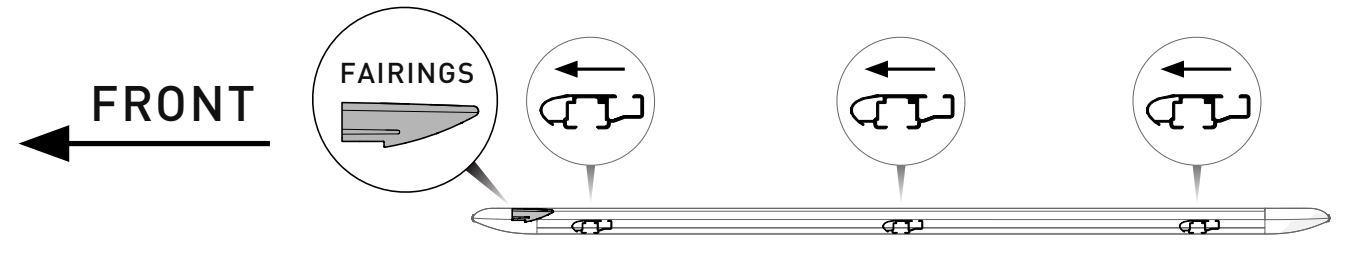
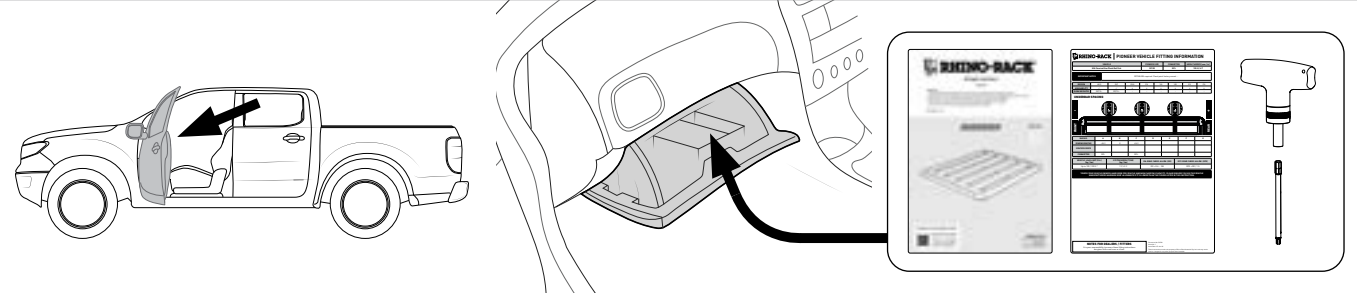


Racks must be removed when vehicle is put through an automatic car wash.

Ensure Ladder is well supported on the ground to support tent. Take extreme caution when climbing heights above 1.2m/4ft.



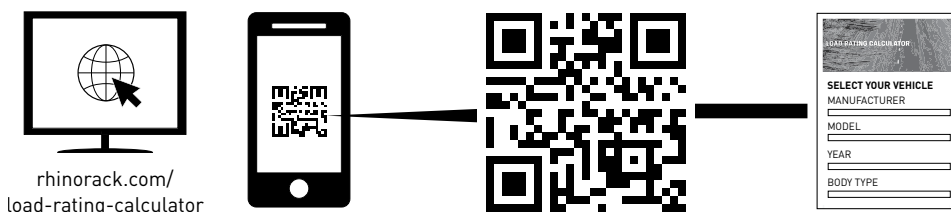
Ensure sunroof will not collide with roof rack system.



Youtube.com/Rhinorackaustralia

Carrying Capacity

Check the website and the vehicle owners hand book for your vehicle manufacturer’s maximum carrying capacity. Load must be evenly distributed over the system.



Cargo Load Limit

Total permissible weight allowed on top, and attached to the rack whilst the vehicle is in motion.



System Weight

Total weight of the rack system. (e.g. Crossbars, Backbone, Platform)



Max System Load Capacity

Please ensure you use the vehicle manufacturer’s maximum roof allowance if it is lower than the figure listed in the fitting chart/supplement.



Vehicle Manufacturer’s Load Limit

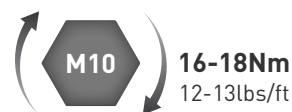
Total permissible weight attached to the rack. This is inclusive of the weight of the rack system.

In Service Maintenance Checks

- All bolt connections should be checked after driving a short distance when you first install your roof racks.
- All bolted connections should be checked again at regular intervals (weekly is recommended, depending on road conditions, usage, loads and distances travelled).
- All bolted connections should be checked each time they are re-fitted.
- Off-road conditions are more rigorous. Check all bolted connections and your load more regularly.
- Ensure that your vehicle manufacturer’s GVM, and gross axle weights are not exceeded (refer to vehicle owner’s manual).

Torque Settings:

Unless stated otherwise in these instructions, all fasteners should be set to the following torque settings:



Note for Dealers and Fitters

It is your responsibility to ensure these fitting instructions are given to the end user or client. These instructions remain the property of Rhino-Rack Australia Pty. Ltd. and may not be used or changed for any other purpose than intended.

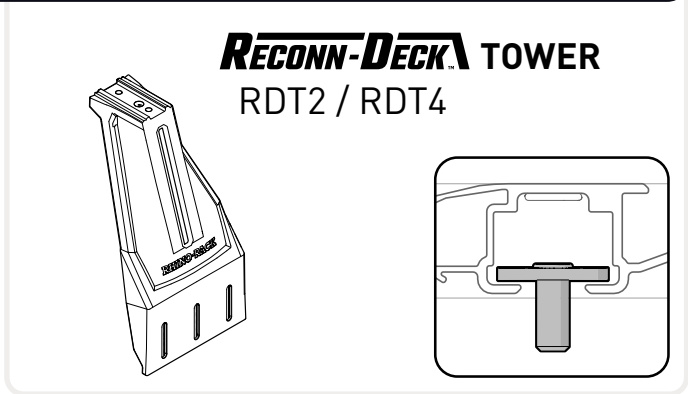
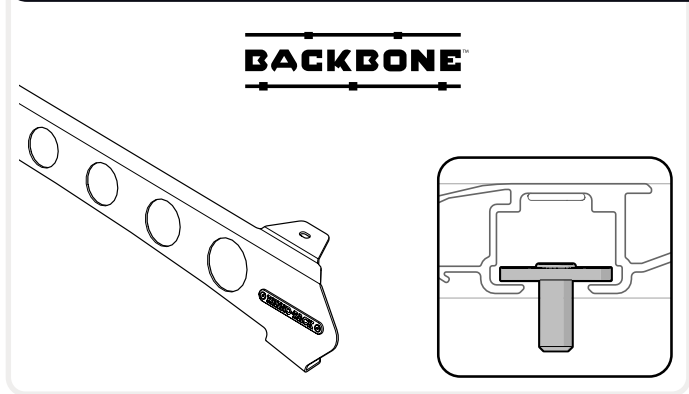
Warranty

We love creating our products for you and hope you love using them too. For complete peace of mind, register your product at www.rhinorack.com/warranty. This way, we can quickly help you with any future approved fitment warranty claims.

And remember – never to forget to **Make Space For Adventure!**

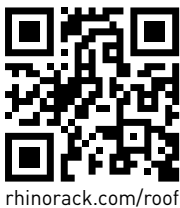
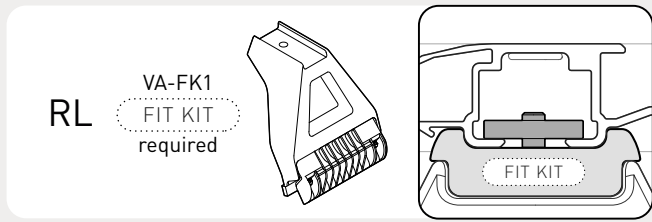
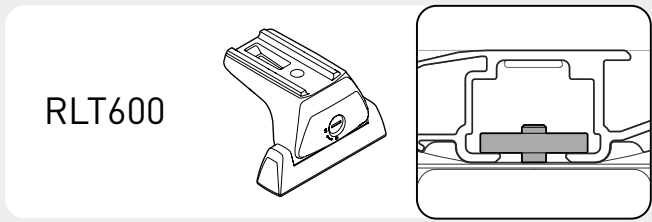
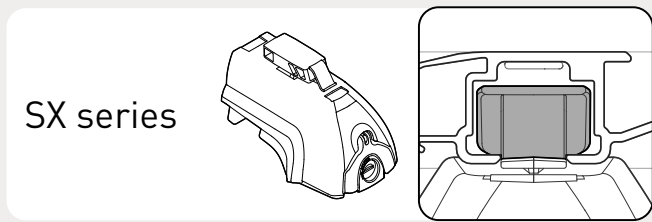
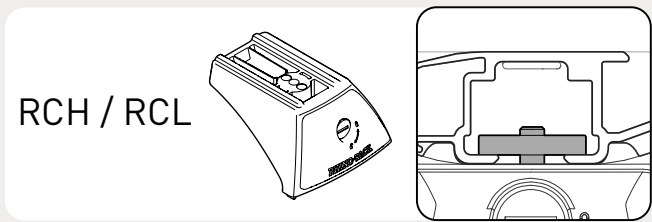
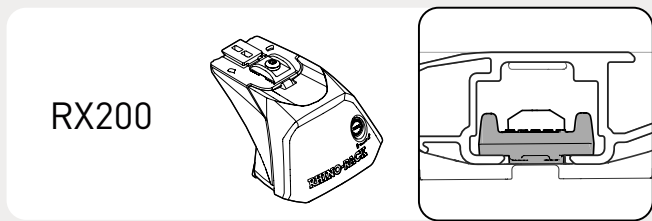
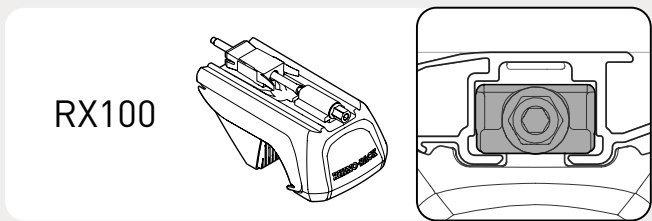
Compatibility

COMPLETE BACKBONE / RD TOWER INSTRUCTIONS FIRST BEFORE COMMENCING PLATFORM INSTALLATION



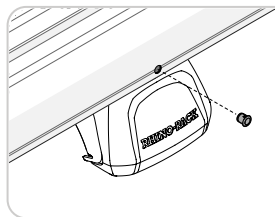
COMPLETE PLATFORM UNDERBAR SETUP BEFORE INSTALLING LEGS TO PLATFORM

LEGS

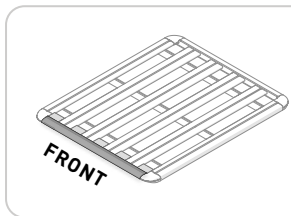


IMPORTANT NOTE:

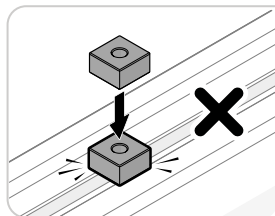
Compatibility of the above components is vehicle dependant. Please check viable fitments for your vehicle by following the "Fit My Vehicle" journey online.



If fitting **RX100 LEG** and drilling is required, refer to **NOTE 1** on **Page 23**
Applies to limited fitments

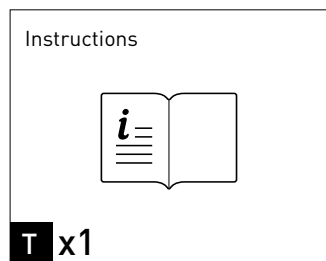
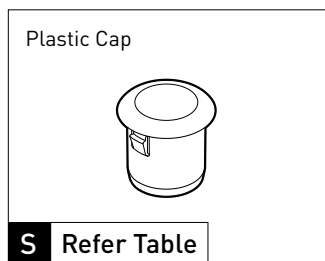
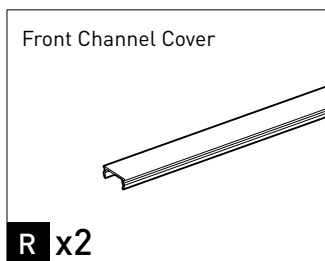
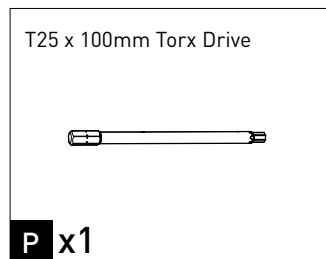
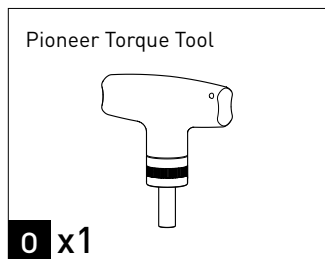
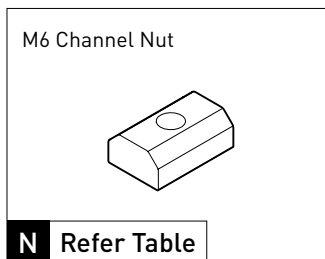
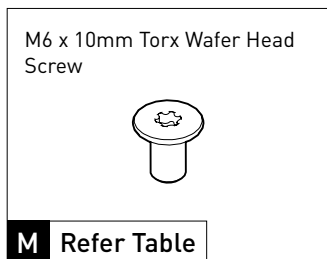
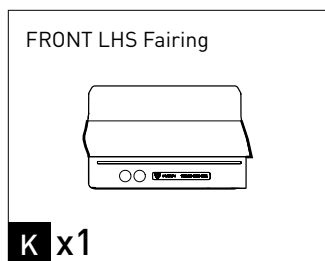
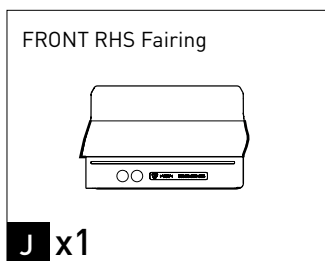
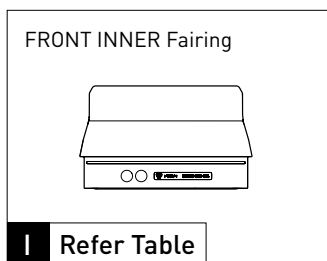
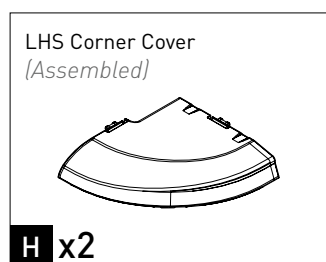
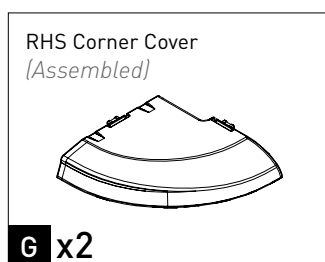
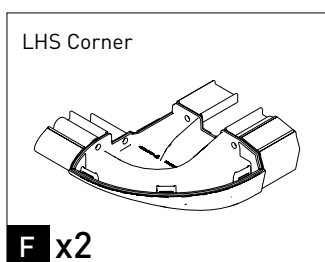
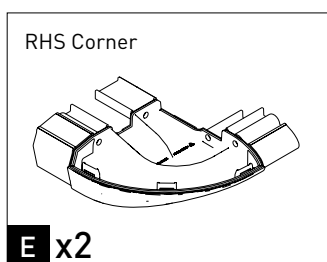
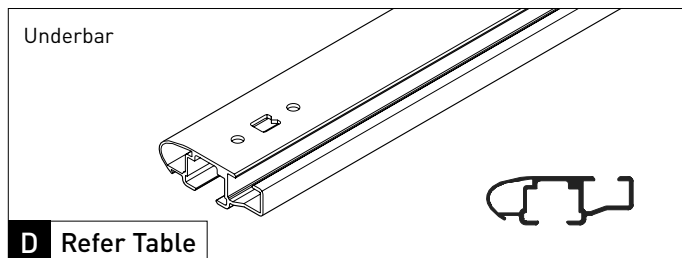
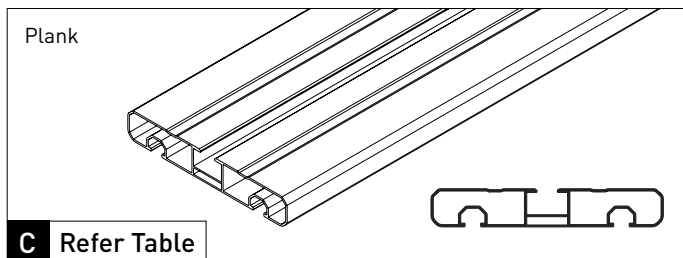
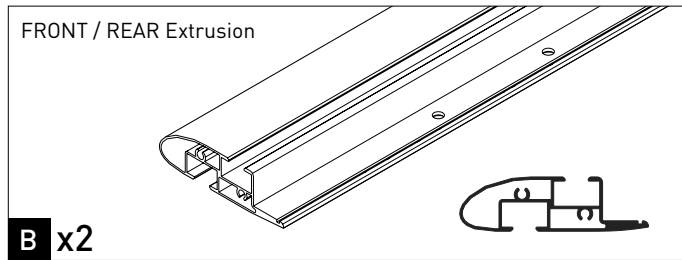
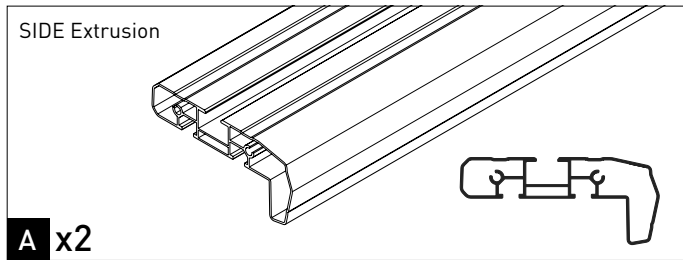


If fitting an **ACCESSORY** to **FRONT** channels, refer to **NOTE 2** on **Page 22**



If fitting an **ACCESSORY** without **ZWIFLOC** hardware, refer to **NOTE 3** on **Page 25**







Parts



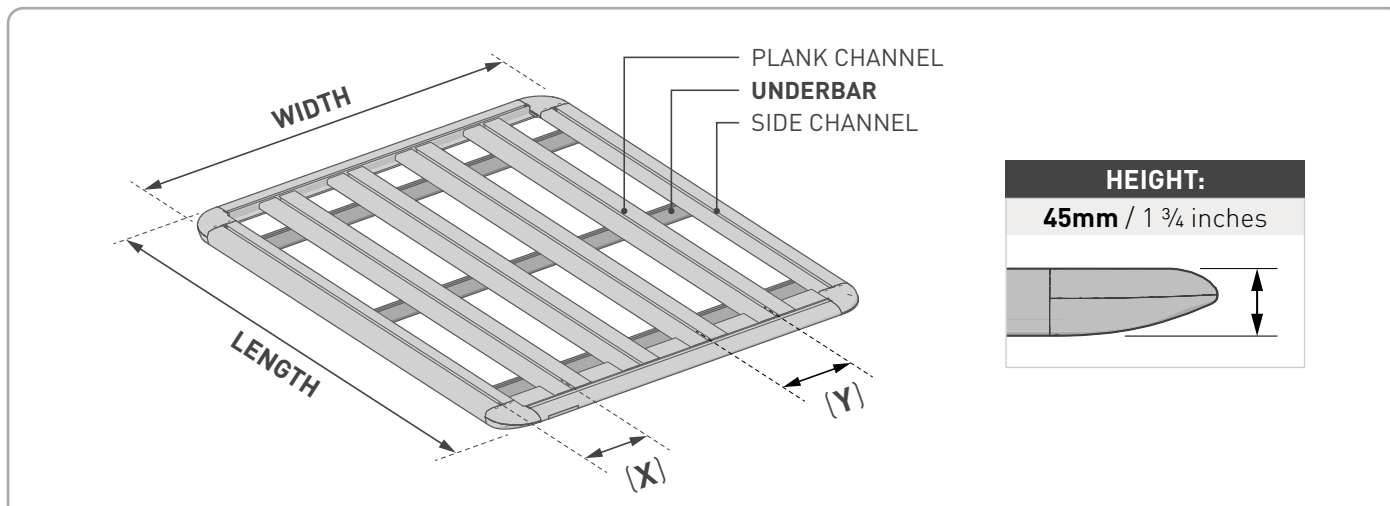
TOOLS REQUIRED:

- T1** - Power Drill
- T2** - Measuring Tape
- T3** - Pencil / Marker
- T4** - Tin Snips / Cutters
- T5** - 13mm Socket Wrench / Spanner (for Backbone fitments)
- T6** - Flathead screwdriver (for FRONT mounted Accessories)

Variable Parts Table

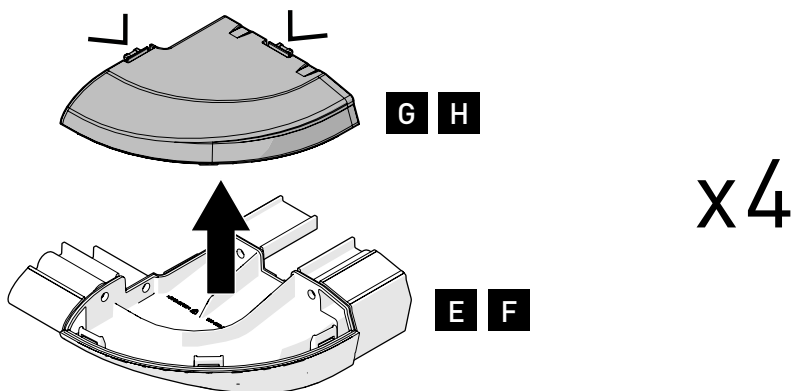
						
	C	D	I	M	N	S
62100F	4	3	3	52	52	6
62101F	5	3	4	62	62	6
62102F	4	5	3	76	76	6
62103F	5	5	4	90	90	6
62104F	5	5	4	90	90	N/A
62105F	5	7	4	118	118	N/A
62106F	5	6	4	104	104	N/A
62107F	4	5	3	76	76	N/A
62108F	5	5	4	90	90	N/A
62109F	4	3	3	52	52	6
62110F	5	3	4	62	62	6
62111F	5	3	4	62	62	6
62112F	5	2	4	48	48	N/A
62113F	5	3	4	62	62	N/A
62114F	5	3	4	62	62	N/A
62115F	5	3	4	62	62	N/A

Platform Sizes

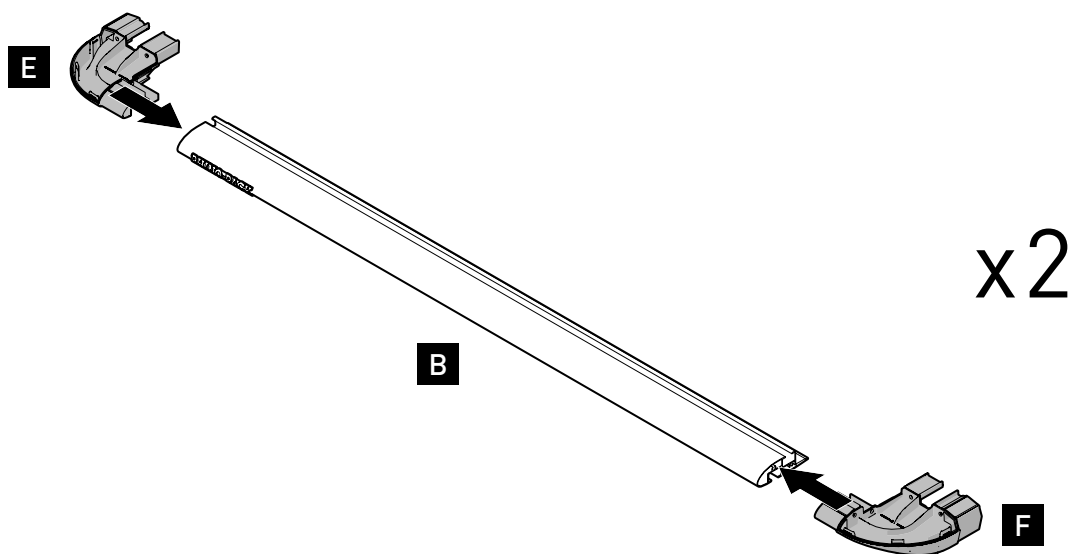


MODEL	LENGTH (mm / inches)	WIDTH (mm / inches)	(X) SIDE to PLANK CHANNEL (mm / inches)	(Y) PLANK to PLANK CHANNEL (mm / inches)	APPROX. WEIGHT (kg / lbs)
62112F	900 / 35 7/16	1430 / 56 5/16	193 / 7 5/8	232 / 9 1/8	12.5 / 27.6
62115F	1100 / 43 5/16	1430 / 56 5/16	193 / 7 5/8	232 / 9 1/8	15.6 / 34.4
62109F	1300 / 51 3/16	1240 / 48 13/16	214 / 8 7/16	232 / 9 1/8	14.8 / 32.6
62110F	1300 / 51 3/16	1380 / 54 5/16	168 / 6 5/8	232 / 9 1/8	16.9 / 37.3
62111F	1300 / 51 3/16	1430 / 56 5/16	193 / 7 5/8	232 / 9 1/8	17.1 / 37.7
62100F	1500 / 59 1/16	1240 / 48 13/16	214 / 8 7/16	232 / 9 1/8	16.2 / 35.7
62101F	1500 / 59 1/16	1380 / 54 5/16	168 / 6 5/8	232 / 9 1/8	18.6 / 41.0
62113F	1500 / 59 1/16	1430 / 56 5/16	193 / 7 5/8	232 / 9 1/8	18.8 / 41.4
62114F	1500 / 59 1/16	1580 / 62 3/16	268 / 10 9/16	232 / 9 1/8	19.6 / 43.2
62108F	1800 / 70 7/8	1430 / 56 5/16	193 / 7 5/8	232 / 9 1/8	23.9 / 52.7
62102F	1900 / 74 13/16	1240 / 48 13/16	214 / 8 7/16	232 / 9 1/8	21.4 / 47.2
62103F	1900 / 74 13/16	1380 / 54 5/16	168 / 6 5/8	232 / 9 1/8	24.5 / 54.0
62107F	2100 / 82 11/16	1240 / 48 13/16	214 / 8 7/16	232 / 9 1/8	22.8 / 50.3
62104F	2100 / 82 11/16	1430 / 56 5/16	193 / 7 5/8	232 / 9 1/8	26.5 / 58.4
62106F	2500 / 98 7/16	1580 / 62 3/16	268 / 10 9/16	232 / 9 1/8	32.5 / 71.7
62105F	2700 / 106 5/16	1472 / 57 15/16	214 / 8 7/16	232 / 9 1/8	34.4 / 75.8

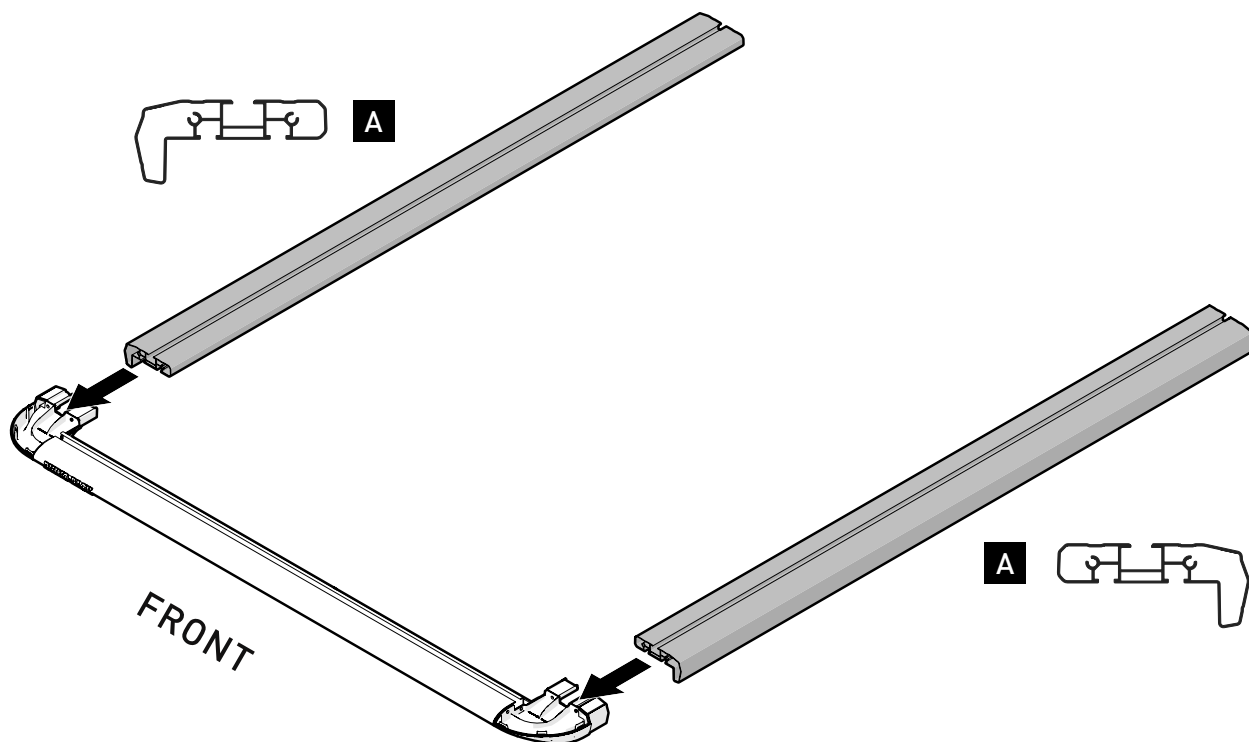
A1



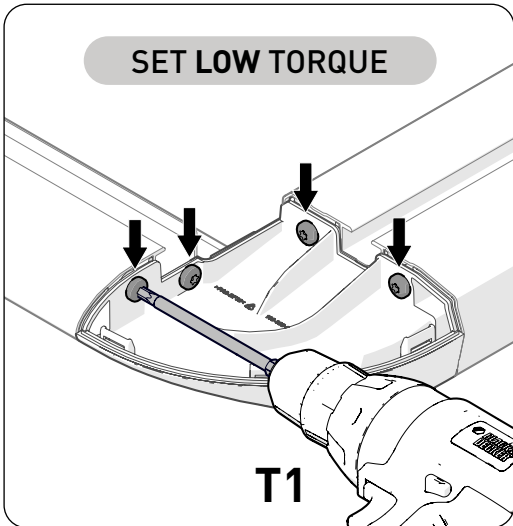
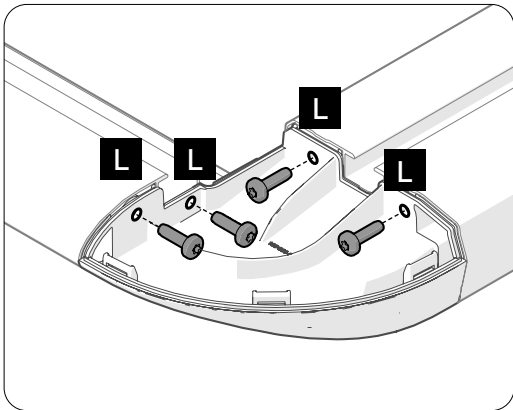
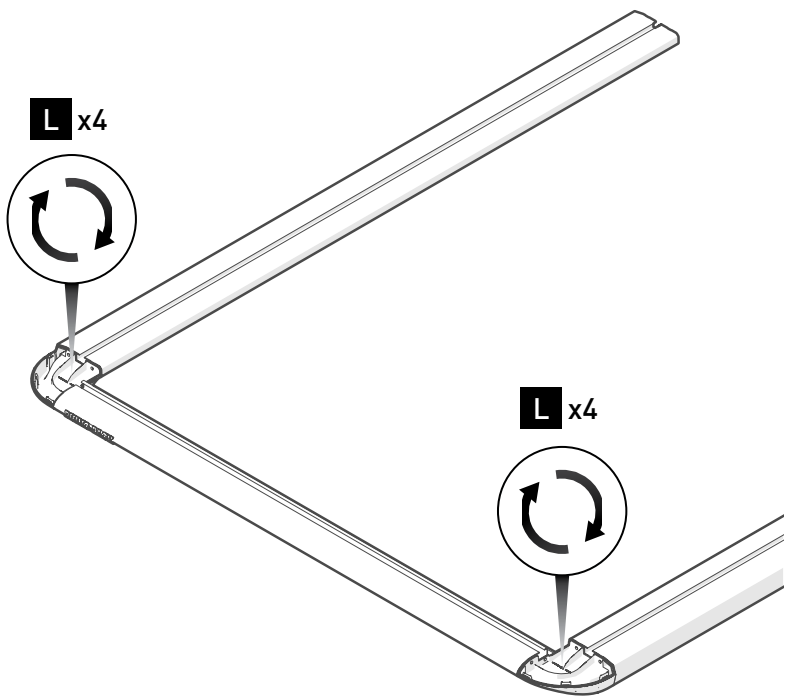
A2



A3



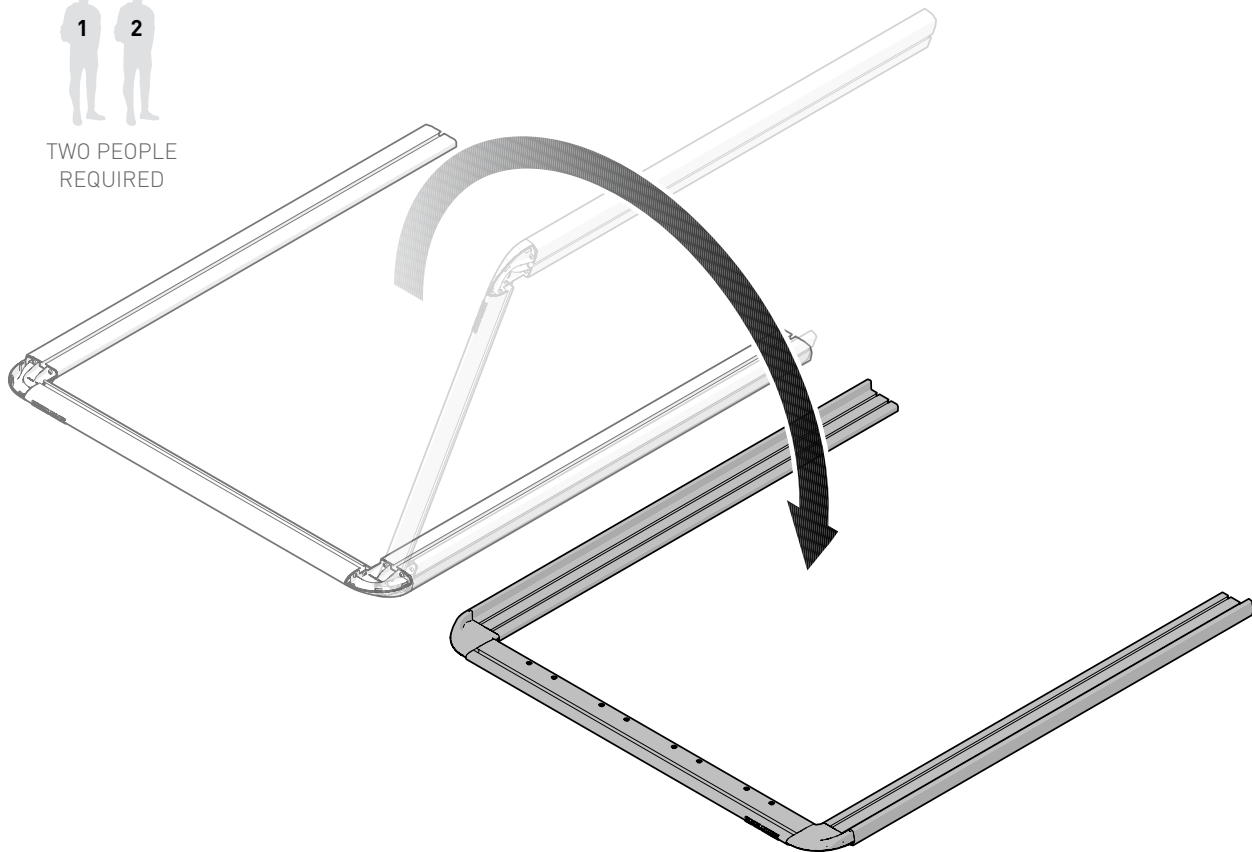
A4



A5

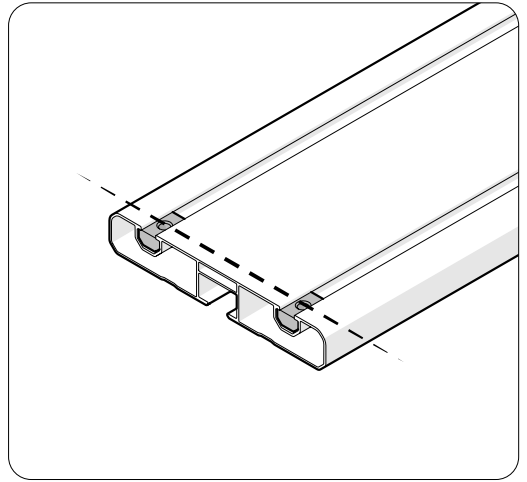
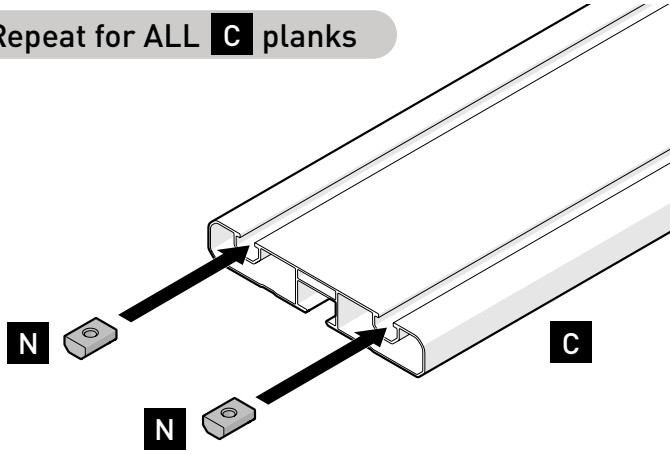


TWO PEOPLE
REQUIRED

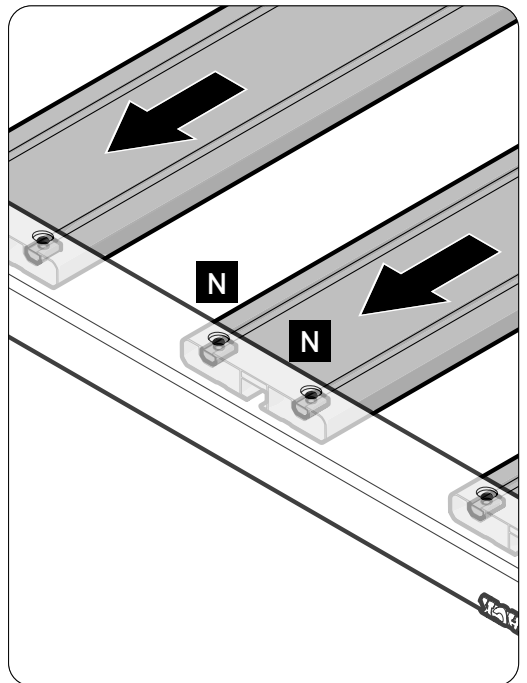
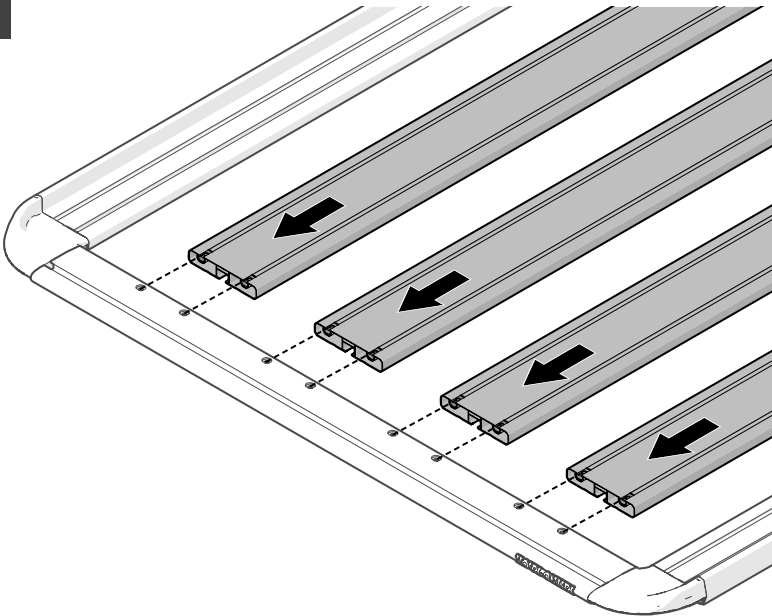


A6

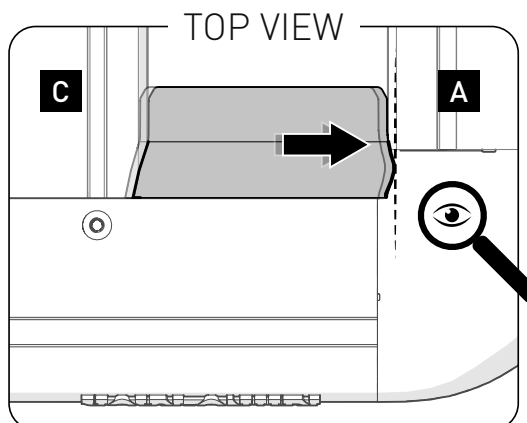
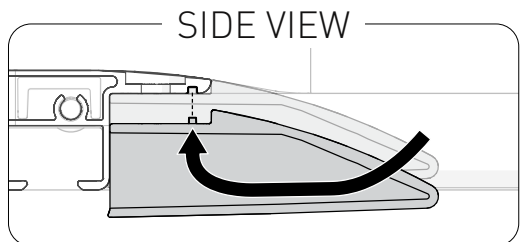
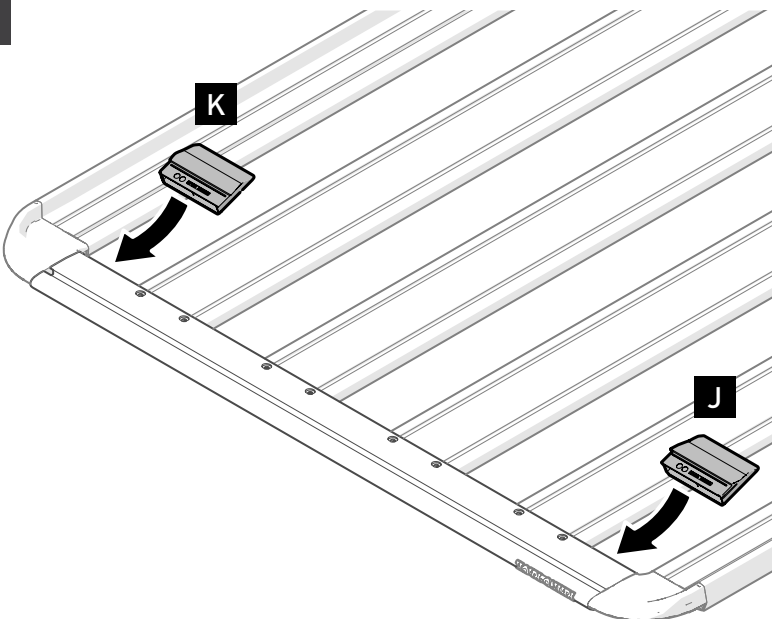
Repeat for ALL **C** planks

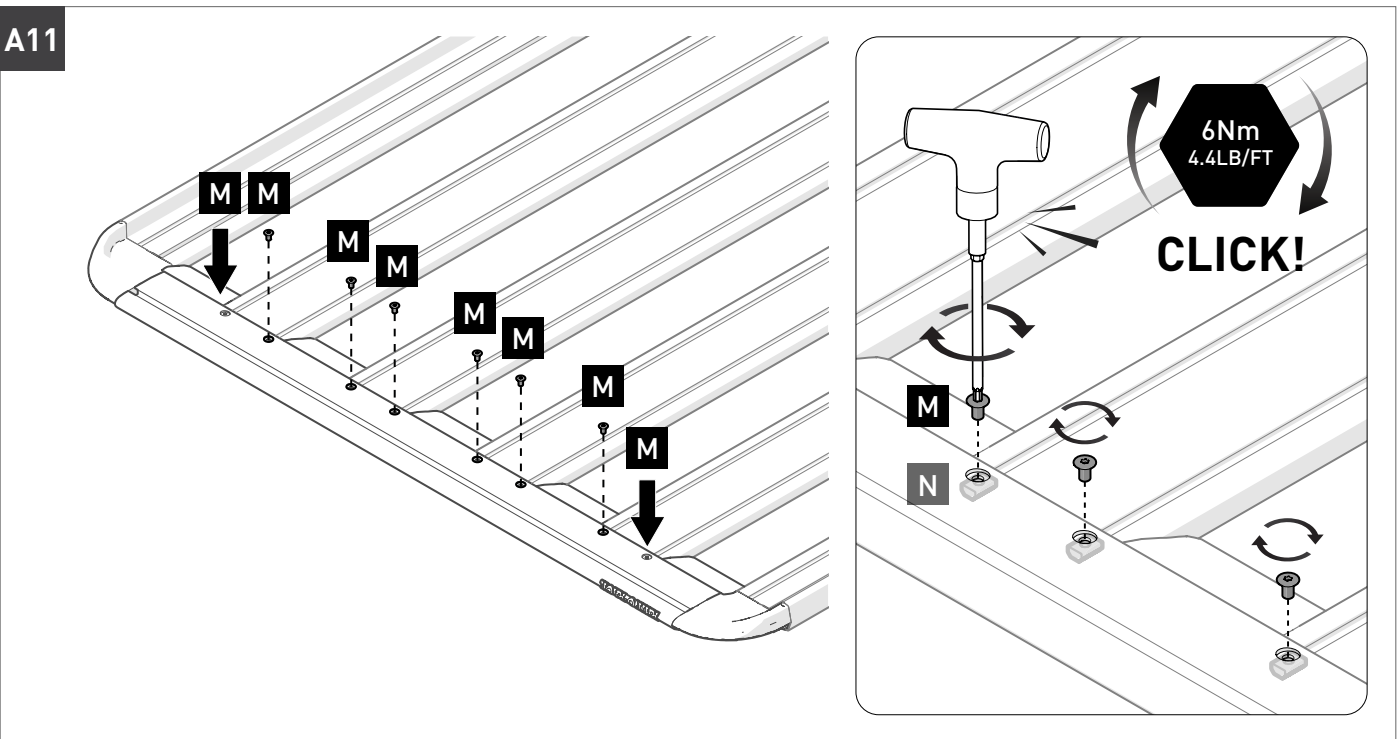
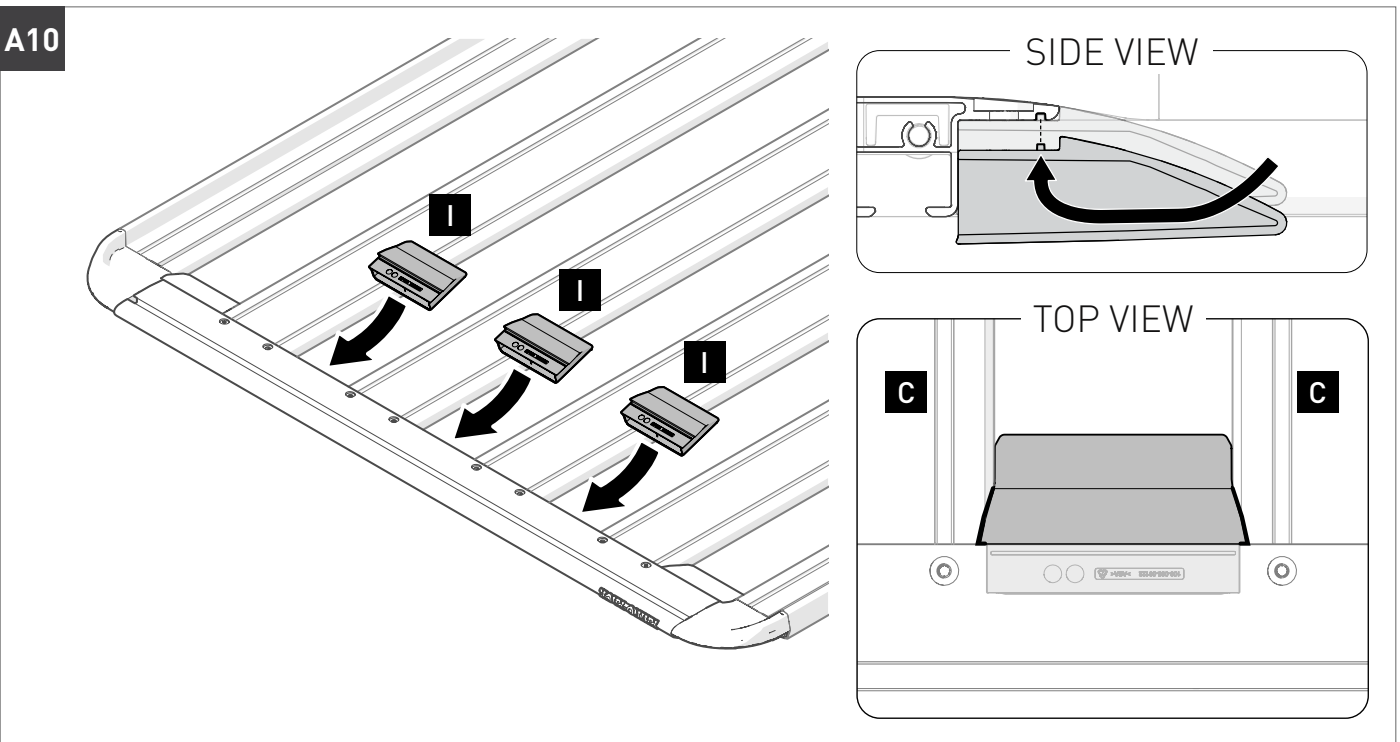
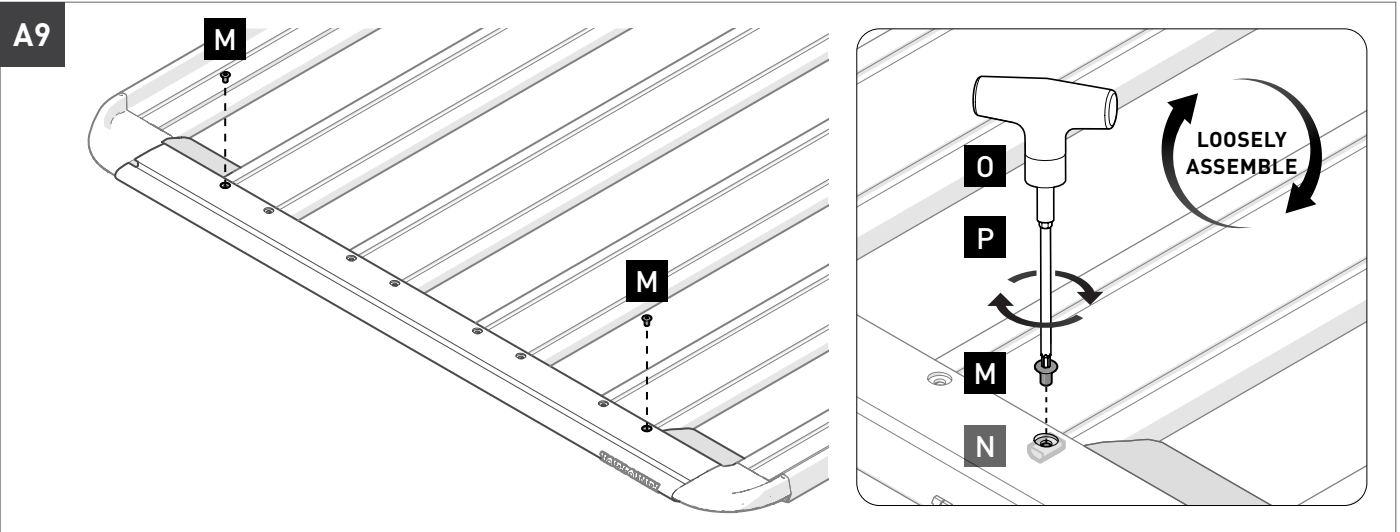


A7

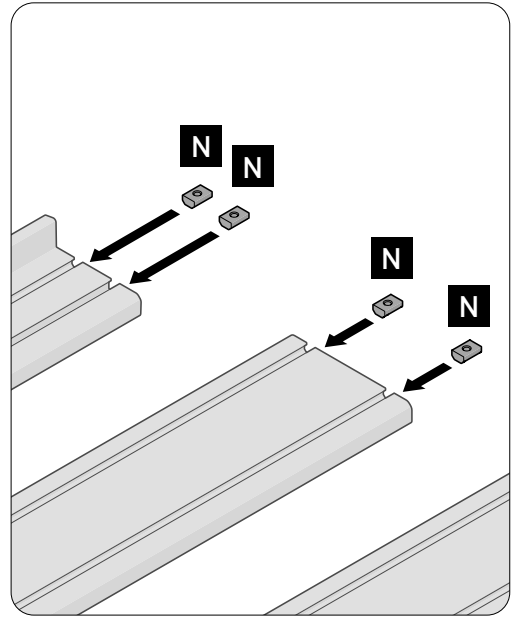
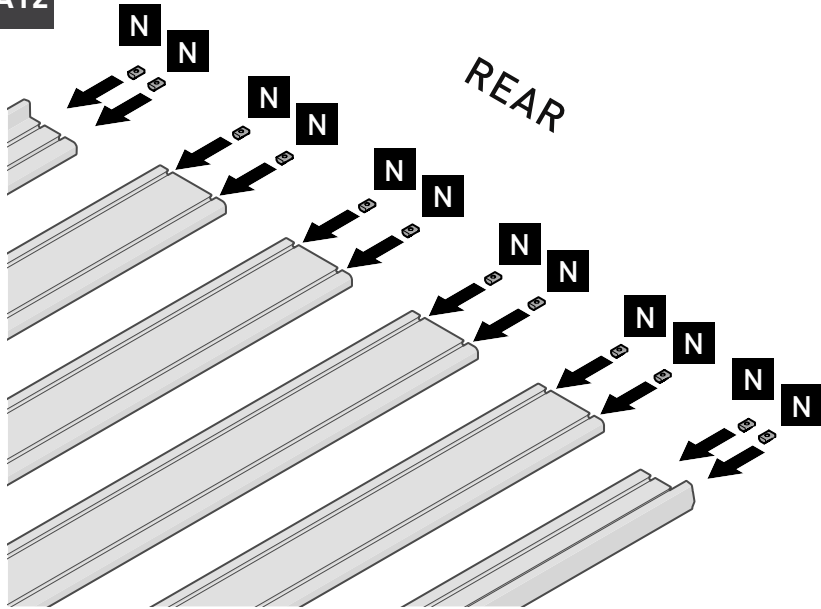


A8

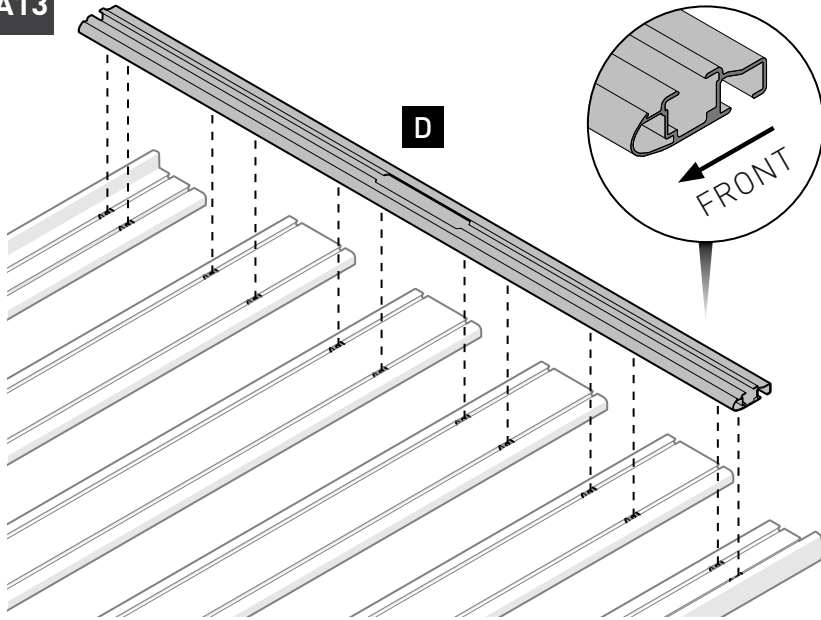




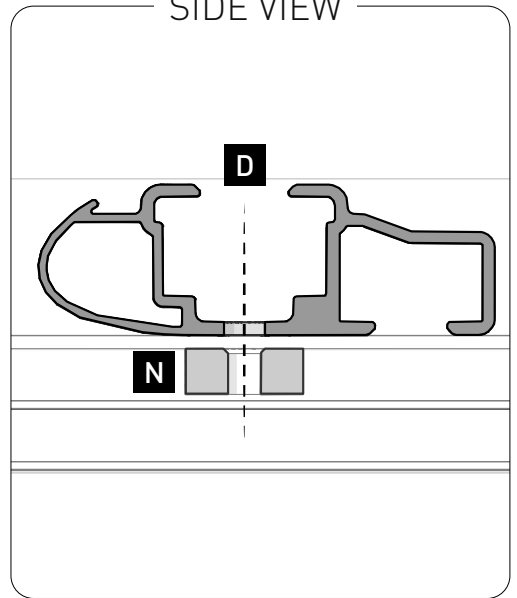
A12



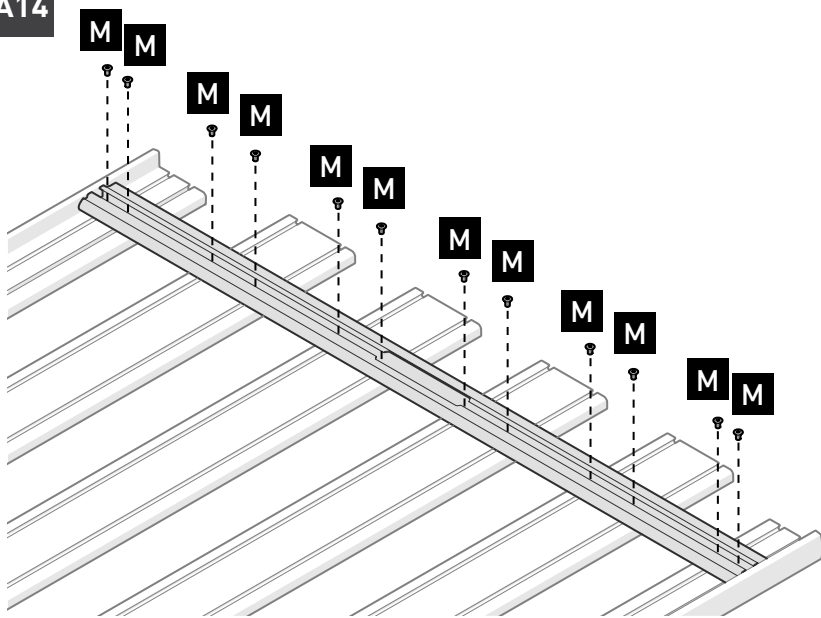
A13



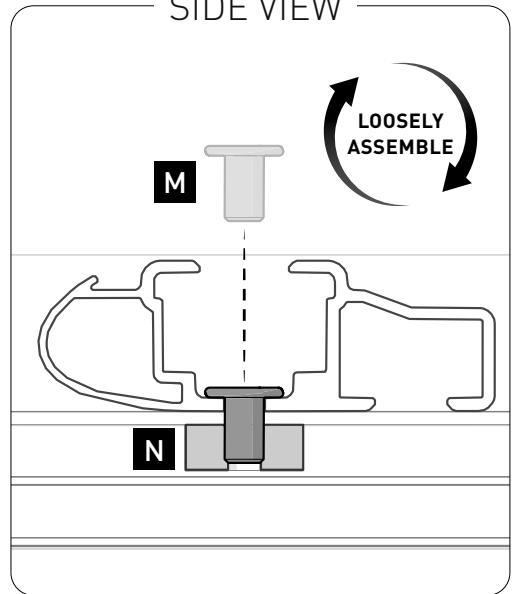
SIDE VIEW



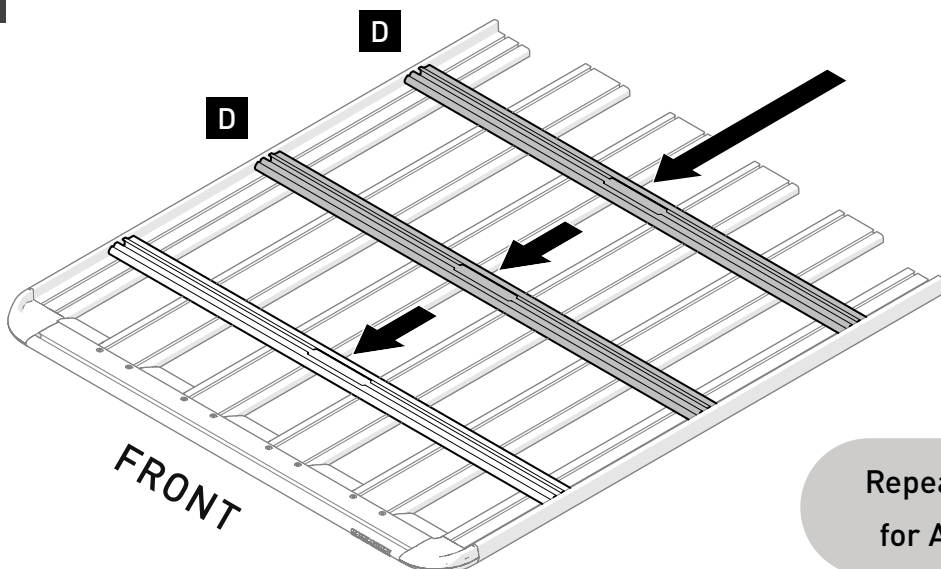
A14



SIDE VIEW

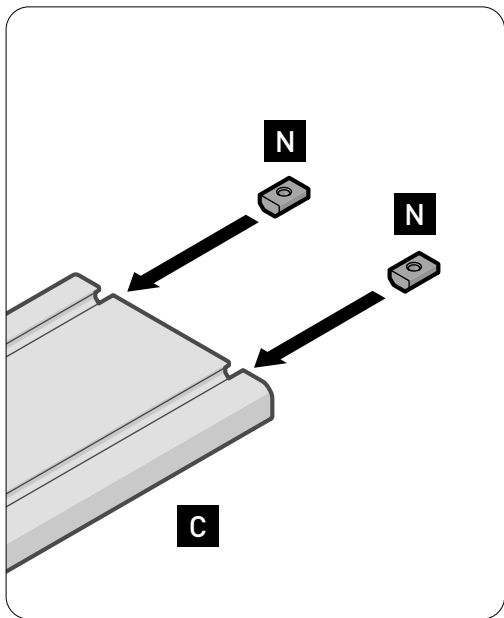
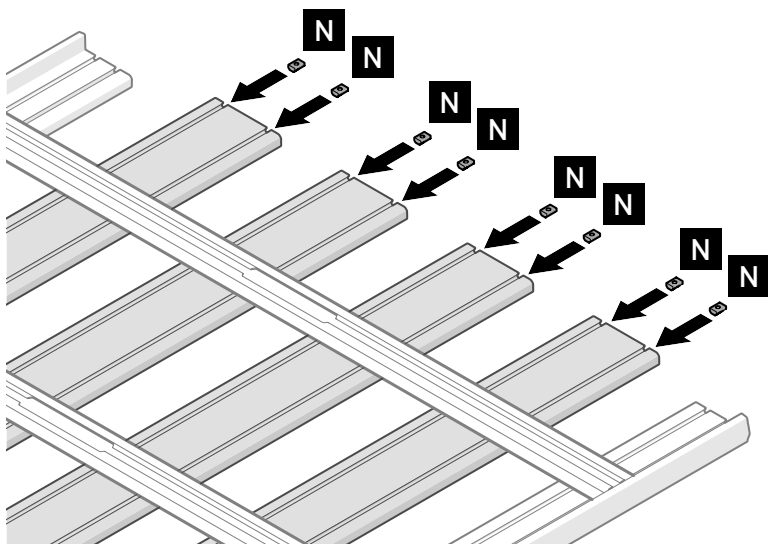


A15

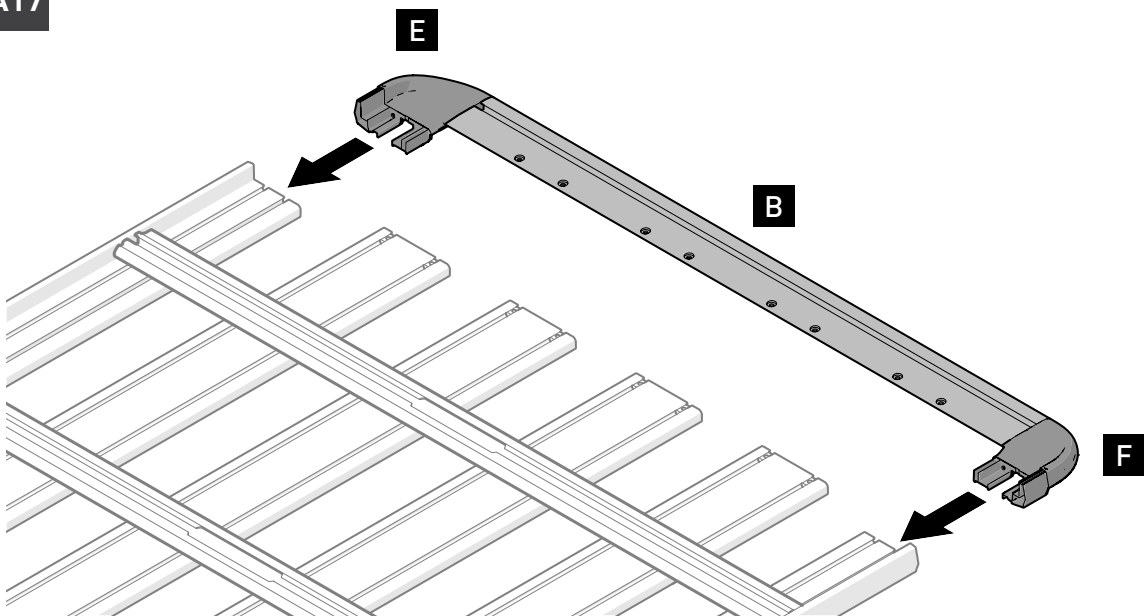


Repeat Steps **A12** to **A14** for ALL **D** underbars

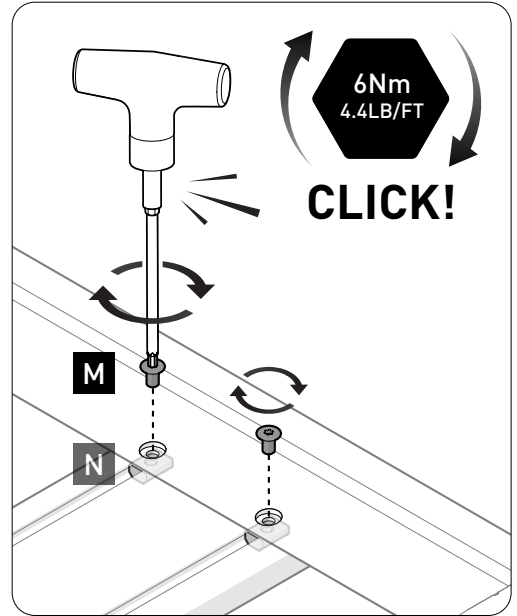
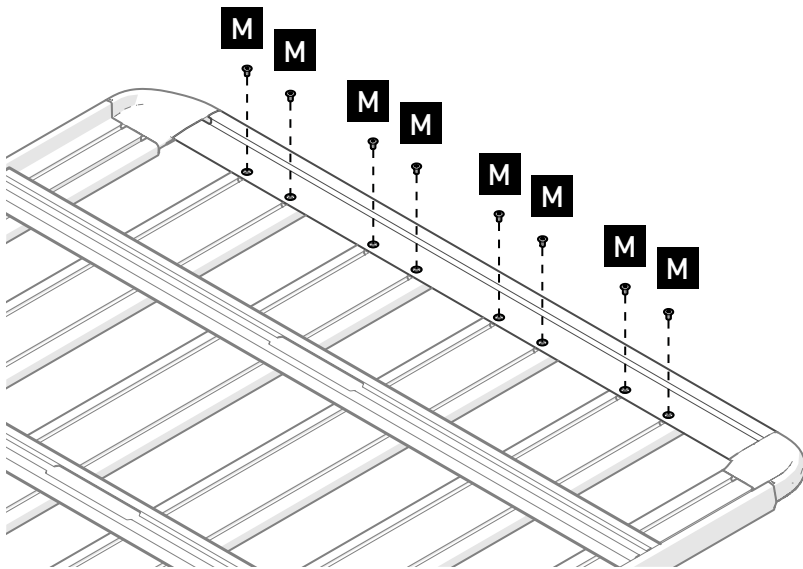
A16



A17



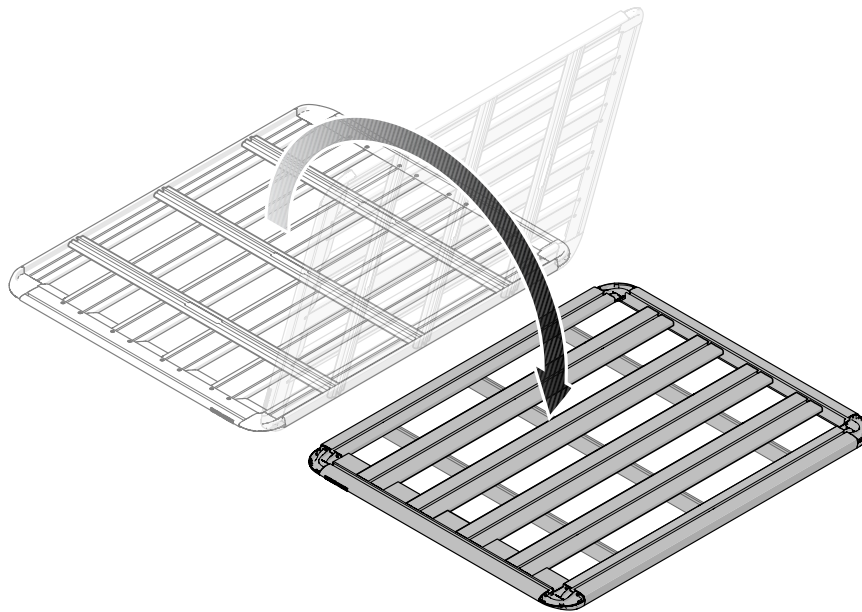
A18



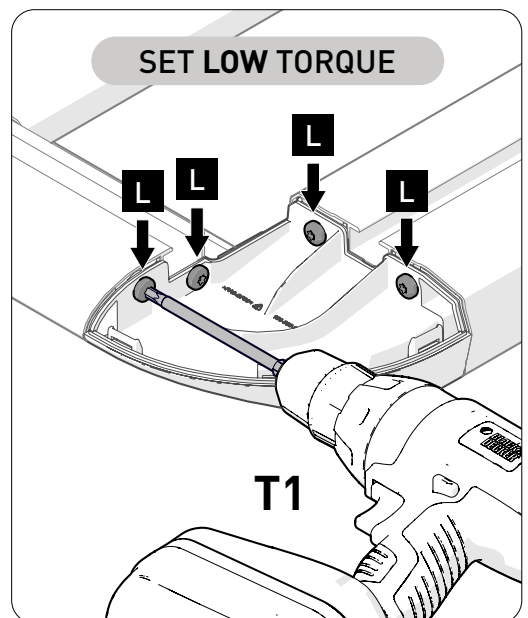
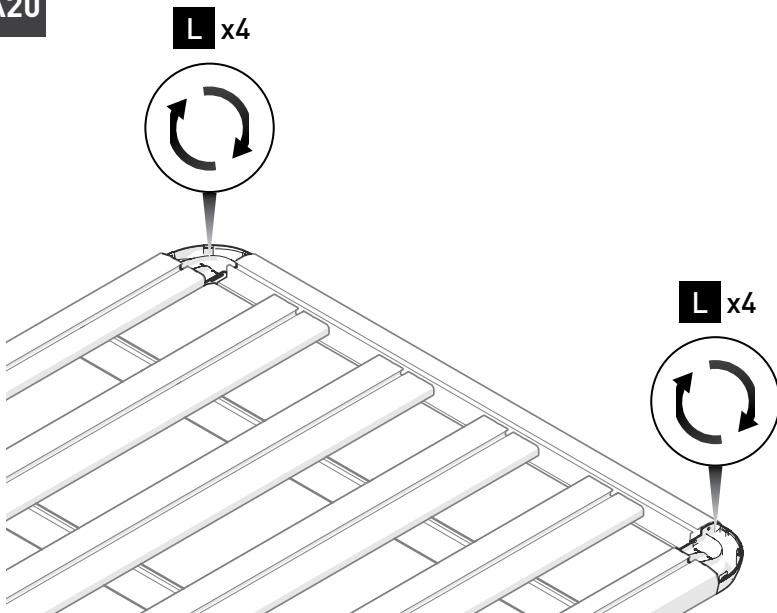
A19



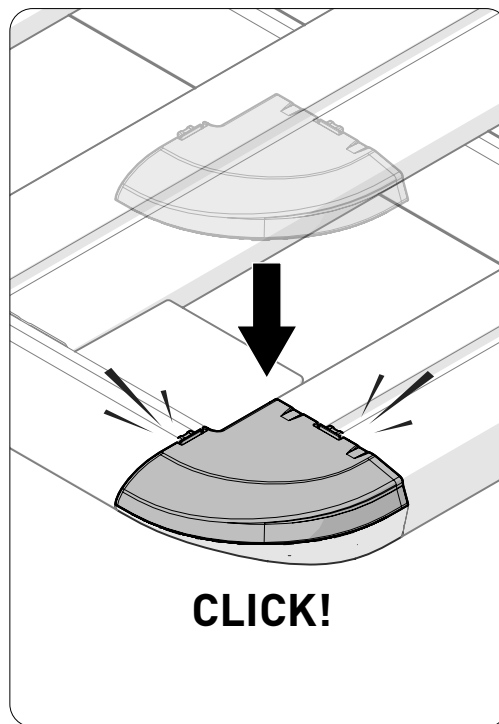
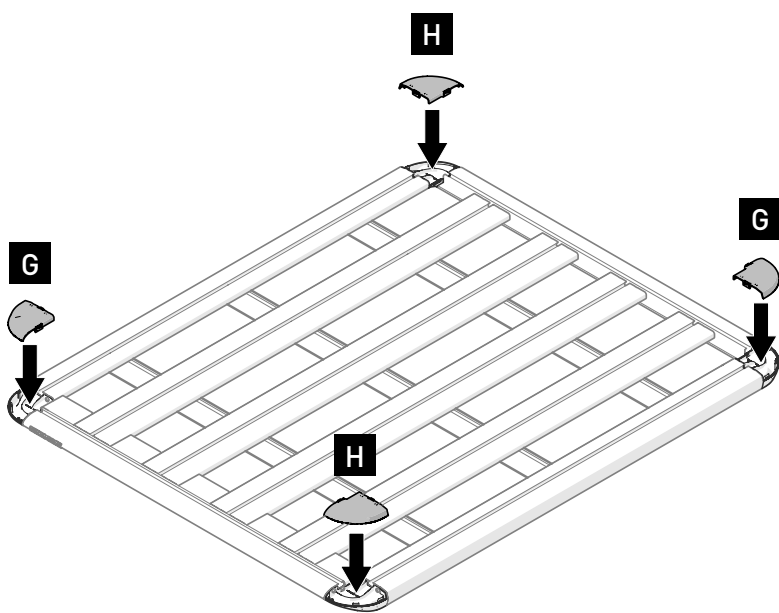
TWO PEOPLE
REQUIRED



A20



A21

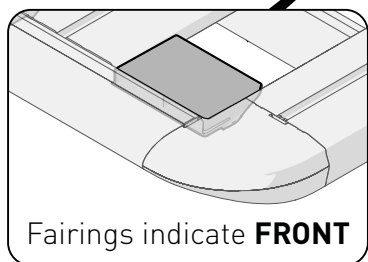
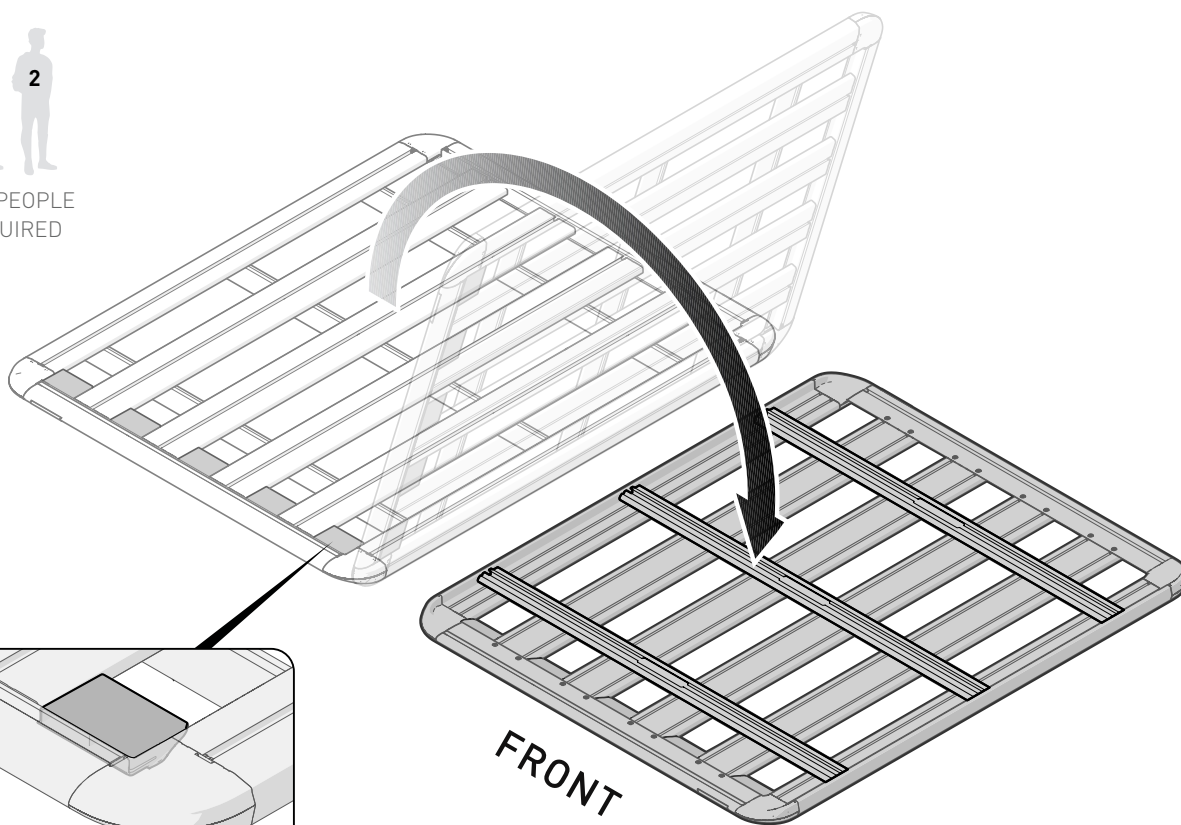


ASSEMBLY IS COMPLETE

1

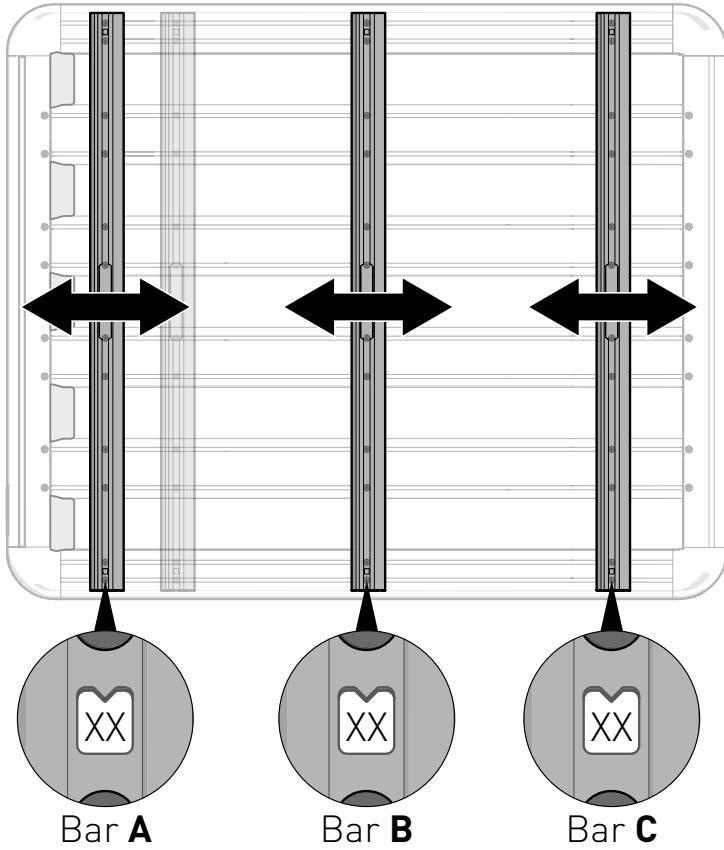


TWO PEOPLE
REQUIRED



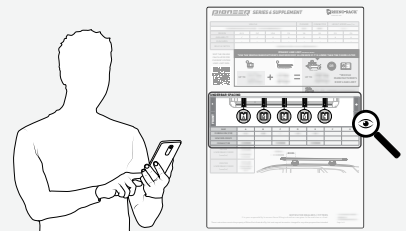
2

FRONT



rhinorack.com/roof

1. Complete **Fit my vehicle** journey
2. Select your **Product Solution**
3. Scroll down to '**Product Details**'
4. Select the '**INSTRUCTIONS**' tab to View the Fitting Chart
5. Space your Underbars to the dimensions provided.

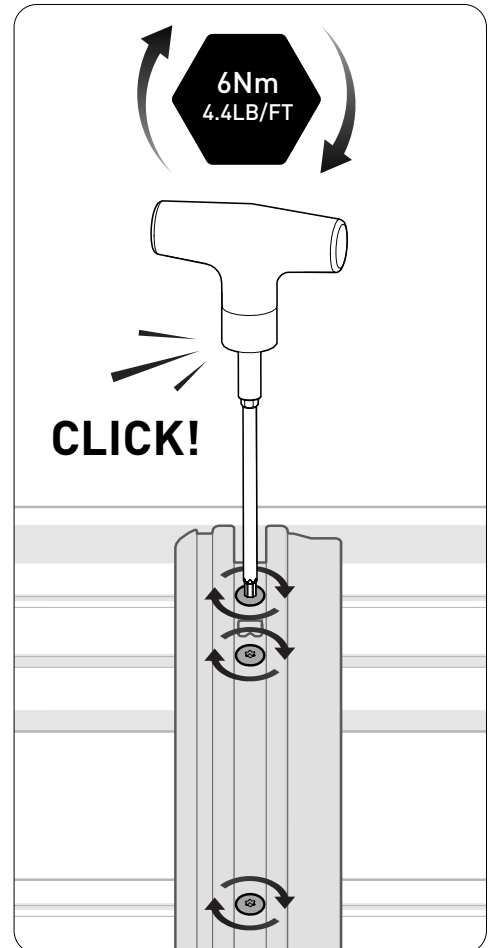
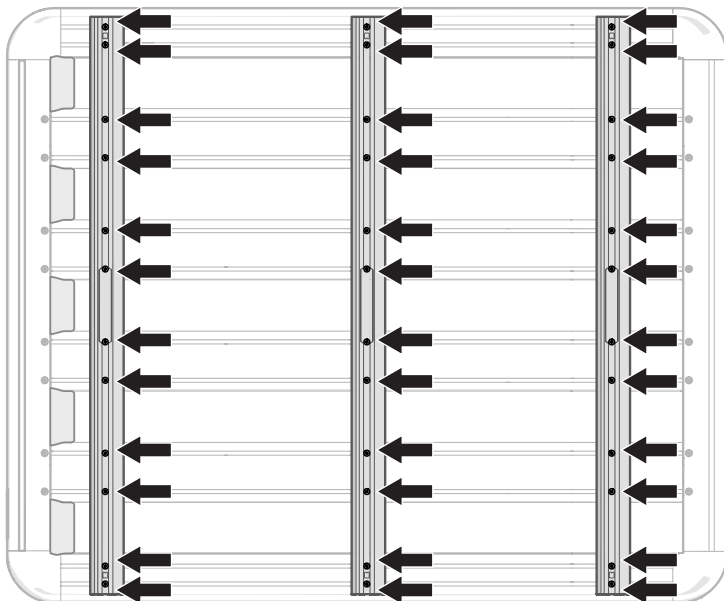


VIEW FIT CHART

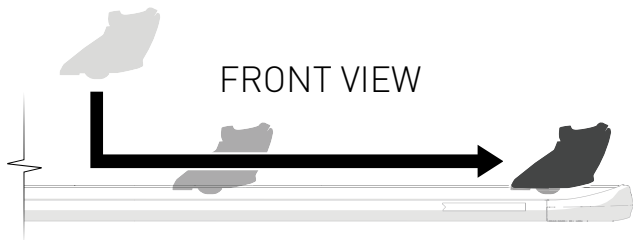
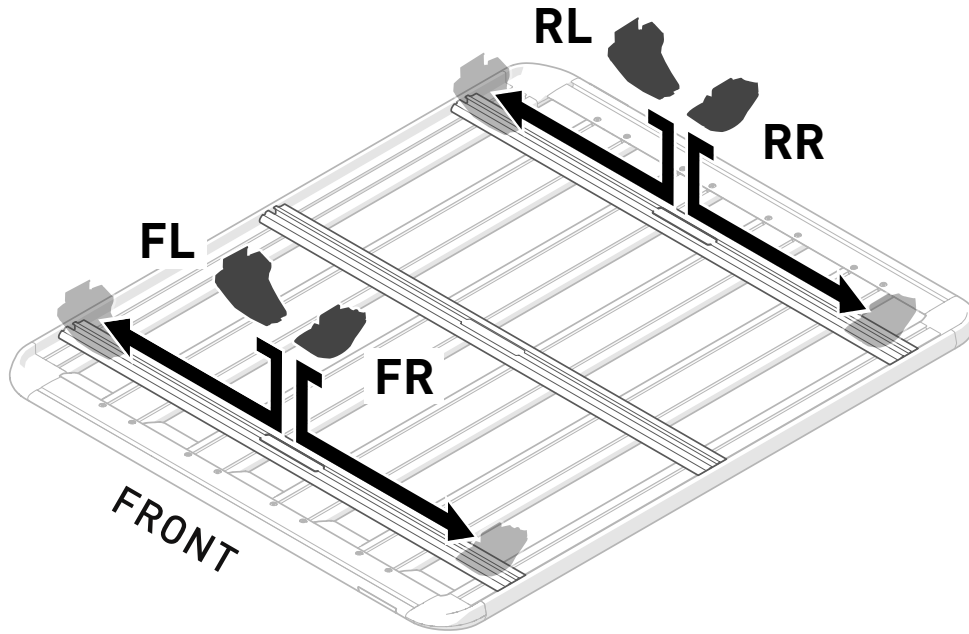
NOTE: Refer to your *Vehicle Specific Pioneer Fit Chart* for your underbar position. The number of underbars varies between platforms.

3

FRONT



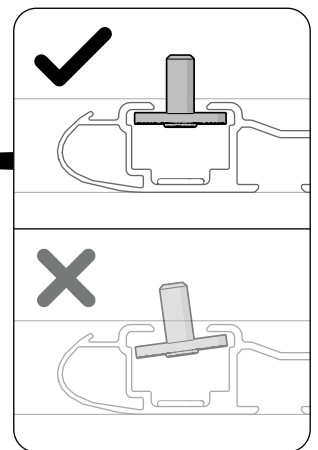
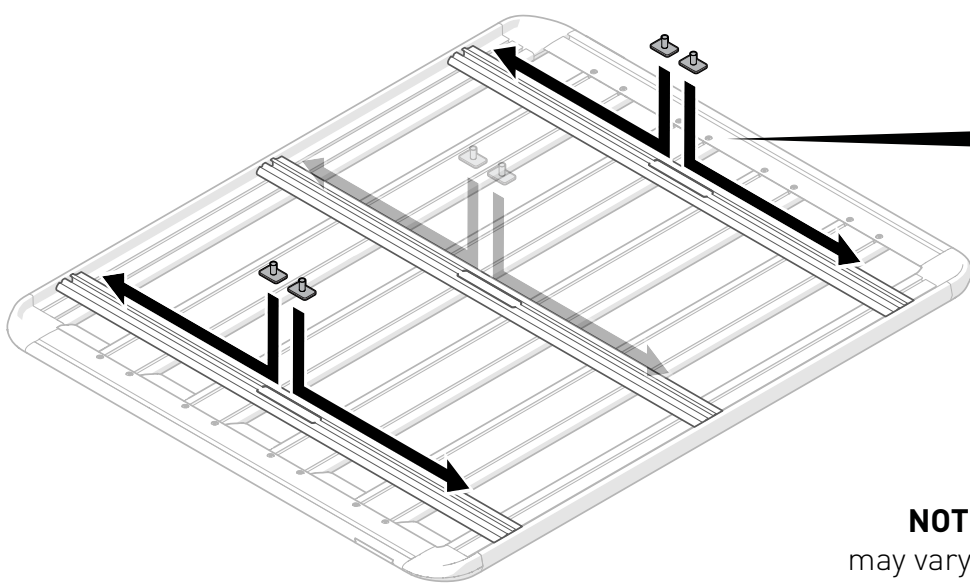
4 FOR INSTALLATION WITH LEGS:



INSTALL ACCORDING TO LEG INSTRUCTIONS AND PIONEER FITTING CHART

NOTE: Refer to COMPATIBILITY section on Page 6 for possible leg fitments

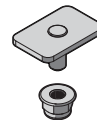
FOR INSTALLATION WITH BACKBONE and RECONN-DECK TOWERS:



NOTE: number of underbars may vary between platform sizes

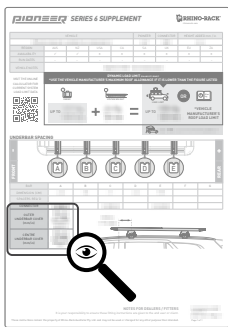
HARDWARE PROVIDED IN BACKBONE / RD TOWER KIT

Quantity depends on platform size:

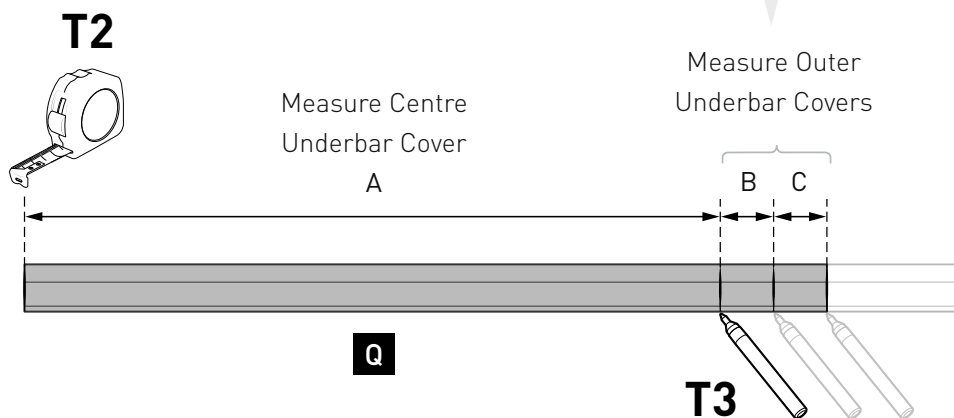


5 Mark dimensions accurately to ensure correct sealing around LEGS / BACKBONES / RD TOWERS

NOTE: Some fits do not require OUTER covers

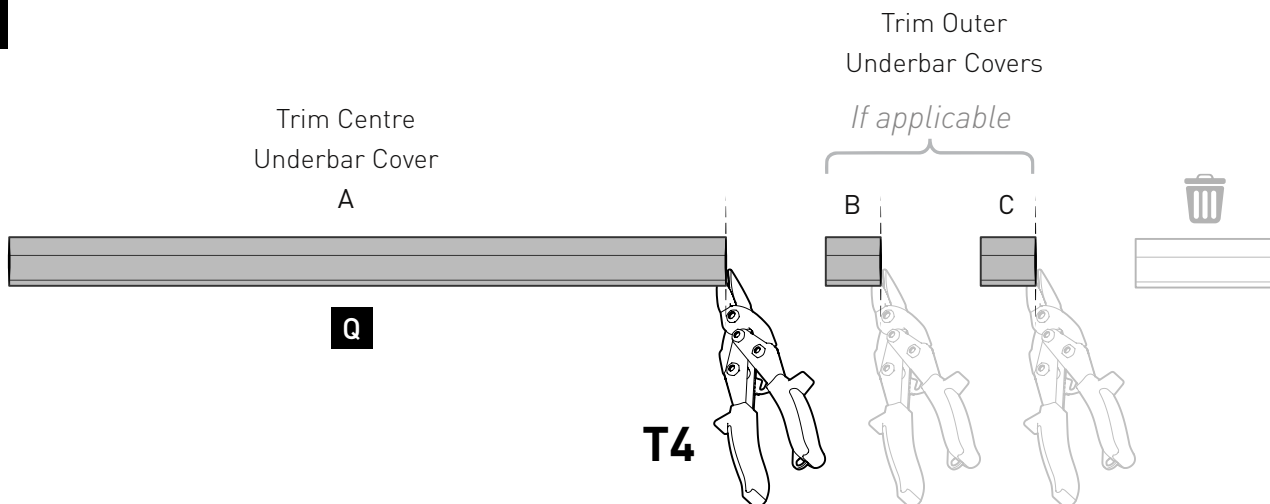


VIEW FIT CHART



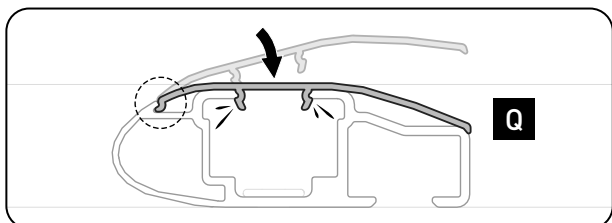
For **UNDERBAR COVER MEASURE STEPS** proceed to Steps **11** - **13** then resume to Step **6**

6



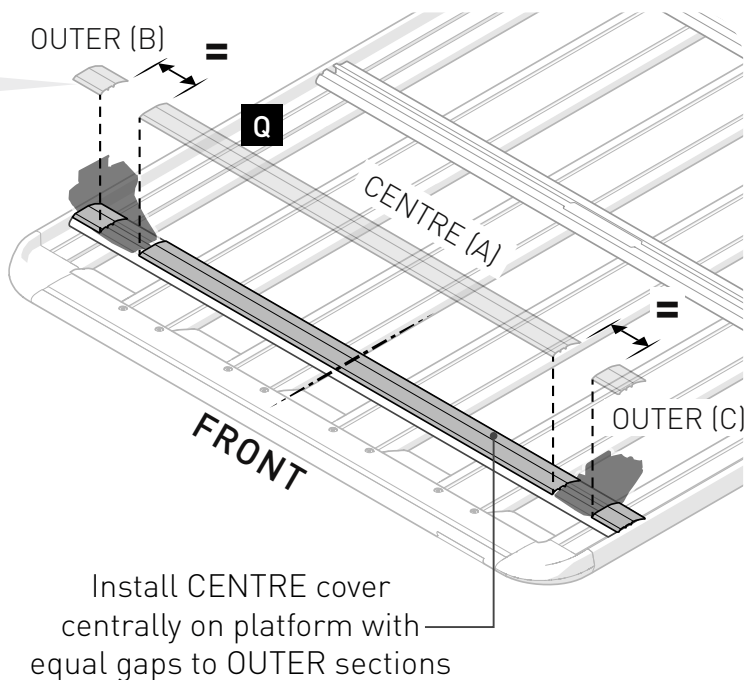
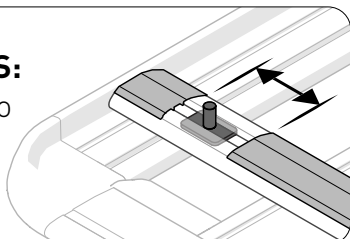
7

NOTE: When legs sit flush to platform side extrusions, OUTER sections not required



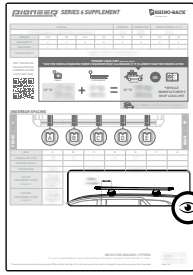
FOR T-BOLT FITS:

Slide T-bolts into gap on either side

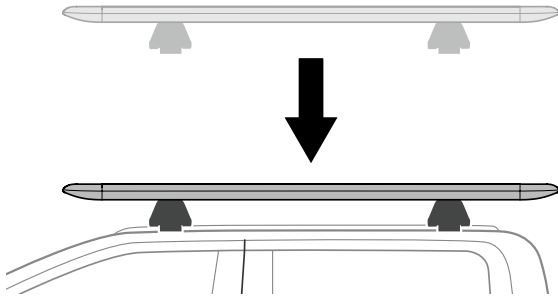


8

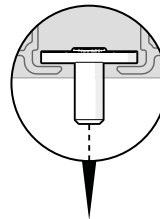
LEGS:



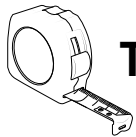
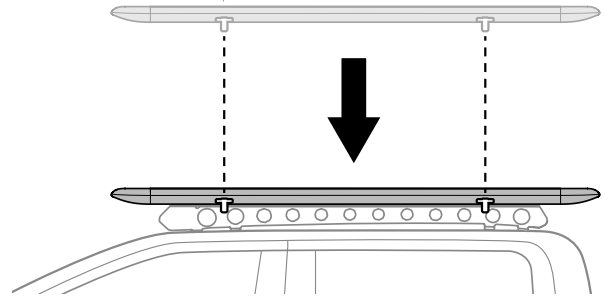
Position to dimension on **Fit Chart**, if provided



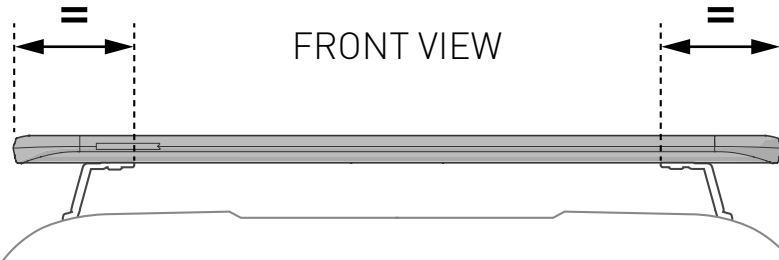
BACKBONE / RECONN-DECK TOWERS:



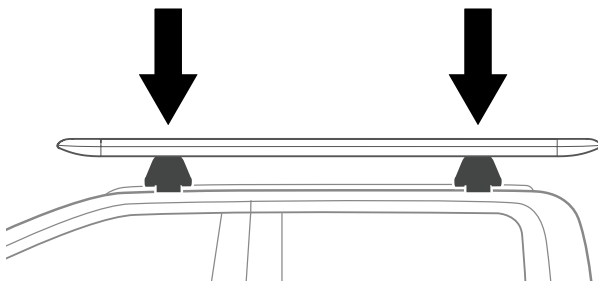
OR



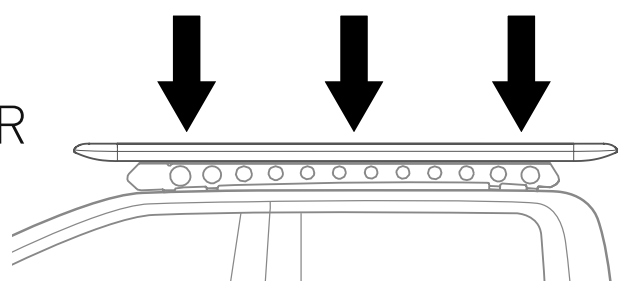
T2



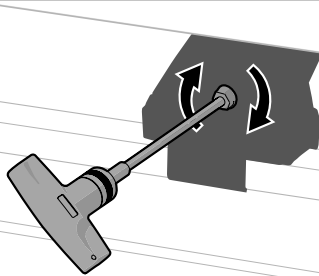
9



OR

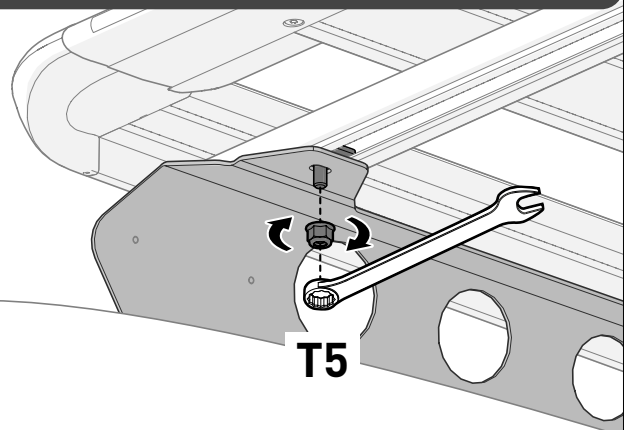


TIGHTEN ACCORDING TO LEG INSTRUCTIONS



If torque is not stated in **LEG** instruction, tighten to **6Nm**

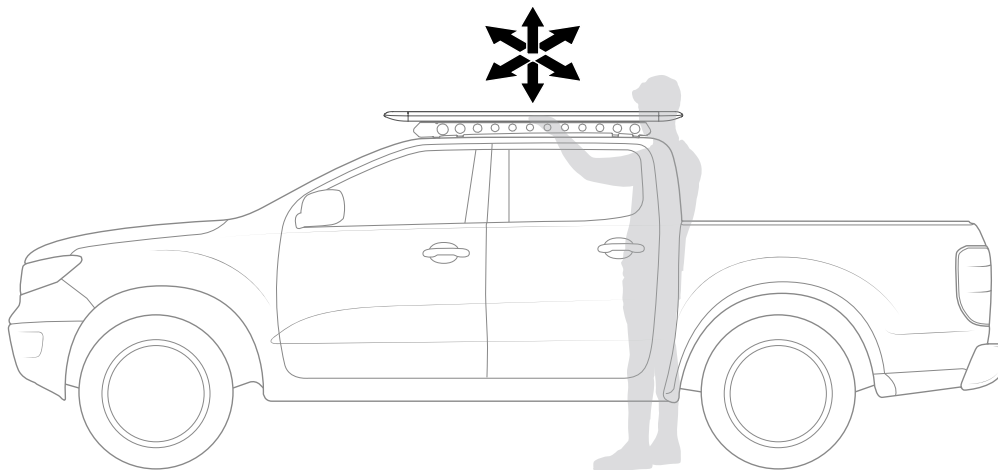
TIGHTEN ACCORDING TO BACKBONE / RD TOWER INSTRUCTIONS



NOTE: For RX100, if bolt is not accessible to tighten, refer to **NOTE 1** on Page 23

10

CHECK FITMENT IS SECURE



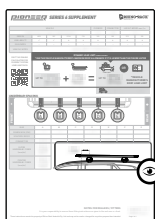
INSTALLATION IS COMPLETE ✓

UNDERBAR COVER MEASURE STEPS

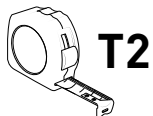
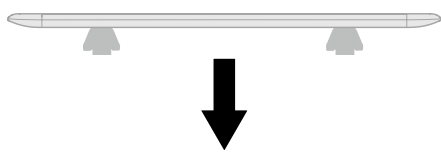
For PIONEER FIT CHARTS without centre and outer underbar cover measurements, complete steps 11 - 13 then resume to step 6

11 FOR LEGS: (FOR **BACKBONE** or **RECONN-DECK** skip to Step 13)

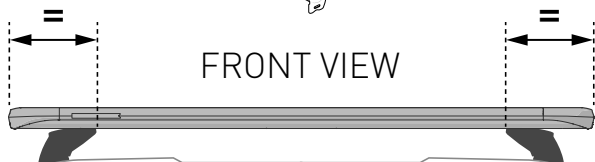
11a



Position to dimension on Fit Chart, if provided



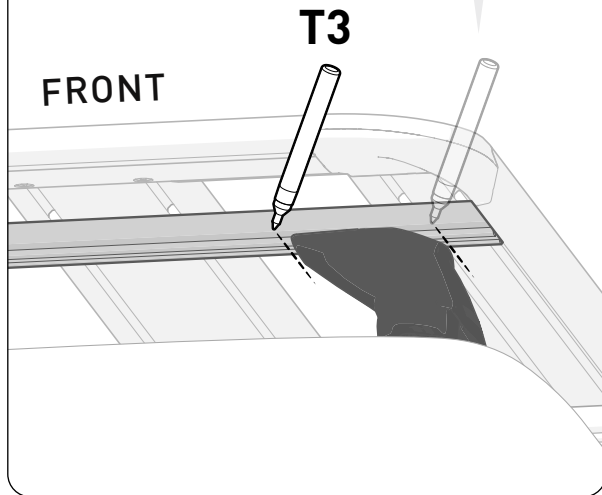
FRONT VIEW



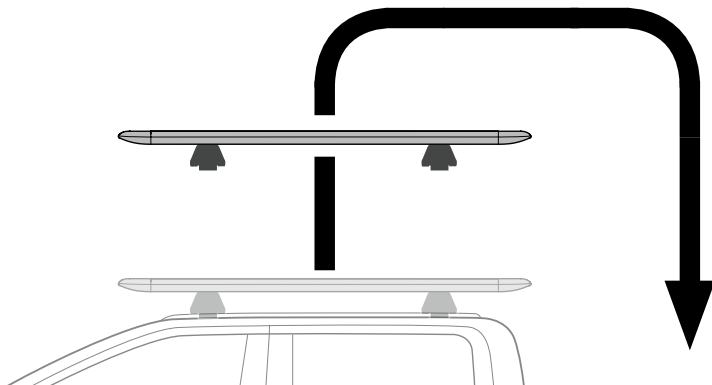
11b

Mark **FRONT** underbar on both LEFT and RIGHT hand side of vehicle

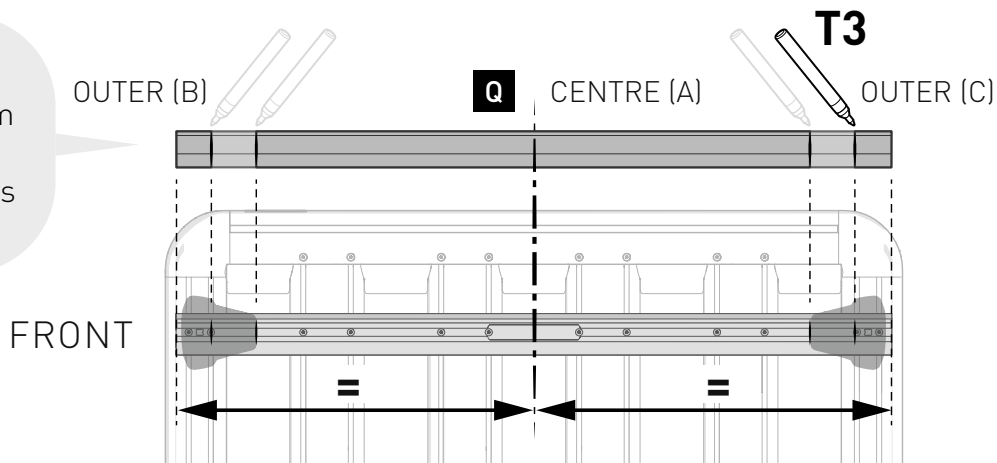
NOTE: When legs sit flush to platform side extrusions, the outside marking isn't required



12



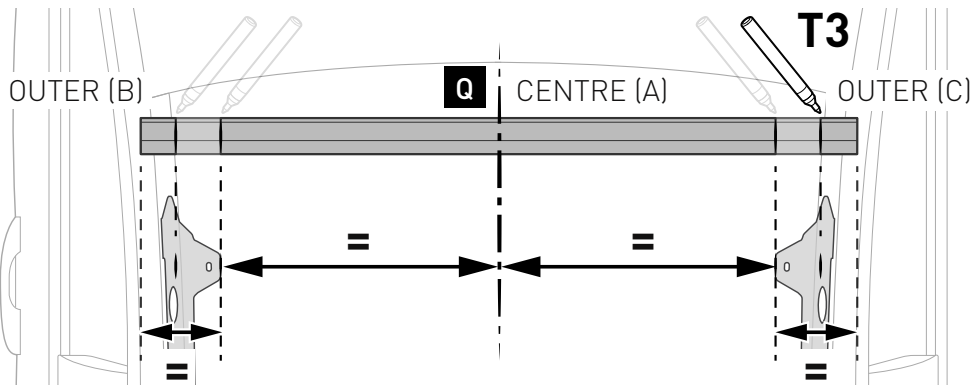
NOTE: When legs sit flush to platform side extrusions, OUTER are sections not required



Once completed, resume to Step **6**

13

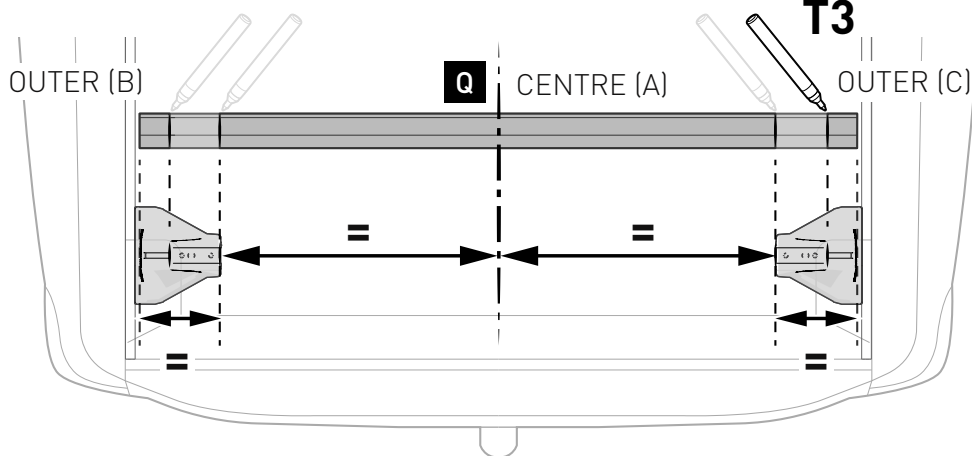
BACKBONE™



T1

OR

RECONN-DECK™
TOWERS

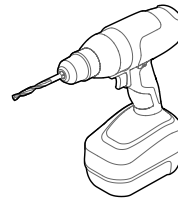
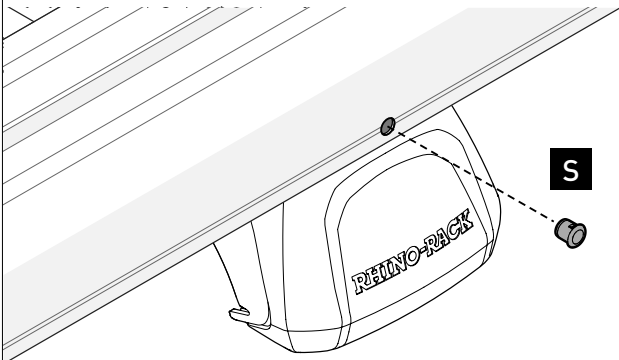


Once completed, resume to Step **27**

NOTE 1

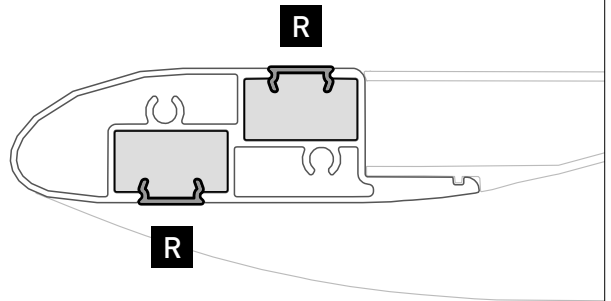
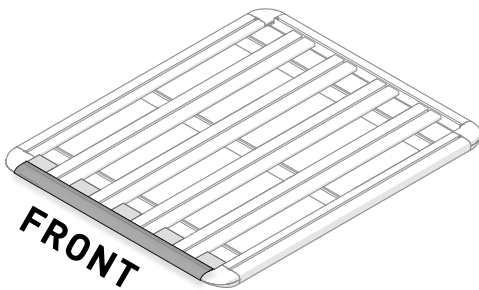
ADDITIONAL PART for RX100 LEG leg Fitments

REFER TO RX100 LEG KIT INSTRUCTIONS FOR COMPLETE INSTALLATION STEPS

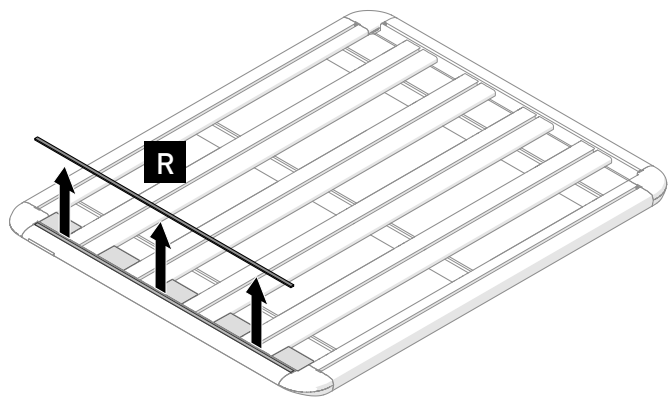
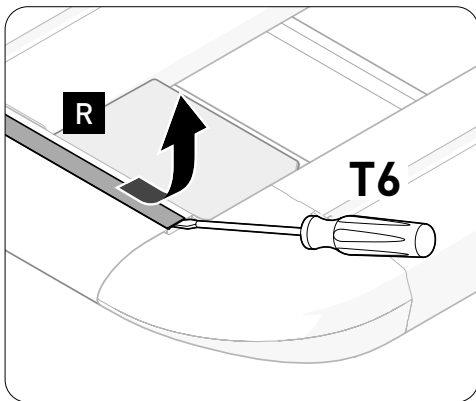


NOTE 2

ADDITIONAL STEPS IF FITTING ACCESSORY TO FRONT CHANNELS

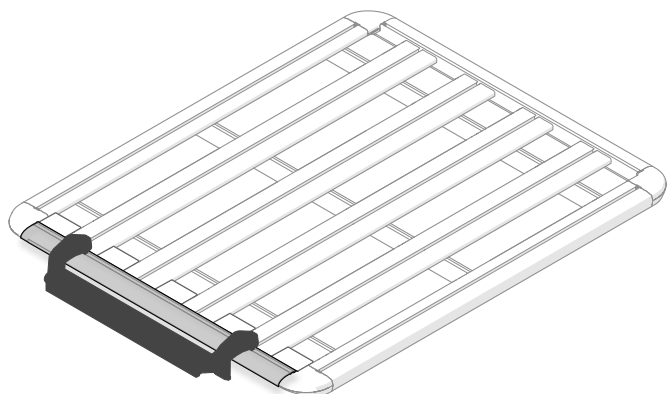


i

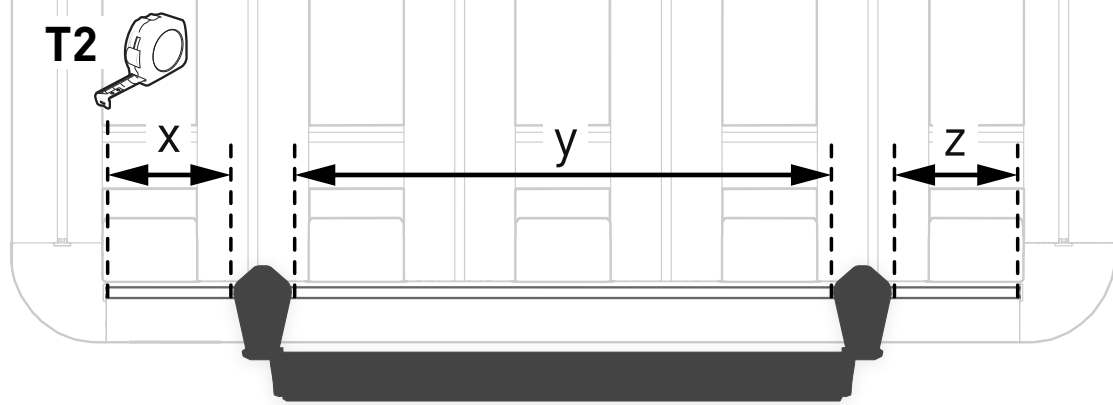


ii

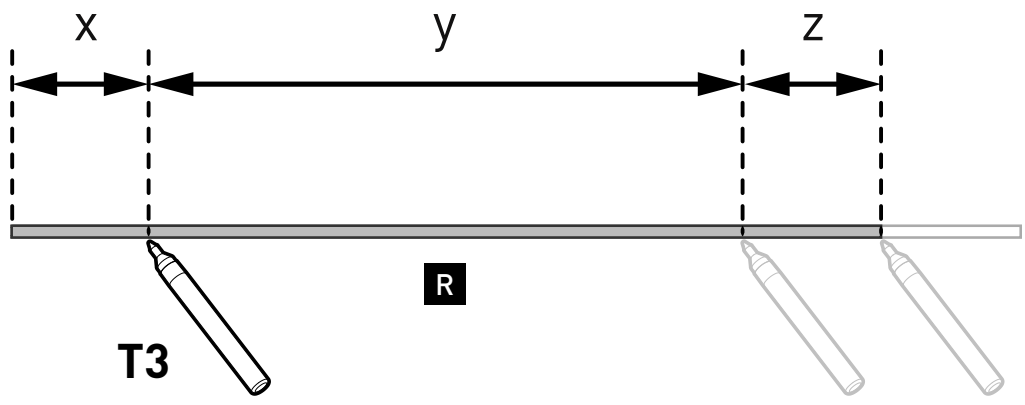
INSTALL ACCESSORY ACCORDING TO ACCESSORY INSTRUCTIONS



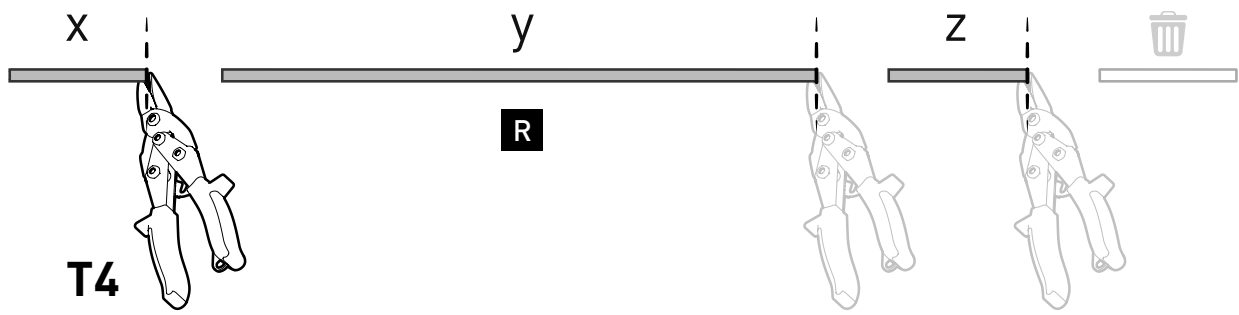
iii



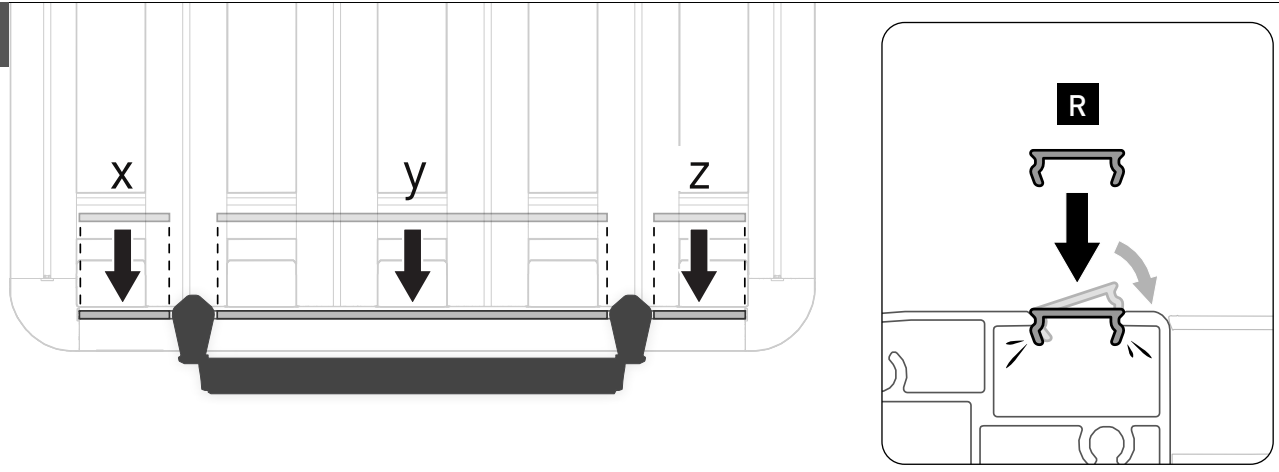
iv



v



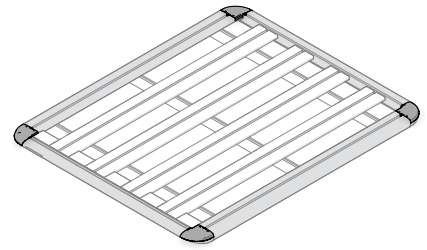
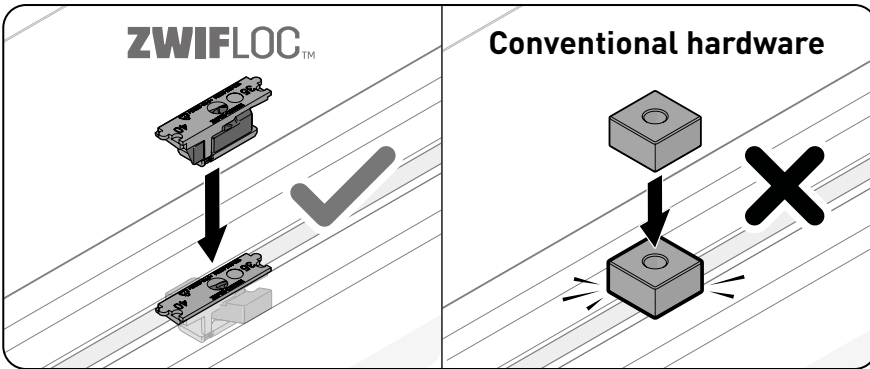
vi



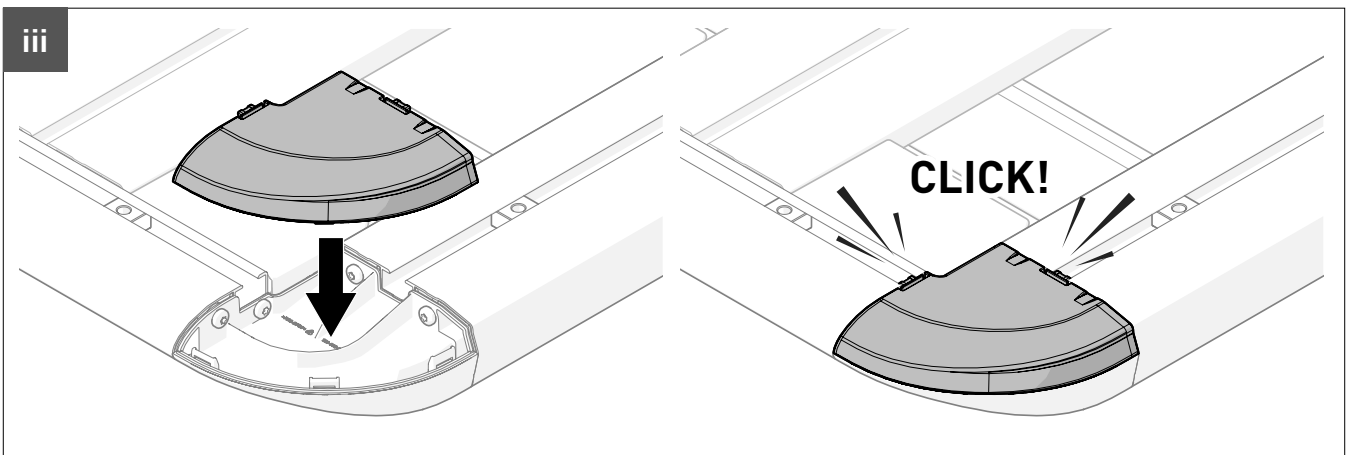
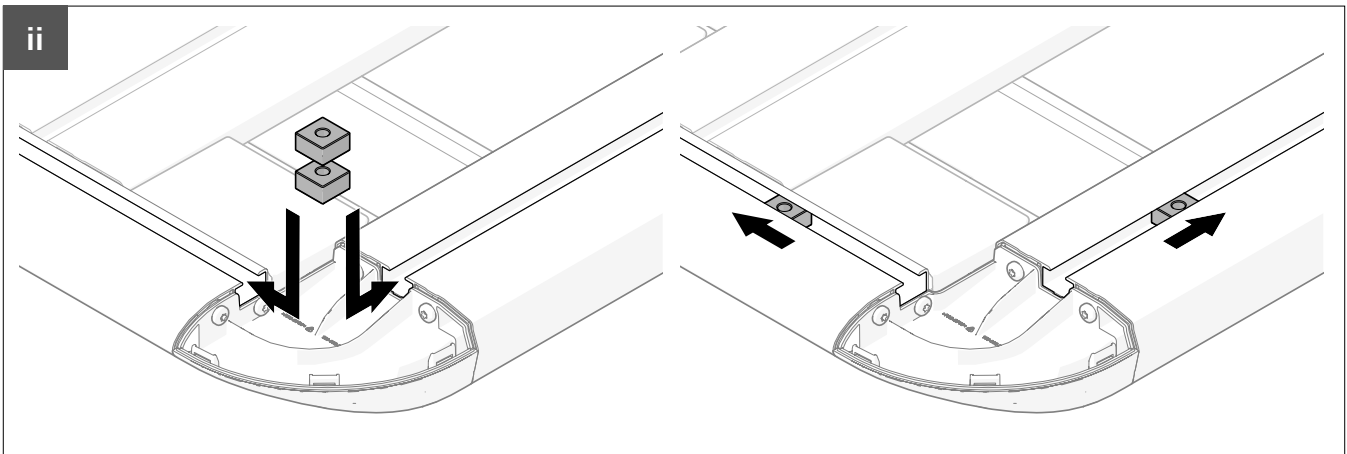
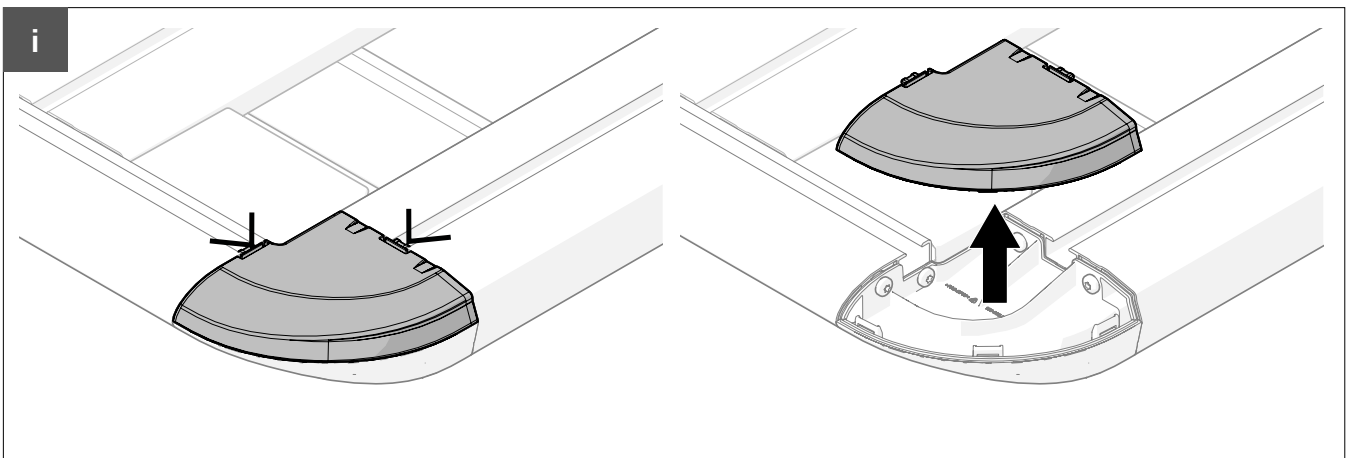
NOTE 3 **ADDITIONAL STEPS IF FITTING** **ACCESSORY** **WITHOUT ZWIFLOC™**

Non-Zwifloc hardware cannot be placed into channels directly.

Perimeter channel openings can be accessed via platform corners



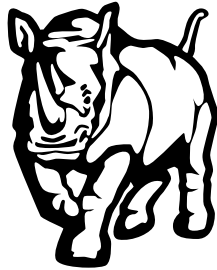
TO GAIN ACCESS TO CHANNEL OPENINGS:



NOTES

A large, empty rectangular box with a thin black border, occupying most of the page below the 'NOTES' header. It is intended for the user to write their notes.

NOTES



RHINO-RACK®

MAKE SPACE FOR ADVENTURE

RHINORACK.COM

Rhino-Rack AUSTRALIA
22A Hanson Pl,
Eastern Creek, NSW, 2766

Rhino-Rack USA
19822 East 22nd Ave,
Aurora, CO, 80011