

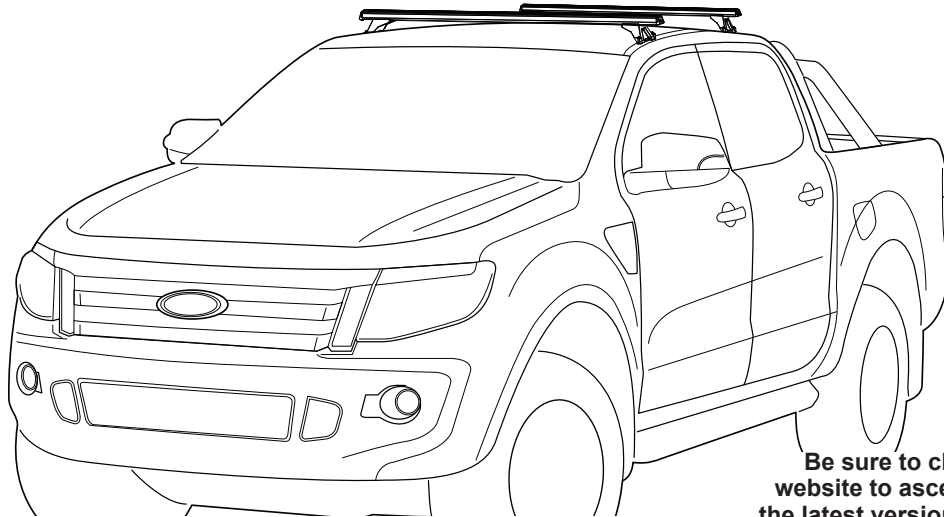


CONTROLLED

RHINO-RACK

RTS525 Ford Ranger PX USA - Two Cross Bar Track Mount System

Important: Please read these instructions carefully prior to installation. Please refer to your fitting instruction to ensure that the roof racks are installed in the correct locations. Check the contents of kit before commencing fitment and report any discrepancies



Be sure to check Rhino-Rack website to ascertain if you have the latest version of instructions.

Important Information

Maximum carrying capacity:

On Road Cargo Allowance	Unsealed Road Cargo Allowance	Roof Allowance	Rack Weight
95kg / 209lb	75kg / 165lb	100kg / 220lb	5kg / 11lb

Unsealed Road: Any driven path taken that is not on sealed (tarred/ bitumen) and maintained road

Roof Allowance: Total permissible weight attached to the roof of the car. This is inclusive of the weight of the roof rack system

Cargo Allowance: Total permissible weight allowed on top, and attached to roof racks whilst the vehicle is in motion

Please refer to your vehicle manufacturers handbook for maximum carrying capacity. Always use the lower of the two figures. Load must be evenly distributed over the entire system. Weight of roof rack accessories is to be included in cargo allowance.

Torque settings

Unless stated otherwise in these instructions, all fasteners should be set to the following torque settings -

M6: 4-5Nm (3-4lbs/ft), M8: 8-10Nm (6-7.5lbs/ft) and M10: 16-18Nm (12-13lbs/ft).

Warning:

- Check Part No. and/ or Kit is correct for use with your vehicle
- Do not attempt to fit the rack system to your vehicle unless you fully understand these fitting instructions. Please direct any questions regarding fitting to the dealer from where the roof racks were purchased.
- **Use only non-stretch fastening ropes or straps.**
- The handling characteristics of the vehicle changes when you transport a load on the roof. For safety reasons we recommend you exercise extreme care when transporting wind-resistant loads. Special consideration must be taken into account when cornering and braking.
- Although the system is tested and approved to AS1235-2000 / ISO 11154, off-road conditions can be much more rigorous. Extreme care must be taken in off road conditions

Recommendations:

It is essential that all bolt connections be checked after driving a short distance when you first install your roof racks. Bolt connections should be checked again at regular intervals (once a week is enough, depending on road conditions, usage, loads and distances travelled). You should also check the roof racks each time they are re-fitted. Always make sure to fasten your load securely. Please also ensure that all loads are evenly distributed and that the centre of gravity is kept as low as possible and must be entirely contained within the extents of the roof racks.

Note for Dealers and Fitters:

It is your responsibility to ensure these fitting instructions are given to the end user or client

Rhino-Rack, 22 Hanson St, Eastern Creek

NSW 2766, Australia

(02) 8846 1900

rhinorack.com.au

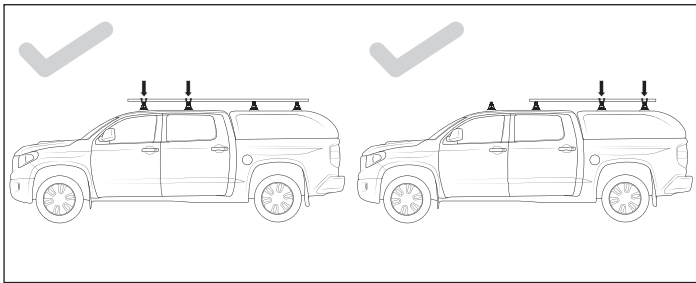
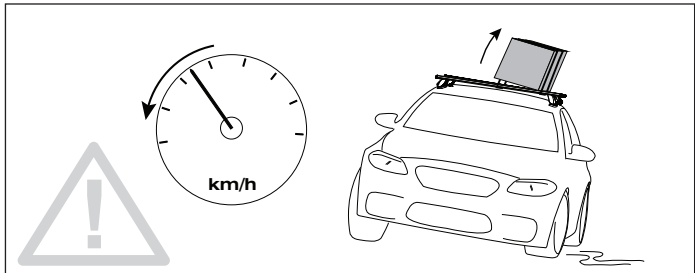
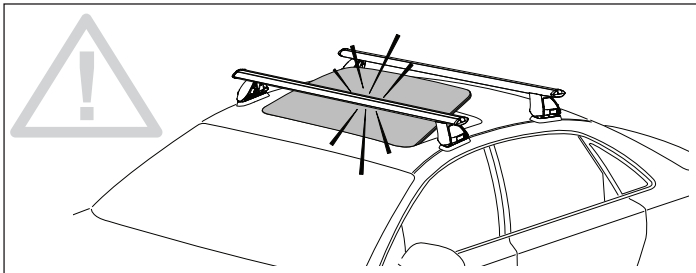
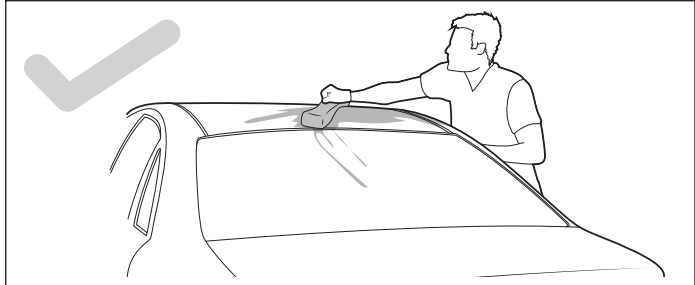
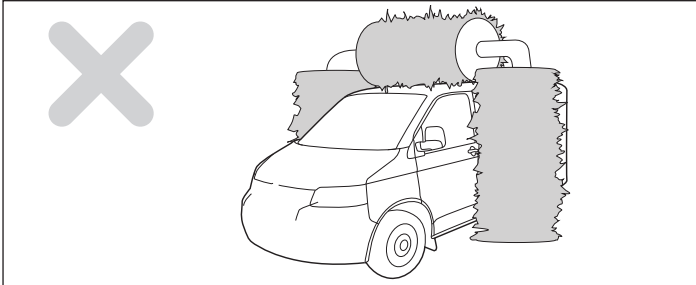
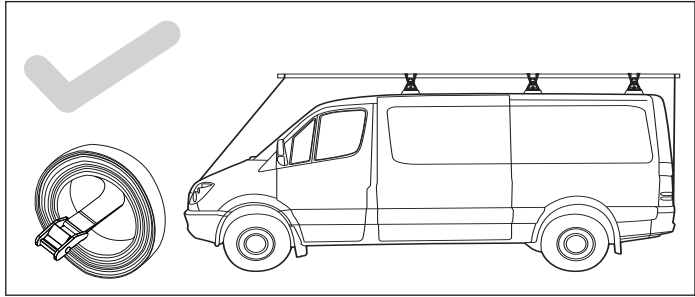
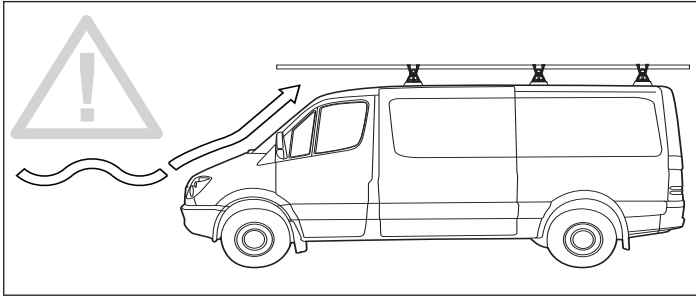
Document No: R1913

Issue No: 13

Issue Date: 09/05/2019

These instructions remain the property of Rhino-Rack Australia Pty. Ltd. and may not be used or changed for any other purpose than intended.

RTS525 Ford Ranger PX USA - Two Cross Bar Track Mount System



Parts List

Item	Component Name	Qty	Part No.
1	Track (Left and Right)	2	A528
2	End Cap FL RR	2	M862
3	End Cap FR RL	2	M863
4	Stavex Rivet BS 11 4.8mm	16	H060
5	Butyl Patch	17	CA1397
6	Fitting Instruction	1	R200

Tools Required:

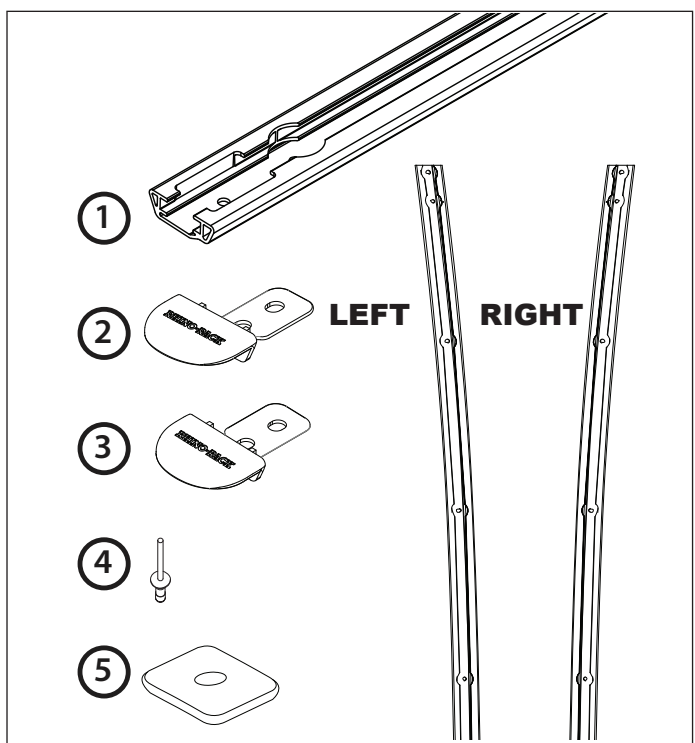
Pneumatic or Concertina	5mm drill bit.
Rivet gun.	Vacuum cleaner.
Masking tape.	Cold galvanizing solution & small brush.
Rubber Mallet.	Dremel with cutting blade.
Power or Cordless drill.	

SPECIAL NOTE:

Assistance by a second person is required to maintain accurate alignment of the Track extrusion while holes are marked out and drilled.

IMPORTANT Care Instruction:

Wash the roof prior to fitting the track mount system, especially the area the track will be mounting to. **PLEASE READ THROUGH INSTRUCTIONS BEFORE FITTING.**

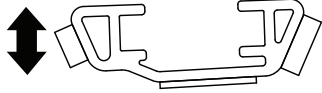


RTS525 Ford Ranger PX USA - Two Cross Bar Track Mount System

Fitting Instructions

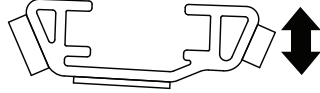
1

LEFT Track



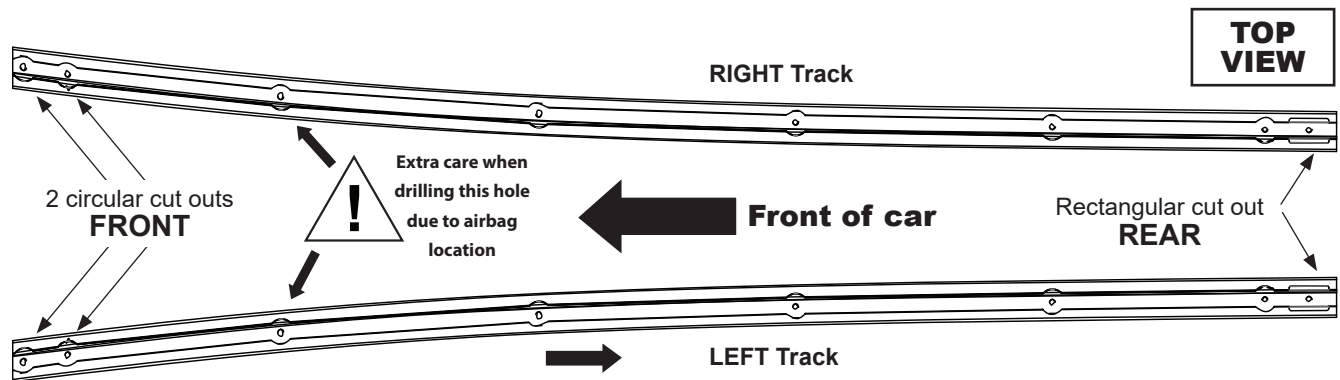
Short edge faces
OUTSIDE of vehicle.

RIGHT Track



Short edge faces
OUTSIDE of vehicle.

The track extrusions are Left and Right handed. Each track has 2 circular cut outs at one end, this denotes the **FRONT** of the vehicle. The single large rectangular cut out denotes the **REAR**.



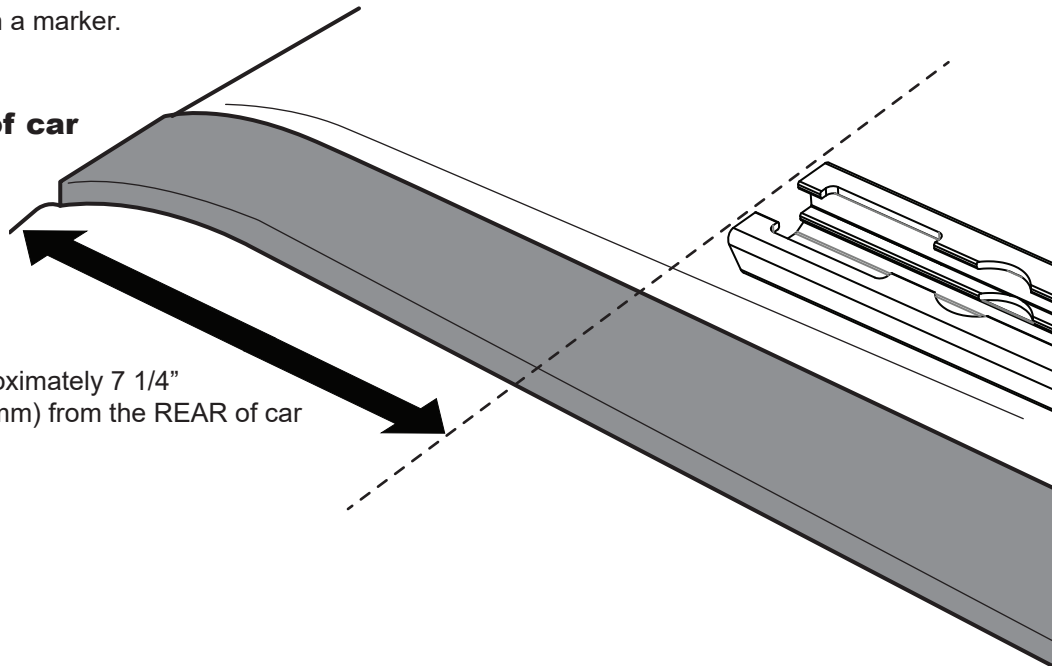
NOTE: WE RECOMMEND THAT YOU COMPLETELY INSTALL ONE TRACK AT A TIME.

2

Align the **REAR** of the track as shown. Create a reference here with a marker.

REAR of car

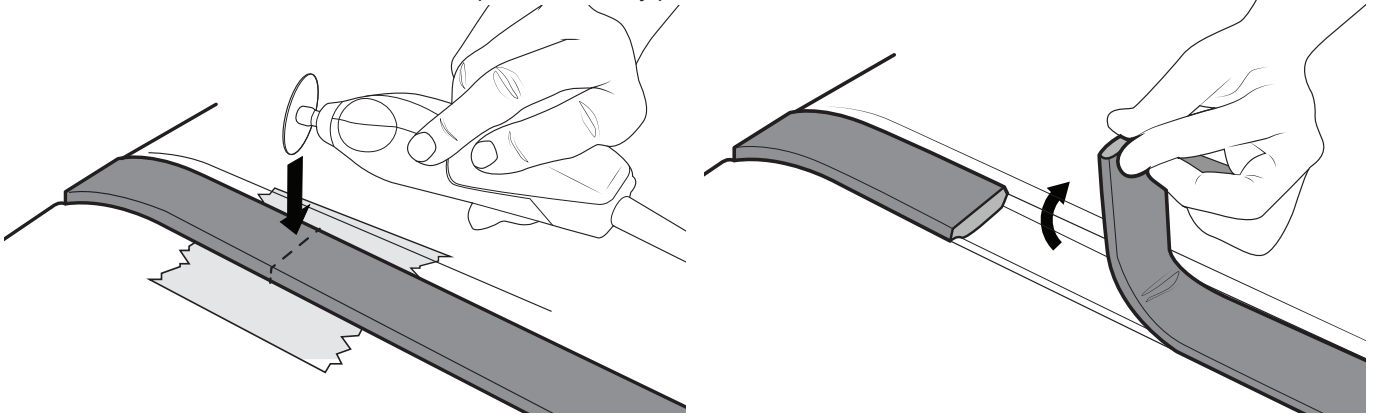
Approximately 7 1/4"
(185mm) from the REAR of car



RTS525 Ford Ranger PX USA - Two Cross Bar Track Mount System

3

Apply protective layers of tape to the approx working area. Using a dremel with a cutting blade, carefully cut through the ditch fill at the reference made previous. Slowly peel back the ditch fill.



4

Mark the front edge of moulding by placing the track against it. Allow **an additional 8mm** for the end caps.

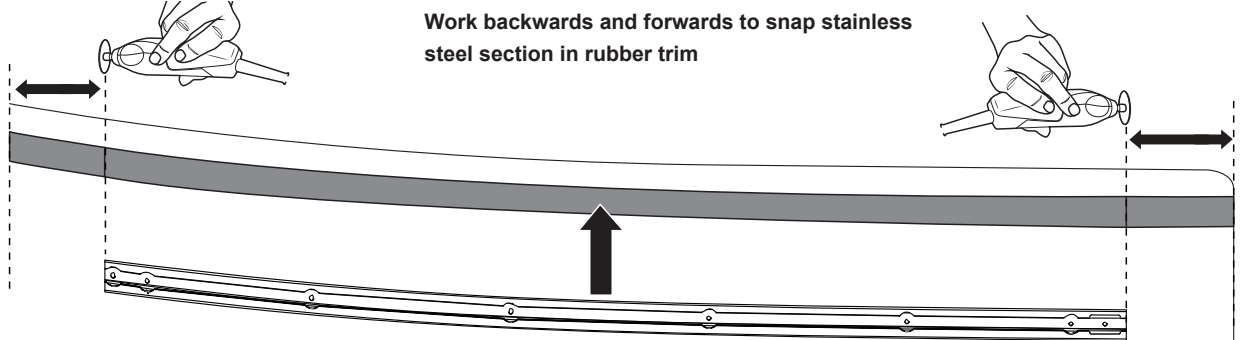
Place a cut line on the front trim area. Continue to peel from the back (step 2) till trim and double tape is off the vehicle.

Any excess double sided tape left on the vehicle must be completely cleaned off for track fitment



FRONT of car

REAR of car

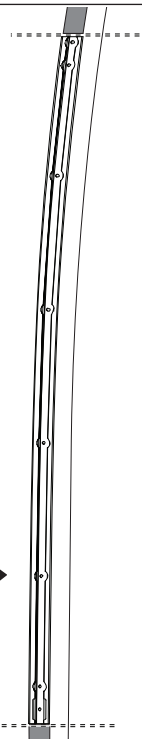


5

NOTE: (P1) refers to the person spot drilling. (P2) refers to the person assisting.

- Maintain downward pressure on the track while spot drilling all holes.
- Person one (P1), with the assistance of a second person (P2). Hold the track firmly in position. Spot drill the first 4 holes. P2 to hold the track and maintain alignment of the 5th hole as P1 moves around towards the rear of the track. P2 and P1 hold the track while maintaining 5th hole alignment and P1 to continue spot drilling holes 5 - 8

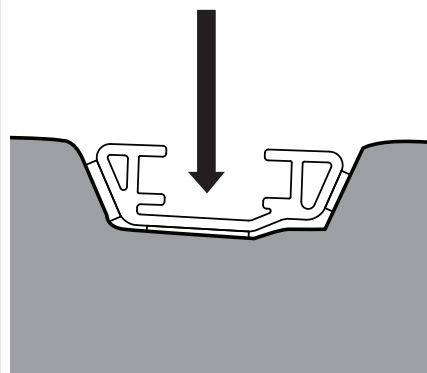
Right **FRONT**
4mm spacing
from end of trim



!
Extra care when
drilling this hole
due to airbag
location

Right **REAR**
4mm spacing
from end of trim

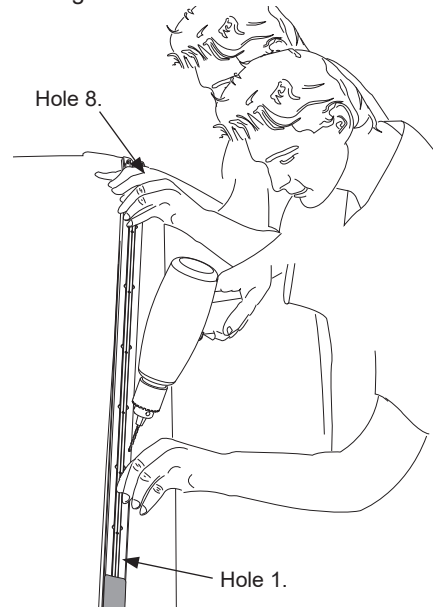
Maintain downwards
pressure on track.



OUTSIDE of vehicle.

Use masking tape around door and window seals to prevent drill swarf entering these areas.

Spot drill the 8 track holes
starting from the Rear.



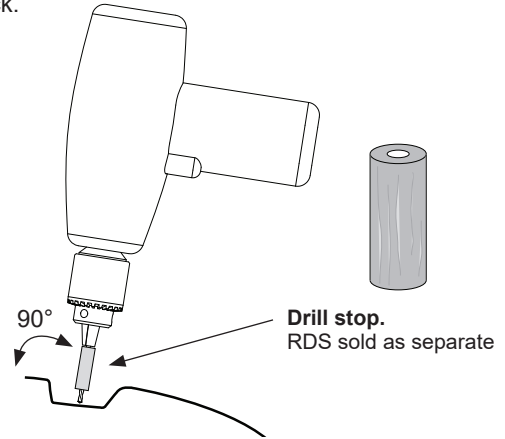
Right REAR

RTS525 Ford Ranger PX USA - Two Cross Bar Track Mount System

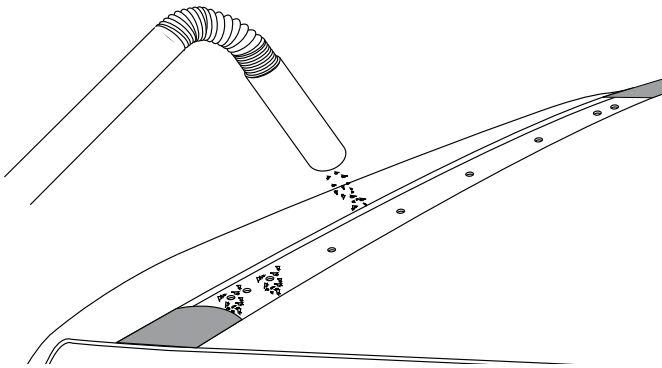
6



All 8 holes can now be drilled through. A drill stop must be used to prevent drilling through the hood lining on the inside. **Make sure that when drilling you hold the drill perpendicular to the roof angle.** The roof skin is approx. 2-3mm thick.



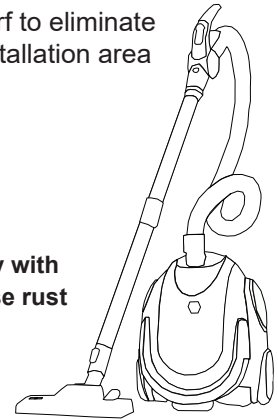
7



Use a vacuum to remove swarf to eliminate scratching. Wipe clean the installation area of the roof.

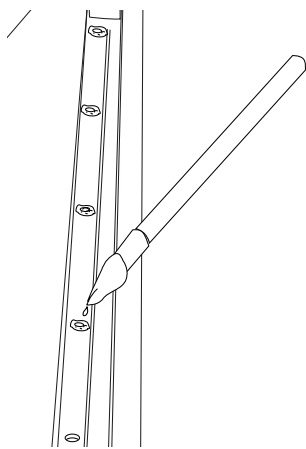


ALWAYS vacuum swarf.
NEVER blow swarf away with an air gun as it will cause rust



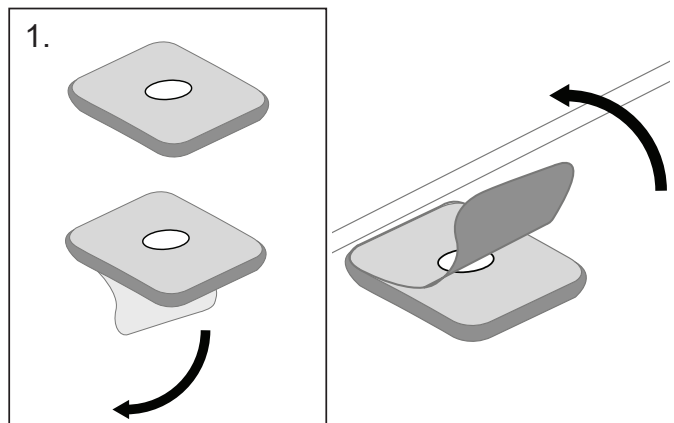
8a

Apply a liberal amount of cold galvanizing solution to the inside and surrounds of all holes. Allow cold galvanizing solution to touch dry, ten minutes or so.

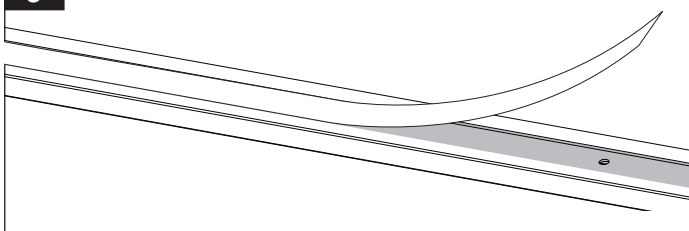


8b

1: Remove the backing tape from the ButylPatches.
2: Place over holes drilled. Once in place remove the rest of the protective tape from the top of the patches.



9



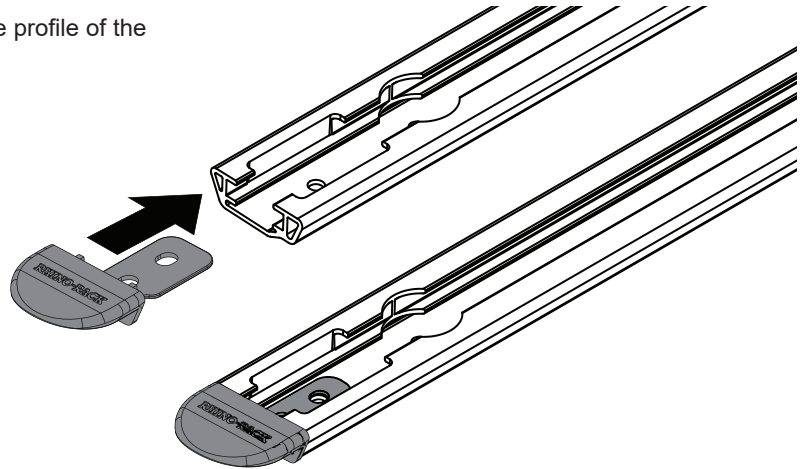
Peel the white backing strip off the track foam tape.

RTS525 Ford Ranger PX USA - Two Cross Bar Track Mount System

10

Insert the end caps at each end. Ensure that the profile of the end cap matches the ends as shown

M862 - Front Left and Rear Right
M863 - Front Right and Rear Left



11

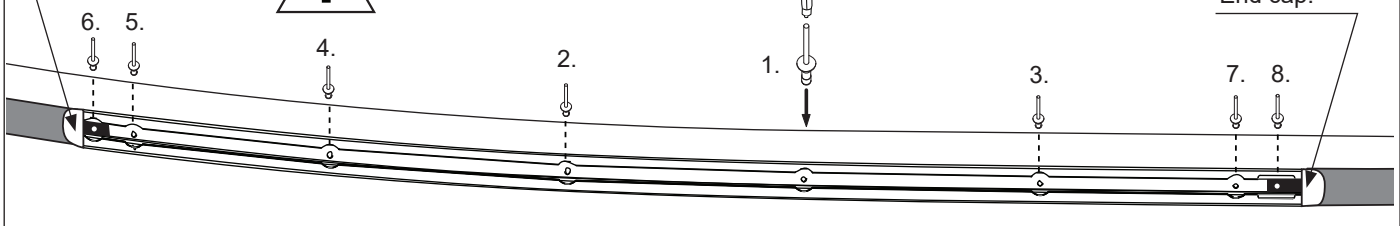
Line up and place all 8 rivets in their respective holes. Pay extra attention to the 5th hole (from the front) where the air bag module resides. With the assistance of a second person to maintain track alignment start riveting from the centre rivet. Follow the numerical riveting order as shown below. Holes 6 and 8 will have the end caps.

FRONT of car

End cap.



Airbag location here



REAR of car

End cap.