

# R876 Step 2,3 - Supplement: Hilux 10/15 on Aeroklas Using ARKT09

2

TOYOTA Hilux 4dr Ute Dual Cab 10/15 On

**CONTROLLED**

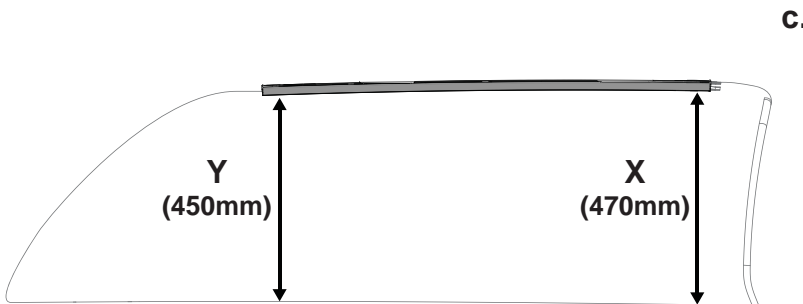
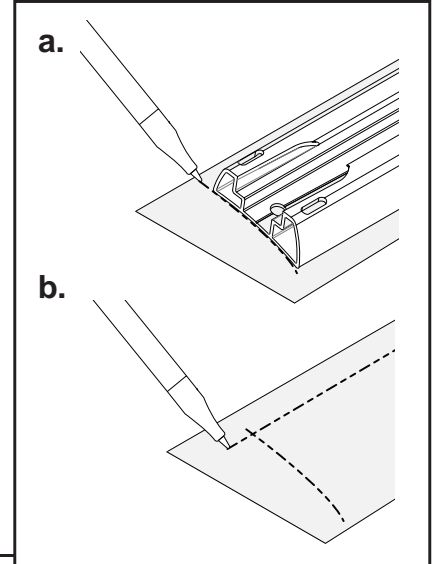
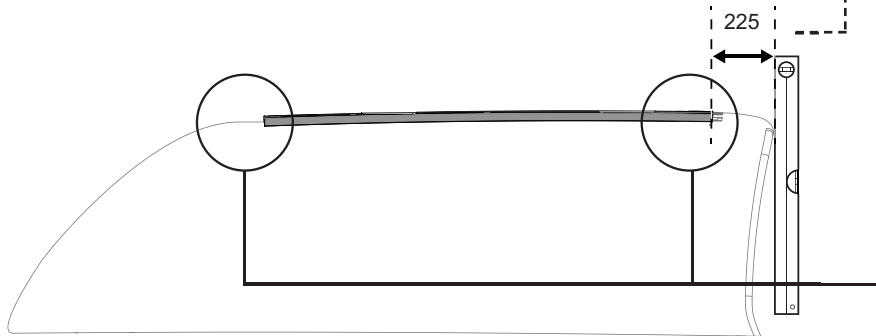
Position the track on the canopy roof so that it fits evenly outside the roof ridges. The aluminium track should be spaced 225mm from the front lip of the canopy. Measure 470mm from the base of the Canopy up the sides toward the roof at the front of the Track and 450mm for the rear. Mark a line on the canopy at the end of tracks. Remove tracks and with a straight edge, join lines to use as reference point.

**IMPORTANT:** Refer to table below for front & rear measurements prior to drilling. **LOAD RATING: 80kg**

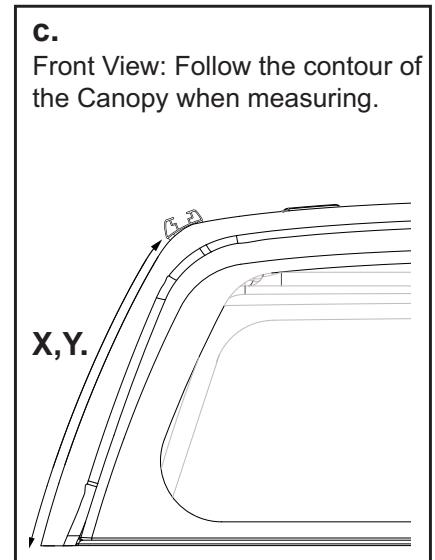
Vehicle	Kits Used
Hilux 10/15 on	ARKL01(2) + ARKB05(2) + ARKT09(1)

Hilux		
X	Front	470mm
Y	Rear	450mm

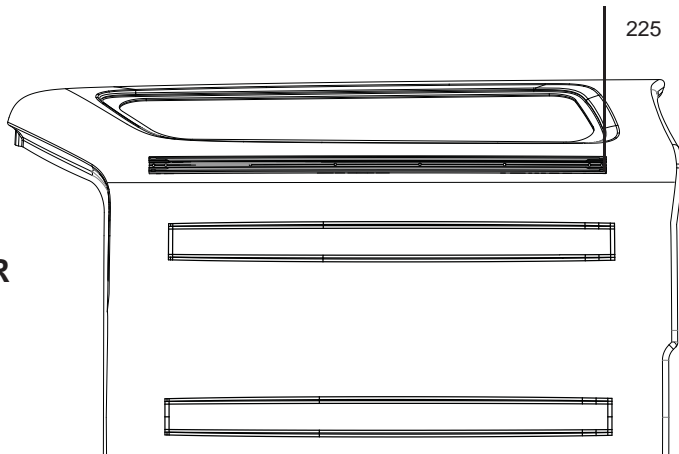
**Note:** Use a level when getting the front Measurement.



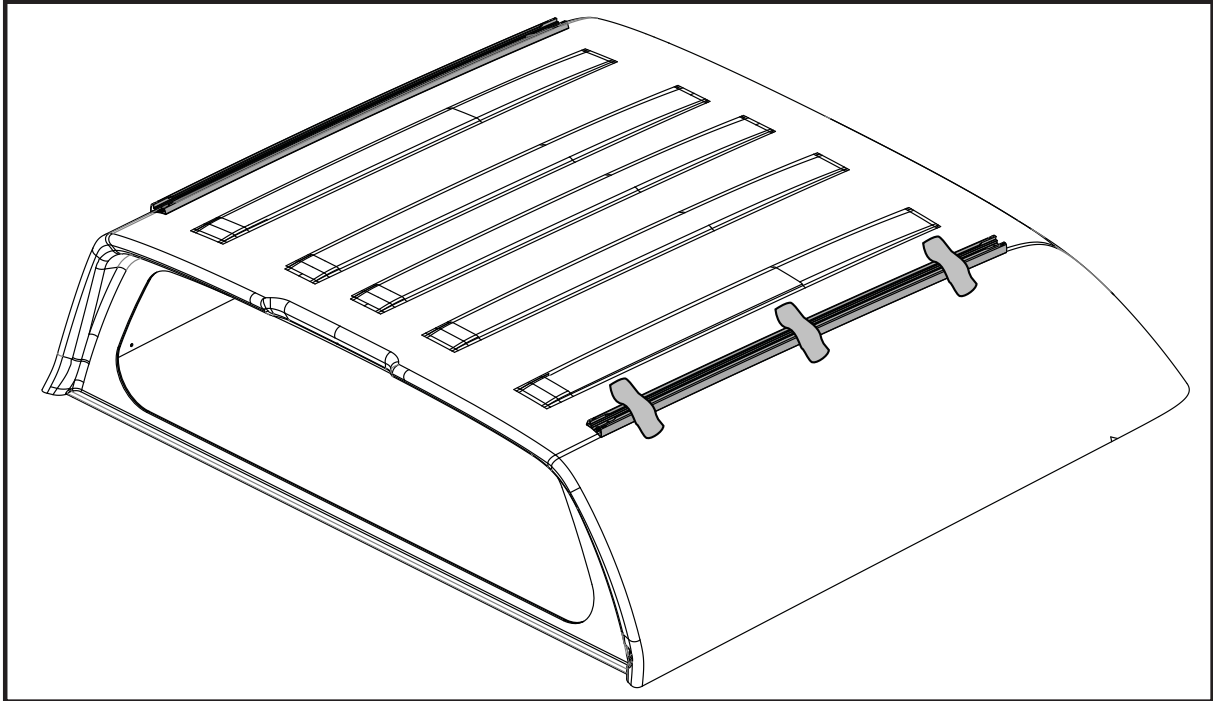
**c.**



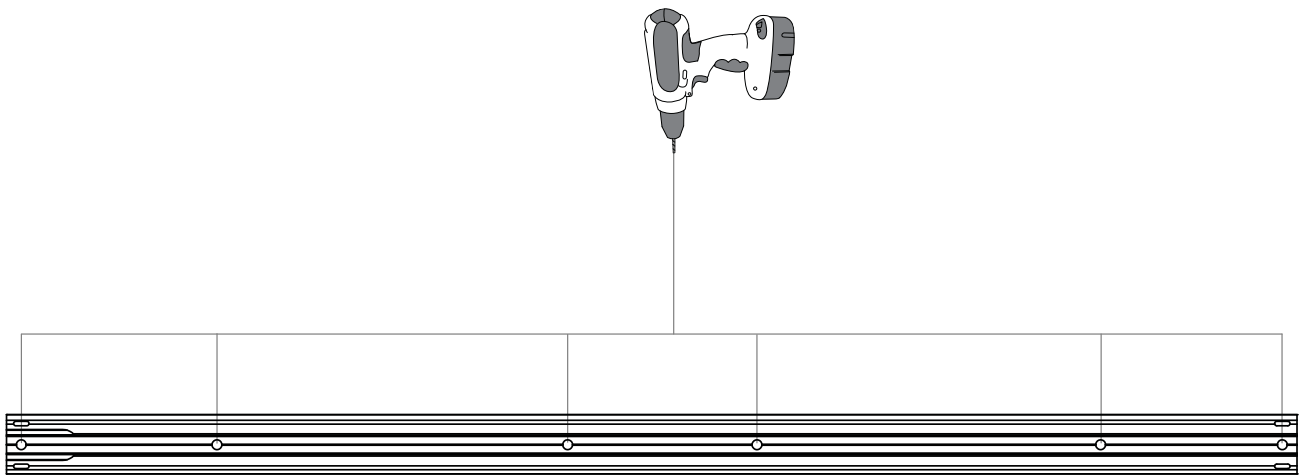
**REAR**



**FRONT  
Top View**



Now place the track onto the canopy. Once in position (pg1), using masking tape, apply 3 strips at the front, middle and the rear of the track as shown. This allows the track to be held in position. Using a sharp Ø6.5mm drill bit, hold the drill perpendicular to the surface of the canopy, apply minimal pressure and proceed to drill. Make sure both the inner and outer skins are drilled through. Remove any swarf with a vacuum.



Rear of Vehicle

Front of Vehicle