

# R875 Step 2,3 - Supplement: Navara NP300 Aeroklas Using ARKT08

2

NISSAN Navara 4dr Ute Dual Cab NP300 07/15 On

**CONTROLLED**

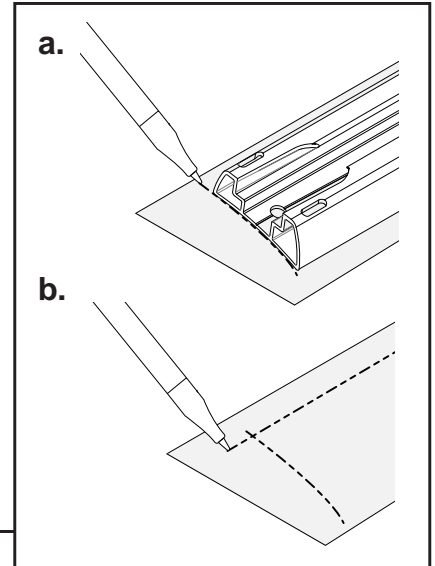
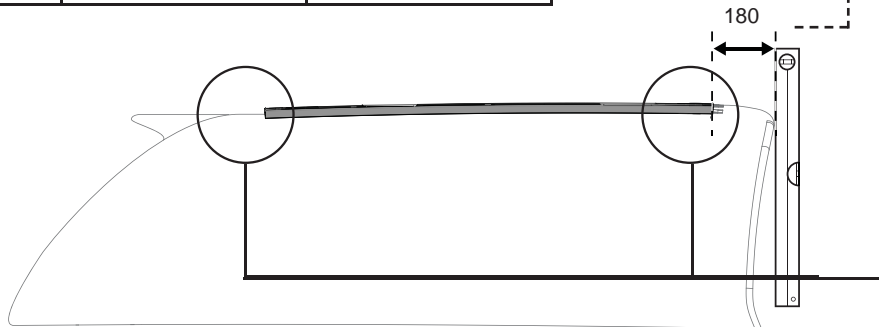
Position the track on the canopy roof so that it fits evenly outside the roof ridges. The aluminium track should be spaced 180mm from the front lip of the canopy. Measure 477mm from the base of the Canopy up the sides toward the roof at the front of the Track and 453mm for the rear. Mark a line on the canopy at the end of tracks. Remove tracks and with a straight edge, join lines to use as reference point.

**IMPORTANT:** Refer to table below for front & rear measurements prior to drilling. **LOAD RATING: 80kg**

Vehicle	Kits Used
Navara	ARKL01(2) + ARKB05(2) + ARKT08(1)

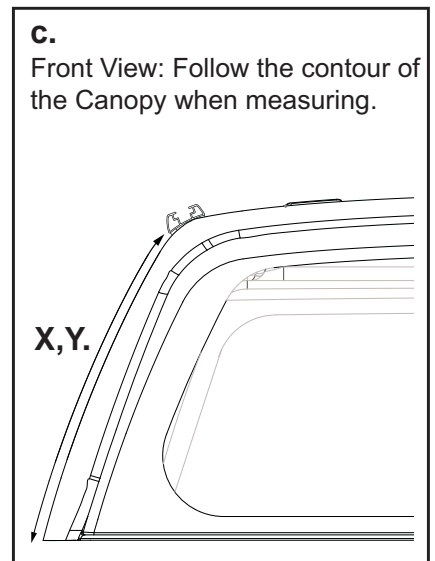
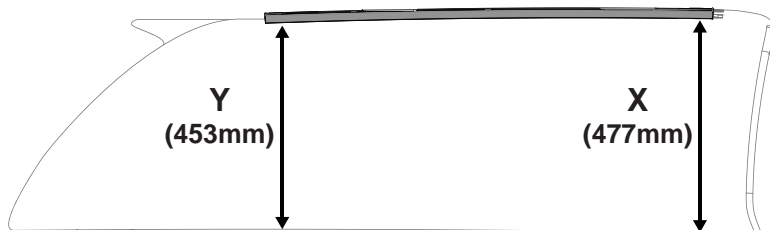
Navara		
X	Front	477mm
Y	Rear	453mm

**Note:** Use a level when getting the front Measurement.

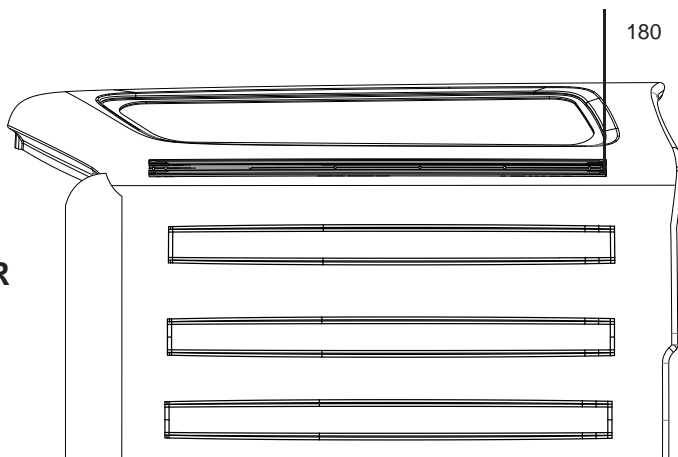


**c.**

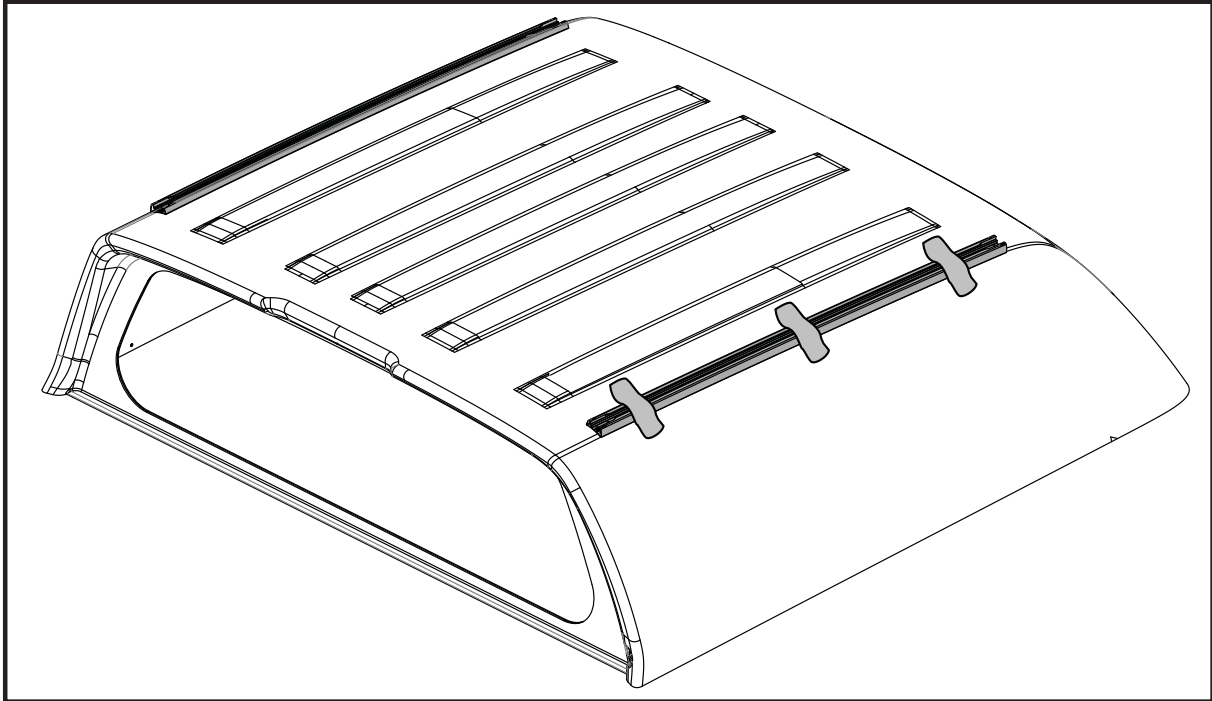
**c.** Front View: Follow the contour of the Canopy when measuring.



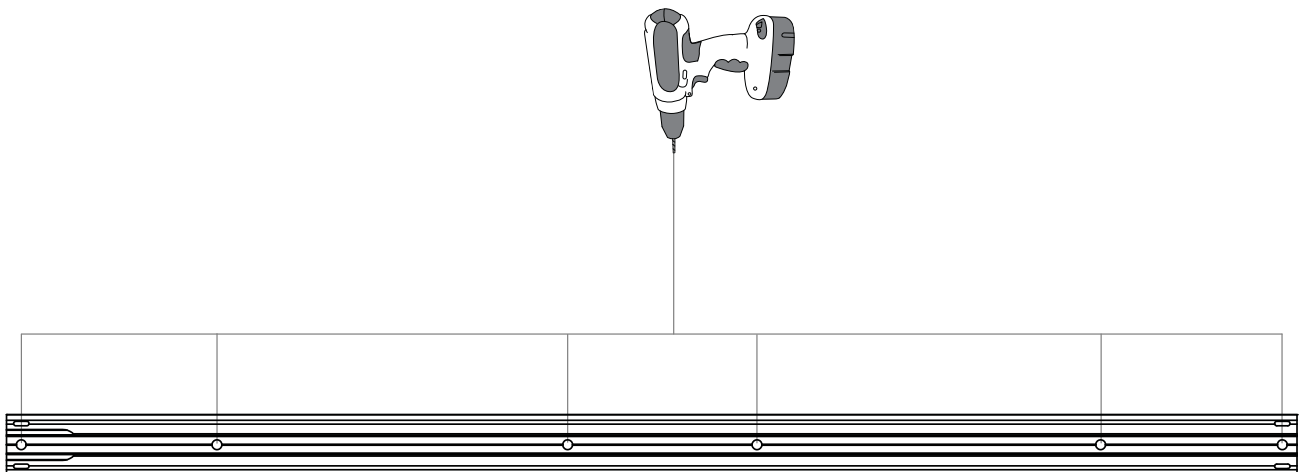
**REAR**



**FRONT  
Top View**



Now place the track onto the canopy. Once in position (pg1), using masking tape, apply 3 strips at the front, middle and the rear of the track as shown. This allows the track to be held in position. Using a sharp  $\text{Ø}6.5\text{mm}$  drill bit, hold the drill perpendicular to the surface of the canopy, apply minimal pressure and proceed to drill. Make sure both the inner and outer skins are drilled through. Remove any swarf with a vacuum.



Rear of Vehicle

Front of Vehicle