

R811 Step 2,3 - Supplement: Triton Aeroklas Using ARKT07

2

MITSUBISHI Triton 4dr Ute Dual Cab 04/15 on

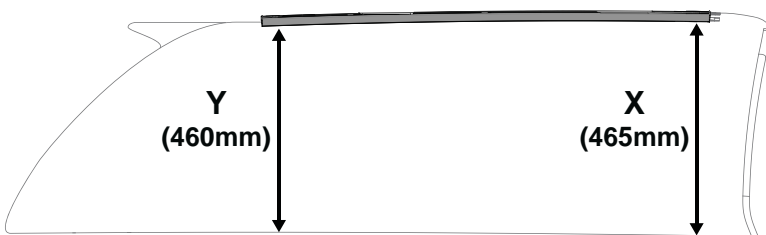
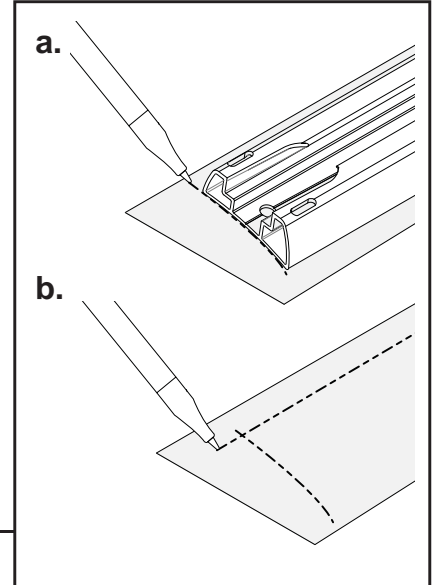
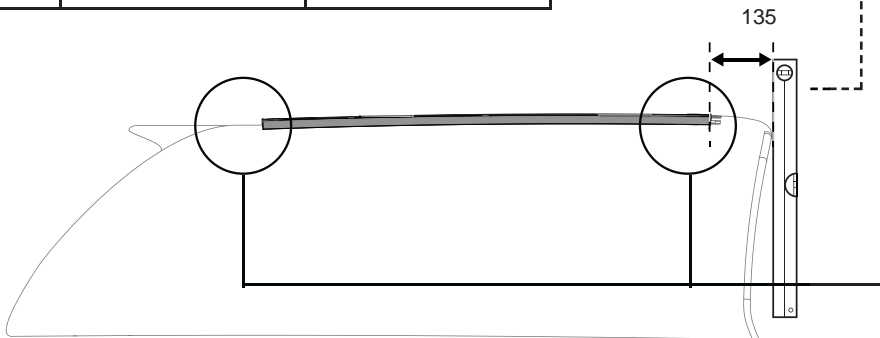
Using masking tape on the approximate work area. Position the track on the canopy roof so that it fits evenly outside the roof ridges. The aluminium track should be spaced 135mm from the front lip of the canopy. Measure 465mm from the base of the Canopy up the sides toward the roof at the front of the Track and 460mm for the rear. Mark a line on the canopy at the end of tracks on the tape. Remove tracks and with a straight edge, join lines to use as reference point.

IMPORTANT: Refer to table below for front & rear measurements prior to drilling. LOAD RATING: 80kg

Vehicle	Kits Used
Triton	ARKL01(2) + ARKB03(2) + ARKT07 (1)

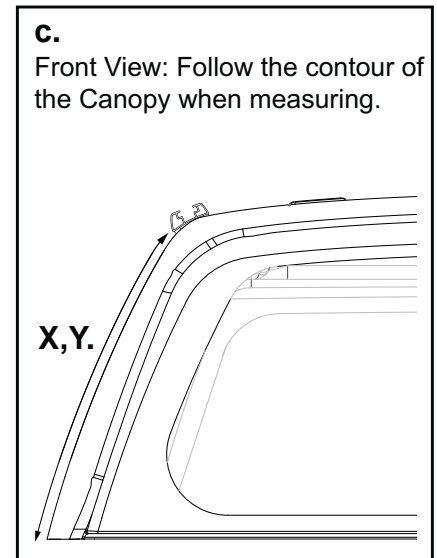
Triton		
X	Front	465mm
Y	Rear	460mm

Note: Use a level when getting the front Measurement.

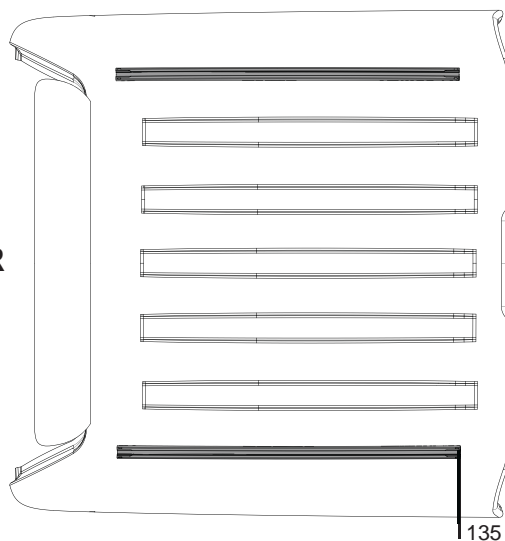


c.

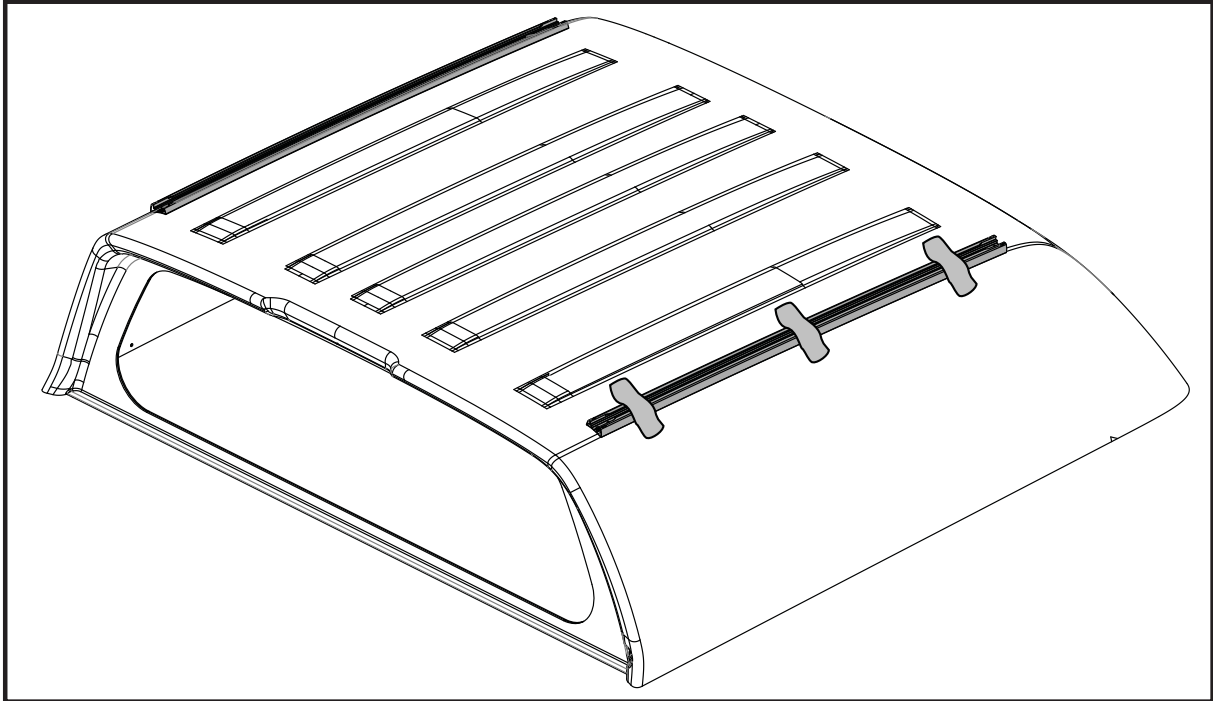
Front View: Follow the contour of the Canopy when measuring.



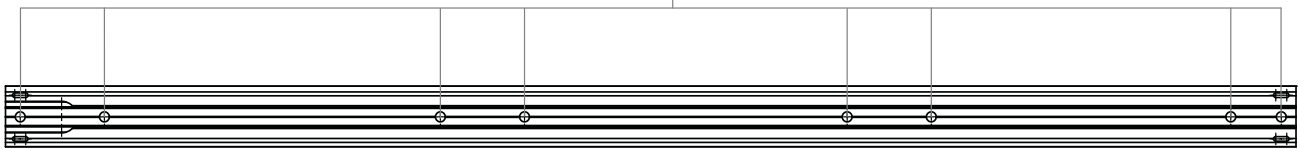
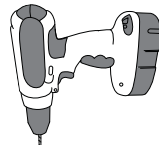
REAR



FRONT
Top View



Now place the track onto the canopy. Once in position (pg1), using masking tape, apply 3 strips at the front, middle and the rear of the track as shown. This allows the track to be held in position. Using a sharp Ø6.5mm drill bit, hold the drill perpendicular to the surface of the canopy, apply minimal pressure and proceed to drill. Make sure both the inner and outer skins are drilled through. Remove any swarf with a vacuum.



Rear of Vehicle

Front of Vehicle