

# R436 Step 2,3 - Supplement: Triton Aeroklas Using ARKT04

2

MITSUBISHI Triton 4dr Ute Dual Cab 07/06 - 04/15

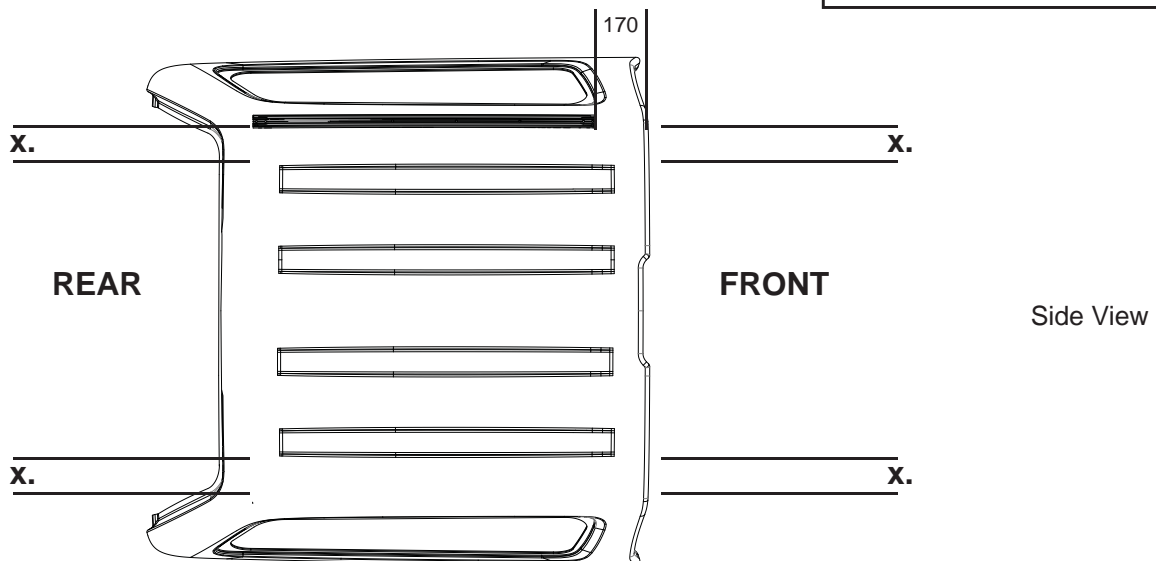
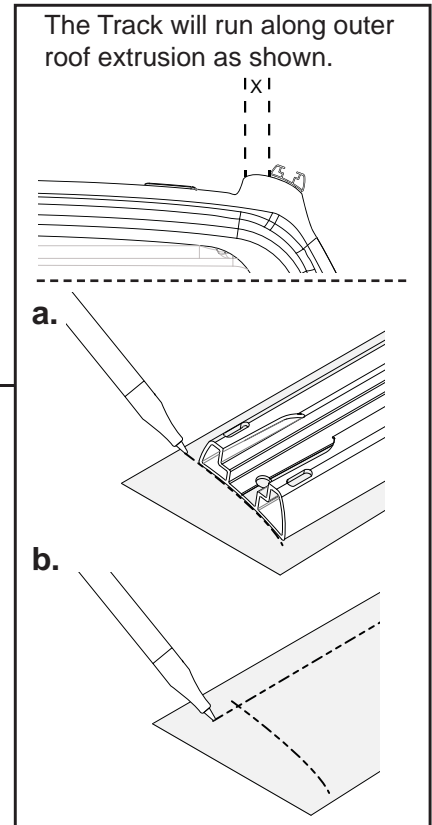
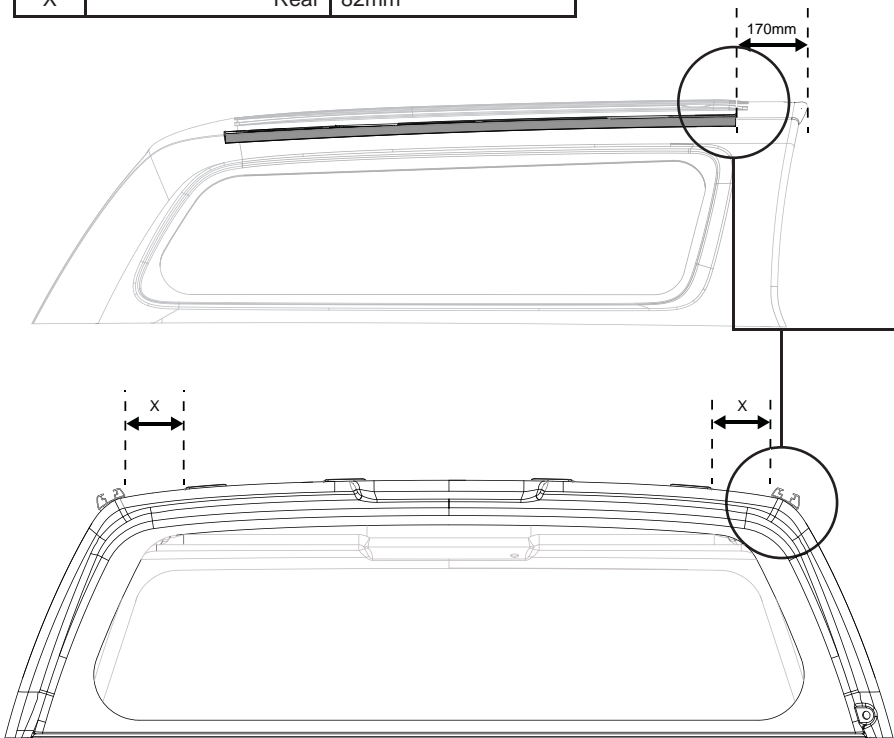
**CONTROLLED**

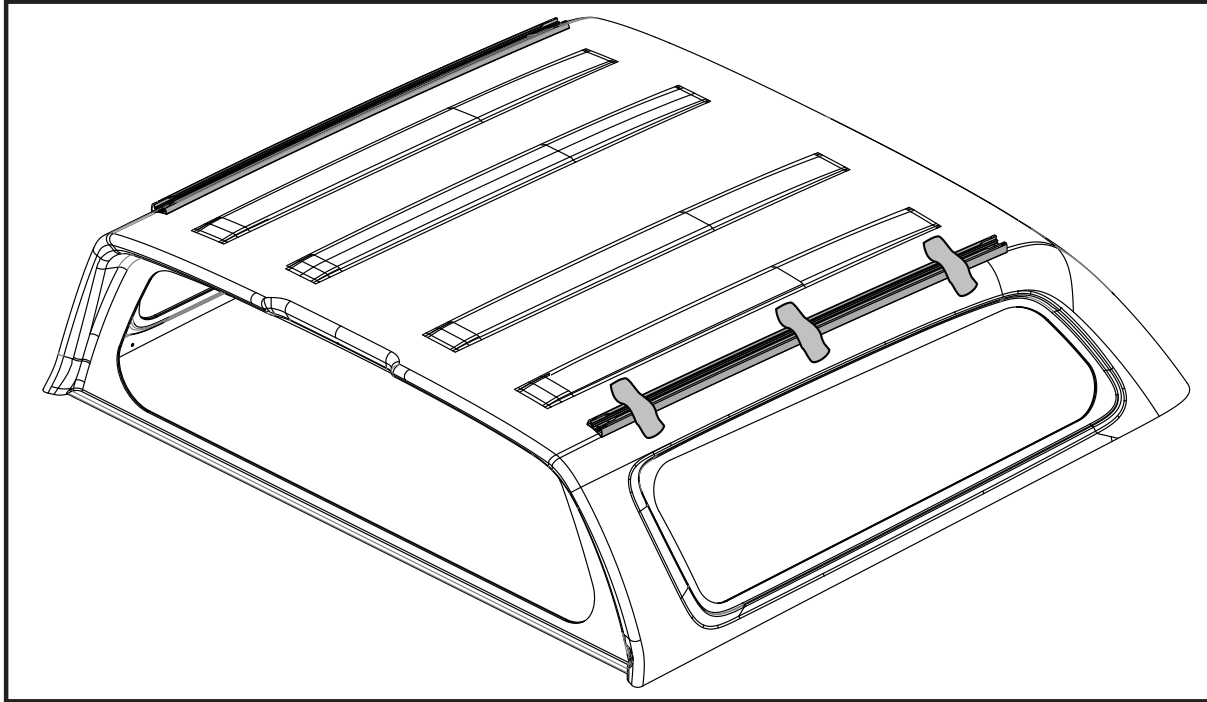
Position the track on the canopy roof so that it fits evenly outside the roof ridges. The aluminium track should be spaced 170mm from the front of the canopy, 82mm from the outer most recess at the front, and 82mm from the outer most recess at the rear. Mark a line on the canopy at the end of tracks. Remove tracks and with a straight edge, join lines to use as reference point.

**IMPORTANT: Refer to table below for front & rear measurements prior to drilling. LOAD RATING: 80kg**

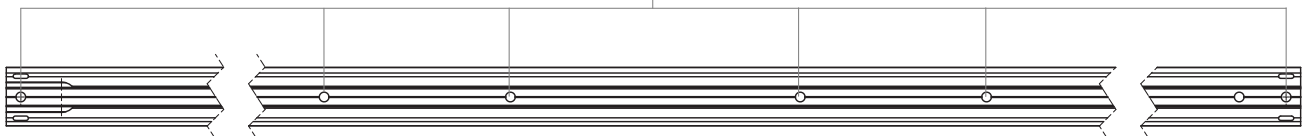
Vehicle	Kits Used
Triton	ARKL01(2) + ARKB03(2) + ARKT04 (1)

Triton		
X	Front	82mm
X	Rear	82mm





Now place the track onto the canopy. Once in position (pg1), using masking tape, apply 3 strips at the front, middle and the rear of the track as shown. This allows the track to be held in position. Using a sharp  $\text{Ø}6.5\text{mm}$  drill bit, hold the drill perpendicular to the surface of the canopy, apply minimal pressure and proceed to drill. Make sure both the inner and outer skins are drilled through. Remove any swarf with a vacuum.



Rear of Vehicle

Front of Vehicle