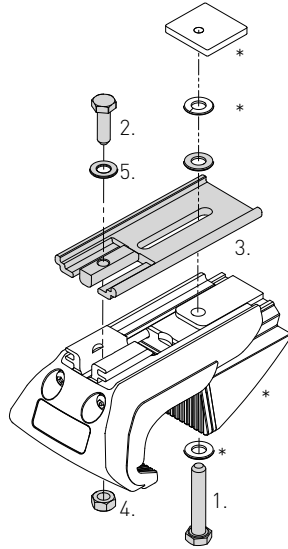


CXBS1

Item	Component	Qty
1	M8 x 30mm Hex	2
2	M6 x 20mm Hex	2
3	Rails Spacer No.1	2
4	M6 Nyloc Nuts	2
5	M6 x 12.5mm Flat Washer	2

Note:
 CXBS1 is intended for use with CXB leg kits.
 For detailed installation instructions, refer to CXB instructions (RR61).
 *Included in CXB leg kit hardware.

Issue: 02
 Document No: R1358
 Date: 18/11/2021

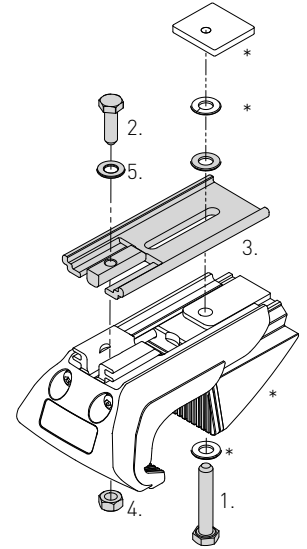


CXBS1

Item	Component	Qty
1	M8 x 30mm Hex	2
2	M6 x 20mm Hex	2
3	Rails Spacer No.1	2
4	M6 Nyloc Nuts	2
5	M6 x 12.5mm Flat Washer	2

Note:
 CXBS1 is intended for use with CXB leg kits.
 For detailed installation instructions, refer to CXB instructions (RR61).
 *Included in CXB leg kit hardware.

Issue: 02
 Document No: R1358
 Date: 18/11/2021

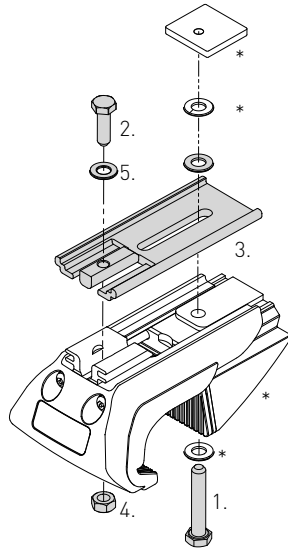


CXBS1

Item	Component	Qty
1	M8 x 30mm Hex	2
2	M6 x 20mm Hex	2
3	Rails Spacer No.1	2
4	M6 Nyloc Nuts	2
5	M6 x 12.5mm Flat Washer	2

Note:
 CXBS1 is intended for use with CXB leg kits.
 For detailed installation instructions, refer to CXB instructions (RR61).
 *Included in CXB leg kit hardware.

Issue: 02
 Document No: R1358
 Date: 18/11/2021

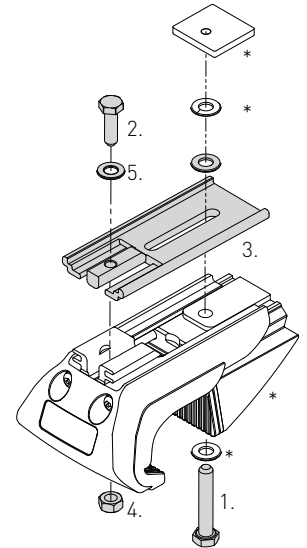


CXBS1

Item	Component	Qty
1	M8 x 30mm Hex	2
2	M6 x 20mm Hex	2
3	Rails Spacer No.1	2
4	M6 Nyloc Nuts	2
5	M6 x 12.5mm Flat Washer	2

Note:
 CXBS1 is intended for use with CXB leg kits.
 For detailed installation instructions, refer to CXB instructions (RR61).
 *Included in CXB leg kit hardware.

Issue: 02
 Document No: R1358
 Date: 18/11/2021

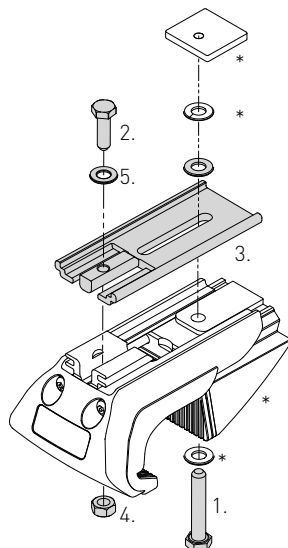


CXBS1

Item	Component	Qty
1	M8 x 30mm Hex	2
2	M6 x 20mm Hex	2
3	Rails Spacer No.1	2
4	M6 Nyloc Nuts	2
5	M6 x 12.5mm Flat Washer	2

Note:
 CXBS1 is intended for use with CXB leg kits.
 For detailed installation instructions, refer to CXB instructions (RR61).
 *Included in CXB leg kit hardware.

Issue: 02
 Document No: R1358
 Date: 18/11/2021



CXBS1

Item	Component	Qty
1	M8 x 30mm Hex	2
2	M6 x 20mm Hex	2
3	Rails Spacer No.1	2
4	M6 Nyloc Nuts	2
5	M6 x 12.5mm Flat Washer	2

Note:
 CXBS1 is intended for use with CXB leg kits.
 For detailed installation instructions, refer to CXB instructions (RR61).
 *Included in CXB leg kit hardware.

Issue: 02
 Document No: R1358
 Date: 18/11/2021

