

# RHINO-RACK®

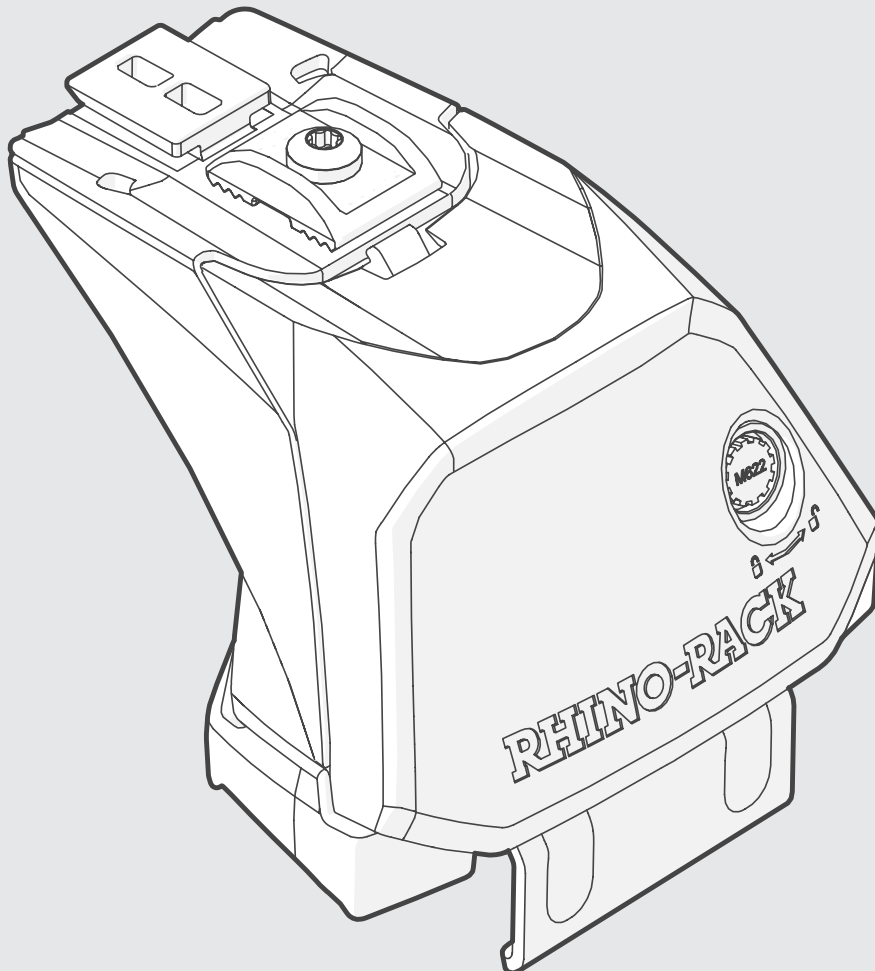
## Leg Instructions

RX200

**Important:**

1. Check the Rhino-Rack website to ensure you have the latest issue of these instructions.
2. Please refer to your fitting instruction to ensure that the roof racks are installed in the correct locations.
3. Check the contents of kit before commencing fitment and report any discrepancies.
4. These instructions must be followed for warranty to be upheld.

**Fit Time:** 15 mins

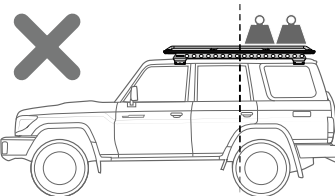
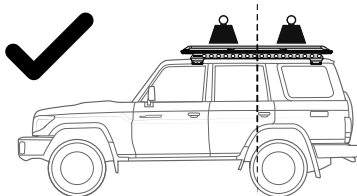
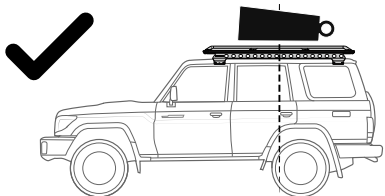
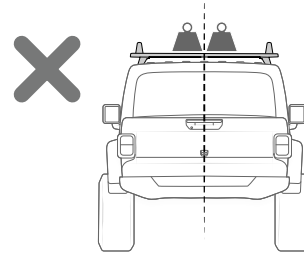
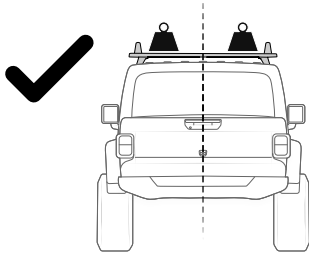
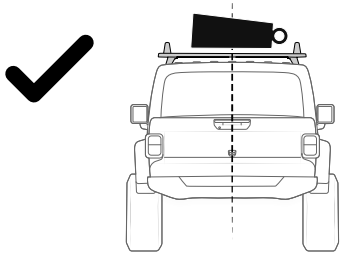


**RHINORACK.COM**

Doc. No: 520-RFI-00127

Issue No: 03

Issue Date: 02/02/2024

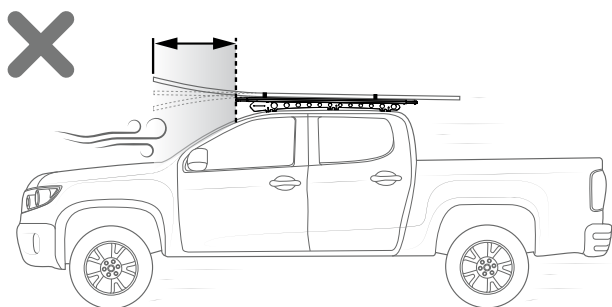
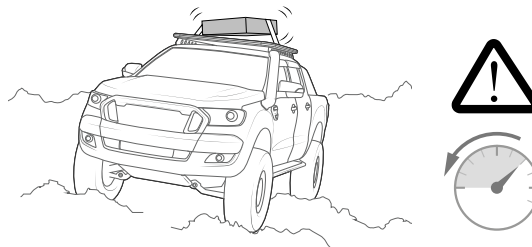
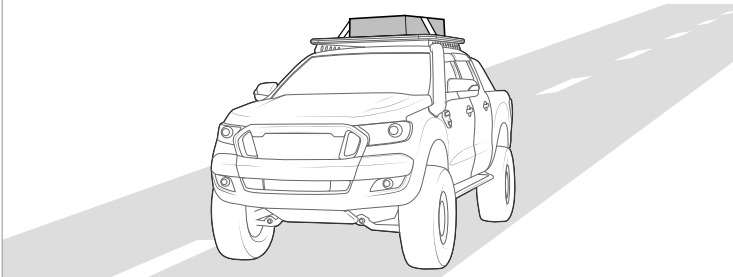


Distribute loads evenly and laterally/longitudinally as low as possible over the span.

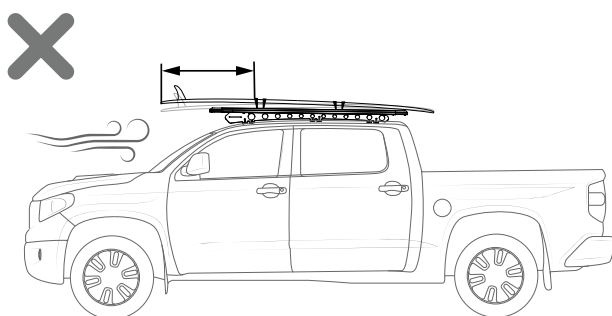
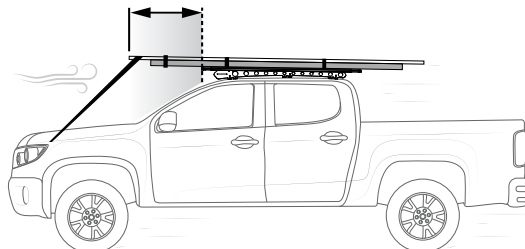
Avoid point loads concentrated at the front or rear.

Exercise extreme care when transporting wind-resistant loads. Special consideration must be taken when cornering and braking.

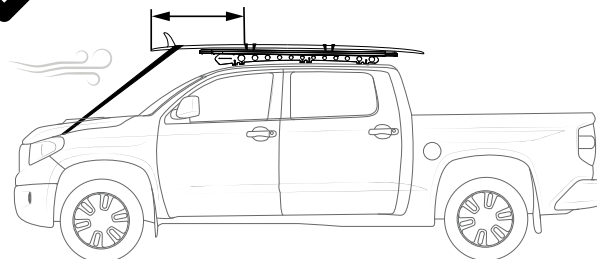
Off-road conditions can be much more rigorous. Extreme care must be taken on any driven path that does not contain a surface protection layer (tar/bitumen).



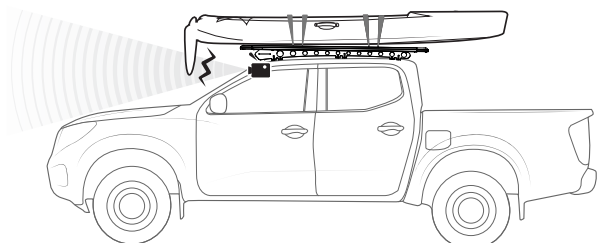
Long flexible loads must attach securely to rigid support and be tied down to the bonnet



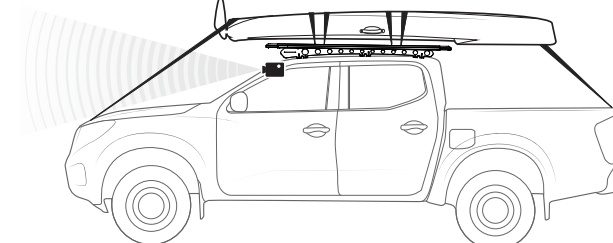
Surfboard Overhang > 600mm / 23 5/8in must be tied to the bonnet



Do NOT obstruct windscreen camera sensors

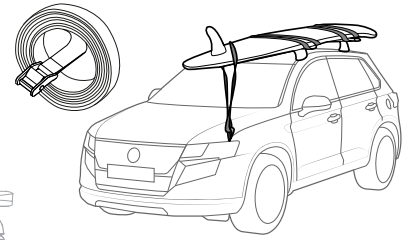
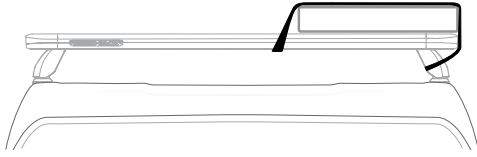


Warranty for roof rack system will be void if the front of the kayak is not secured to the bonnet



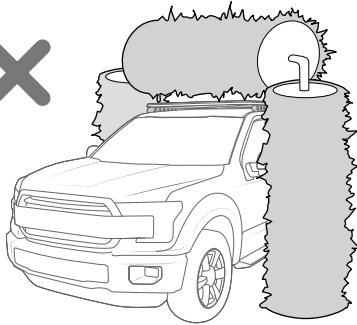


Loads must be tied down to Crossbars, **NOT** around legs



Use only non-stretch fastening ropes or straps to attach cargo to roof racks

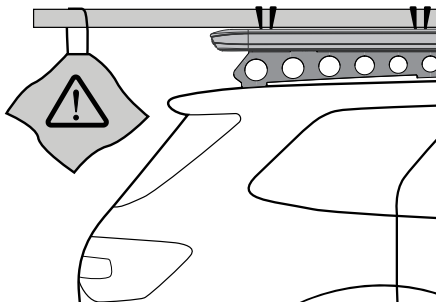
Tub/tray/canopys can move independently from the vehicle cabin. Rigidly fix to either the cabin roof racks **or** the tub/tray/canopy roof racks but not both simultaneously.



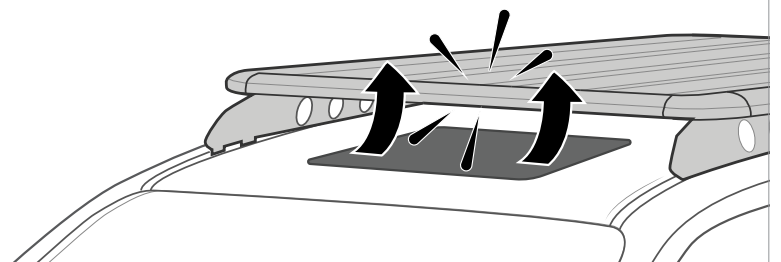
Racks must be removed when vehicle is put through an automatic car wash.



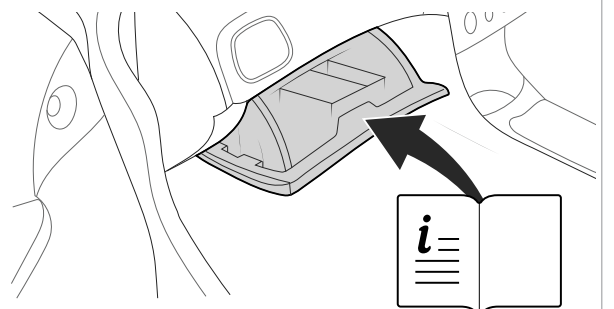
Ensure Ladder is well supported on the ground to support tent. Take extreme caution when climbing heights above 1.2m / 4ft.



Ensure sunroof will not collide with roof rack system.



[Youtube.com/Rhinorackaustralia](https://www.youtube.com/Rhinorackaustralia)



Place these instructions in the glove box once installation is complete

1.

Check your vehicle owners hand book for vehicle maximum carrying capacity and VISIT THE ONLINE CALCULATOR FOR CURRENT SYSTEM LOAD LIMIT DATA.

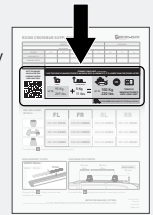


2.

Please ensure you use the vehicle manufacturer’s maximum roof allowance **if it is lower than the figure listed in supplement.**

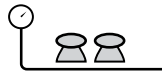


1. Complete **Fit my vehicle** journey
2. Select your **Product Solution**
3. Scroll down to **'Product Details'**
4. Download intructions under the **'INSTRUCTIONS'** tab



**Cargo Load Limit**

Total permissible weight allowed on top, and attached to roof racks whilst the vehicle is in motion.



**System Weight**

Total weight of the roof rack system. (Crossbars, Backbone, Platform)



**Max System Load Capacity**

Please ensure you use the vehicle manufacturer’s maximum roof allowance if it is lower than the figure listed in the fitting chart.



**Vehicle Manufacturer’s Load Limit**

Total permissible weight attached to the roof of the car. This is inclusive of the weight of the roof rack system.

**In service maintenance checks**

- All bolt connections should be checked after driving a short distance when you first install your roof racks.
- All bolted connections should be checked again at regular intervals (weekly is recommended, depending on road conditions, usage, loads and distances travelled).
- All bolted connections should be checked each time they are re-fitted.
- Off-road conditions are more rigorous. Check all bolted connections and your load more regularly.
- Ensure that your vehicle manufacturer’s GVM, and gross axle weights are not exceeded (refer to vehicle owner’s manual).

**Note for Dealers and Fitters**

It is your responsibility to ensure these fitting instructions are given to the end user or client. These instructions remain the property of Rhino-Rack Australia Pty. Ltd. and may not be used or changed for any other purpose than intended.

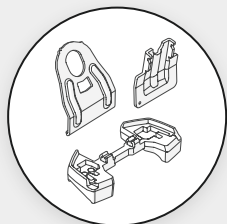
**Warranty**

We love creating our products for you and hope you love using them too. For complete peace of mind, register your product at [www.rhinorack.com/warranty](http://www.rhinorack.com/warranty). This way, we can quickly help you with any future warranty claims. And remember – never to forget to **Make Space For Adventure!**

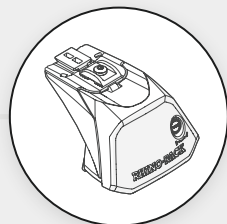


## SYSTEM COMPONENTS

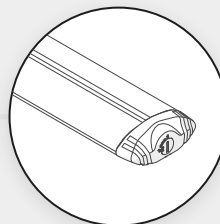
BASE KIT



LEGS

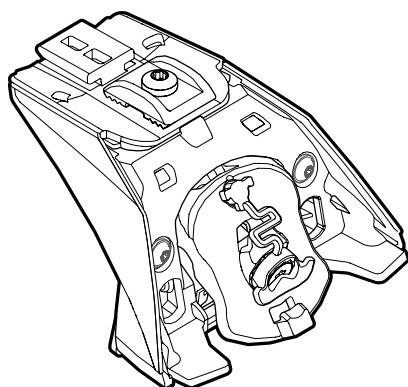


BARS



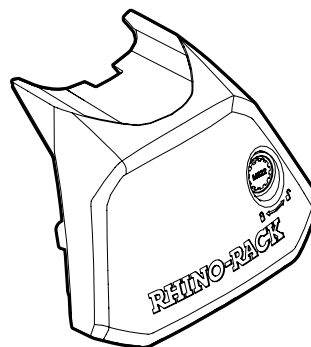
### Parts List

Leg assembly



**A** x4

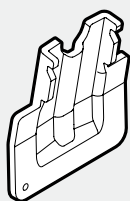
Cover



**B** x4

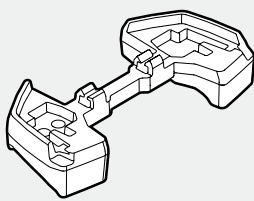
BASE KIT

Inner Clamp



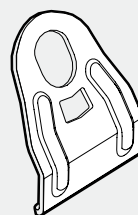
**C** x4

Pad



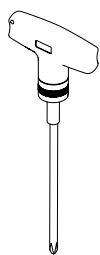
**D** x4

Outer Clamp



**E** x4

Torque Tool



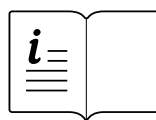
**F** x1

Key



**G** x2

Fitting Instruction



**H** x1

**TOOLS REQUIRED:**

**T1** - Tape Measure

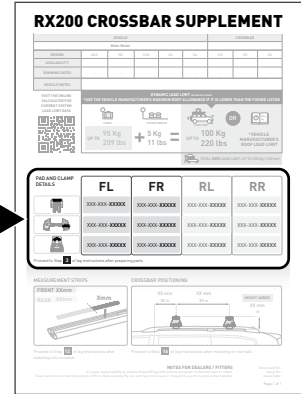
**T2** - Scissors

**1** Locate your vehicle-specific RX200 CROSSBAR SUPPLEMENT.

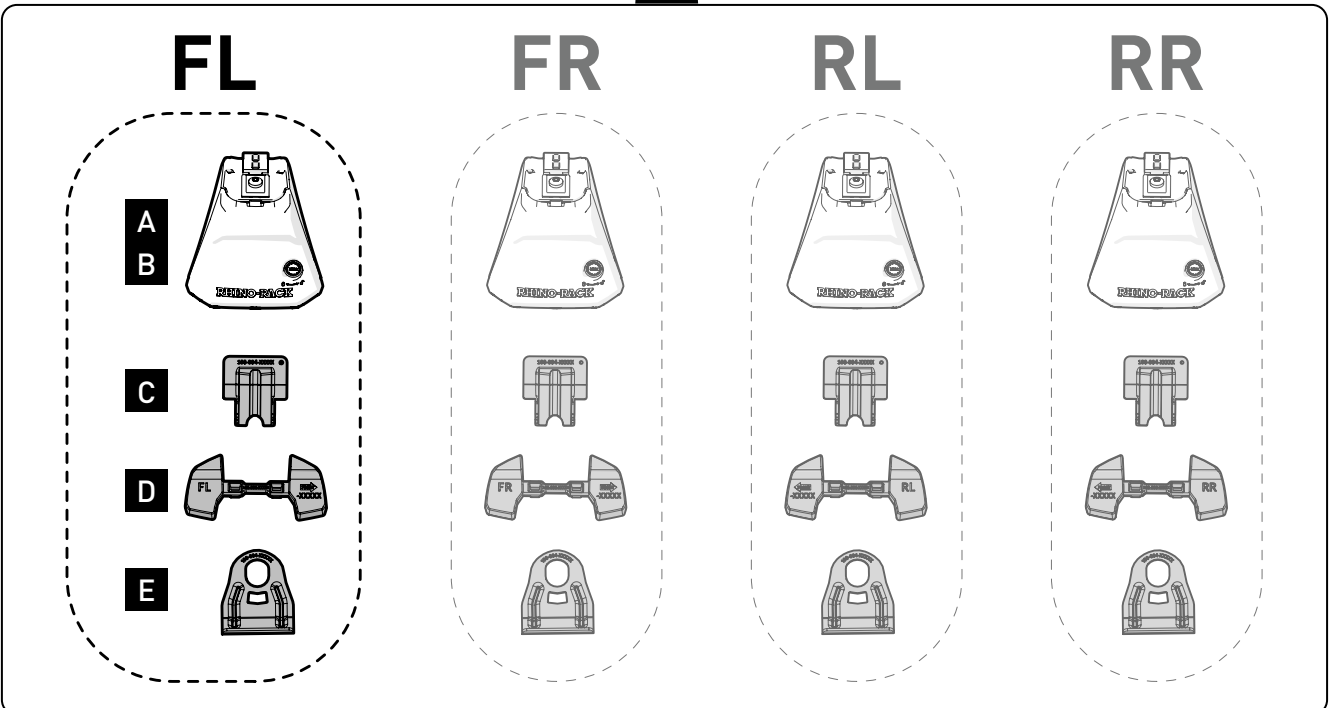
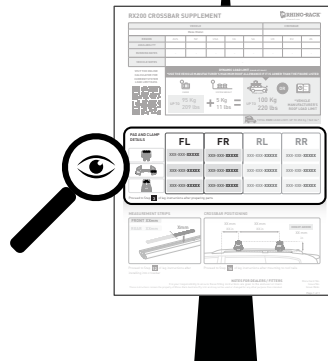
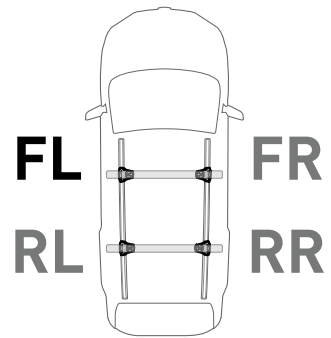
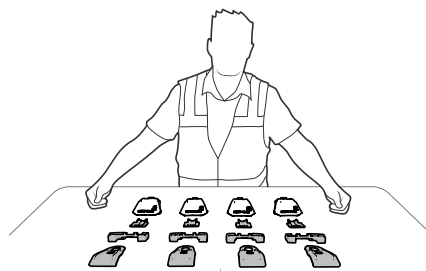
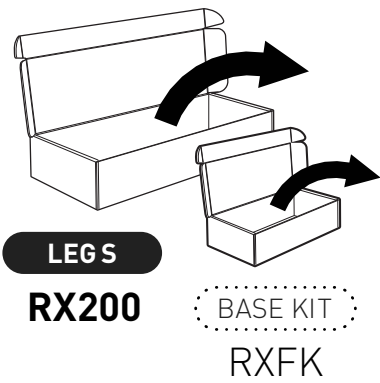


rhinorack.com/roof

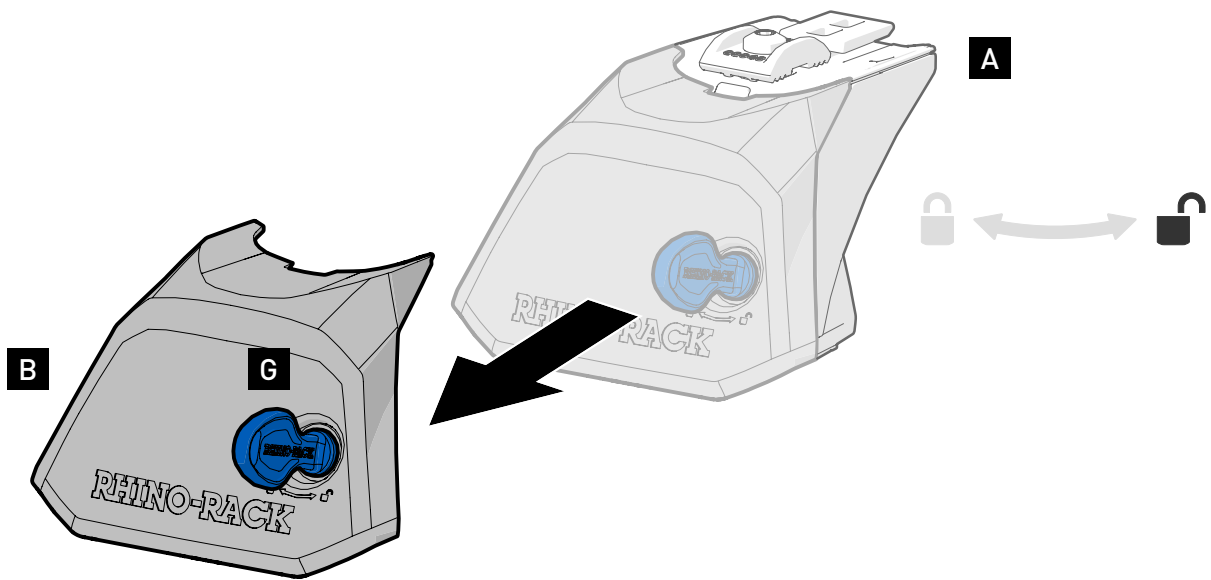
1. Complete **Fit my vehicle** journey
2. Select your **Product Solution**
3. Scroll down to **'Product Details'**
4. Download instructions under the **'INSTRUCTIONS'** tab



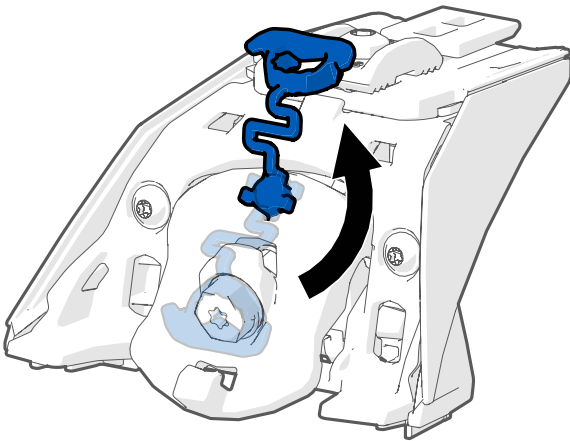
**2**



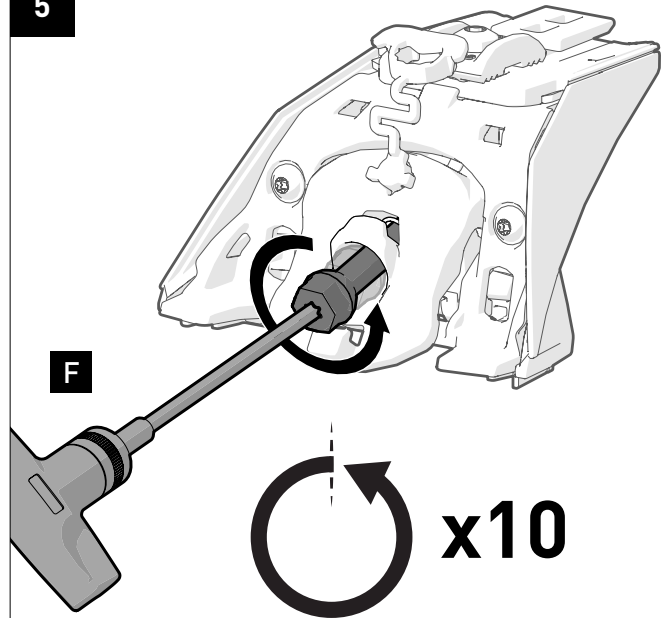
3



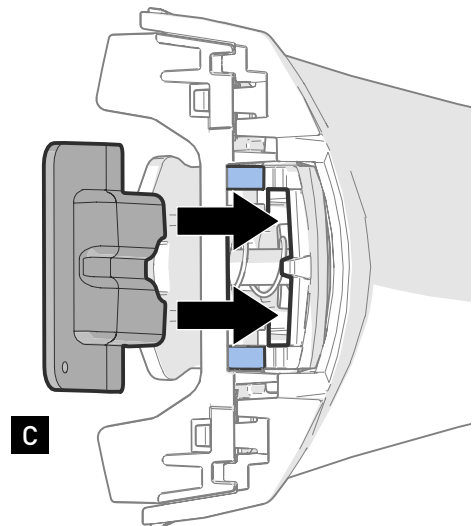
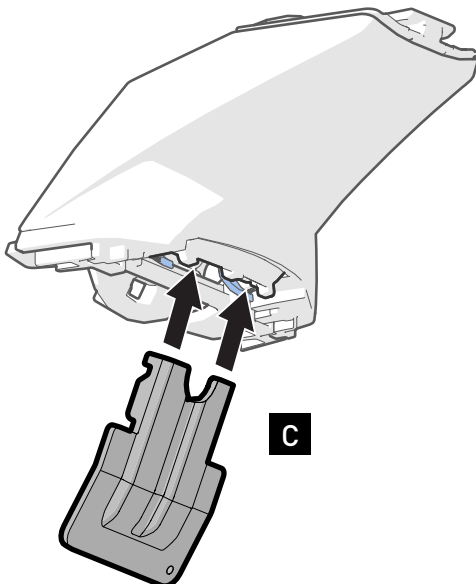
4



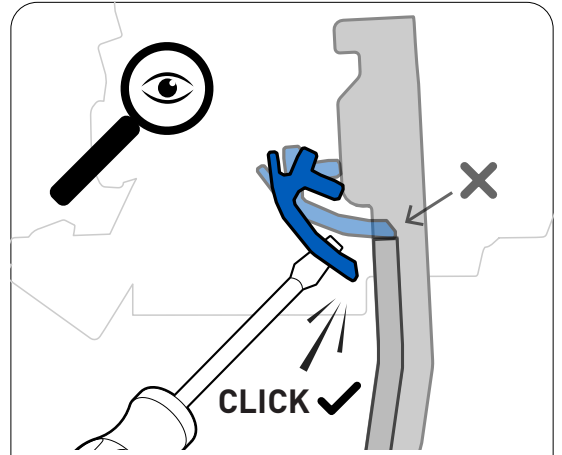
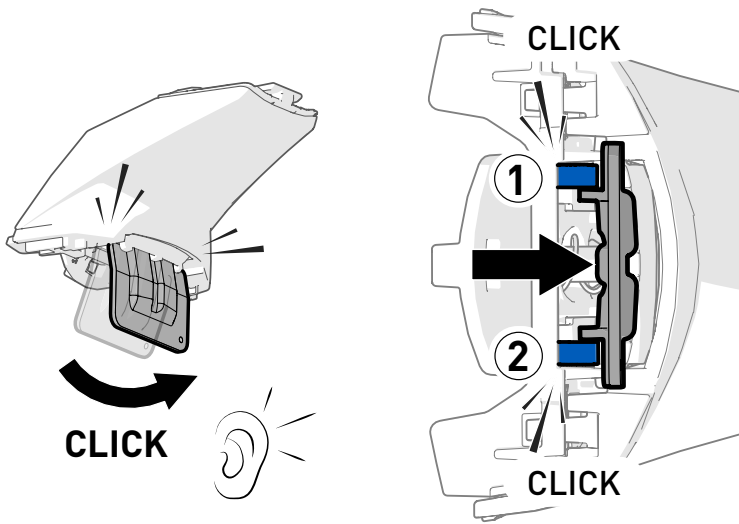
5



6a

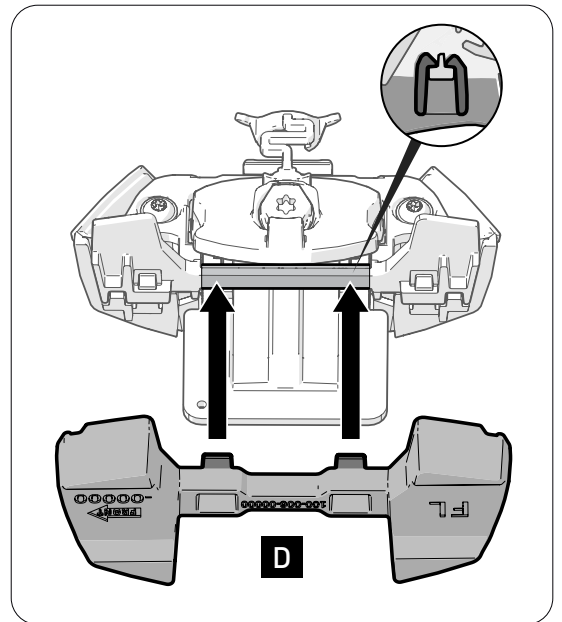
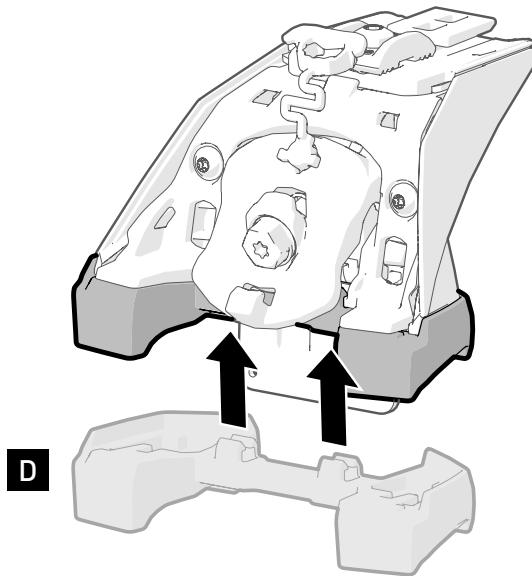


6b

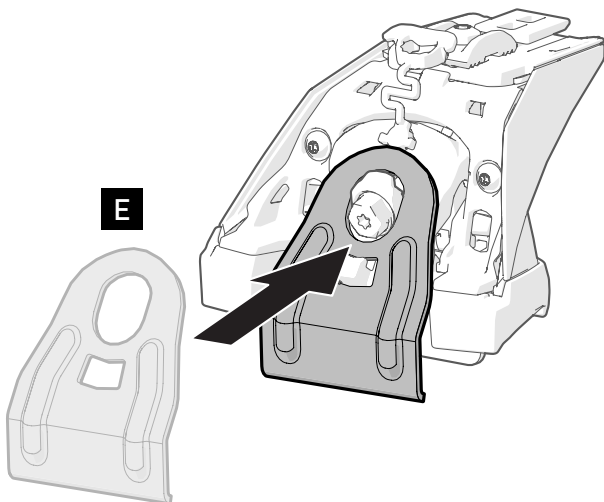


**NOTE:** Check the blue retainer clips are locked over the clamp. A flat head screwdriver may be required to help secure both clips over the clamp

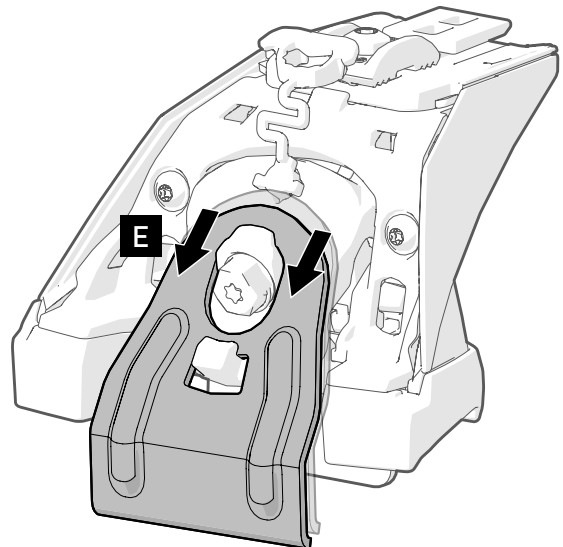
7



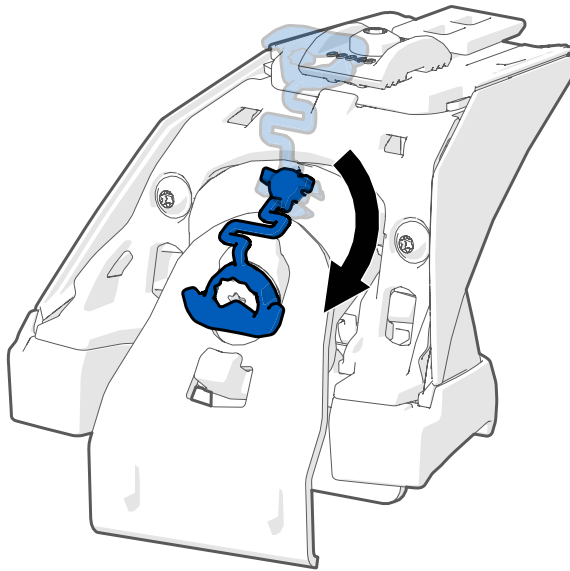
8a



8b

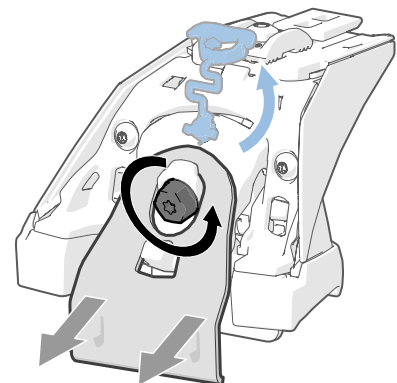
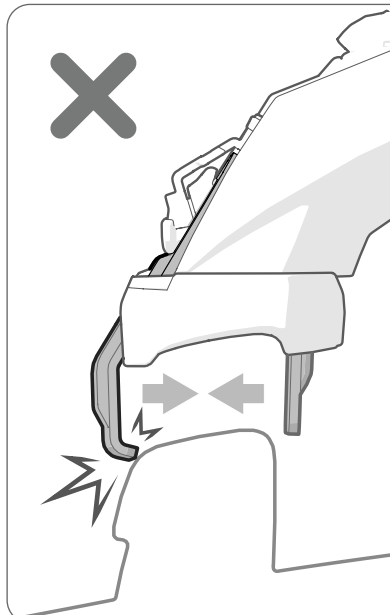
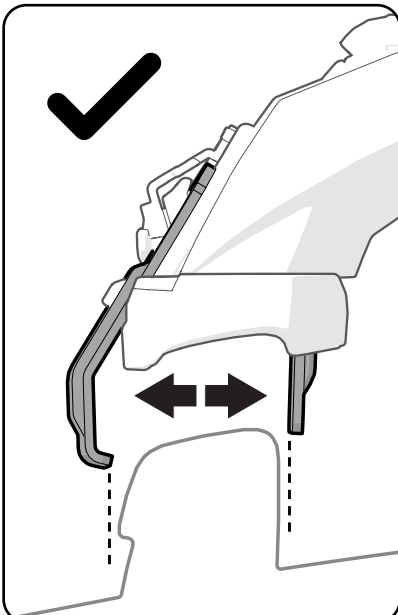
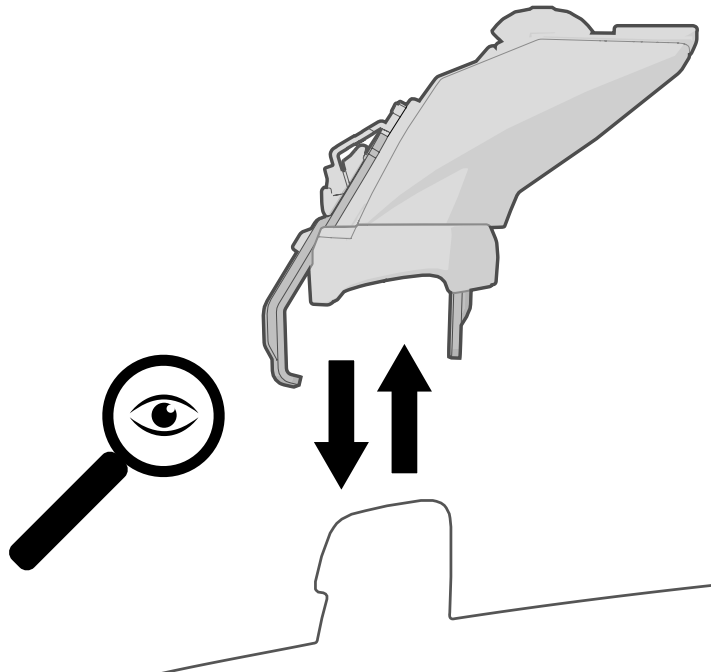


9



Failing to rotate to 'lock' position may result in clamps detaching and damaging vehicle.

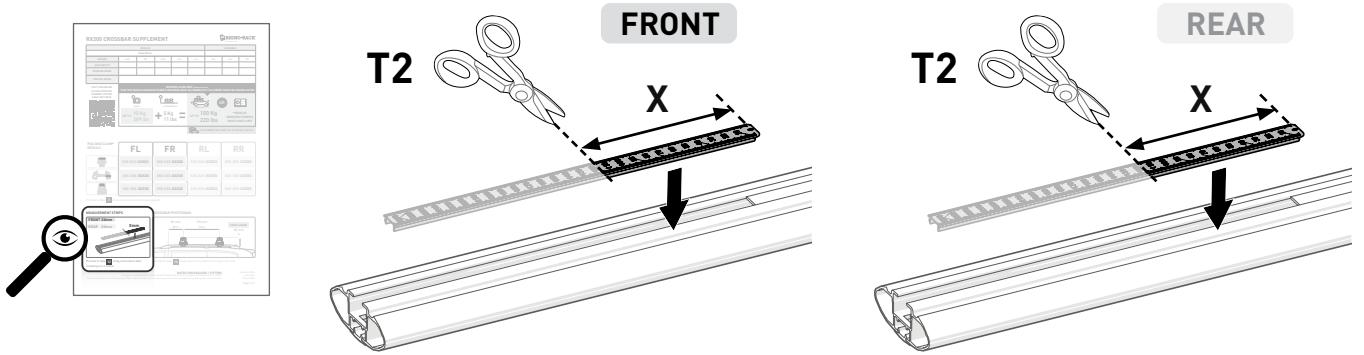
10



**Do not** loosen bolt excessively, or the bolt will disengage from the leg body.

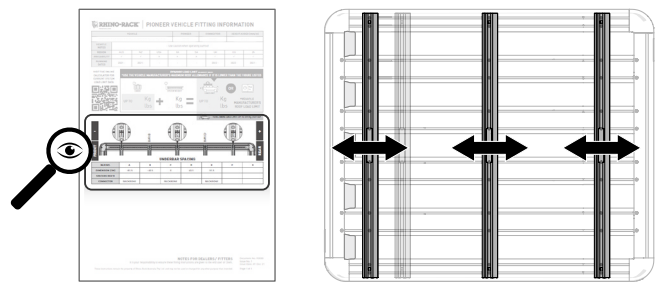
**11 FOR VORTEX BARS:**

Refer to RX200 CROSSBAR SUPPLEMENT. Once completed, proceed to Step **12**



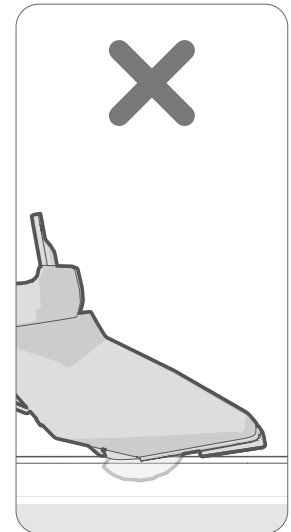
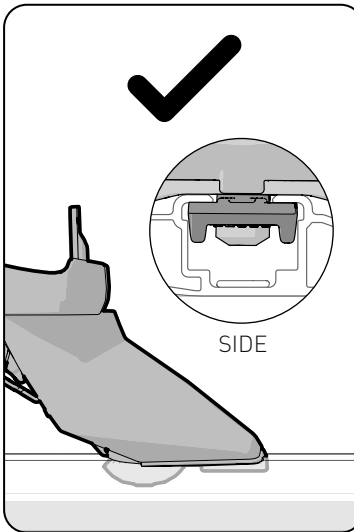
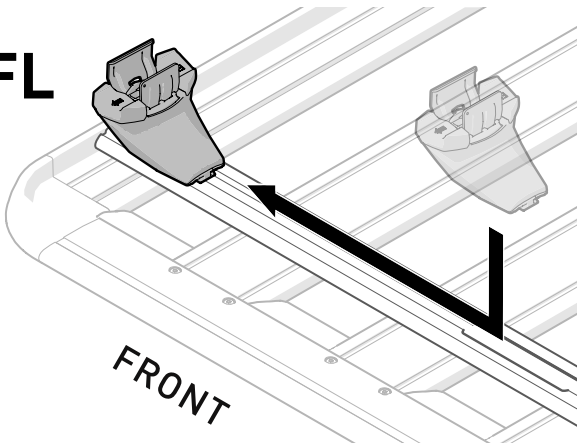
**FOR PIONEER PLATFORMS:**

Proceed to PIONEER INSTRUCTION and PIONEER FITTING CHART to adjust Platform underbars.



Once underbars are adjusted, insert legs then proceed to Step **15**

**FL**



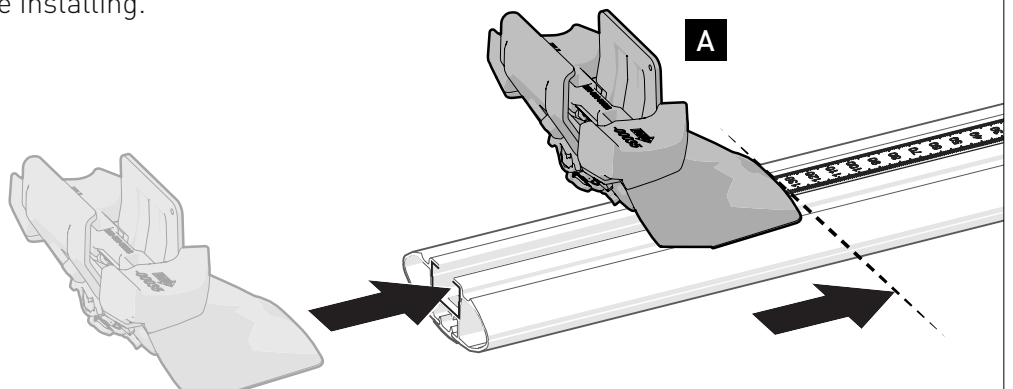
**12a** Refer to Step **12b** while installing.

**FL**

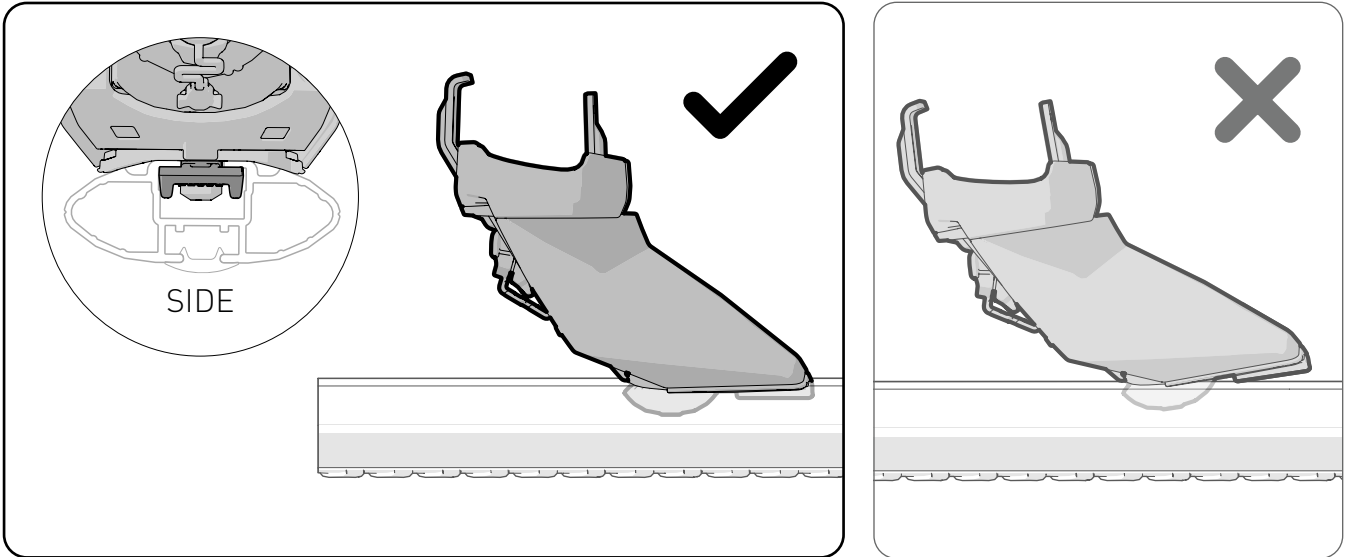
**FR**

**RL**

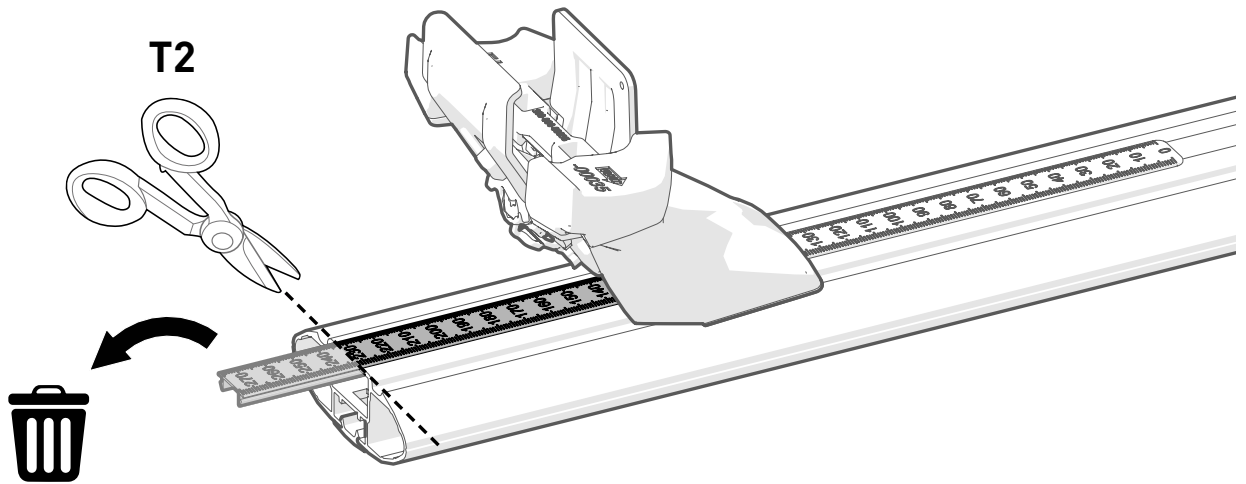
**RR**



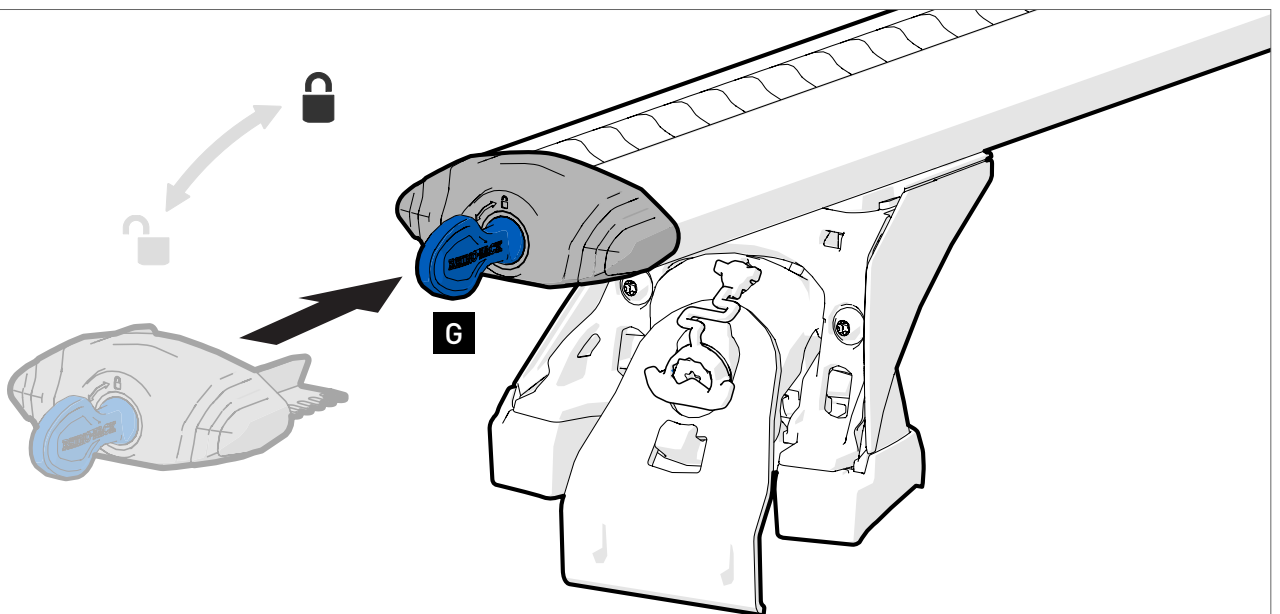
12b



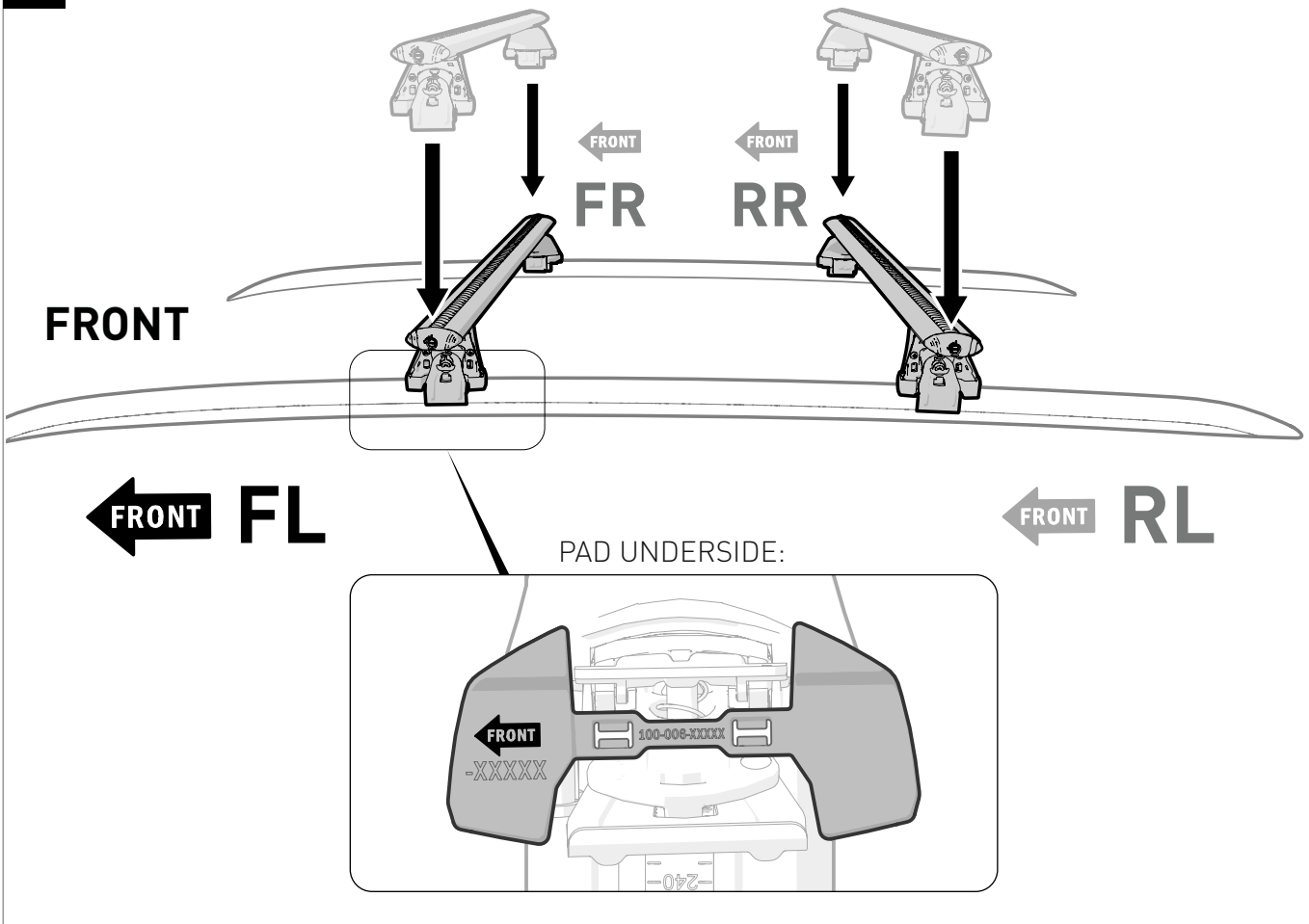
13



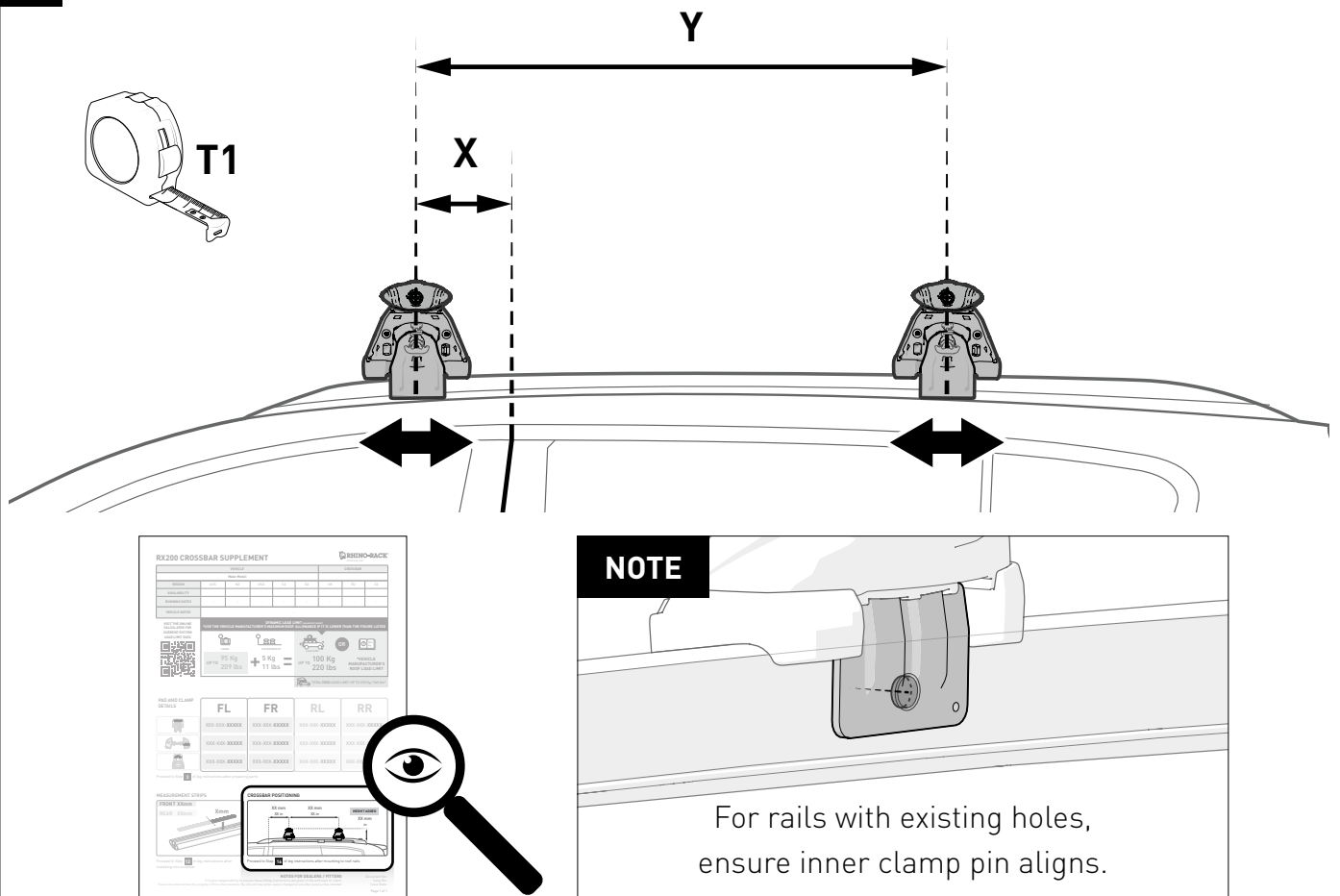
14



15

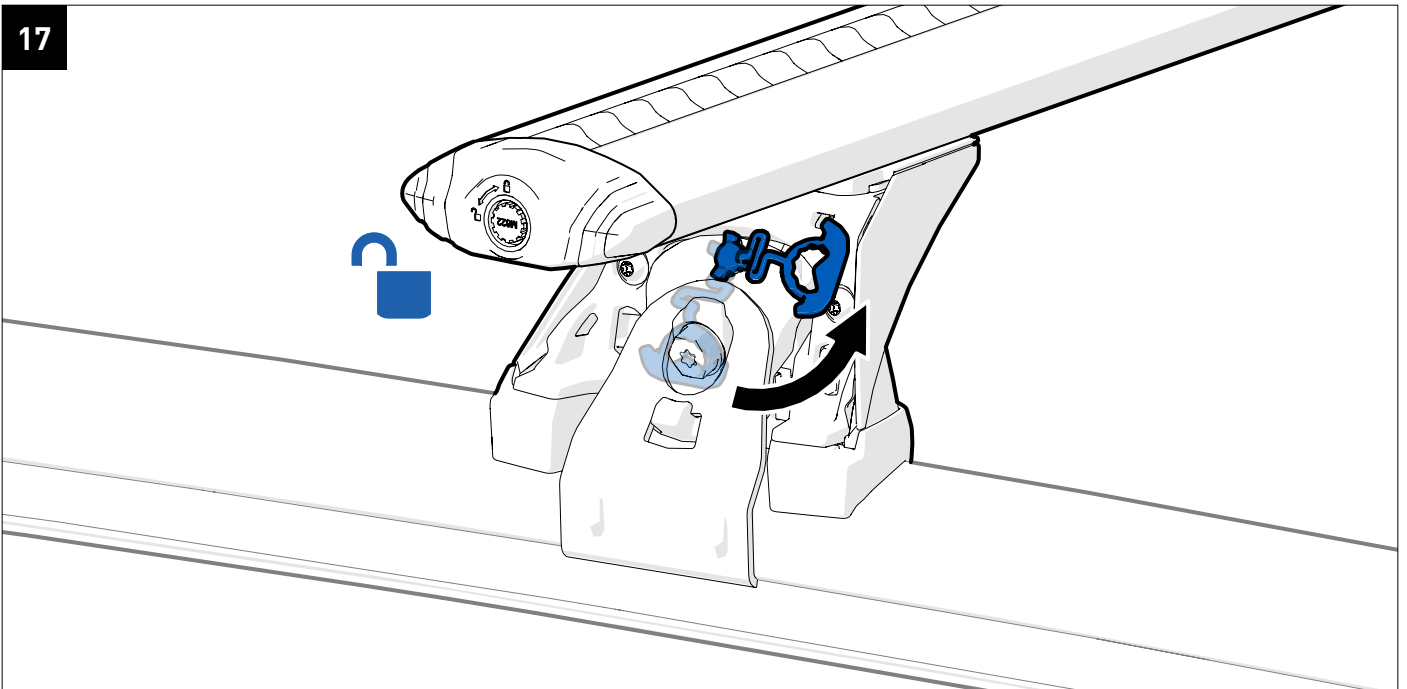


16

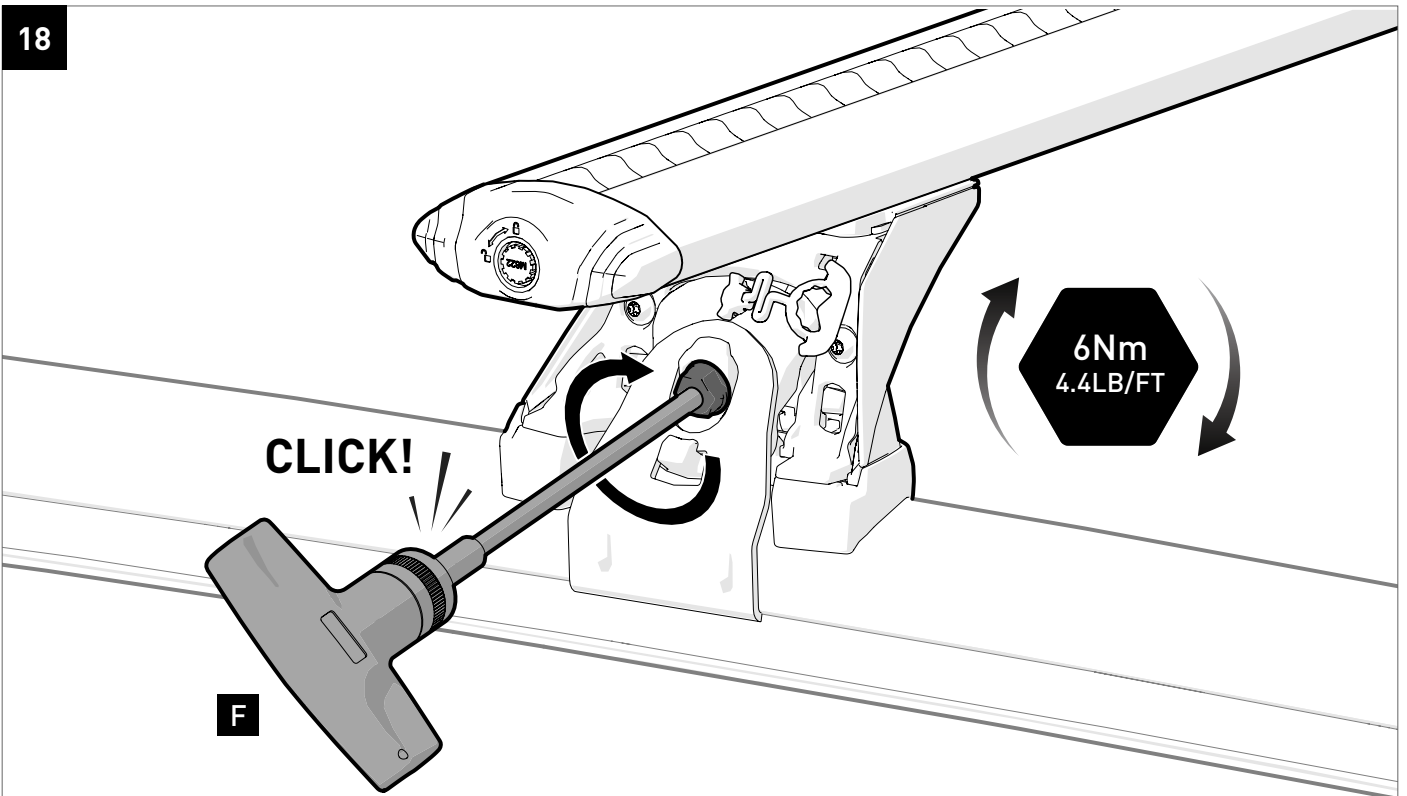




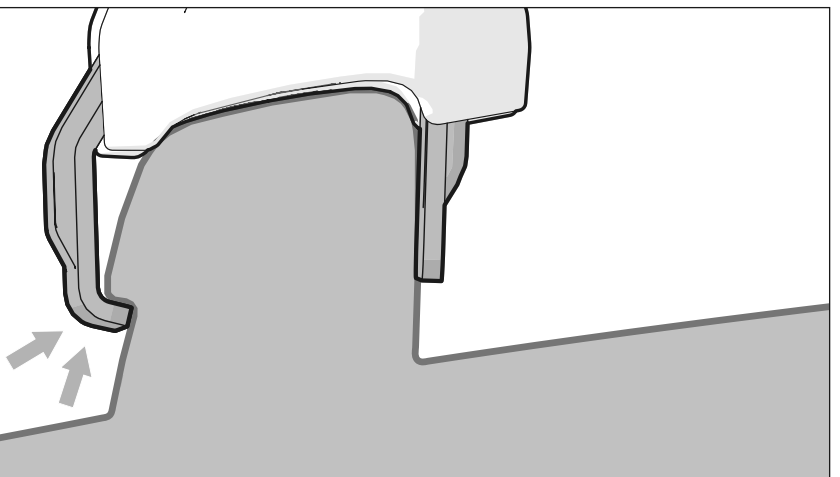
17



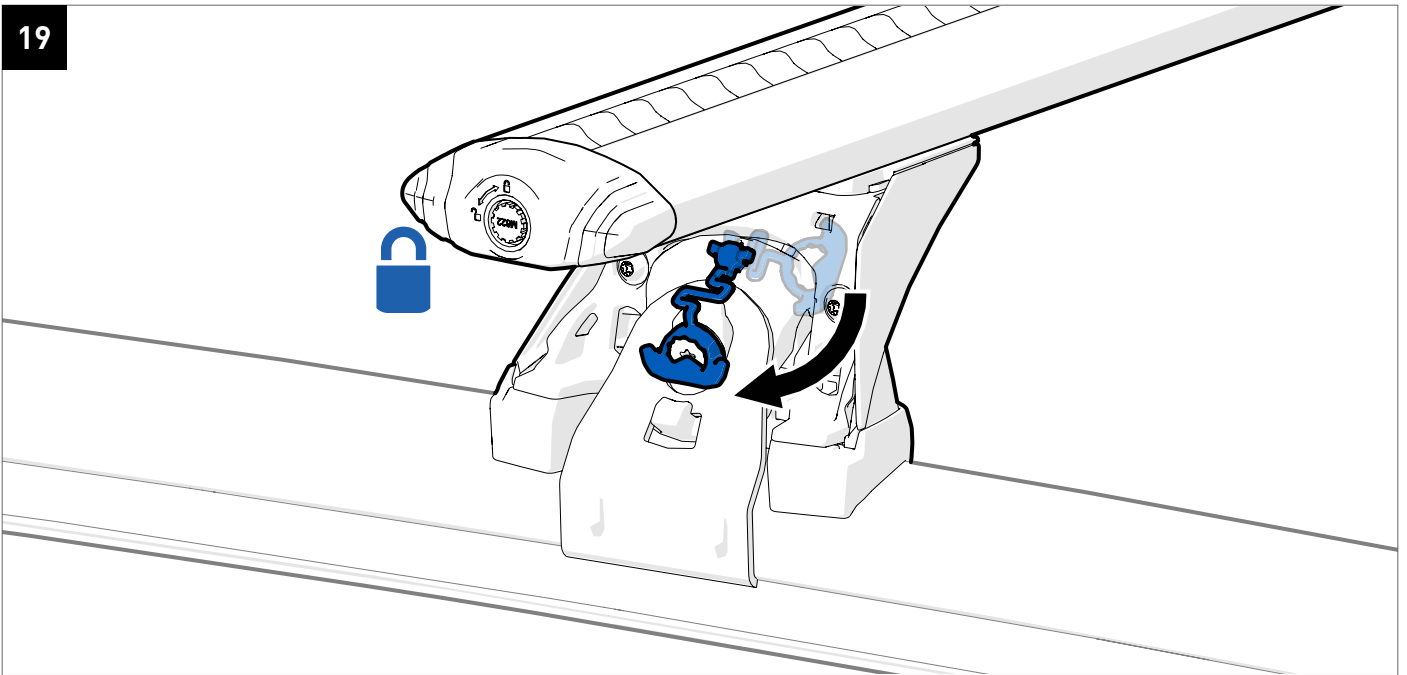
18



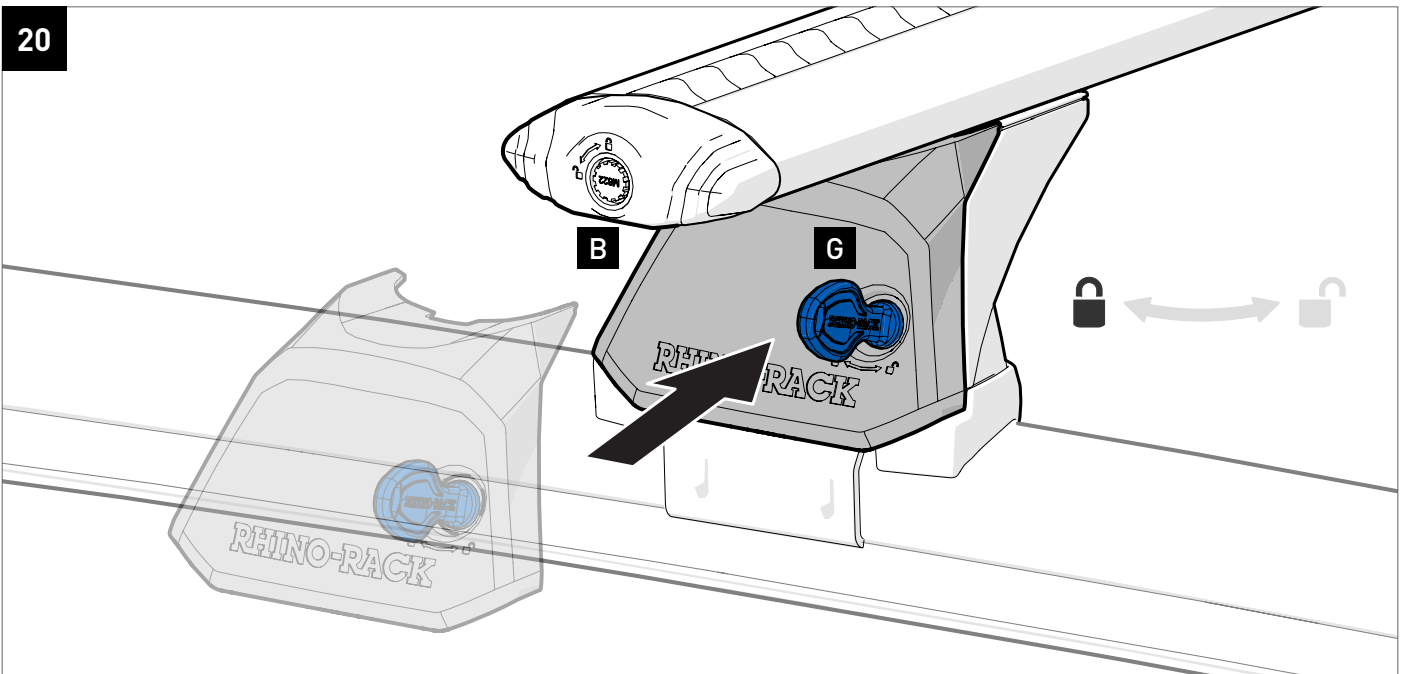
Ensure snug fit.  
Adjust if required.



19

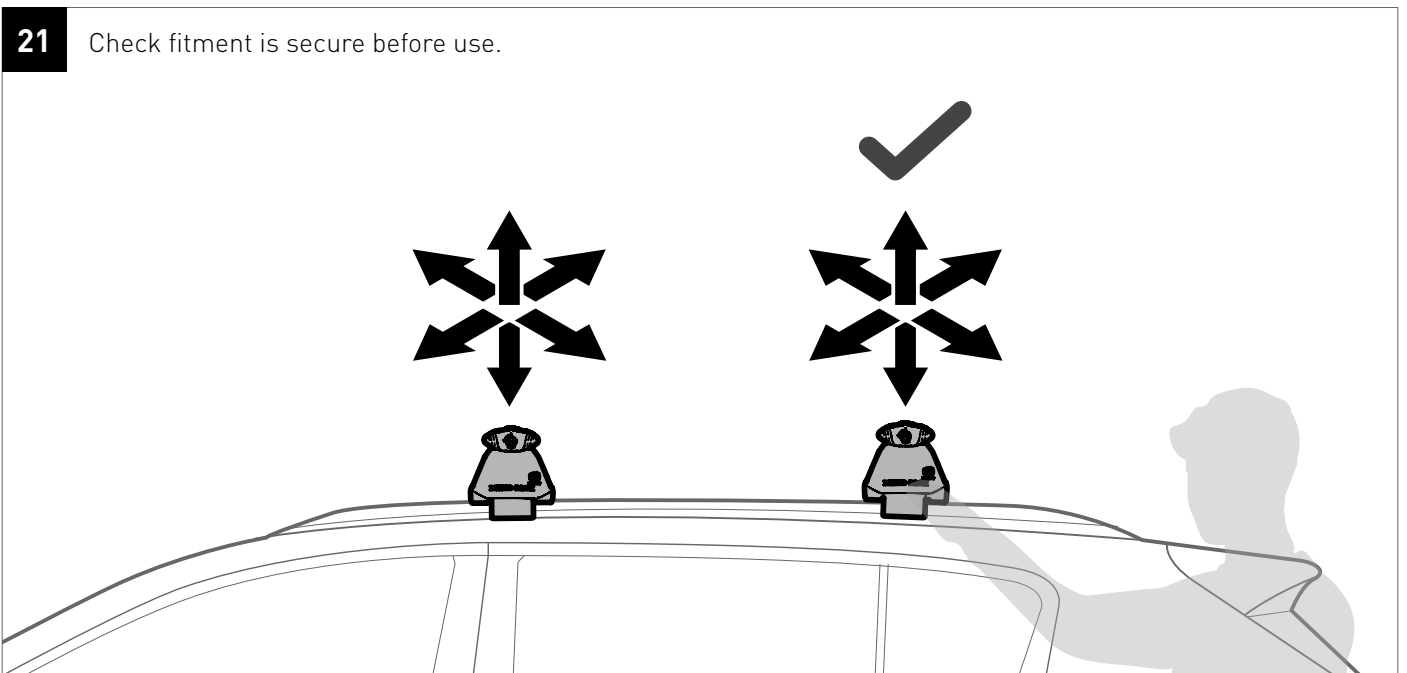


20



21

Check fitment is secure before use.



# NOTES

---

---

---

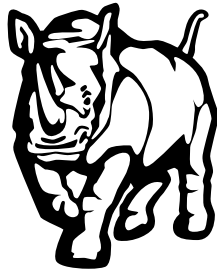
---

---

---

---

---



**RHINO-RACK®**

MAKE SPACE FOR ADVENTURE

**RHINORACK.COM**

**Rhino-Rack AUSTRALIA**

22A Hanson Pl,  
Eastern Creek, NSW, 2766

**Rhino-Rack USA**

19822 East 22nd Ave,  
Aurora, CO, 80011