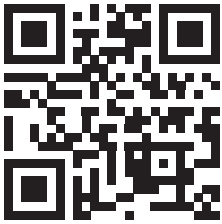


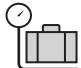




RX200 CROSSBAR SUPPLEMENT

VEHICLE					KIT		CROSSBAR	
FORD EVEREST U704 Gen 3 Flush Rail 4WD-SUV 5 dr					RX2FK001		VA126B	
REGION	AUS	NZ	USA	CA	SA	UK	EU	ZA
AVAILABILITY	✓	✓	✗	✗	✗	✗	✗	✓
RUNNING DATES	2022 -	2022 -	-	-	-	-	-	2022 -
VEHICLE NOTES	-							

VISIT THE ONLINE CALCULATOR FOR CURRENT SYSTEM LOAD LIMIT DATA

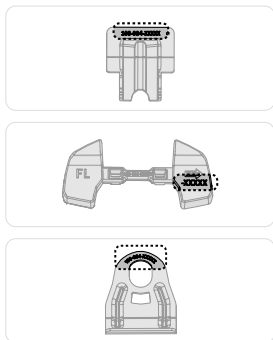


DYNAMIC LOAD LIMIT (ON AND OFF-ROAD):
 *USE THE VEHICLE MANUFACTURER'S MAXIMUM ROOF ALLOWANCE IF IT IS LOWER THAN THE FIGURE LISTED

 CARGO	 SYSTEM WEIGHT	 LOAD LIMIT		 Max kg
UP TO 95 Kg 209 lbs	+ 5 Kg 11 lbs =	UP TO 100 Kg 220 lbs		*VEHICLE MANUFACTURER'S ROOF LOAD LIMIT

 TOTAL STATIC LOAD LIMIT: UP TO 250 Kg / 551 lbs*

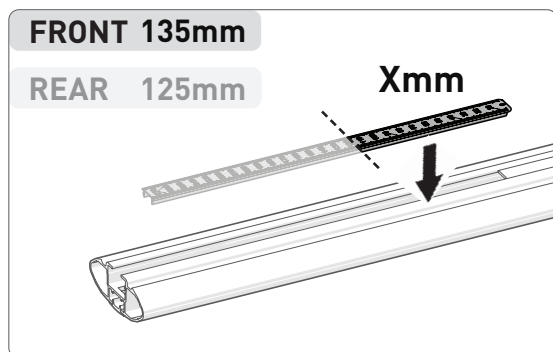
PAD AND CLAMP DETAILS



FL	FR	RL	RR
100-004-00212	100-004-00212	100-004-00212	100-004-00212
100-006-00035	100-006-00036	100-006-00037	100-006-00038
100-004-00210	100-004-00210	100-004-00211	100-004-00211

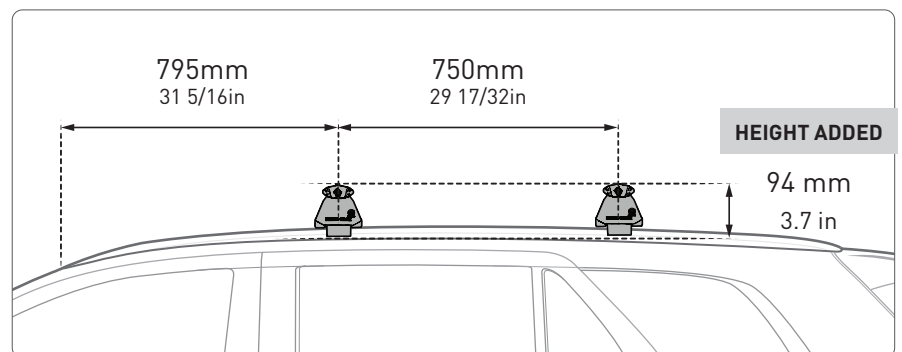
Proceed to Step **3** of leg instructions after preparing parts

MEASUREMENT STRIPS



Proceed to Step **12** of leg instructions after installing into crossbar

CROSSBAR POSITIONING



Proceed to Step **16** of leg instructions after mounting to roof rails

NOTES FOR DEALERS / FITTERS

It is your responsibility to ensure these fitting instructions are given to the end user or client. These instructions remain the property of Rhino-Rack Australia Pty. Ltd. and may not be used or changed for any other purpose than intended.

Document No: R3719
 Issue No: 1
 Issue Date: 26-Jun-24