






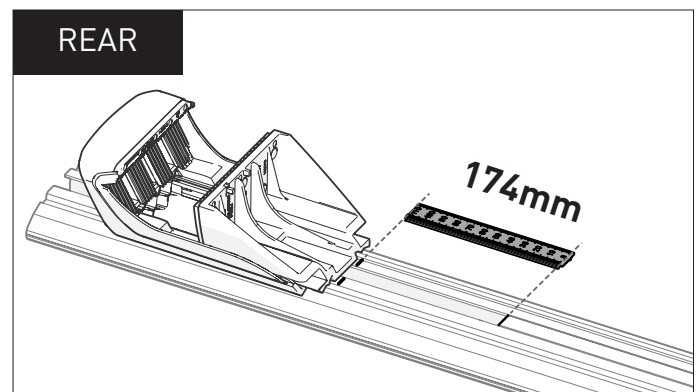
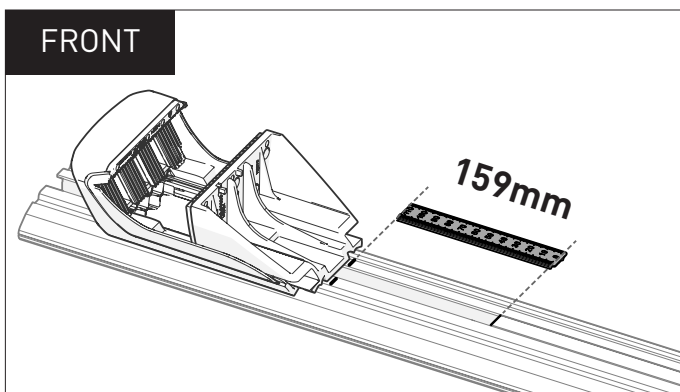
RX100 CROSSBAR SUPPLEMENT

VEHICLE						CROSSBAR		
FORD Ranger Wildtrak Pickup/Ute Tub Raised Rail 4 dr						VA165B		
REGION	AUS	NZ	USA	CA	SA	UK	EU	ZA
AVAILABILITY	✓	✓	x	x	x	✓	x	✓
RUNNING DATES	2022 -	2022 -	-	-	-	2022 -	-	2022 -
VEHICLE NOTES	Load rating table below, specifically for the Ranger Wildtrak tub rails, is to be used instead of the generic RX100 leg instruction load rating table on pg 5.							

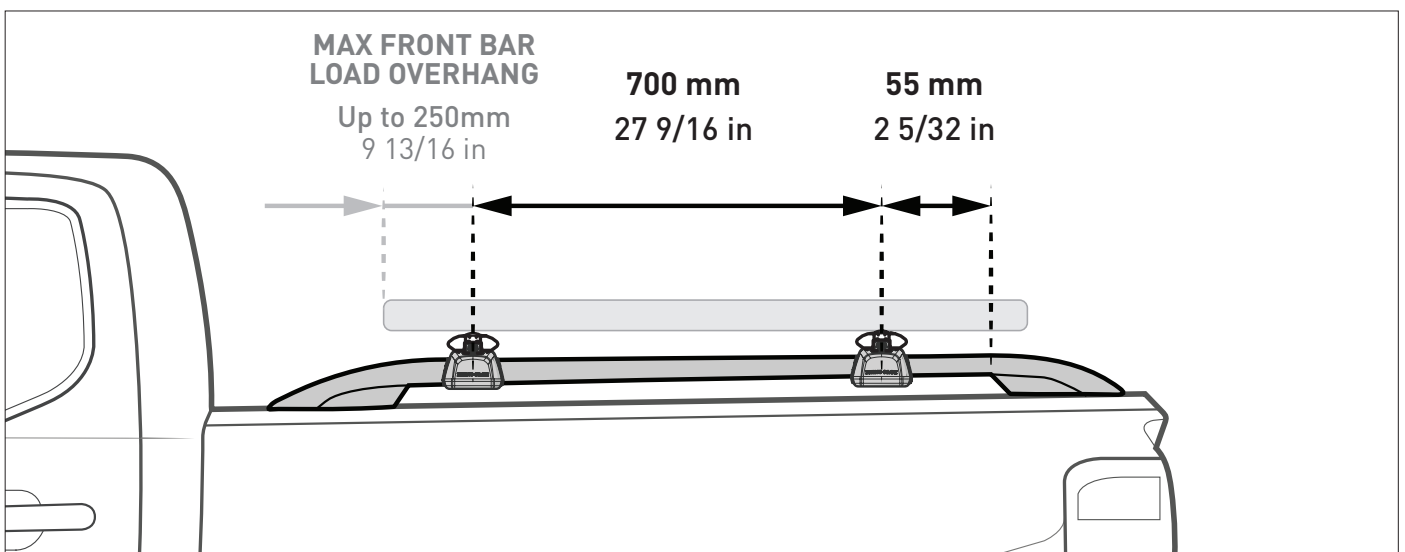
DYNAMIC LOAD LIMIT:
 *USE THE VEHICLE MANUFACTURER'S MAXIMUM TUB RAISED RAIL ALLOWANCE IF IT IS LOWER THAN THE FIGURE LISTED

 CARGO	 SYSTEM WEIGHT	+	 LOAD LIMIT	=		 Max kg
UP TO 35 KG 77 lbs	5 KG 11 lbs		UP TO 40 KG 88 lbs			*VEHICLE MANUFACTURER'S TUB RAISED RAIL LOAD LIMIT

MEASUREMENT STRIPS



CROSS BAR DETAILS



Proceed to Step 16 of the **LEG KIT** instructions to complete installation.