



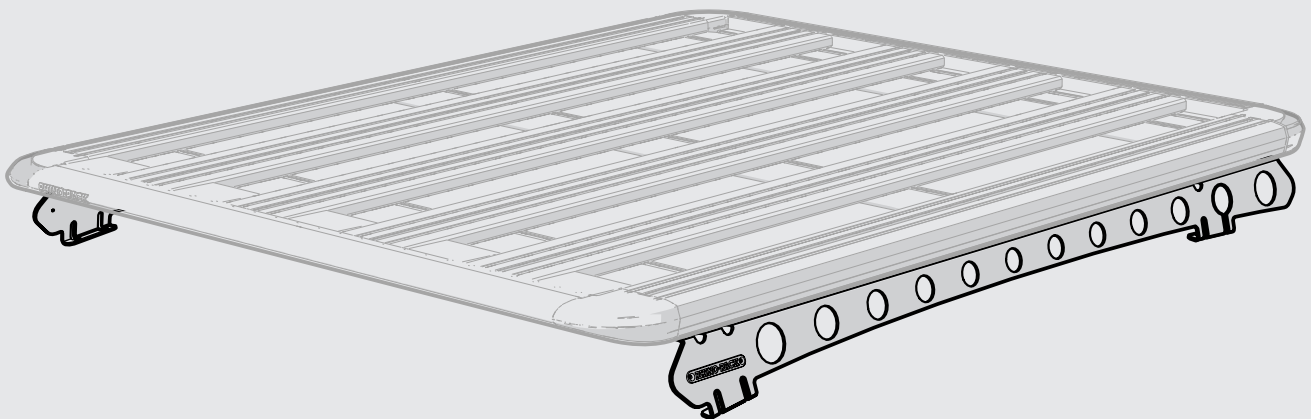
RHINO-RACK®

Toyota Hilux Gen 7, Gen 8 & Gen 9 Double Cab Backbone RTHB1

Important:

1. Check the Rhino-Rack website to ensure you have the latest issue of these instructions.
2. Please refer to your fitting instruction to ensure that the roof racks are installed in the correct locations.
3. Check the contents of kit before commencing fitment and report any discrepancies.
4. Place these instructions in the vehicle's glove box after installation is complete.
5. These instructions must be followed for warranty to be upheld.

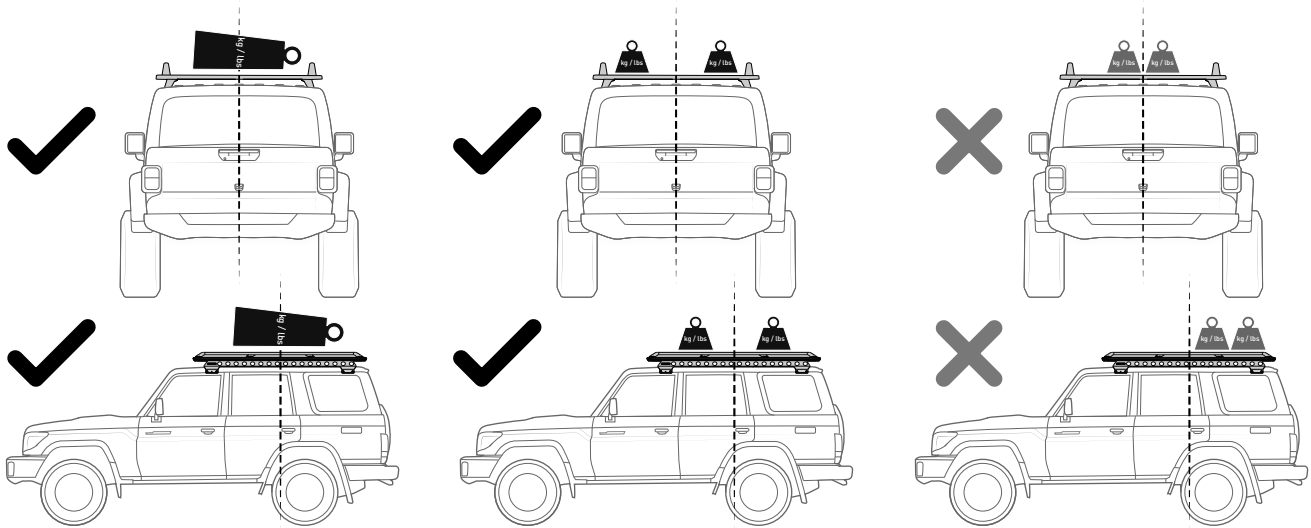
Fit Time: 30 min



Rhino-Rack AUSTRALIA
22A Hanson Pl,
Eastern Creek, NSW, 2766
(02) 8846 1900
rhinorack.com.au

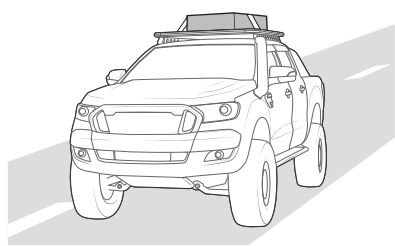
Rhino-Rack USA
Unit D, 2450 Airport Blvd,
Aurora, CO, 80011
877-744-6622
rhinorack.com

Document No: R2449
Issue No: 05
Issue Date: 07/05/2026



Distribute loads evenly and laterally/longitudinally as low as possible over the span.

Avoid point loads concentrated at the front or rear.



Exercise extreme care when transporting wind-resistant loads. Special consideration must be taken when cornering and braking.



Off-road conditions can be much more rigorous. Extreme care must be taken on any driven path that does not contain a surface protection layer (tar/bitumen).



Without a load:

Do not exceed a maximum speed of 130 km/h (80 mph)



With a load:

Do not exceed a maximum speed of 100 km/h (62MPH)



TAP HERE

For additional Pioneer Vehicle Fitting Information refer to your vehicle's online supplement sheet.

RHINO-RACK PIONEER VEHICLE FITTING INFORMATION

VEHICLE	PIONEER	CONNECTOR	HEIGHT ADDED (mm/in)
			XXX/XX

VEHICLE NOTES: - Do not operate sunroof

REGION	AUS	NZ	USA	CA	SA	UK	EU	ZA
AVAILABILITY	✓	✓	x	x	x	x	x	✓
RUNNING DATES	2015 -	2015 -	-	-	-	-	-	2015 -

VISIT THE ONLINE CALCULATOR FOR CURRENT SYSTEM LOAD LIMIT DATA

DYNAMIC LOAD LIMIT (ON AND OFF-ROAD)
 *USE THE VEHICLE MANUFACTURER'S MAXIMUM ROOF ALLOWANCE IF IT IS LOWER THAN THE FIGURE LISTED

UP TO **XXX Kg** / **XXX lbs** + **XX Kg** / **XX lbs** = UP TO **XXX Kg** / **XXX lbs**

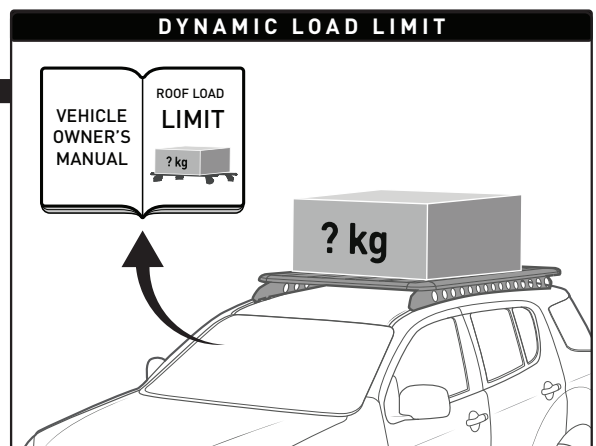
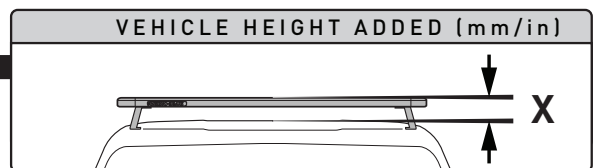
OR

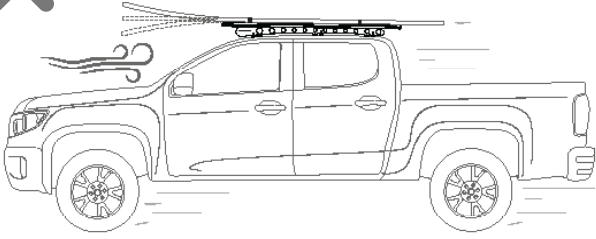
UP TO **XXX Kg** / **XXX lbs** *VEHICLE MANUFACTURER'S ROOF LOAD LIMIT

TOTAL STATIC LOAD LIMIT: UP TO

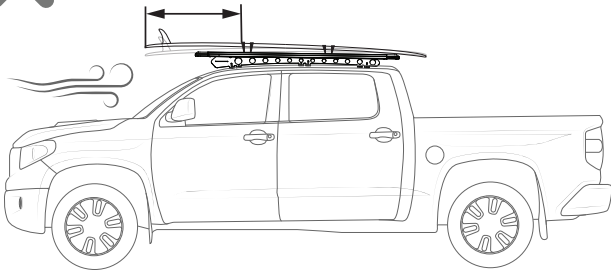
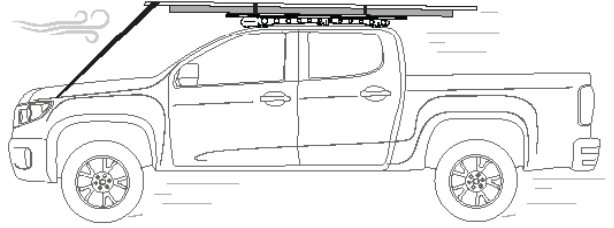
UNDERBAR SPACING

BAR NO.	A	B	C	D	E	F	G
DIMENSION (CM)							
SPACERS REQ'D							
CONNECTOR	BACKBONE		BACKBONE		BACKBONE		

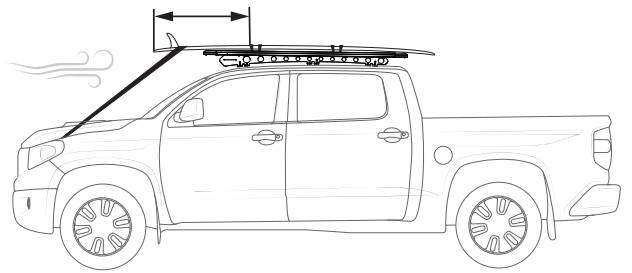




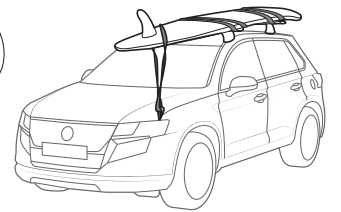
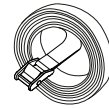
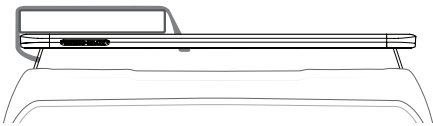
Long flexible loads must attach securely to rigid support and be tied down to the bonnet



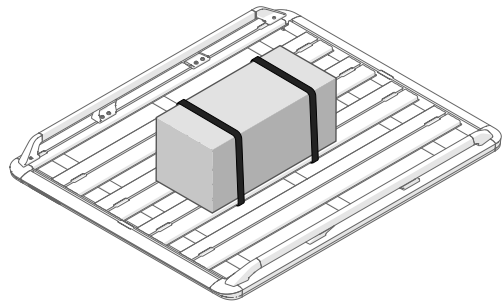
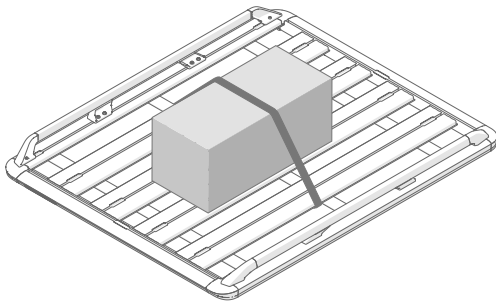
Surfboard Overhang > 600mm must be tied to the bonnet



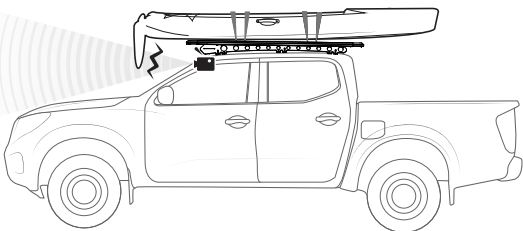
Loads must be tied down to Platform, **NOT** around Backbone



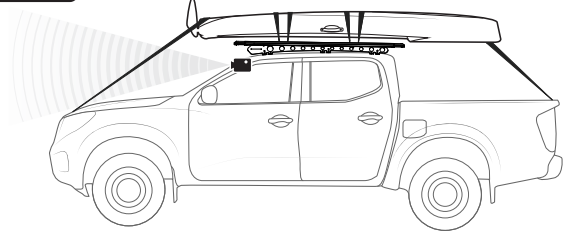
Use only non-stretch fastening ropes or straps to attach cargo to roof racks



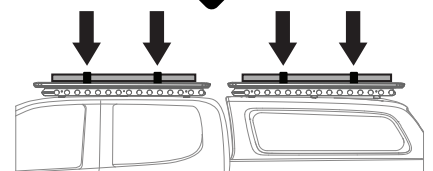
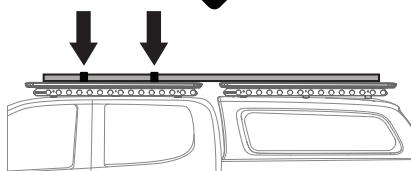
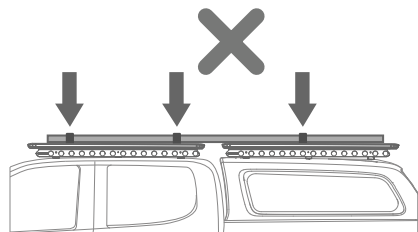
Do NOT obstruct windscreen camera sensors



Warranty for roof rack system will be void if the front of the kayak is not secured to the bonnet



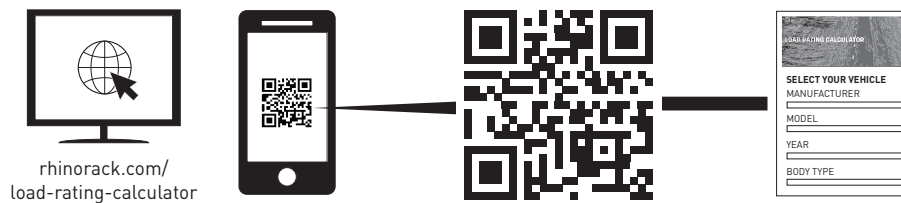
Tub/tray/canopys can move independently from the vehicle cabin. Rigidly fix to either the cabin roof racks or the tub/tray/canopy roof racks but not both simultaneously.



RTHB1 Instructions

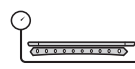
Carrying Capacity

Check the website and the vehicle owners hand book for your vehicle manufacturer's maximum carrying capacity. Load must be evenly distributed over the system.



Cargo Load Limit

Total permissible weight allowed on top, and attached to the bed rack whilst the vehicle is in motion.



System Weight

Total weight of the bed rack system. (e.g. Crossbars, Backbone, Platform)



Max System Load Capacity

Please ensure you use the vehicle manufacturer's maximum bed rack allowance if it is lower than the figure listed in the fitting chart/supplement.



Vehicle Manufacturer's Load Limit

Total permissible weight attached to the bed rack. This is inclusive of the weight of the bed rack system.

Warning

- Check part number or kit is correct for use with your vehicle.
- Do not attempt to fit the bed rack system to your vehicle unless you fully understand these fitting instructions. Please direct any questions regarding fitting to the dealer from where the roof racks were purchased.
- Off-road conditions can be much more rigorous. Extreme care must be taken on any driven path that does not contain a surface protection layer (tar/bitumen).
- Bed racks must be removed when vehicle is put through an automatic car wash.
- With utility/pick up vehicles, the cabin and the truck bed move independently. Bed racks and vehicle can be damaged if the item transported is rigidly fixed at points on both the cabin and truck bed. Instead, rigidly fix to either the bed racks or the canopy roof racks.
- Always ensure you fasten your load securely.
- Use only non-stretch fastening ropes or straps to attach cargo to your load.

In service maintenance checks

- All bolt connections should be checked after driving a short distance when you first install your roof racks.
- All bolted connections should be checked again at regular intervals (weekly is recommended, depending on road conditions, usage, loads and distances travelled).
- All bolted connections should be checked each time they are re-fitted.
- Off-road conditions are more rigorous. Check all bolted connections and your load more regularly.
- Ensure that your vehicle manufacturer's GVM, and gross axle weights are not exceeded (refer to vehicle owner's manual).

Torque Settings

Unless stated otherwise in these instructions, all fasteners should be set to the following torque settings:

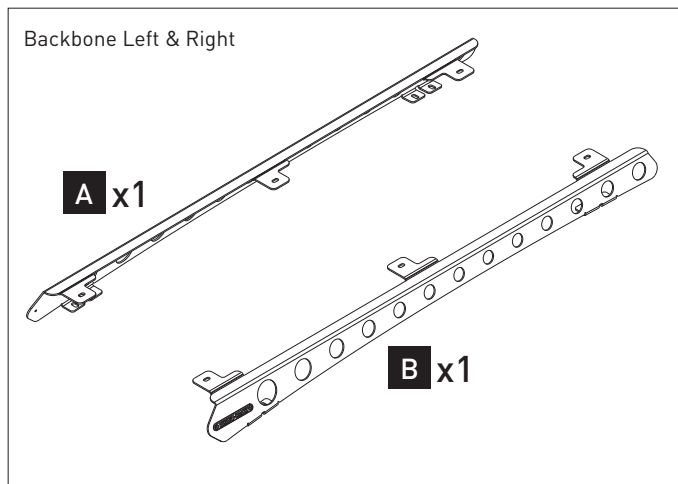
- M6: 4-5Nm (3-4lbs/ft),
- M8: 8-10Nm (6-7.5lbs/ft)
- M10: 16-18Nm (12-13lbs/ft).

Note for Dealers and Fitters

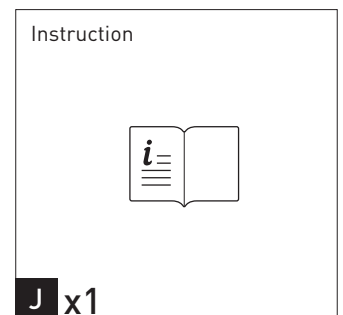
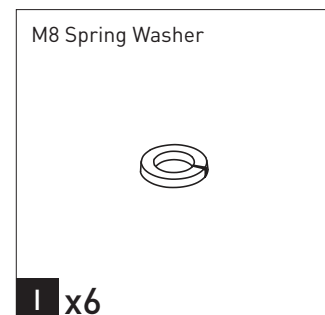
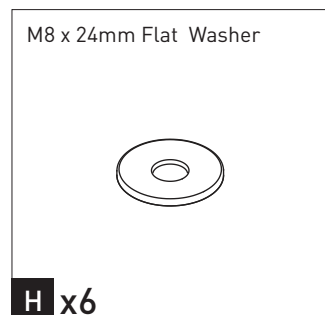
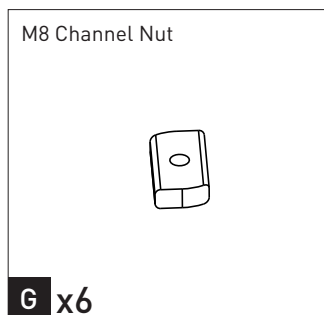
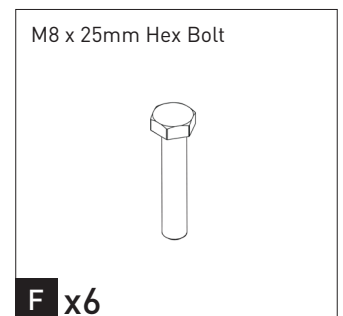
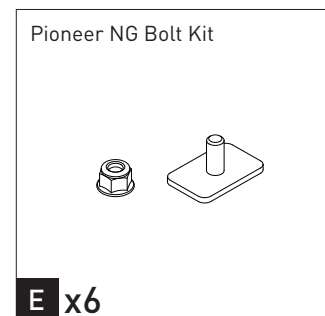
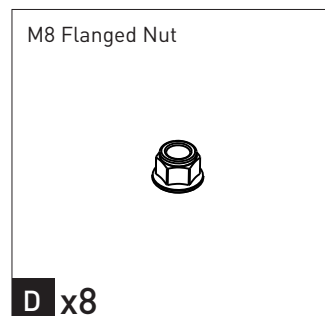
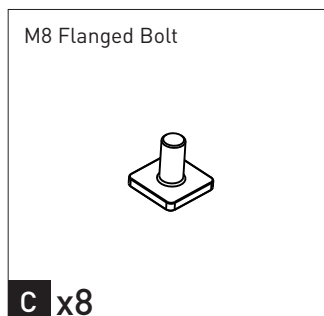
It is your responsibility to ensure these fitting instructions are given to the end user or client. These instructions remain the property of Rhino-Rack Australia Pty. Ltd. and may not be used or changed for any other purpose than intended.

RTHB1 Instructions

Parts List

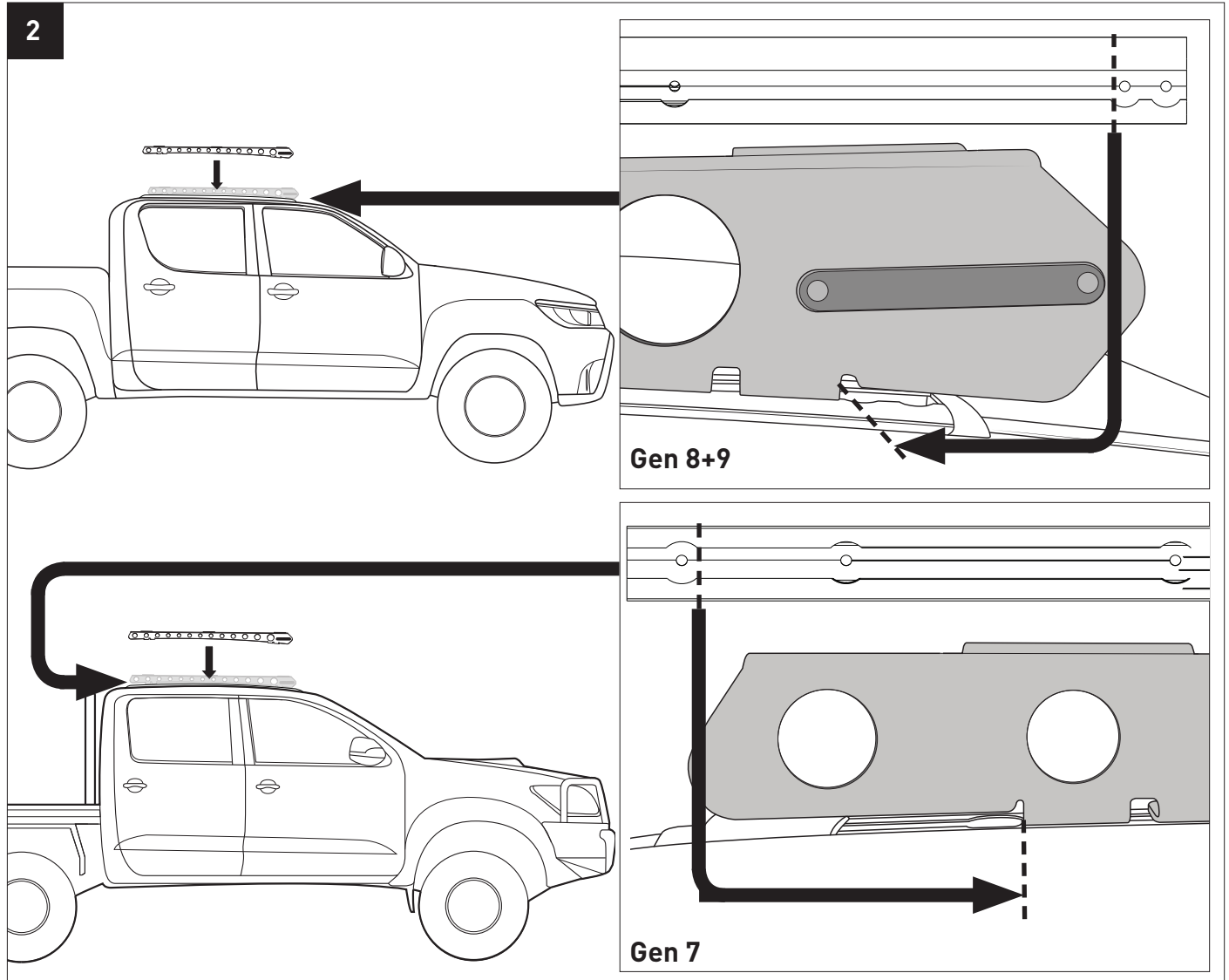
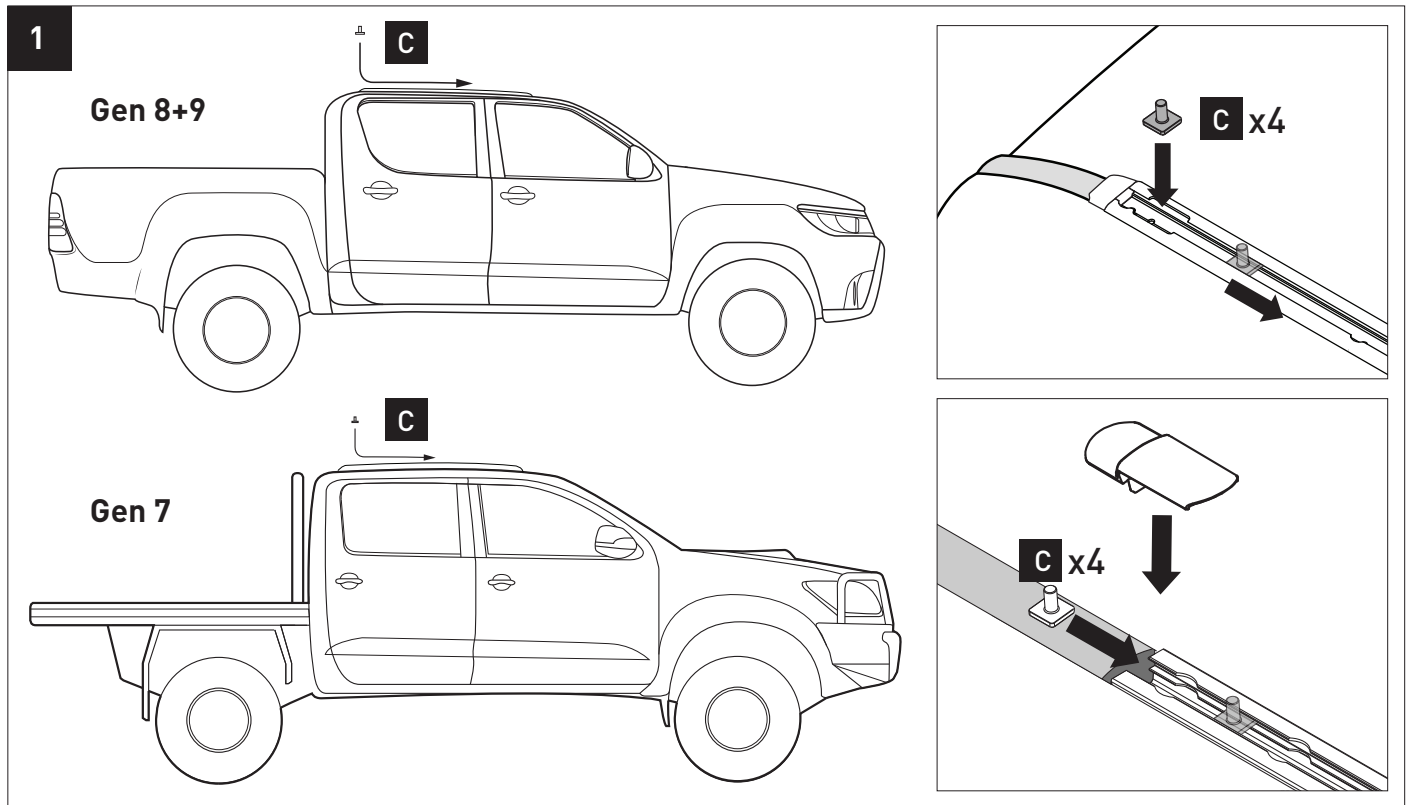


Tools Required:
T1 - 13mm socket wrench

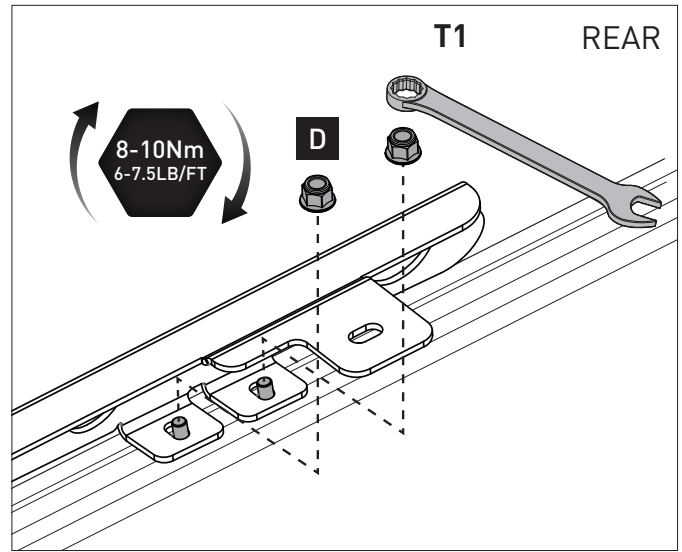
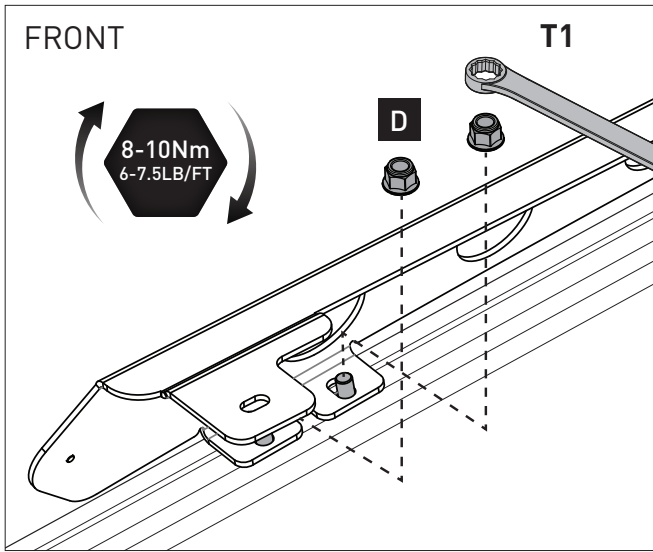


NOTE: Installed track mount kit required to complete fit.

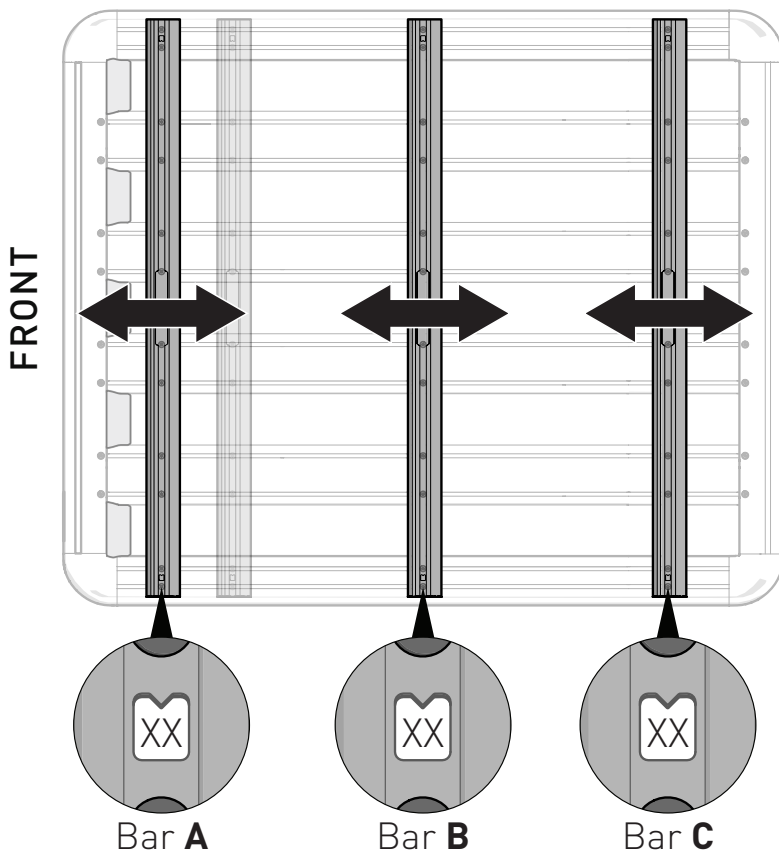




3 Repeat steps **1** - **3** to opposite side of vehicle

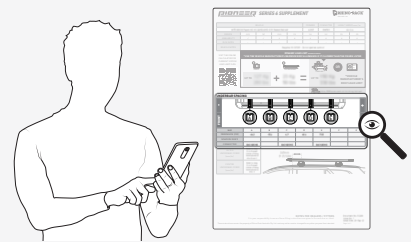


4 PLATFORM INSTALLATION



rhinorack.com/roof

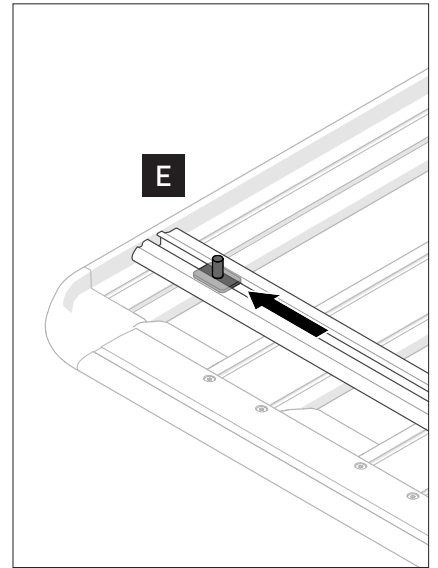
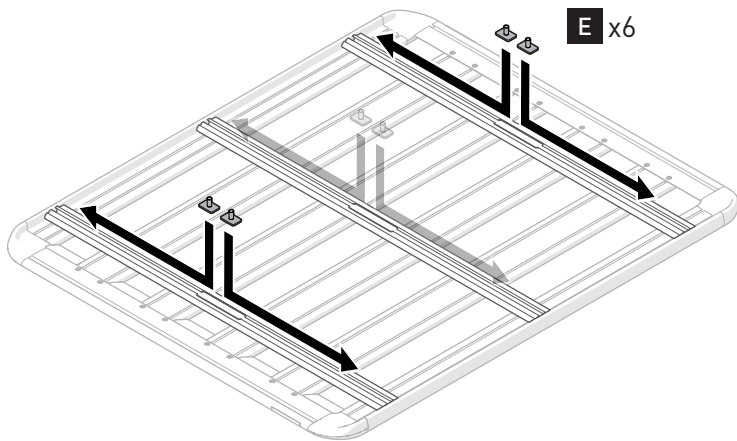
1. Complete **Fit my vehicle** journey
2. Select your **Product Solution**
3. Scroll down to **'Product Details'**
4. Select the **'INSTRUCTIONS'** tab to View the Fitting Chart
5. Space your Underbars to the dimensions provided.



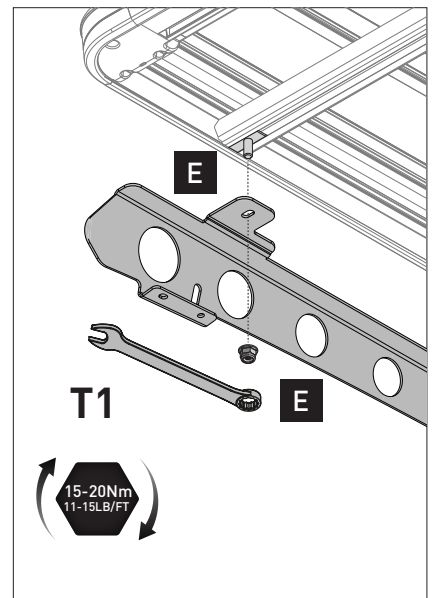
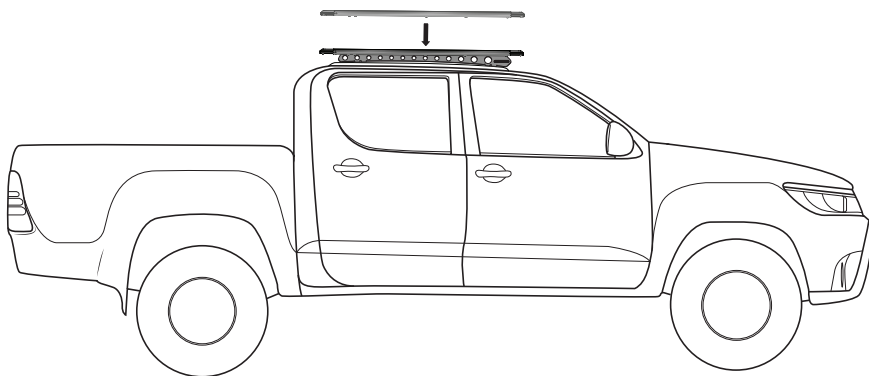
VIEW FIT CHART

NOTE: Refer to your *Vehicle Specific Pioneer Fit Chart* for your underbar position. The number of underbars varies between platforms.

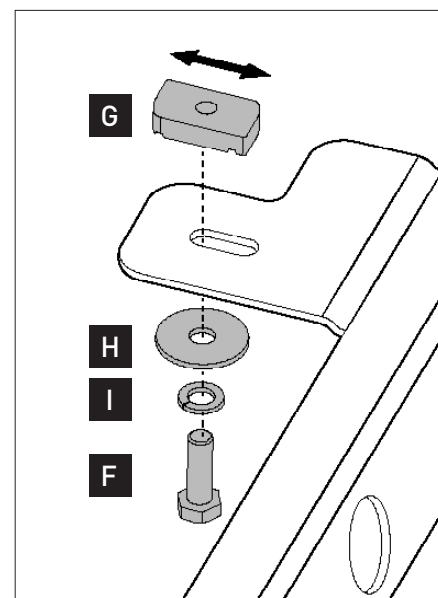
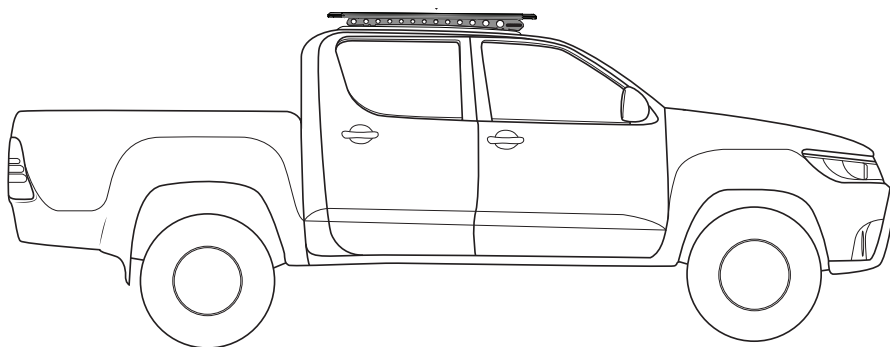
5 For 5XXX and 6XXX Series Platform



6 For 5XXX and 6XXX Series Platform



7 For 4XXX Series Platform



8 For 4XXXX Series Platform

