



RHINO-RACK

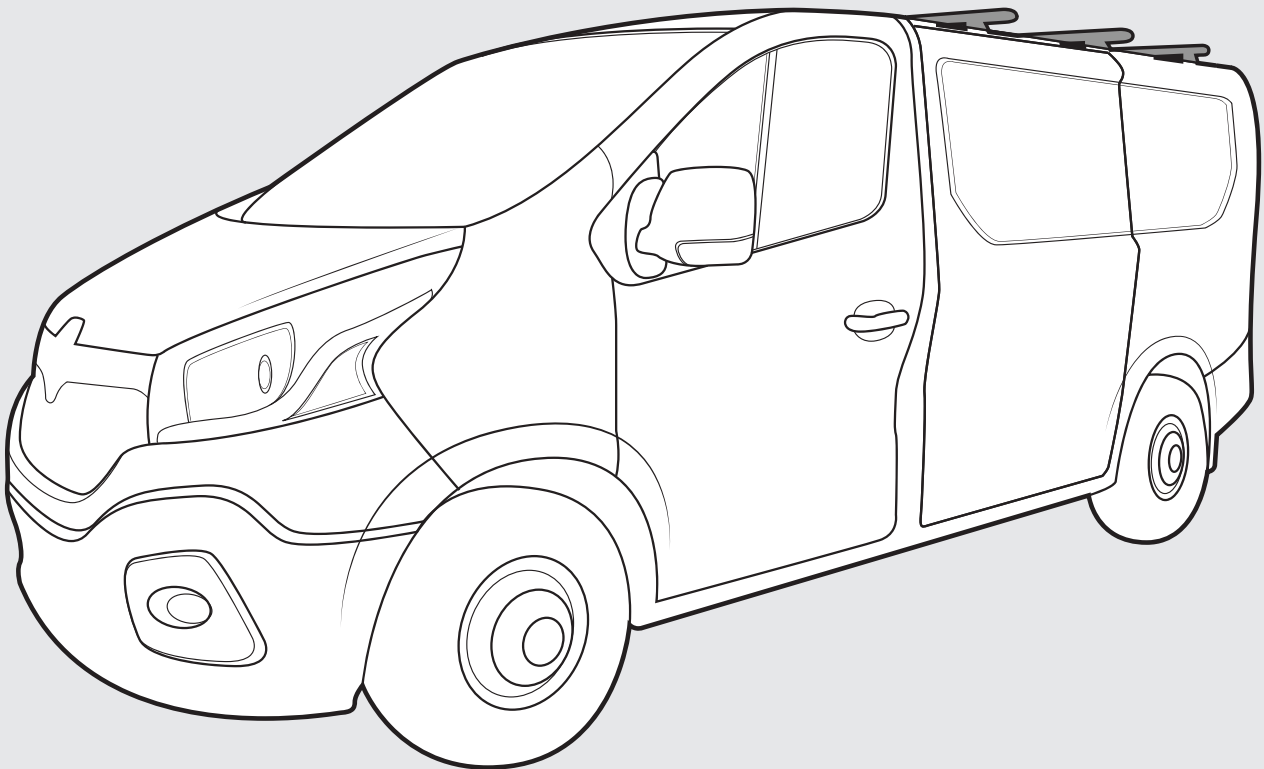
RLT600 Crossbar Fitment

**MITSUBISHI Express, RENAULT Trafic X82,
NISSAN Primastar, VAUXHALL/OPEL Vivaro**

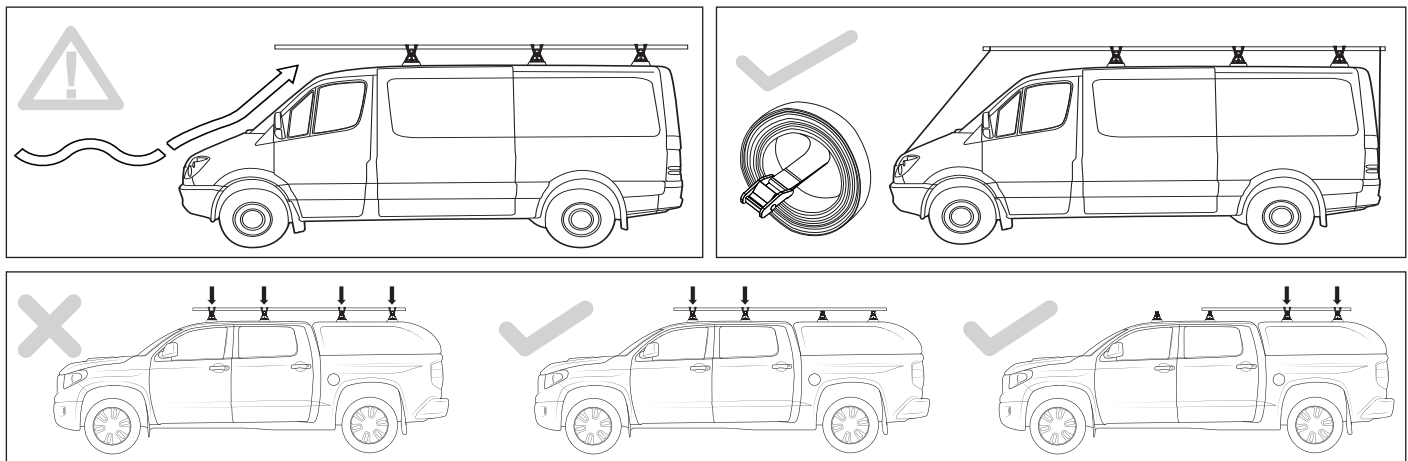
Important:

1. Check the Rhino-Rack website to ensure you have the latest issue of these instructions.
2. Please refer to your fitting instruction to ensure that the roof racks are installed in the correct locations.
3. Check the contents of kit before commencing fitment and report any discrepancies.
4. Place these instructions in the vehicle's glove box after installation is complete.
5. These instructions must be followed for warranty to be upheld.

Fit Time: 45 mins



RLT600 Instructions



ON ROAD CARGO ALLOWANCE (OR)	OFF ROAD CARGO ALLOWANCE (OFR)	VEHICLE ROOF LOAD LIMIT (VLL)	SYSTEM WEIGHT (SW)
$(OR) = (VLL) - (SW)$	$(OFR) = (OR) / 1.5$	100kg / 220lb (CHECK VEHICLE OWNERS HANDBOOK FOR SPECIFIC FIGURE).	2 bar - 5kg / 11lb 3 bar - 7.5kg / 17lb 4 bar - 10kg / 22lb

Carrying Capacity

Check your vehicle owners hand book for vehicle maximum carrying capacity. Please ensure you use the vehicle manufactures maximum roof allowance if it is lower than the figure listed in this instruction. Load must be evenly distributed over the system.

Off Road: Any driven path taken that does not contain a surface protection layer (tar/bitumen).

Vehicle Load Limit: Total permissible weight attached to the roof of the car. This is inclusive of the weight of the roof rack system.

System Load Limit: Total permissible weight allowed on top, and attached to roof racks whilst the vehicle is in motion.

Torque Settings

Unless stated otherwise in these instructions, all fasteners should be set to the following torque settings - M6: 4-5Nm (3-4lbs/ft), M8: 8-10Nm (6-7.5lbs/ft) and M10: 16-18Nm (12-13lbs/ft).

Warning

- Check part number/ or kit is correct for use with your vehicle.
- Do not attempt to fit the rack system to your vehicle unless you fully understand these fitting instructions. Please direct any questions regarding fitting to the dealer from where the roof racks were purchased.
- Although the system is tested and approved to AS1235-2000 / ISO 11154, off-road conditions can be much more rigorous. Extreme care must be taken in off road conditions.
- Roof racks must be removed when vehicle is put through an automatic car wash.
- With utility vehicles, the cabin and the canopy move independently. Roofracks and vehicle can be damaged if the item transported is rigidly fixed at points on both the cabin and canopy. Instead, rigidly fix to either the cabin roofracks or the canopy roofracks.
- Always ensure you fasten your load securely.
- Use only non-stretch fastening ropes or straps to attach cargo to your load.

In service maintenance checks

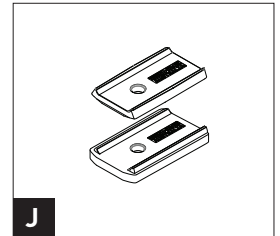
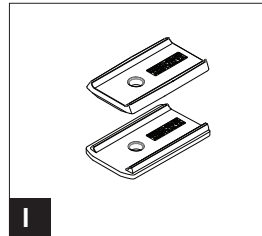
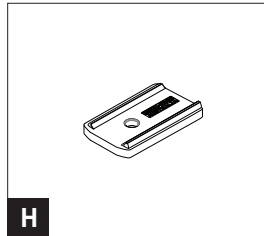
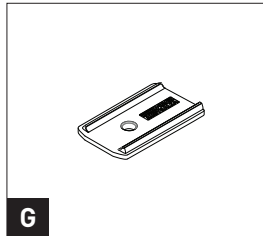
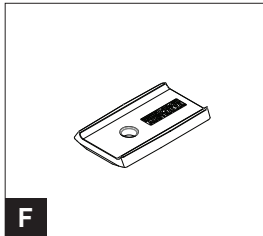
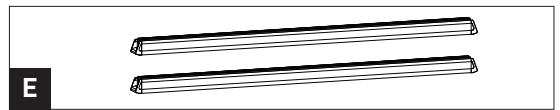
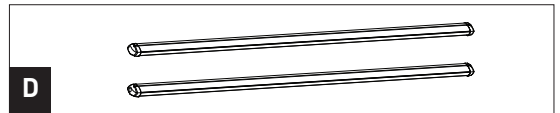
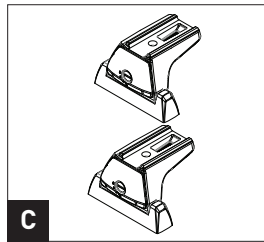
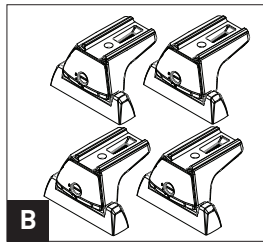
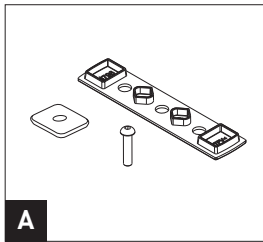
- All bolt connections should be checked after driving a short distance when you first install your roof racks.
- All bolted connections should be checked again at regular intervals (weekly is recommended, depending on road conditions, usage, loads and distances travelled).
- All bolted connections should be checked each time they are re-fitted.

Note for Dealers and Fitters

It is your responsibility to ensure these fitting instructions are given to the end user or client. These instructions remain the property of Rhino-Rack Australia Pty. Ltd. and may not be used or changed for any other purpose than intended.

RLT600 Instructions

Parts List



Tools Required

T1 - Masking Tape

T2 - 21mm 13/16" Socket/Spanner

T3 - Long Nose Vise Grips

T4 - Cleaning Cloth

T5 - Cold Galvanising Paint

T6 - Cotton Buds

T7 - T30 Torx Key

T8 - Tape Measure

T9 - 5mm Security Torque Key

Incl. in **B C**

Item	Vortex Crossbars	SWB Low Roof			LWB Low Roof			Part No.
		Qty 2 Bar	Qty 3 Bar	Qty 4 Bar	Qty 2 Bar	Qty 3 Bar	Qty 4 Bar	
A	Quick Mount Fit Kit	2	3	4	2	3	4	QMFK04
B	Leg Kit	1	1	2	1	1	2	RLT600
C	Leg Kit Half	-	1	-	-	1	-	RLT600H
D	Vortex Crossbars	2	3	4	2	3	4	VA165B or VA165S
G	Quick Mount 5mm VA Spacer	-	-	1	-	1	1	QMVA05
H	Quick Mount 10mm VA Spacer	-	-	1	-	-	-	QMVA10
K	Fitting Instruction	1			1			R758
Item	Heavy Duty Crossbars	Qty 2 Bar	Qty 3 Bar	Qty 4 Bar	Qty 2 Bar	Qty 3 Bar	Qty 4 Bar	Part No.
A	Quick Mount Fit Kit	2	3	4	2	3	4	QMFK04
B	Leg Kit	1	1	2	1	1	2	RLT600
C	Leg Kit Half	-	1	-	-	1	-	RLT600H
E	Heavy Duty Bars	2	3	4	2	3	4	RB1650B or RB1650S
F	Quick Mount HD 5mm Spacer	2	3	2	2	2	3	QMHD05
I	Quick Mount HD 10mm Spacer	-	-	1	-	1	1	QMHD10
J	Quick Mount HD 15mm Spacer	-	-	1	-	-	-	QMHD15
K	Fitting Instruction	1			1			R758

Note:

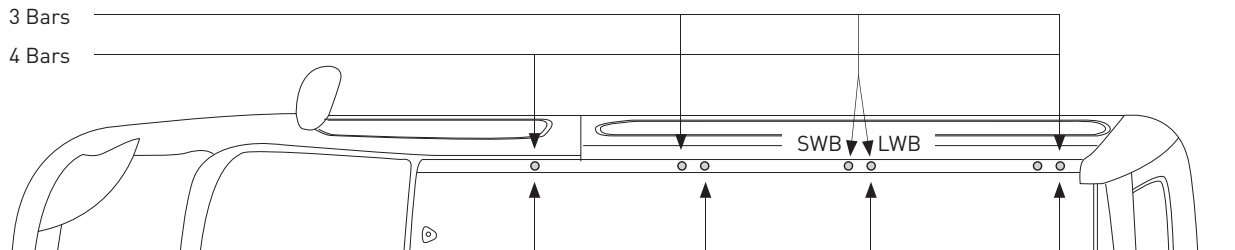
All kits are sold as separate.

Ensure you have the required kits to complete your fitment.

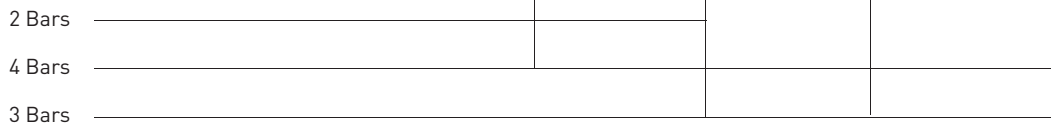
RLT600 Instructions

1 Determine which plugs to remove on your vehicle

RENAULT Trafic X82 (SWB/LWB)
NISSAN Primastar (SWB/LWB)
VAUXHALL/OPEL Vivaro (SWB/LWB)



MITSUBISHI EXPRESS (SWB/LWB)

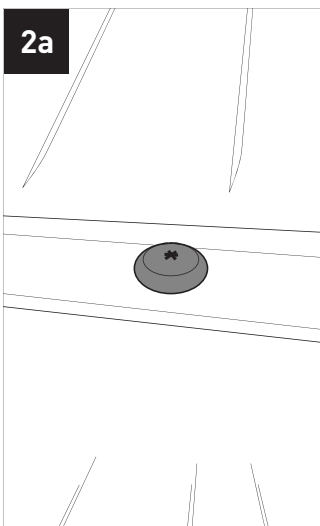


2 **Round Head Screws**

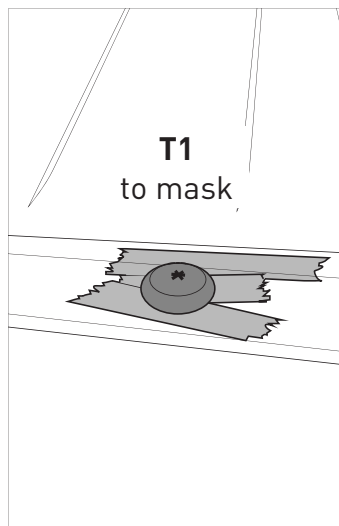
Move to Step 3a

Hex Plugs Move to Step 3b

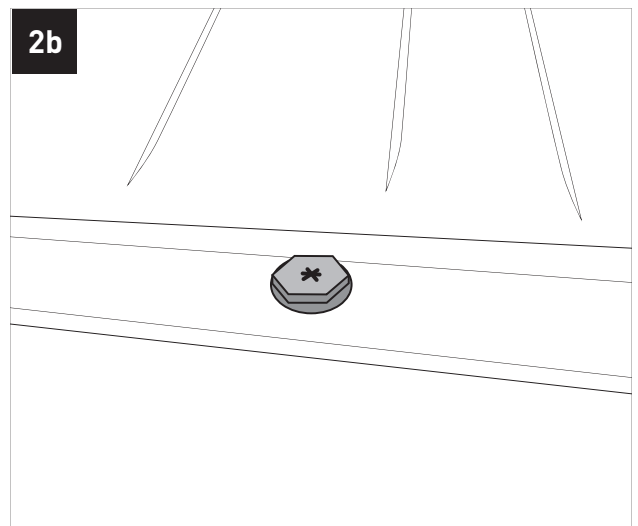
2a



T1
to mask



2b

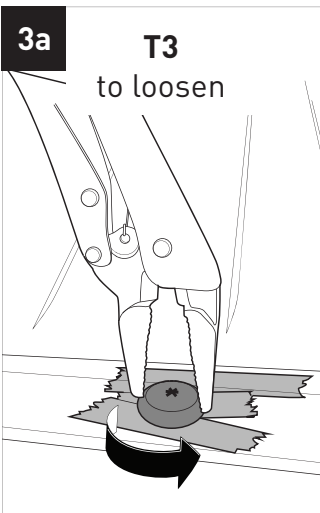


3 **Round Head Screws**

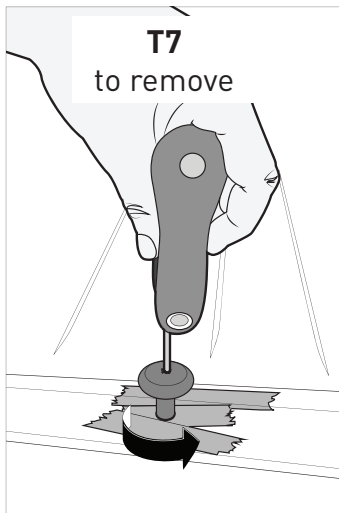
Hex Plugs

3a

T3
to loosen

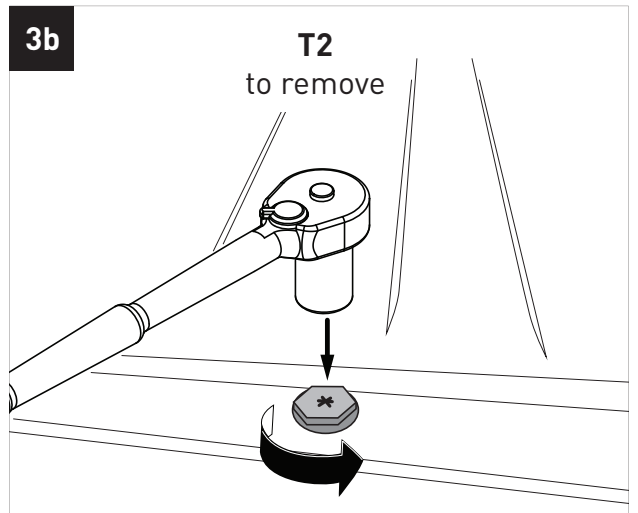


T7
to remove



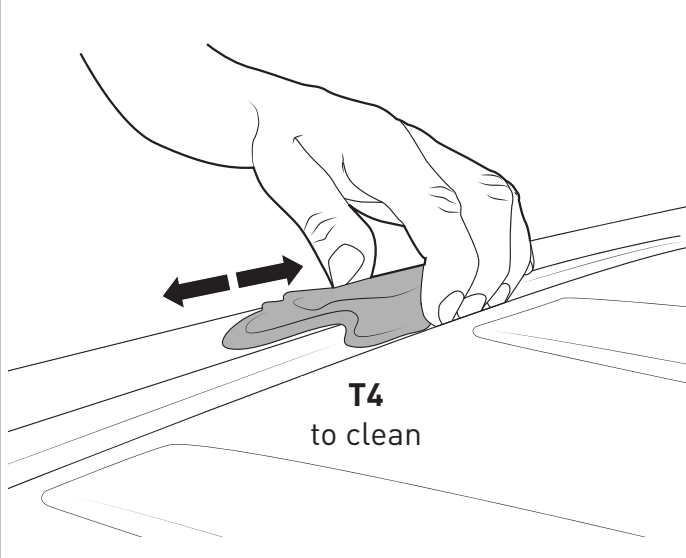
3b

T2
to remove

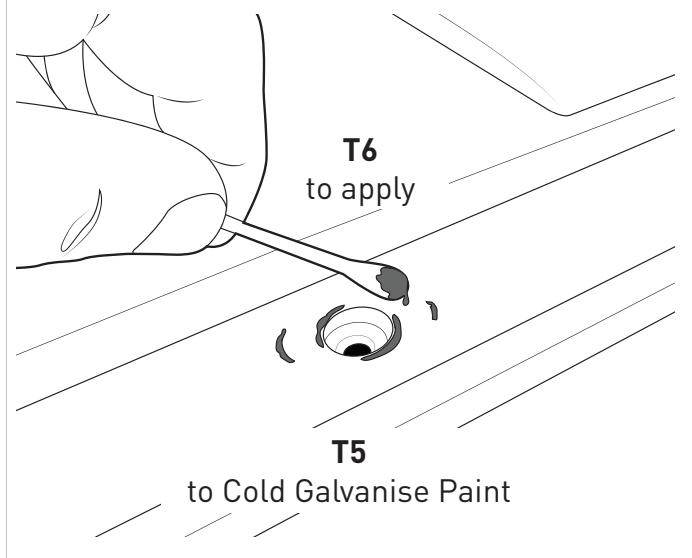


RLT600 Instructions

4 Remove masking tape (Step 2a only). Clean all dirt and debris out of roof ditch to enable a seal with the Butyl Patch.



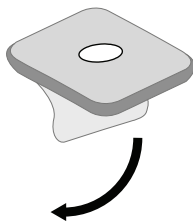
5 Apply to any surface scratches caused by removing Roof Plugs.



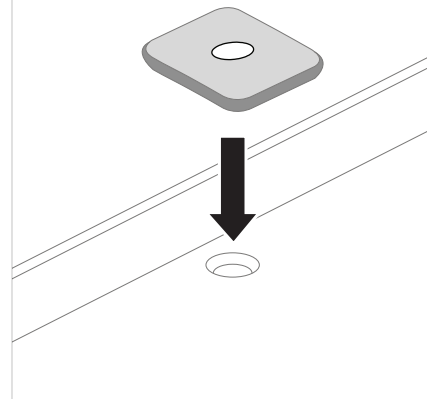
6 Apply to ALL exposed threads.

6a

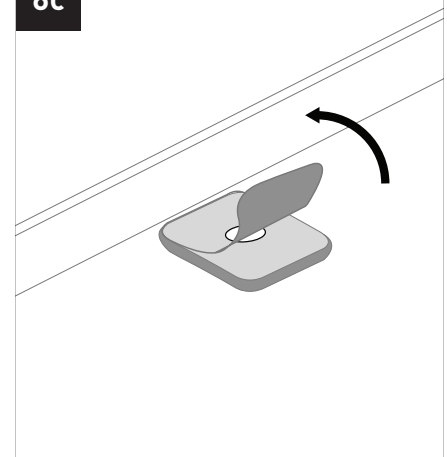
Butyl Patch from kit **A**



6b

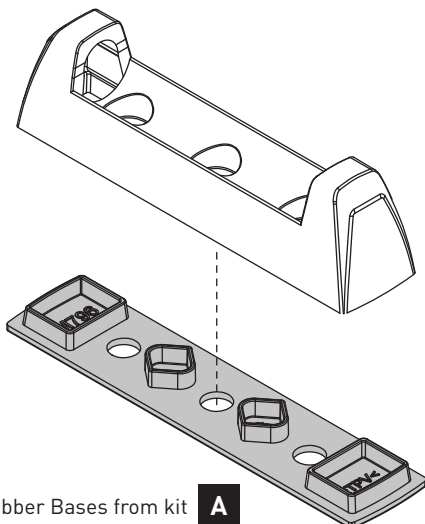


6c



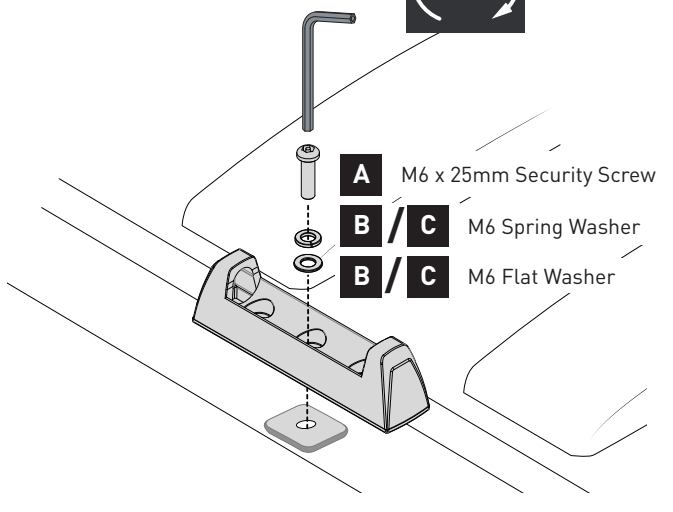
7

Quick Mount Bases from kit **B C**

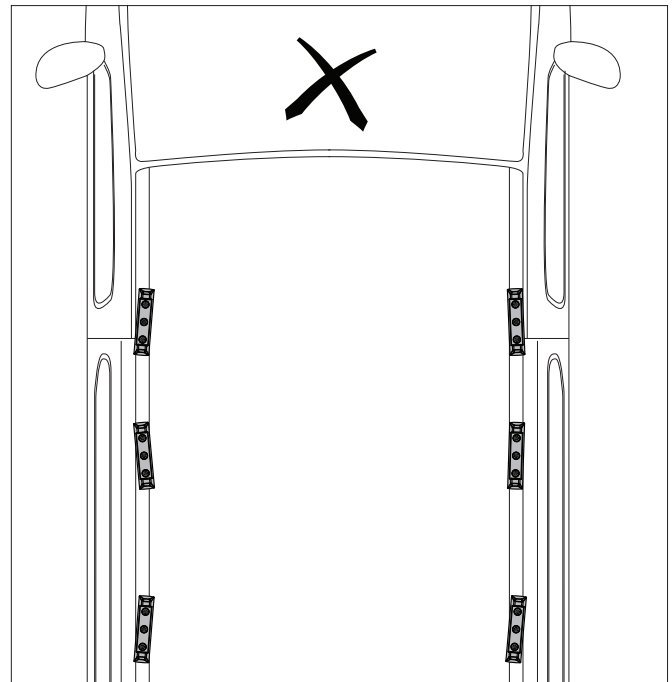
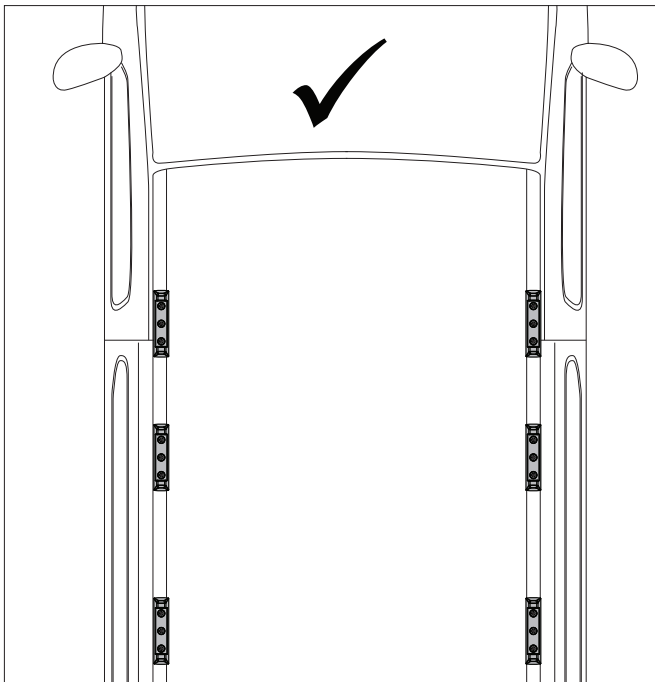


8

T9
to tighten



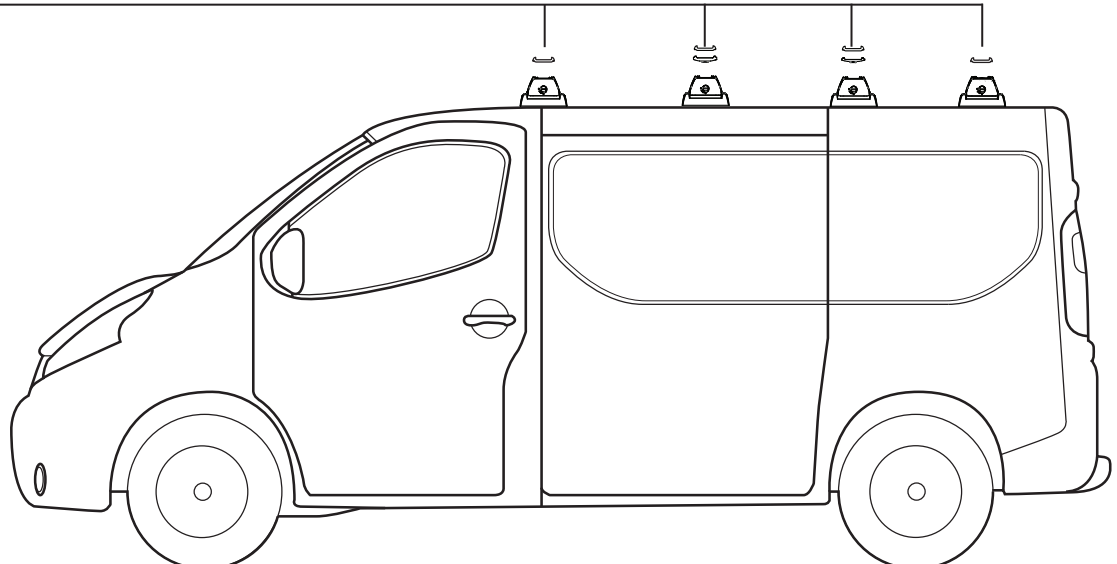
9



10a

SWB Low Roof Van Spacers

3 Vortex Crossbars		N/A	N/A	N/A
4 Vortex Crossbars				
Mitsubishi Express	N/A	N/A	N/A	N/A
All other vehicles	N/A	QMVA10	QMVA05	N/A
3 Heavy Duty Crossbars		QMHD05	QMHD05	QMHD05
4 Heavy Duty Crossbars				
Mitsubishi Express	QMHD05	QMHD05	QMHD05	QMHD05
All other vehicles	QMHD05	QMHD15	QMHD10	QMHD05



10b

LWB Low Roof Van Spacers

3 Vortex Crossbar

Mitsubishi Express		N/A	N/A	N/A
All other vehicles		QMVA05	N/A	N/A

4 Vortex Crossbars

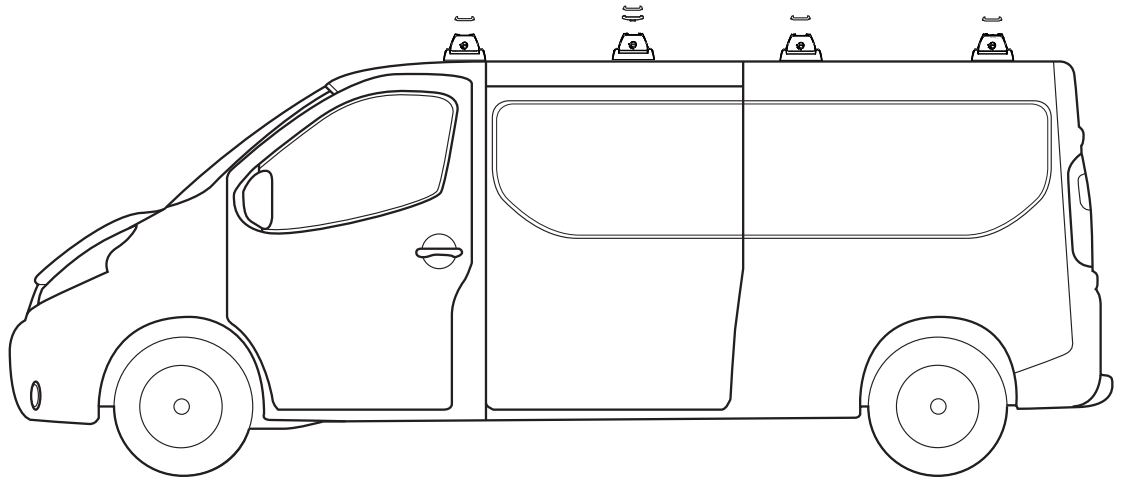
Mitsubishi Express	N/A	N/A	N/A	N/A
All other vehicles	N/A	QMVA05	N/A	N/A

3 Heavy Duty Crossbars

Mitsubishi Express		QMHD05	QMHD05	QMHD05
All other vehicles		QMHD10	QMHD05	QMHD05

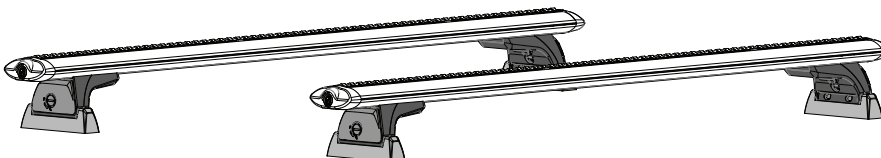
4 Heavy Duty Crossbars

Mitsubishi Express	QMHD05	QMHD05	QMHD05	QMHD05
All other vehicles	QMHD05	QMHD10	QMHD05	QMHD05




11

Fit RLT600 Legs as per instructions. Check all fixtures are secure before use.



Example

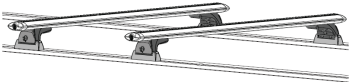


RHINO-RACK

Quick Mount Track Legs RLT600

Important:

- 1 Please refer to your fitting instruction to ensure that the roof racks are installed in the correct locations.
- 2 Check the contents of fit before commencing fitting and report any discrepancies.
- 3 Place these instructions in the vehicle glove box after installation is complete.
- 4 These instructions must not be used for warranty to be valid.



Important Information

Load ratings:
Maximum permissible load for system is up to 50kg per pair of crossbars. When crossbars are to be used in off-road conditions, please build a safety factor of 1.5 into the load limit. Although the crossbars are tested and approved to AS1726-2006, of road conditions can be much more rigorous. However, increasing the number of crossbars does not increase the vehicles maximum permissible roof loading.

Please refer to your vehicle manufacturers handbook for the maximum roof loading allowable for your make and model vehicle. Always use the lower of the two figures.

On Road Cargo Allowance	Off Road Cargo Allowance	Roof Allowance	Wet Weight
50kg / 110lbs	50kg / 110lbs	100kg / 220lbs	5kg / 11lbs

It is essential that all bolt connections be checked after driving a short distance when you first install your crossbars. Bolt connections should be checked again at regular intervals, probably once a week. However, depending on road conditions, usage, loads and distances travelled. You should also check the crossbars each time they are used.

Make sure to follow the load capacity limits at all times. Ensure all items are evenly distributed and centre of gravity is kept as low as possible. Use only non-stretch fastening ropes or straps. Clean roof prior to installation.

Caution: The handling characteristics of the vehicle changes when you transport a load on the roof. For safety reasons we recommend you exercise extreme care when transporting non-secured loads. Special consideration must be taken into account when cornering and braking.

Please remove crossbars when putting vehicle through an automatic car wash.

Please remove battery awning and crossbars when using an automatic car wash.

Warranty for Crossbars and T-Rails:
If it is your responsibility to ensure these fitting instructions are given to the end user of client.

Rhino-Rack, 21 Rosslyn Pl, Epsom Creek
NSW 2122 Australia
02 9491 1000
rhino@rhino-rack.com.au

Document No. 4014
Approved By: GJ
Issue No.: 02
©2014