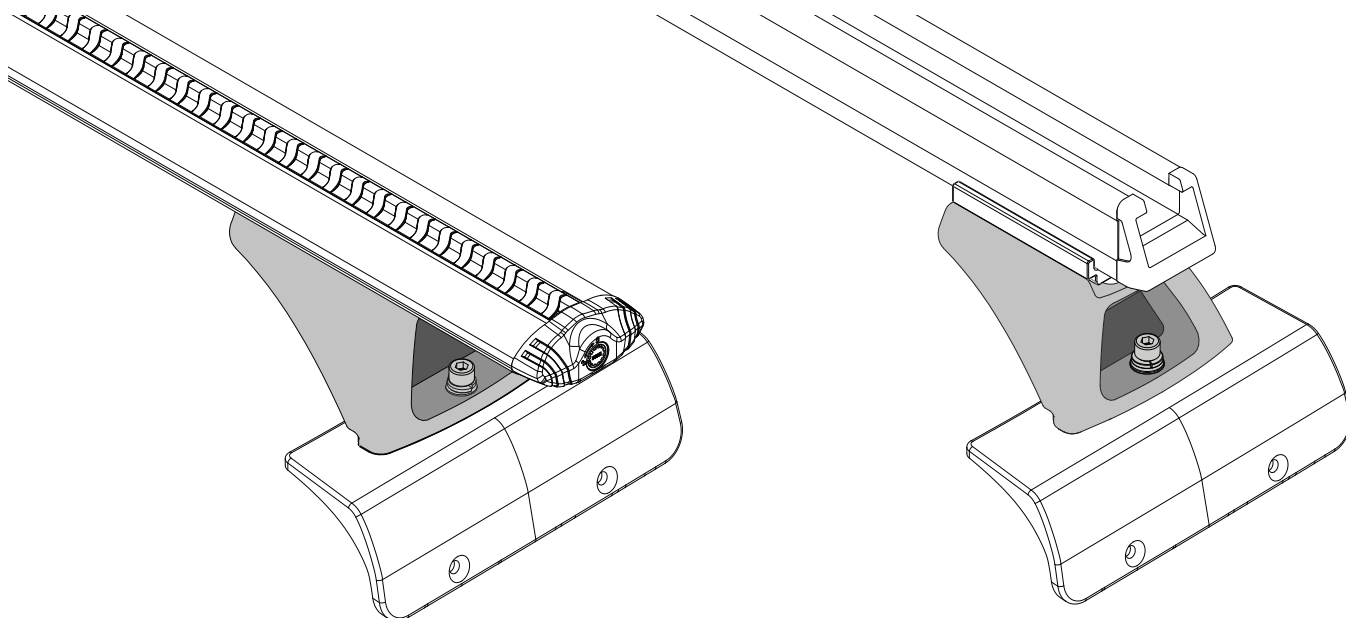




RHINO-RACK

RLCP30 Leg Kit - To be used on Jeep Backbone RJB1&2



Important Information

Max: 120kg (264lbs) - Three Crossbars. Max: 100 (220lbs) - Two Crossbars. Time: 30 mins.

Read through instructions before installation. If you are unsure or have any questions, refer to the dealer or place of purchase.

Recommendations:

It is essential that all bolt connections be checked after driving a short distance when you first install your crossbars. Bolt connections should be checked again at regular intervals (once a week is enough, depending on road conditions, usage, loads and distances travelled). You should also check the crossbars each time they are refitted. Make sure to fasten your load securely. Please ensure that all loads are evenly distributed and that the centre of gravity is kept as low as possible. Use non stretch ropes.

Please remove crossbars when putting vehicle through an automatic car wash.

Load Ratings:

Maximum permissible load is 120kg (264lbs) for three crossbars including the weight of the crossbars, 7.5kg (16lbs) for three bars and 5kg (11lbs) for two bars. When crossbars are to be used in off-road conditions, please build a safety factor of 1.5 into this load limit for off-road use, three crossbars = **80kg (176lbs)** and two crossbars = **66kg (145lbs)**. Although the crossbars are tested and approved to AS1235-2000, Off road conditions can be much more rigorous. However, increasing the number of crossbars does not increase the vehicles maximum permissible roof loading.

Note for Dealers and Fitters: This is a two person installation. The removal of the hard top requires assistance. It is your responsibility to ensure instructions are given to the end user or client.

Rhino-Rack
3 Pike Street, Rydalmere,
NSW 2116, Australia.
(Ph) (02) 9638 4744
(Fax) (02) 9638 4822

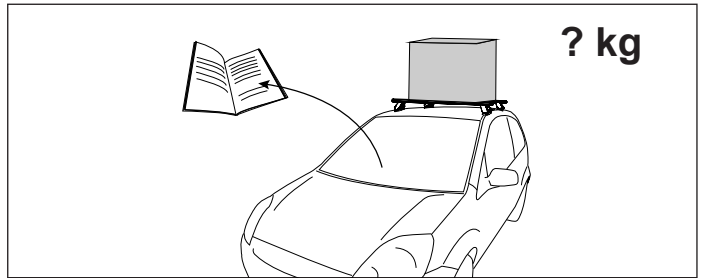
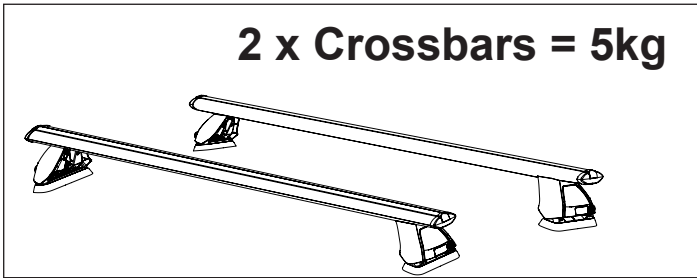
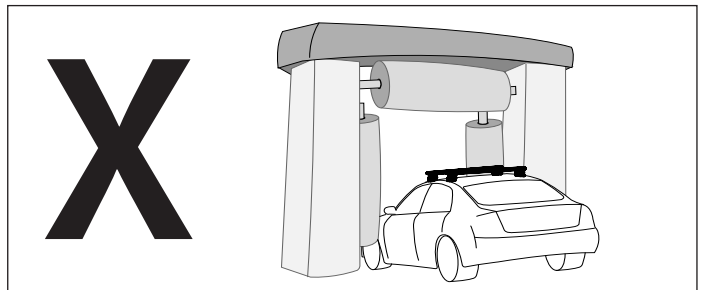
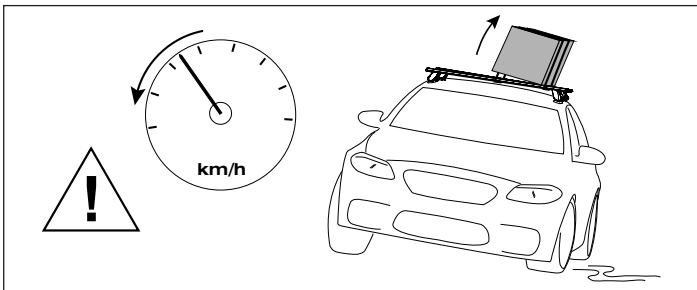
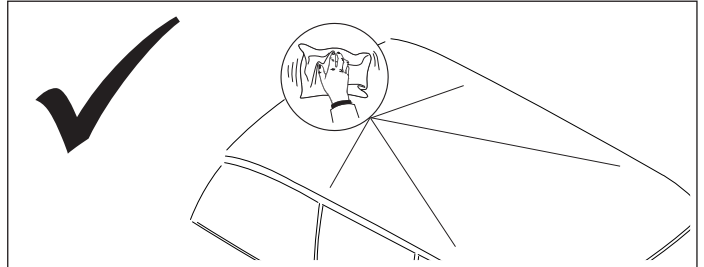
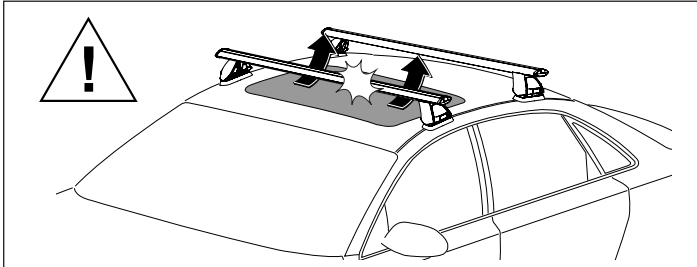
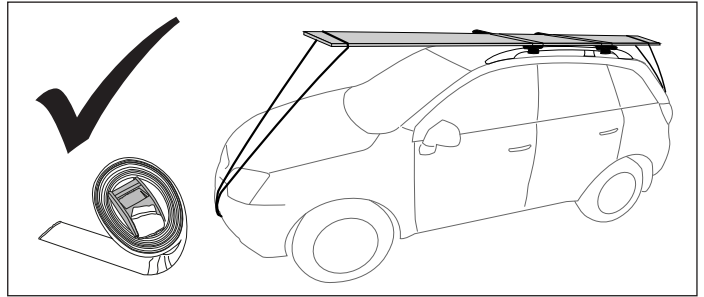
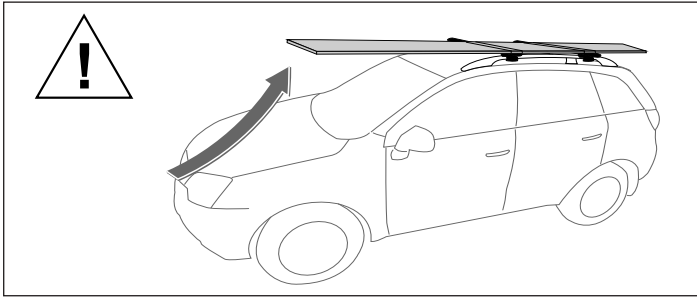
Document No: R439
Prepared By: Kayle Everett
Authorised By: Chris Murty

Issue No: 02
Issue Date: 01/07/2014

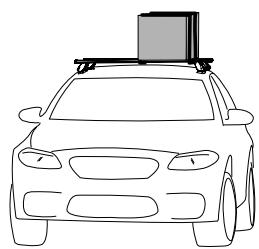
These instructions remain the property of Rhino-Rack Australia Pty. Ltd. and may not be used or changed for any other purpose than intended.



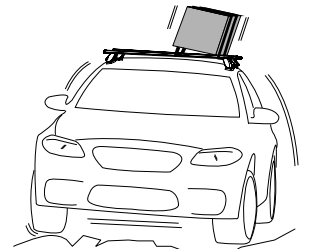
RLCP30



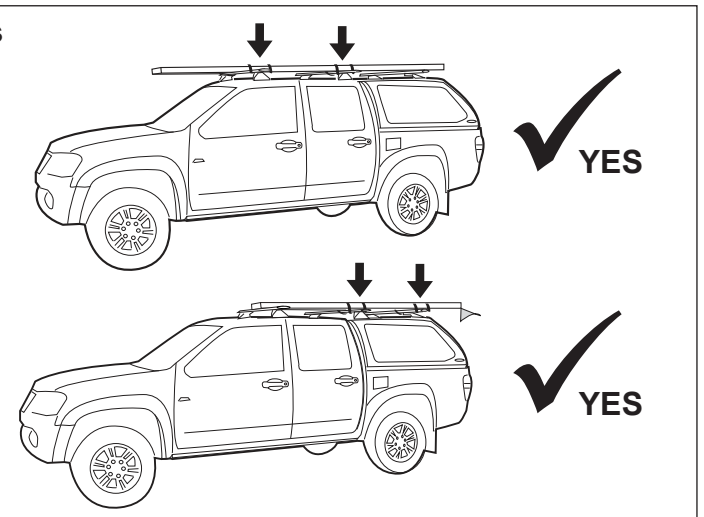
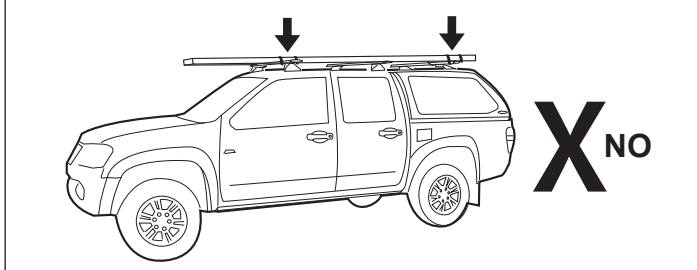
When these roof racks are to be used on a vehicle that is driven off sealed roads the maximum load rating must be divided by 1.5. Remember to subtract the weight of the roof racks to determine your maximum permissible load capacity.



3 bars 120kg (264lbs)	=	3 bars 80 kg (176lbs)
2 bars 100kg (220lbs) load rating (Urban road)		2 bars 66kg (145lbs) load rating (Off road)
Load rating not taking into account crossbar weight - 5kg		



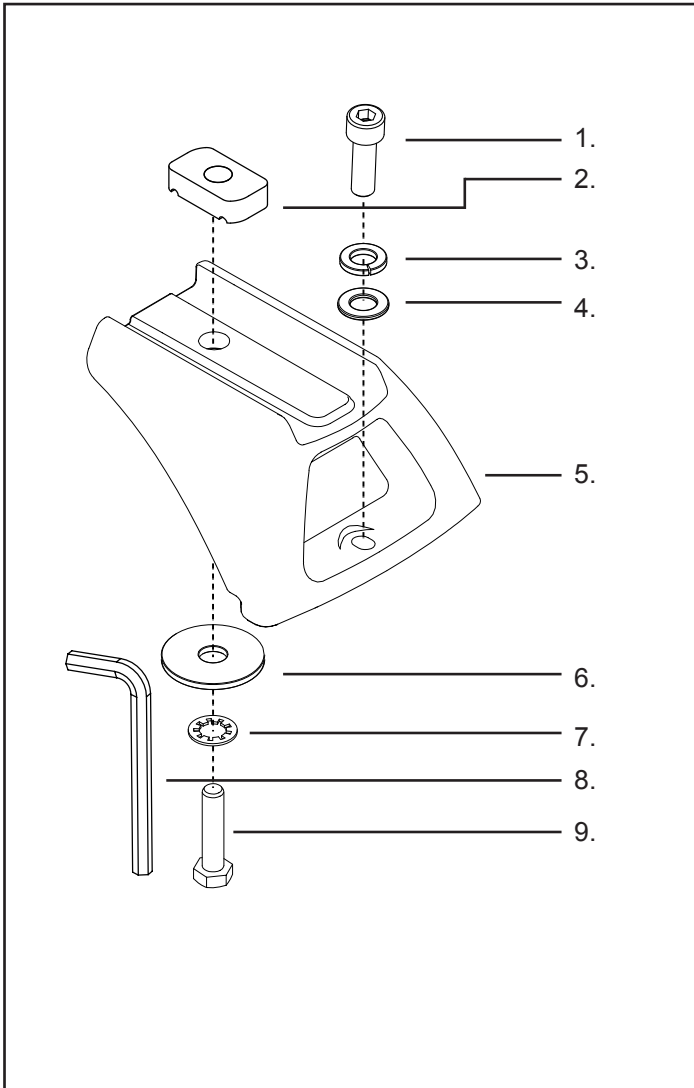
WARNING! Important Load Carrying Instructions
With utility vehicles, the cabin and the canopy move independently. Roof racks and vehicle can be damaged if the item transported is rigidly fixed at points on both the cabin and canopy. Instead, rigidly fix to either the cabin roof racks or the canopy roof racks.





RLCP30

Parts List



Parts List			
1	M6x20 Socket HD Capscrew	2	B054
2	M10 Channel Nut	2	N024
3	M6x12.5mm Flat Washer	2	W003
4	M6 Spring Washer	2	W004
5	RCP Legs	2	M724
6	M10x38x2.5 Flat Washer	2	W022
7	M10 Internal S/Proof Washer	2	W021
8	5MM Security Key	1	H021
9	M10x25 Hex Setscrew	2	B071
10	Instructions	1	R439

Note:

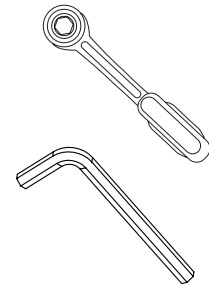
The following instructions provide information relating to the RLCP30 fitting various kits.

These kits are sold separately and as such may require additional fit kits to complete the pictured setups.

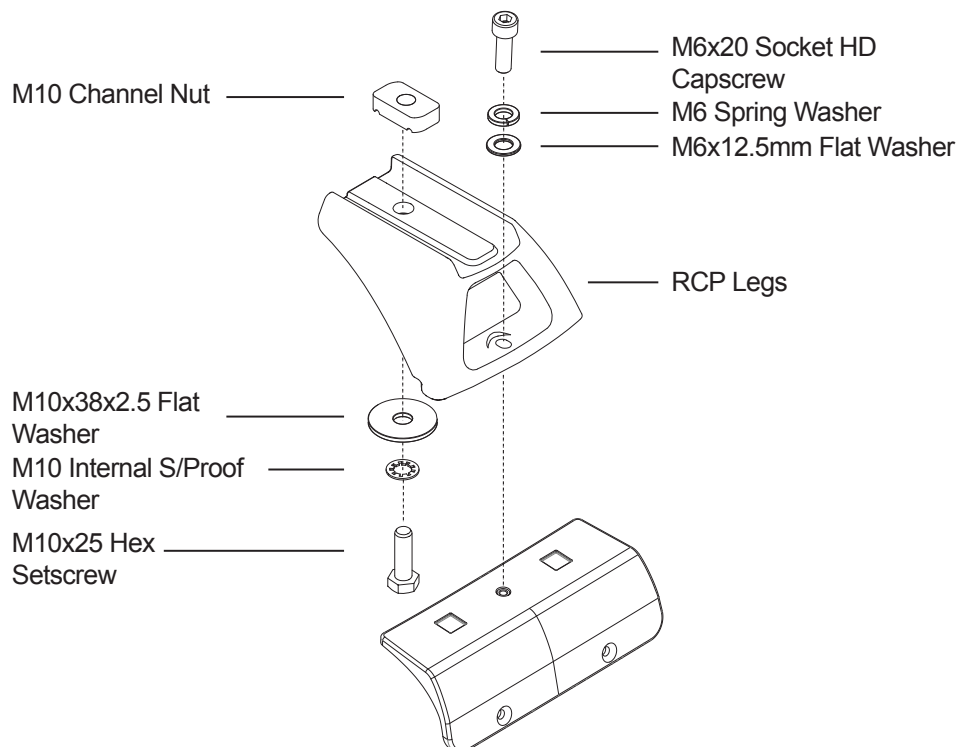
Tools Required:

13mm Socket Wrench

5mm Allen Key (provided)



1 Using the M6 Capscrew, M6 Spring and Flat Washers, fix RCP Legs to the Back Bone. With the allen key provided tighten legs in place to 3-4Nm. Slide the M10 Hex Screw through the M10 Shake Proof and Flat Washers. Fix the M10 Channel Nut in place with this hardware.

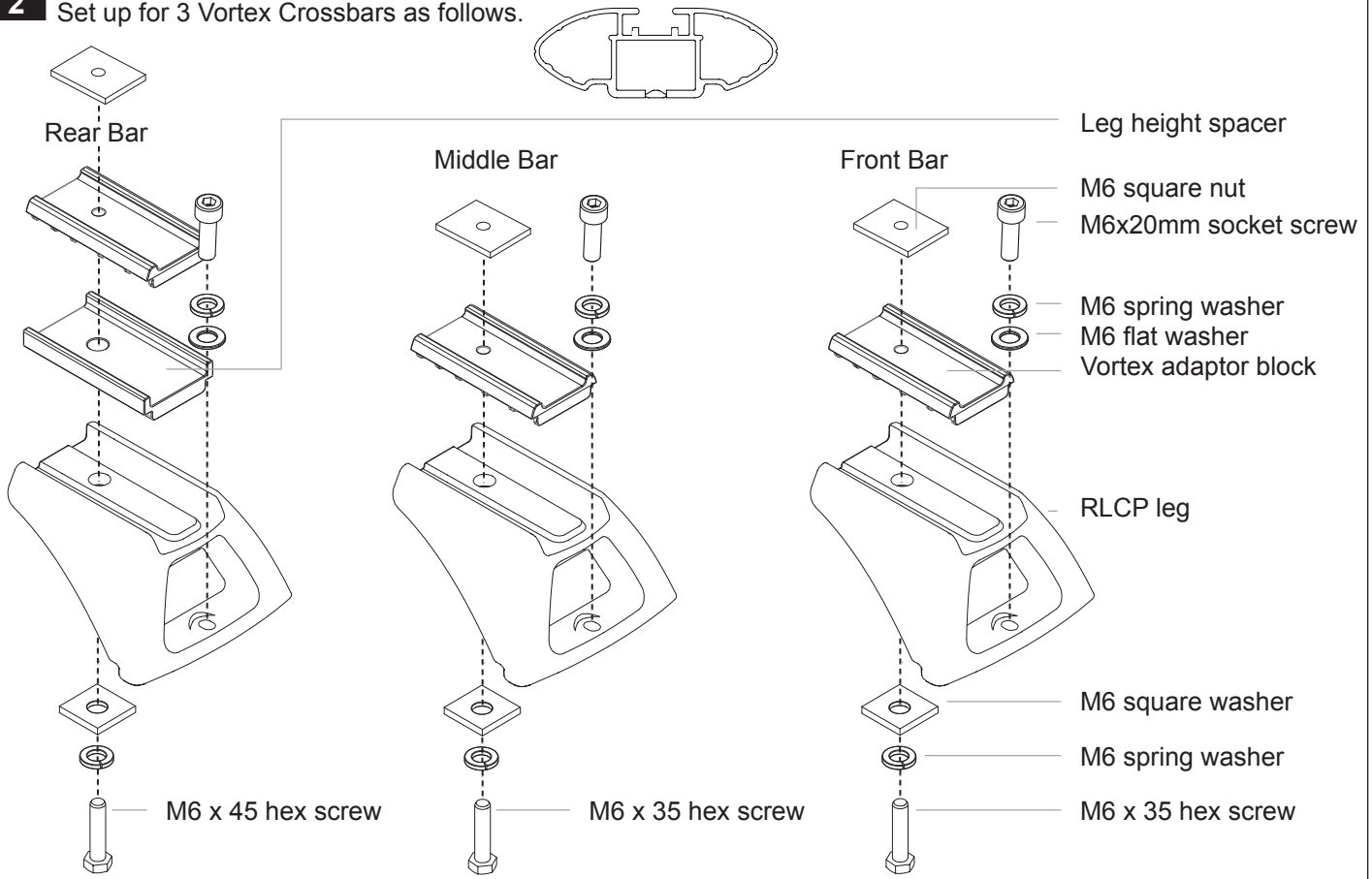




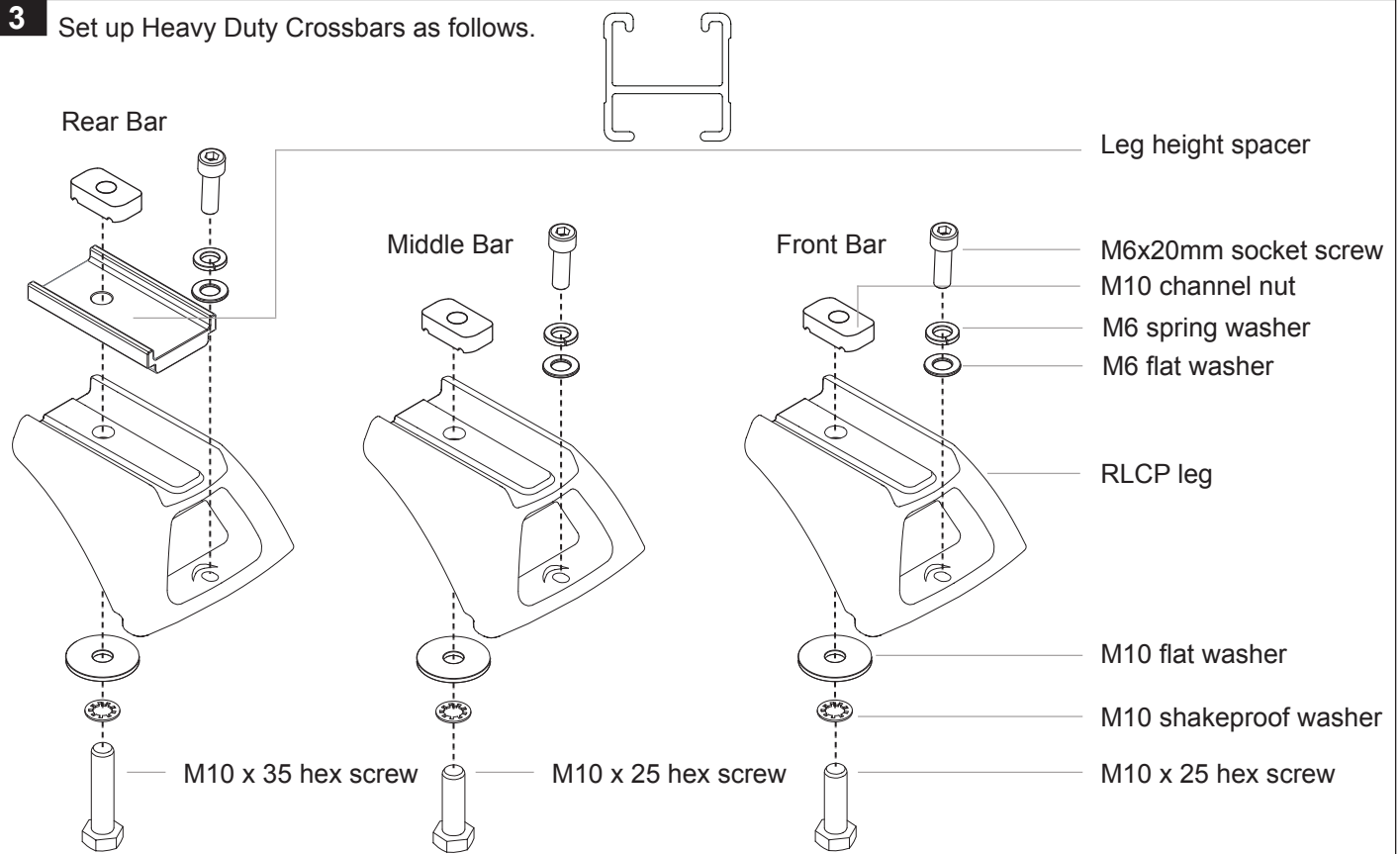
RLCP30

Note: Crossbars must be purchased separately. The following steps show crossbar assembly.

2 Set up for 3 Vortex Crossbars as follows.



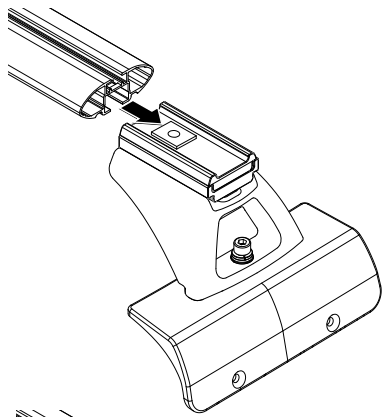
3 Set up Heavy Duty Crossbars as follows.



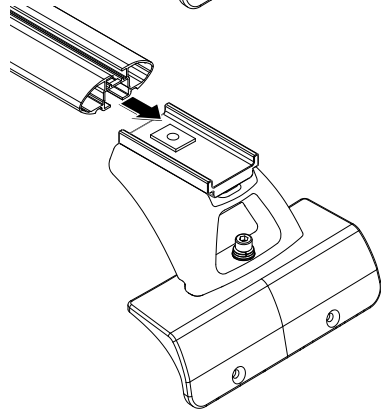


RLCP30

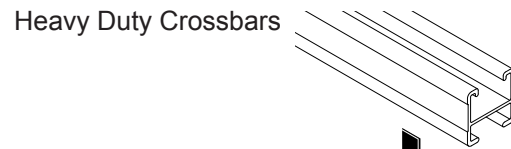
4 Attach Vortex Crossbars



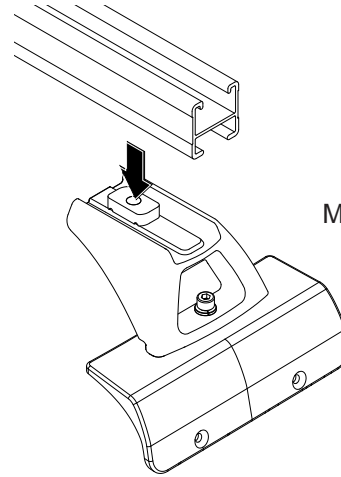
Front Bar



Middle and Rear Bar

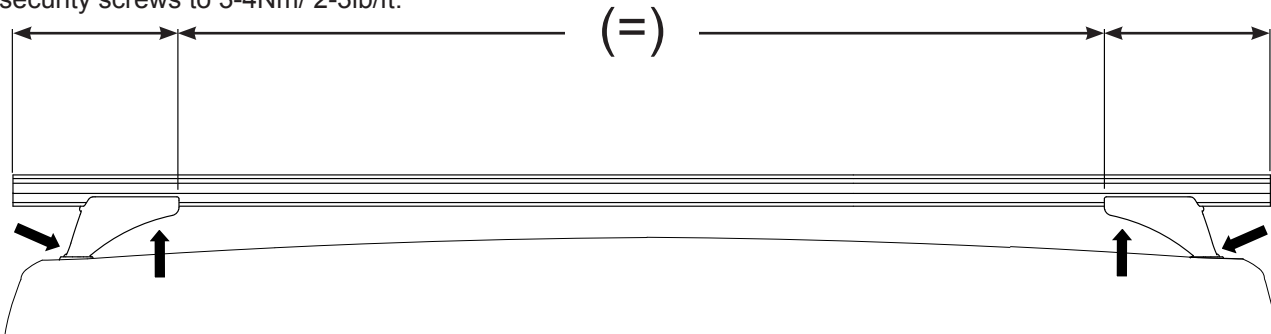


Front Bar

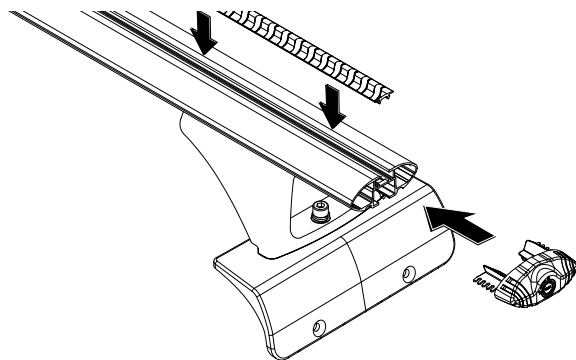


Middle and Rear Bar

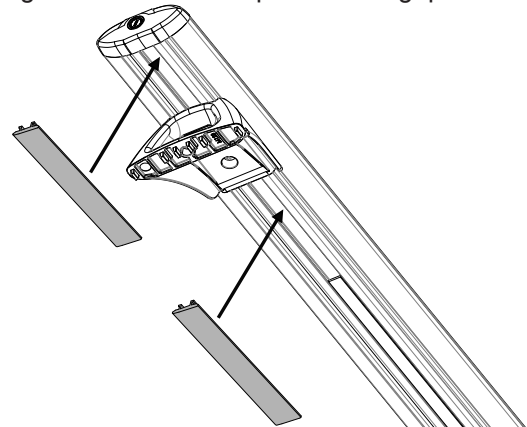
5 Adjust crossbar overhang to be equal on both sides. Tighten M6 crossbar bolts to 3-4Nm/ 2-3lb/ft. Tighten M6 security screws to 3-4Nm/ 2-3lb/ft.



6 Insert vortex rubber and end caps into all crossbars.



7 Measure the under bar slot length each side of the leg. Cut under bar strips to fill the gaps.



Note: RE-CHECK ALL FASTENERS ARE SECURE.

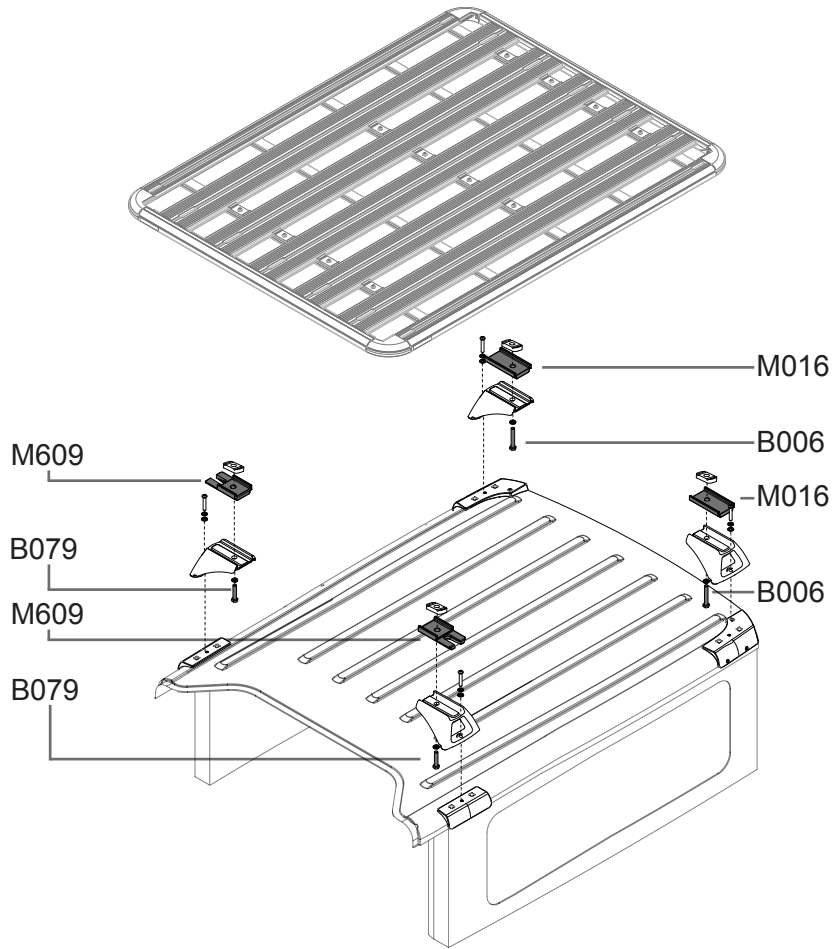


RLCP30

Pioneer Tray Fit - Jeep JK Wrangler

2Dr Wrangler

Note: Pioneer 2Dr Fit Kit as separate.



4Dr Wrangler

Note: Pioneer 4Dr Fit Kit as separate.

