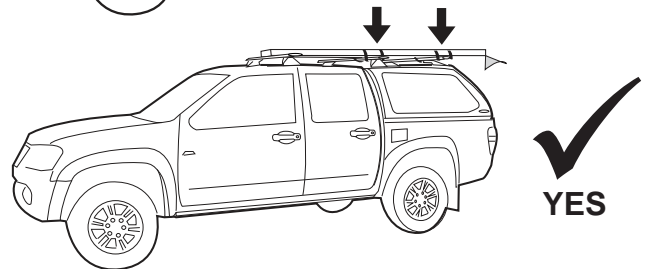
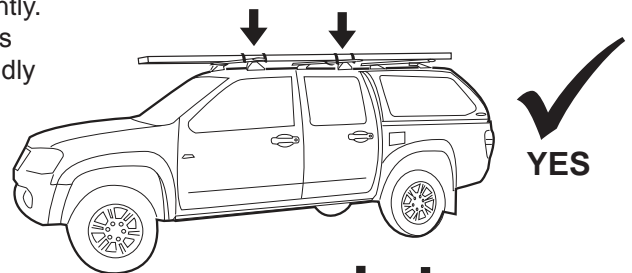
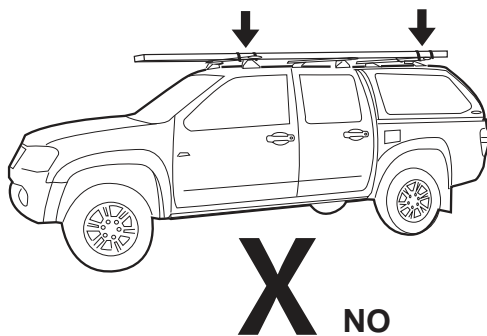


## WARNING! Important Load Carrying Instructions

With utility vehicles, the cabin and the canopy move independently. Roof racks and vehicle can be damaged if the item transported is rigidly fixed at points on both the cabin and canopy. Instead, rigidly fix to either the cabin roof racks or the canopy roof racks.

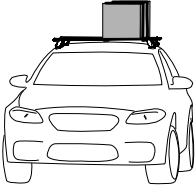
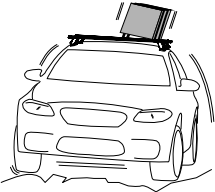


- Please refer to your vehicle manufacturers handbook for maximum roof load capacity.
- Any load transported on Roof Racks must be evenly distributed.
- Instructions are to remain with the vehicle.
- Do not attempt to fit the roof racks to your vehicle unless you fully read and understand the fitting instructions provided.
- Please direct any questions to the dealer from where the roof racks were purchased.
- Check the contents of this kit before commencing fitment and report any discrepancies.



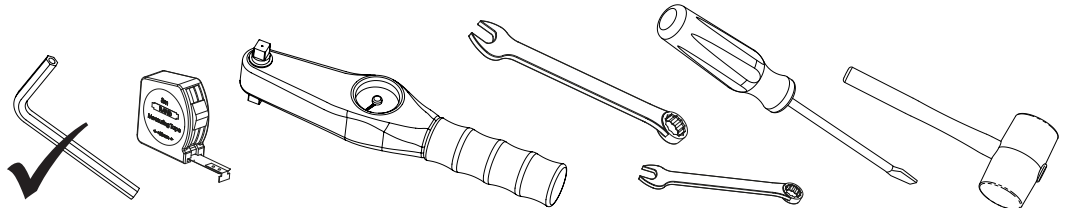
# RHINO-RACK

## RLCP24 / RLCP24F / RLCP24R Rhino Crossbar System Volkswagen Amarok

	<b>Two Crossbars (Urban Road)</b> <b>Maximum Load Capacity</b> <b>100kg/220lbs</b>	=	<b>Two Crossbars (Off-Road)</b> <b>Maximum Load Capacity</b> <b>66kg/145lbs</b>	
	<b>One Crossbar (Urban Road)</b> <b>Maximum Load Capacity</b> <b>40kg/88lbs</b>	=	<b>One Crossbar (Off-Road)</b> <b>Maximum Load Capacity</b> <b>26kg/57lbs</b>	

### Tools required:

Allen key, included.  
Tape measure.  
Torque wrench.  
16mm spanner (HD bar)  
10mm spanner (Aero bar)  
Flat head screwdriver.  
Rubber mallet.



**Refer to vehicle manufacturers handbook for maximum roof loading. Always use lower of the two figures.**

### Recommendations:

It is essential that all bolt connections be checked after driving a short distance when you first install your crossbars. Bolt connections should be checked again at regular intervals (probably once a week is enough, depending on road conditions, usage, loads and distances travelled). You should also check the crossbars each time they are refitted. Make sure to fasten your load securely. Please ensure that all loads are evenly distributed and that the centre of gravity is kept as low as possible.

**Crossbars must be removed when putting vehicle through an automatic car wash.**

**Carrying Loads:** Use only non-stretch fastening ropes or straps to secure your load.

**Caution:** The handling characteristics of the vehicle change when you transport a load on the roof. For safety reasons we recommend you exercise extreme care when transporting wind-resistant loads. Special consideration must be taken into account when cornering and braking.

### Load Ratings:

Maximum permissible load is 100kg (220lbs) for two crossbars including the weight of the crossbars, 5kg (11lbs). When crossbars are to be used in off-road conditions, please build a safety factor of 1.5 into this load limit for off-road use, two crossbars = **66kg (145lbs)**. Although the crossbars are tested and approved to AS1235-2000, off-road conditions can be much more rigorous. However, increasing the number of crossbars does not increase the vehicles maximum permissible roof loading.

### Note for Dealers and Fitters:

It is your responsibility to ensure instructions are given to the end user or client.

Rhino-Rack  
3 Pike Street, Rydalmere,  
NSW 2116, Australia.  
(Ph) (02) 9638 4744  
(Fax) (02) 9638 4822

Document No: R106  
Prepared By: Craig Jones  
Authorised By: Chris Murty

Issue No: 04  
Issue Date: 20/09/2012

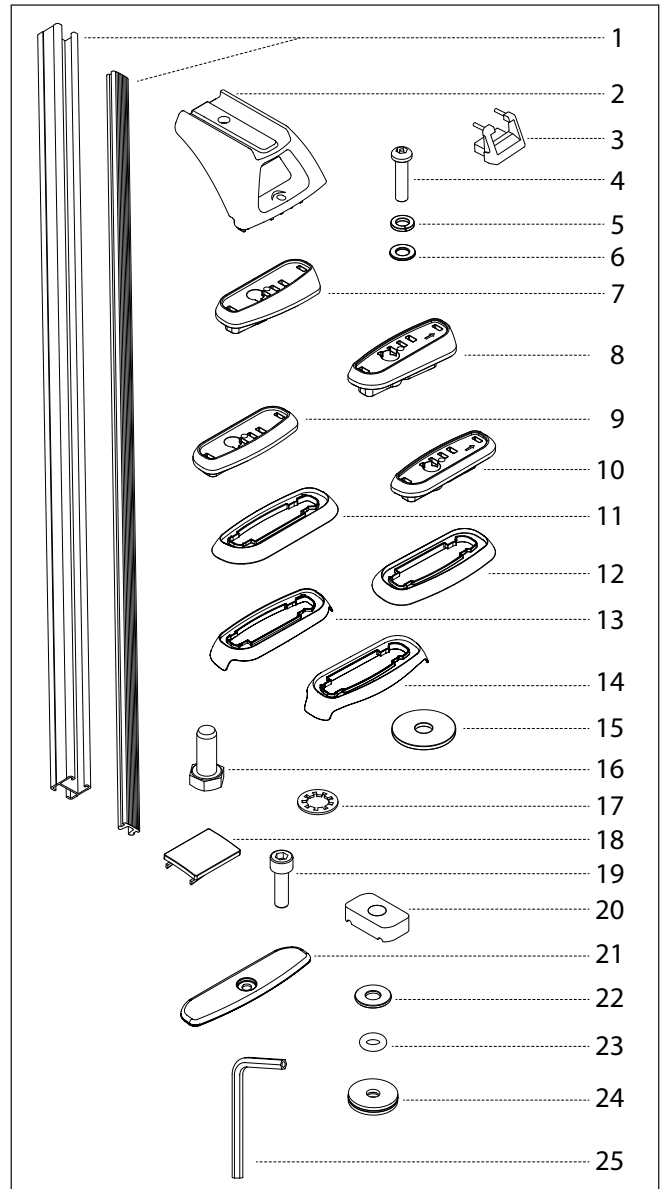
These instructions remain the property of Rhino-Rack Australia Pty. Ltd. and may not be used or changed for any other purpose than intended.



# RLCP24 / RLCP24F / RLCP24R

## PARTS LIST

Item	Component	Qty. 2 Bars	Qty. 1 Bar Front	Qty. 1 Bar Rear	Part No.
1	HD crossbar & rubber	-	-	-	Sold Separately
2	RLCP leg	4	2	2	M123
3	End cap	4	2	2	M002
4	M6 x 25mm security screw	4	2	2	B137
5	M6 spring washer	8	4	4	W004
6	M6 x 12mm flat washer	4	2	2	W003
7	Front Right pad FR	1	1	0	M546
8	Front Left pad FL	1	1	0	M547
9	Rear Right pad RR	1	0	1	M548
10	Rear Left pad RL	1	0	1	M549
11	Rubber skirt Left (short)	2	1	1	M550
12	Rubber skirt Right (short)	2	1	1	M551
13	Rubber skirt Left (long)	2	1	1	M552
14	Rubber skirt Right (long)	2	1	1	M553
15	M10 x 38mm washer	4	2	2	W022
16	M10 x 20mm hex bolt	4	2	2	B003
17	M10 shakeproof washer	4	2	2	W021
18	Trim cover	4	2	2	M560
19	M6 x 30mm socket hd cap screw	4	2	2	B047
20	M10 channel nut	4	2	2	N024
21	Pad cover plate	4	2	2	M126
22	M6 x 16mm flat washer	4	2	2	W031
23	3mm x 6mm O-ring	4	2	2	C347
24	Copper/foam washer	4	2	2	C967
25	5mm security allen key	1	1	1	H021
26	Fitting Instruction	1	1	1	R106



Select Amarok model, with or without roof trim.

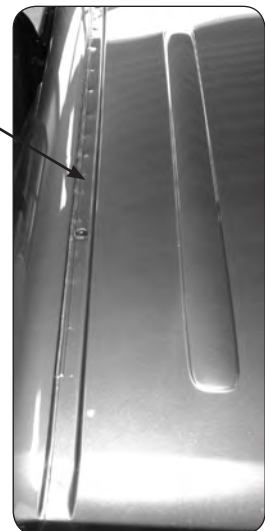
Volkswagen Amarok  
with roof trim.

Steps;  
1-3, 5-9, 11-17.



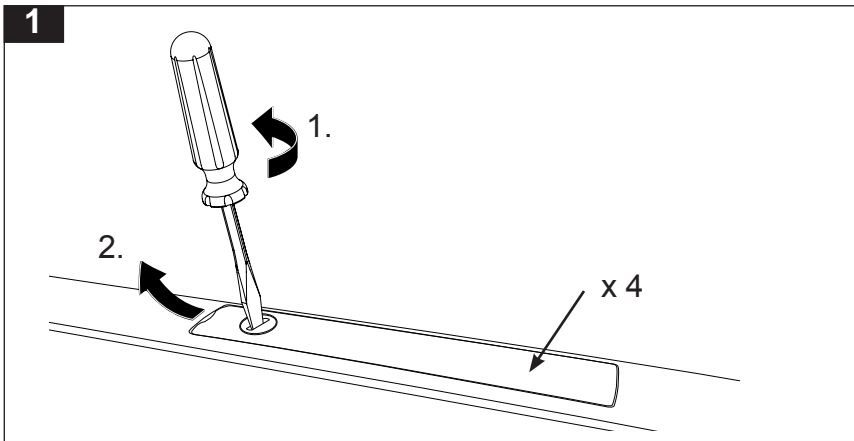
Volkswagen Amarok  
without roof trim.

Steps;  
2, 4-5, 7-8, 10-17.

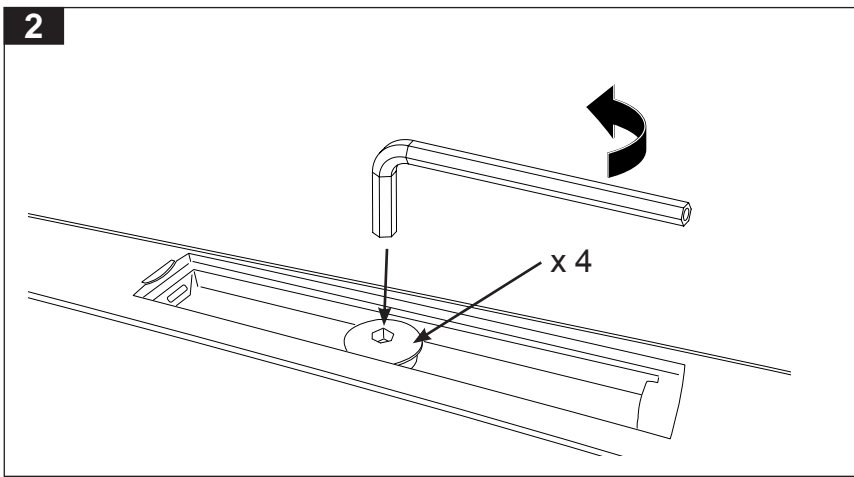




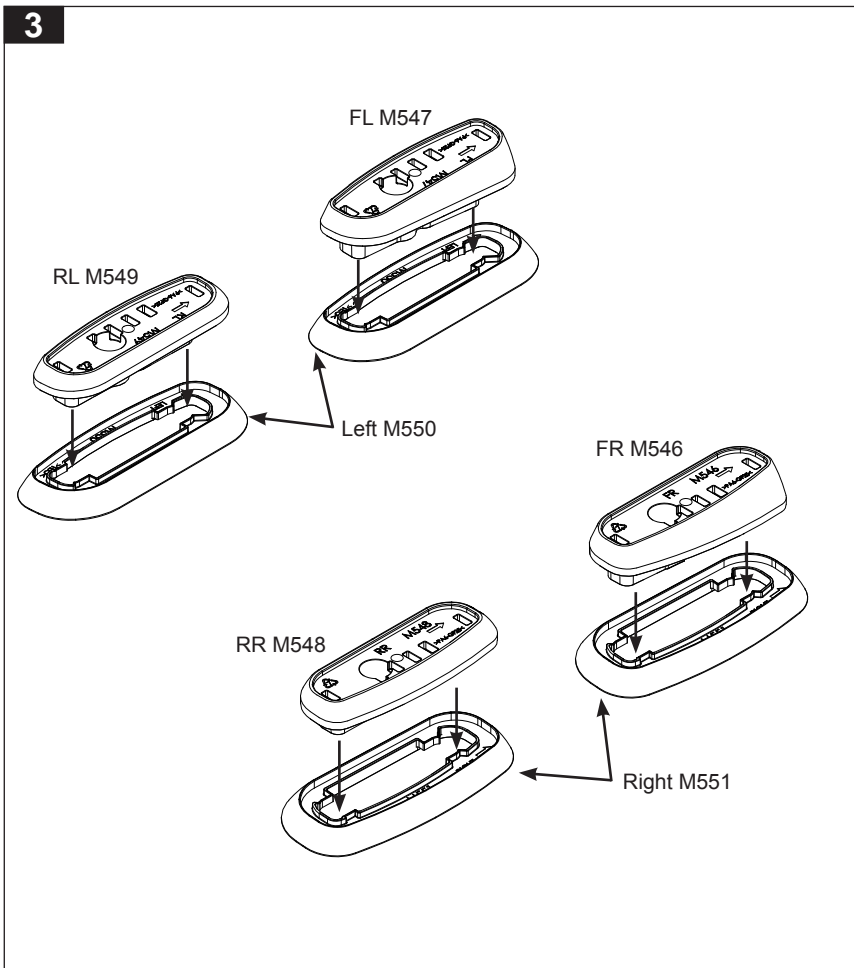
# RLCP24 / RLCP24F / RLCP24R



**Remove roof covers.**  
 Unscrew half a turn anti-clockwise, remove cover.



**Remove roof screws.**  
 Use supplied allen key.



**Attach short rubber skirt.**  
 Front Left ..... FL M547  
 Rear Left ..... RL M549  
 Front Right ..... FR M546  
 Rear Right ..... RR M548

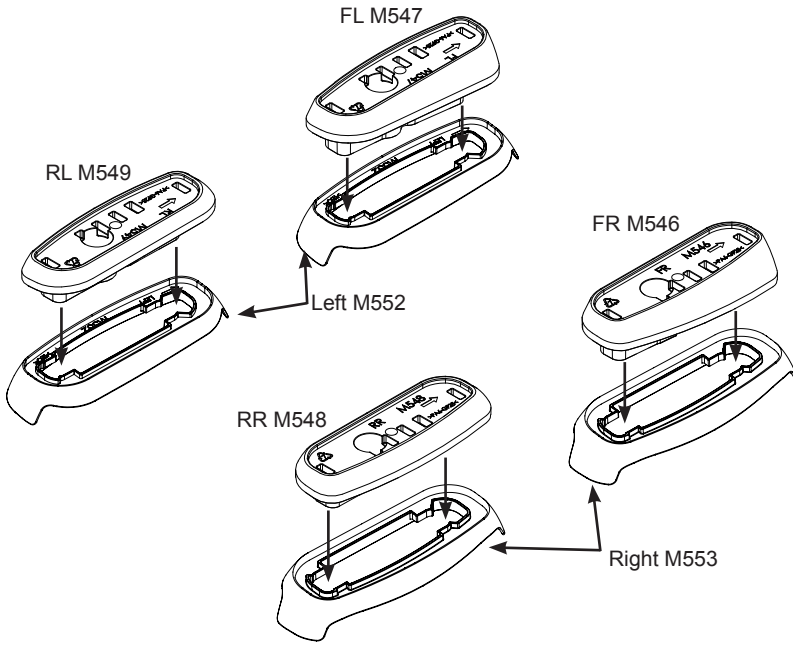
Left skirt ..... Left M550  
 Right skirt ..... Right M551





# RLCP24 / RLCP24F / RLCP24R

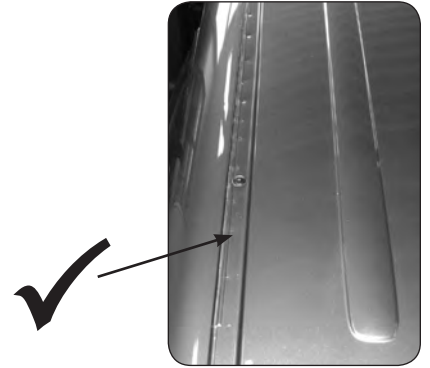
4



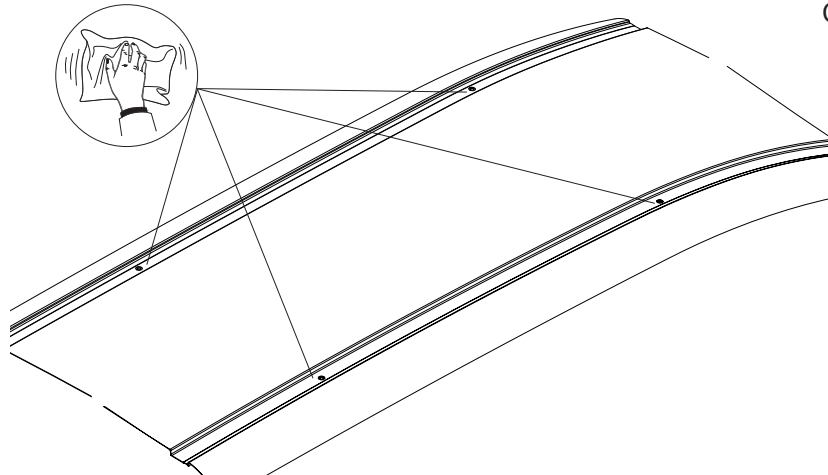
### Attach long rubber skirt.

- Front Left ..... FL M547
- Rear Left ..... RL M549
- Front Right ..... FR M546
- Rear Right ..... RR M548

- Left skirt ..... Left M552
- Right skirt ..... Right M553

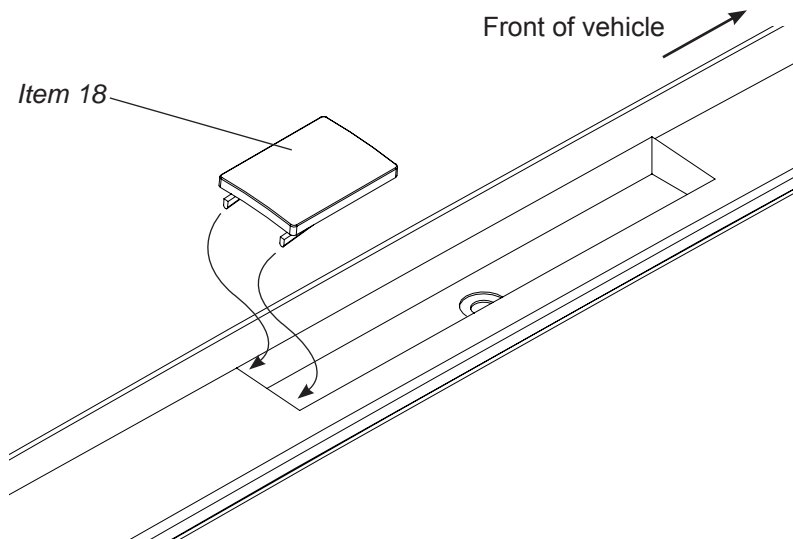


5



Clean roof rack mounting surface.

6



### Attach trim cover.

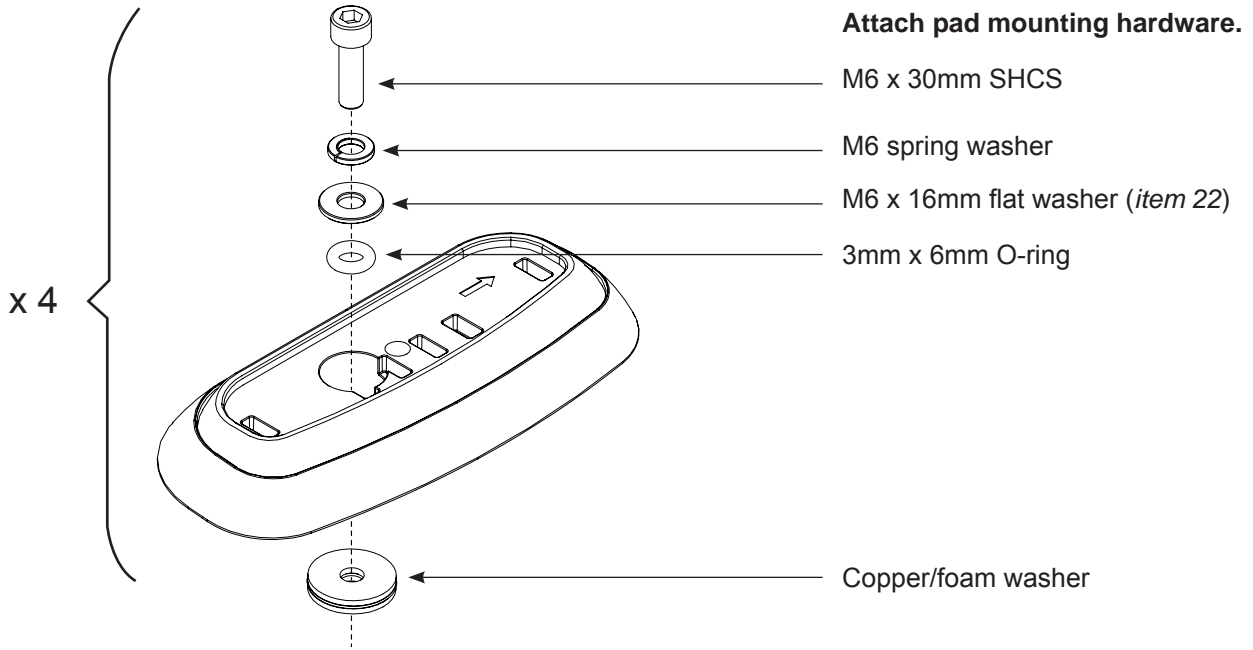
Fit trim covers, 4 places. Only for vehicles with roof trim.





# RLCP24 / RLCP24F / RLCP24R

7

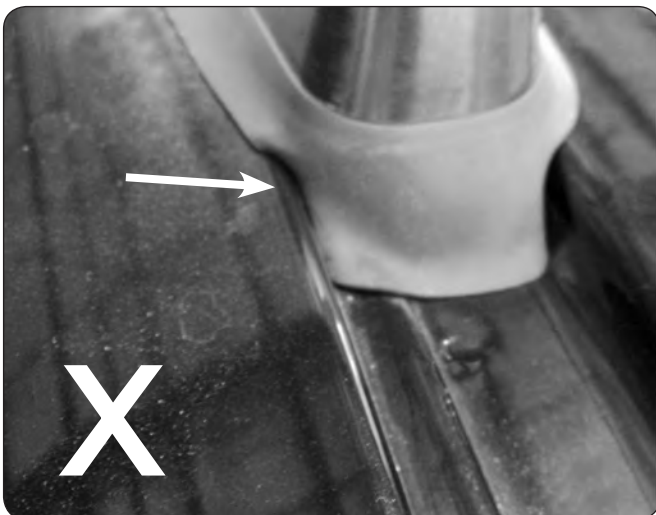
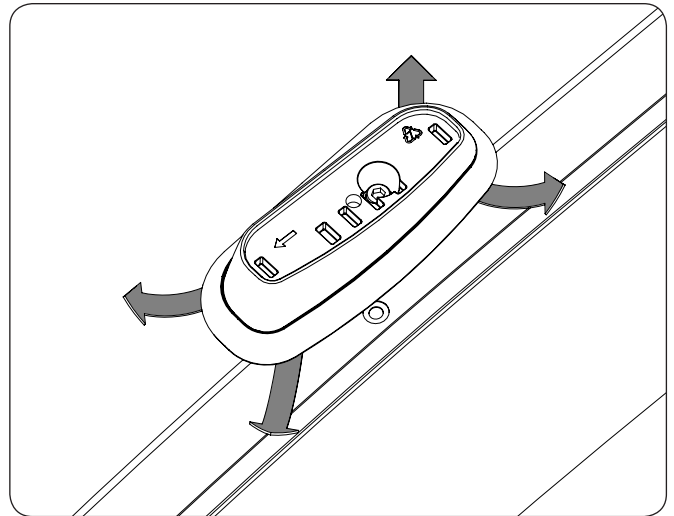
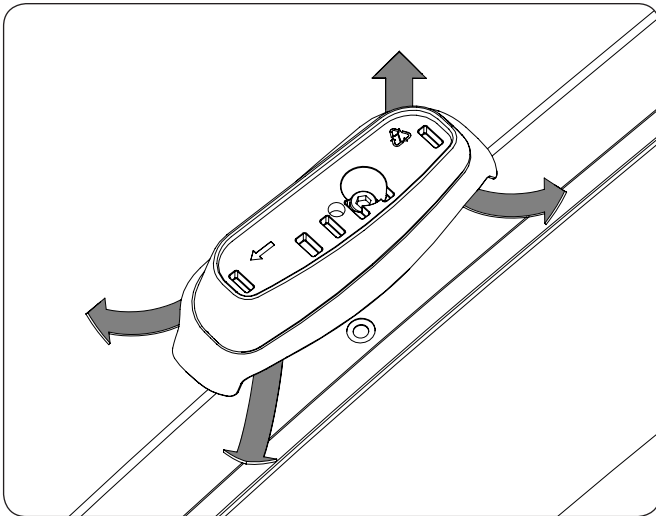


8



## Rubber skirt.

Support rubber skirt when fitting to prevent it from folding under.

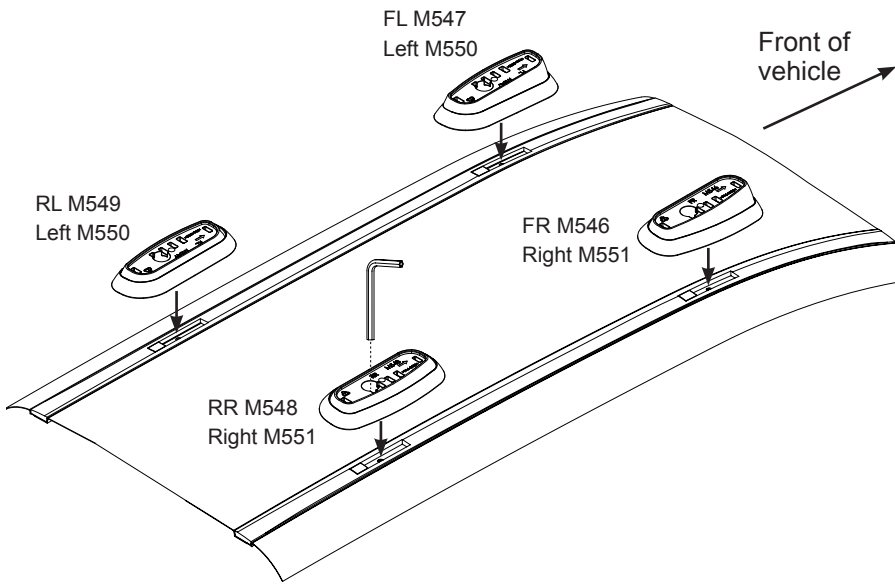






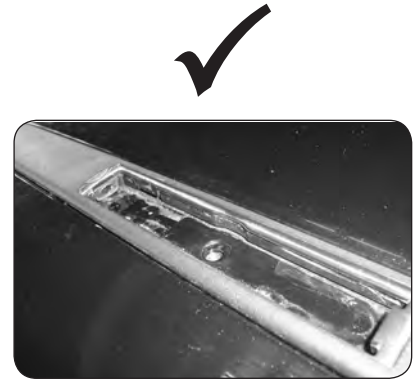
# RLCP24 / RLCP24F / RLCP24R

9

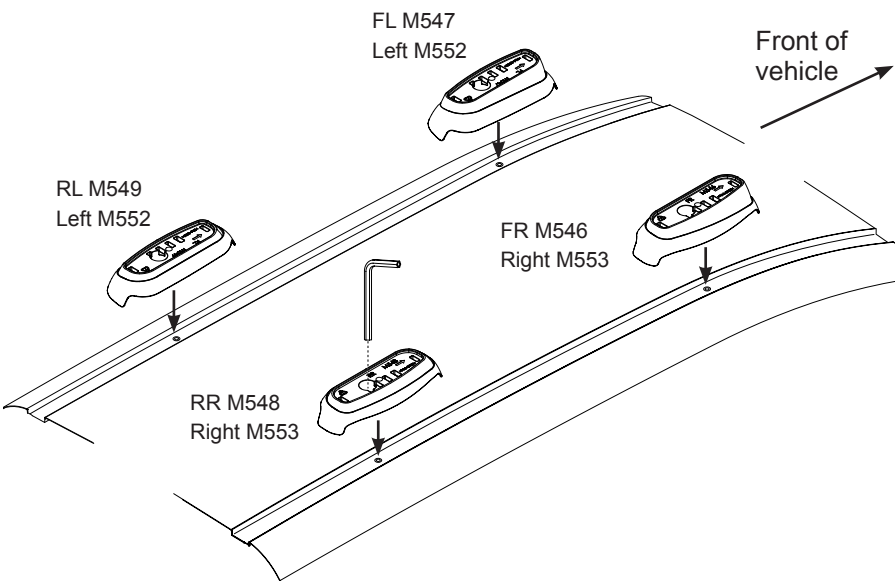


## Fit pads to roof.

Fasten pads to roof.  
Tighten M6 x 30mm screws, 5-6 Nm.

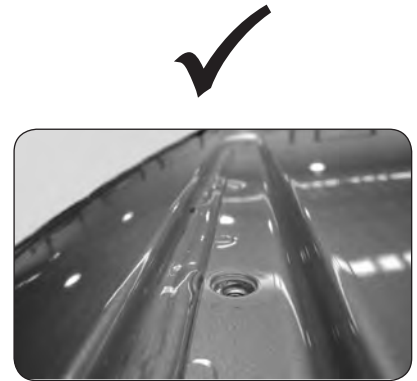


10

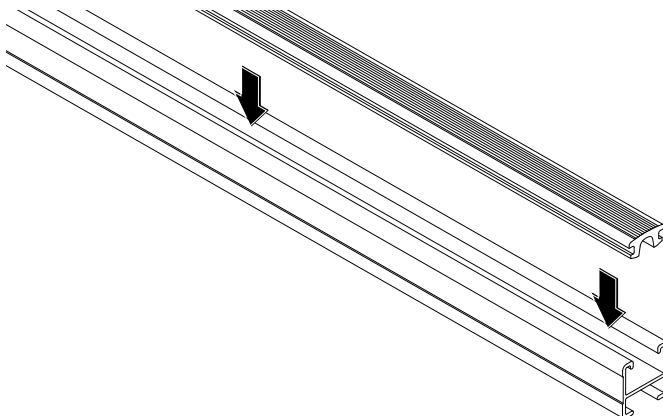


## Fit pads to roof.

Fasten pads to roof.  
Tighten M6 x 30mm screws, 5-6 Nm.



11



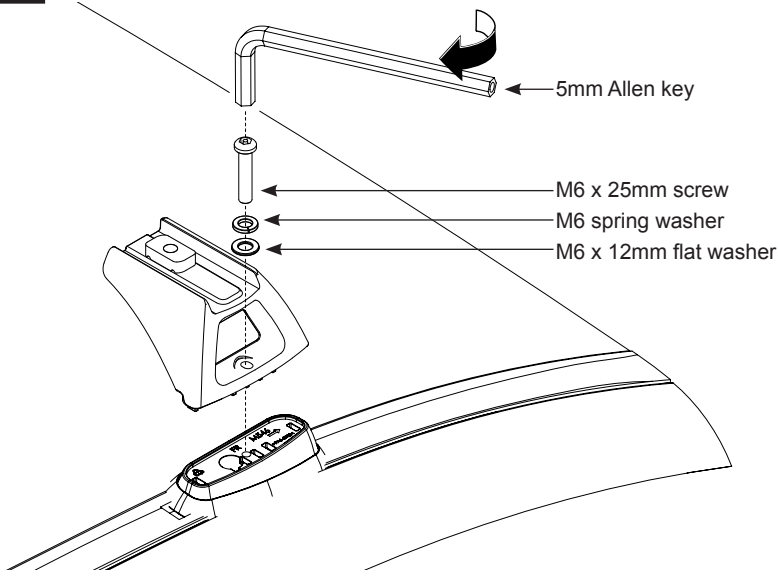
## Crossbar rubber.

Insert crossbar rubber into front and rear crossbar.



# RLCP24 / RLCP24F / RLCP24R

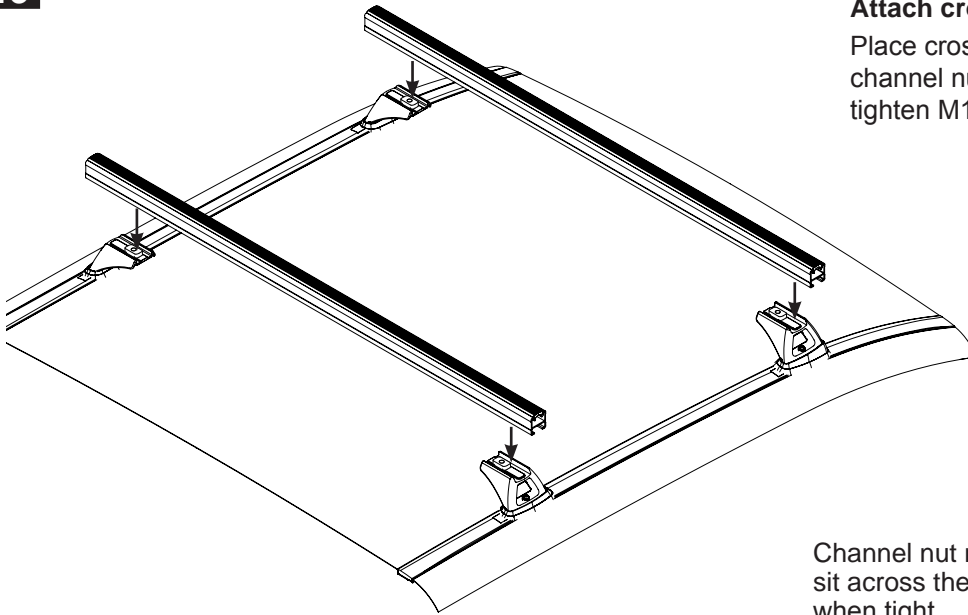
12



### Attach legs.

Attach all 4 legs to pads. Do not fully tighten at this stage.

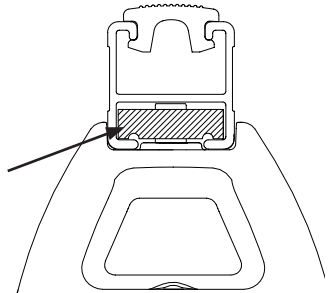
13



### Attach crossbars.

Place crossbars on top of legs. Make sure channel nut is across the bar. Lightly finger tighten M10 crossbar bolts.

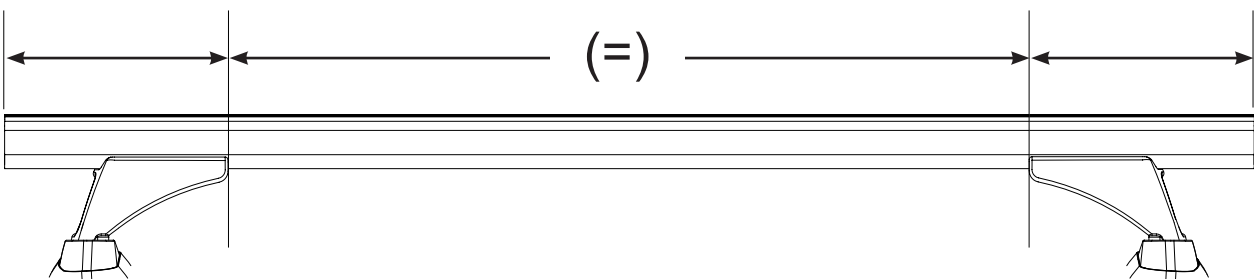
Channel nut must sit across the bar when tight.



14

### Equal crossbar overhang.

Slide crossbars to achieve equal overhang.

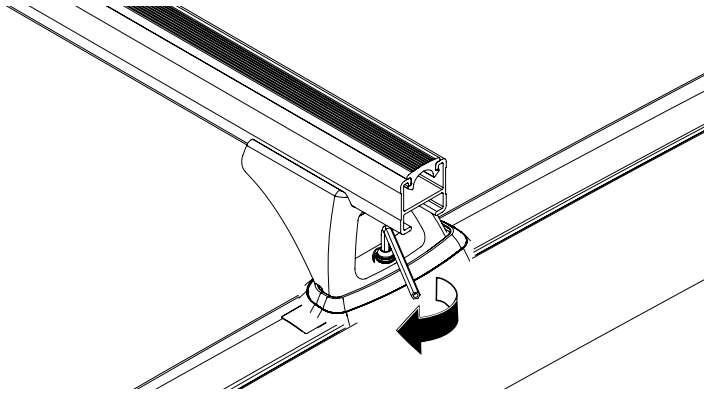






## RLCP24 / RLCP24F / RLCP24R

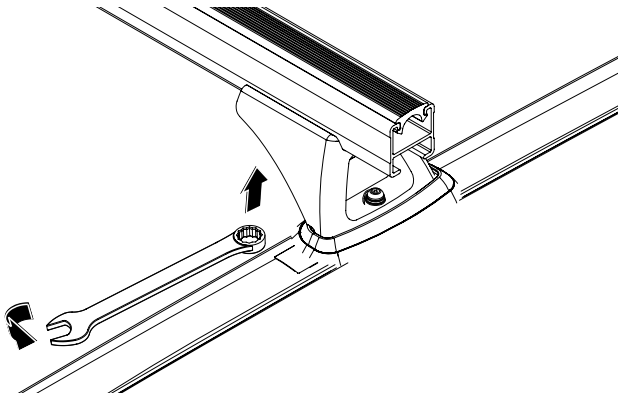
15



### Tighten M6 screws.

Evenly tighten both left and right side M6 leg screws. 3-4 Nm.

16



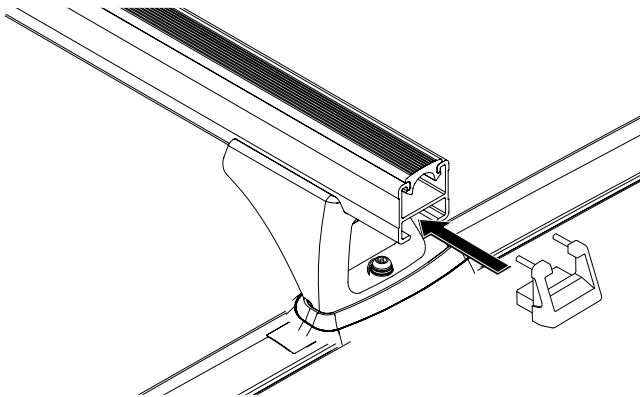
### Tighten M10 bolts.

Evenly tighten both left and right side M10 crossbar bolts. 10-12 Nm.

17

### End caps.

Knock end caps into each end of crossbars. A rubber mallet may be needed.



### When crossbars are removed.

Attach cover plates (*item 21*) when crossbars are removed. Tighten screws 3-4 Nm.

