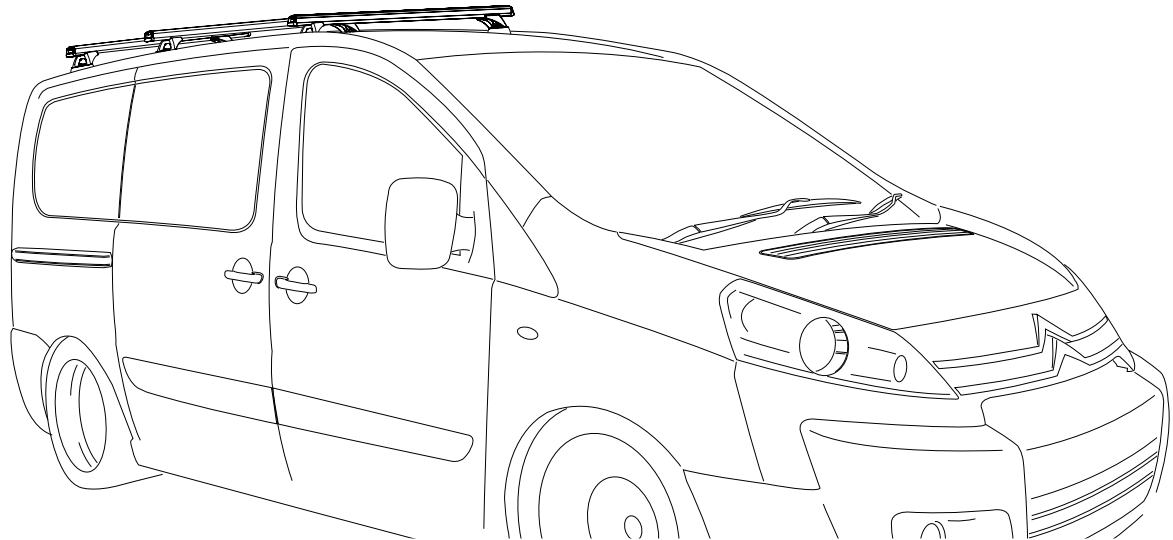


RHINO-RACK

RLCP21 Rhino Heavy Duty - Two and Three Crossbar System. Citroën Dispatch, Citroën Jumpy, Peugeot Expert, Fiat Scudo.

Important:

Please read these instructions carefully prior to installation.
Please refer to your fitting instruction to ensure that the roof racks are installed in the correct locations.
Check the contents of kit before commencing fitment and report any discrepancies.



Care instruction: Wash vehicle roof especially the mounting points prior to installation.

Important Information

Maximum carrying capacity: Two crossbars; 80kg evenly distributed. Three crossbars; 100kg evenly distributed.

Recommendations:

It is essential that all bolt connections be checked after driving a short distance when you first install your crossbars. Bolt connections should be checked again at regular intervals (probably once a week is enough, depending on road conditions, usage, loads and distances travelled). You should also check the crossbars each time they are re-fitted.

Make sure to fasten your load securely. Please ensure that all loads are evenly distributed and that the centre of gravity is kept as low as possible.

Use only non-stretch fastening ropes or straps.

Caution: The handling characteristics of the vehicle changes when you transport a load on the roof. For safety reasons we recommend you exercise extreme care when transporting wind-resistant loads. Special consideration must be taken into account when cornering and braking.

Please remove crossbars when putting vehicle through an automatic car wash.

Load Ratings:

Maximum permissible load is 80kg for two crossbars, 100kg for three crossbars (include the weight of the crossbars, 5kg). When crossbars are to be used in off-road conditions, please build a safety factor of 1.5 into this load limit for off-road use, **two crossbars = 54kg, three crossbars = 67kg**. Although the crossbars are tested and approved to AS1235-2000, off-road conditions can be much more rigorous. However, increasing the number of crossbars does not increase the vehicles maximum permissible roof loading.

Note for Dealers and Fitters:

It is your responsibility to ensure instructions are given to the end user or client.

Rhino-Rack
3 Pike Street, Rydalmere,
NSW 2116, Australia.
(Ph) (02) 9638 4744
(Fax) (02) 9638 4822

Document No: RR-191
Prepared By: Craig Jones
Authorised By: Chris Murty

Issue No: 04
Issue Date: 23/04/2012

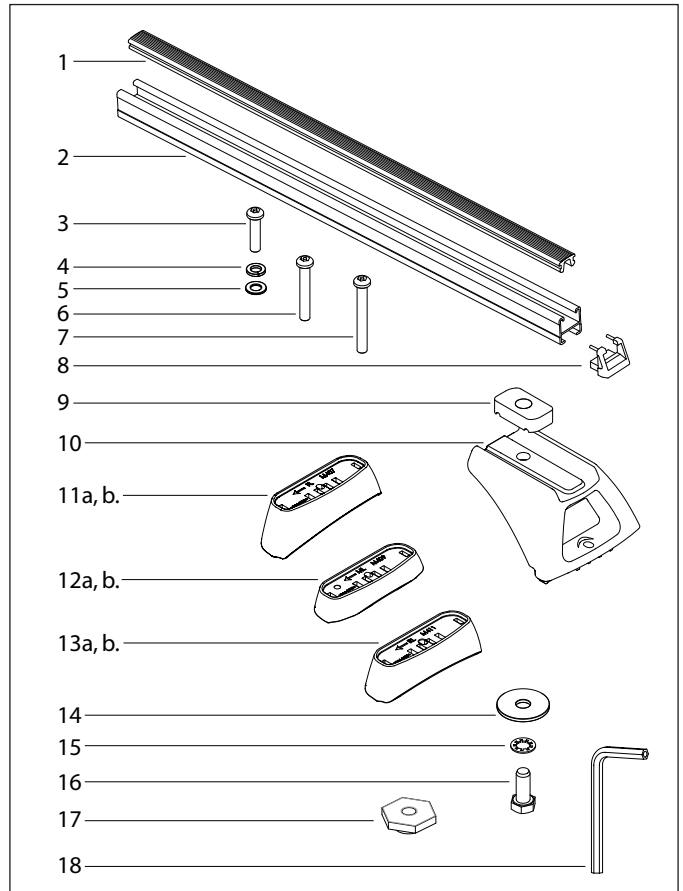
These instructions remain the property of Rhino-Rack Australia Pty. Ltd. and may not be used or changed for any other purpose than intended.



RLCP21

Parts List

Item	Component Name	Qty	Part No.
1	Rubber buffer 1500mm (Sold Separately)	2-3	R006
2	Crossbar 1500mm (Sold Separately)	2-3	A022
3	M6 x 27mm security screw	2	B063
4	M6 spring washer	4-6	W004
5	M6 x 12.5mm flat washer	4-6	W003
6	M6 x 40mm security screw	0-2	B085
7	M6 x 45mm security screw	0-2	B091
8	End cap	4-6	M002
9	M10 channel nut	4-6	N024
10	RLCP Leg	4-6	M123
11a	FRONT Left Pad	0-1	M407
11b	FRONT Right Pad	0-1	M408
12a	MIDDLE Left Pad	1	M409
12b	MIDDLE Right Pad	1	M410
13a	REAR Left Pad	0-1	M411
13b	REAR Right Pad	0-1	M412
14	M10 x 38mm flat washer	4-6	W022
15	M10 internal shakeproof washer	4-6	W021
16	M10 x 20mm hex bolt	4-6	B003
17	Brass spigot nut	4-6	N042K
18	5mm security allen key	1	H021
19	Fitting instruction	1	RR-191



Tools required:

Security allen key, provided in kit. Rubber mallet.
16mm spanner. Tape measure.

WARNING:

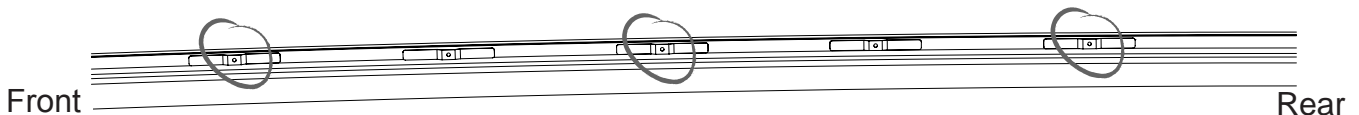
Failure to use the correct length M6 screws will result in vehicle damage. Refer Step 3.

1 Short Wheel Base (SWB):

Two or Three crossbar option is available for the SWB van which has five roof mounting brackets. Use only the mounting brackets as indicated below.

Two crossbars; Front & Middle, or
Rear & Middle.

Three crossbars; Front, Middle, Rear.

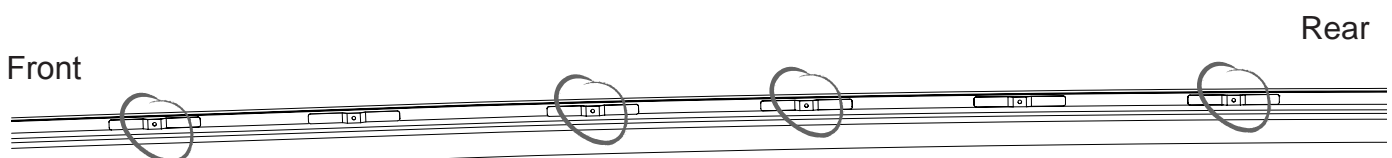


Long Wheel Base (LWB):

Two or Three crossbar option is available for the LWB van which has six roof mounting brackets. Use only the mounting brackets as indicated below.

Two crossbars; Front & either of the two Middle brackets, or
Rear & either of the two Middle brackets.

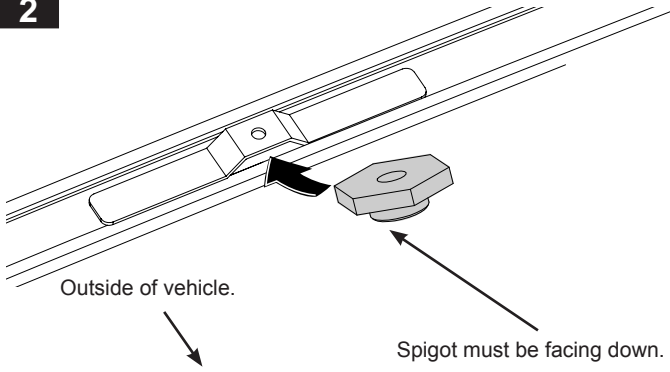
Three crossbars; Front, either of the two Middle and Rear.





RLCP21

2



Fit brass spigot nut:

Carefully place the brass hex spigot nut (*spigot facing down*) under the raised bracket. Fit from the outer side of the vehicle.

Fit nuts to all brackets that you will be using - refer Step 1 for positioning of two and three cross bars.

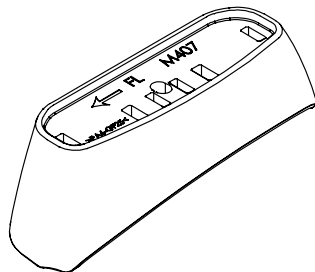
3 Roof pad orientation:

Pad orientation is identified by the lettering on top. Arrows on pads must face towards front of vehicle when installed.

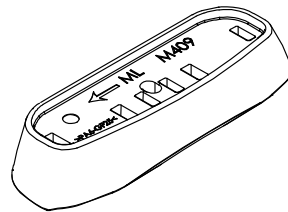
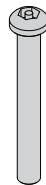
WARNING: Different length M6 screws are used for the pads.

Failure to use the correct length screws will result in vehicle damage.

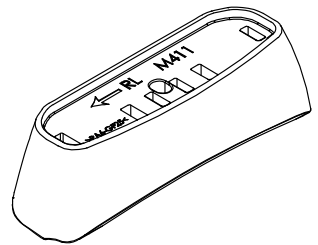
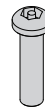
- FL = Front Left
- ML = Middle Left
- RL = Rear Left
- FR = Front Right
- MR = Middle Right
- RR = Rear Right



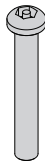
FRONT Left & Right
M6 x 45mm



MIDDLE Left & Right
M6 x 27mm

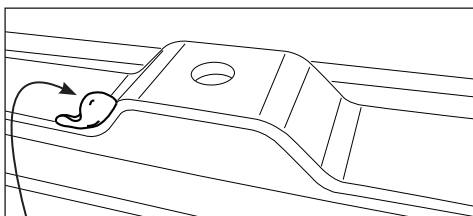


REAR Left & Right
M6 x 40mm

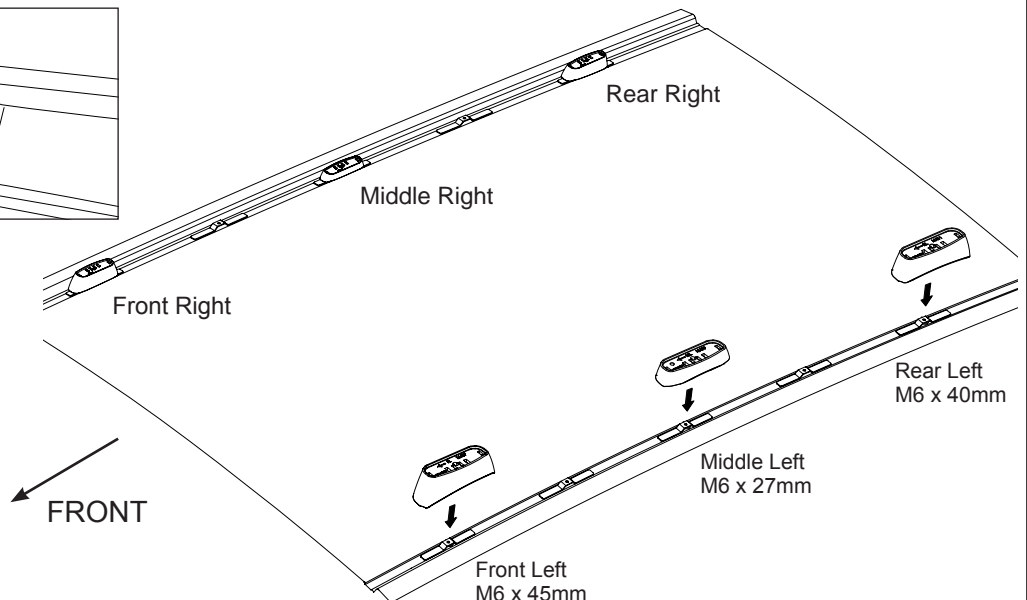


4 Sit pads on roof brackets:

Check each bracket on the roof to make sure the surface is free of dirt. Remove drip check lumps if necessary otherwise the pad will not sit correctly.



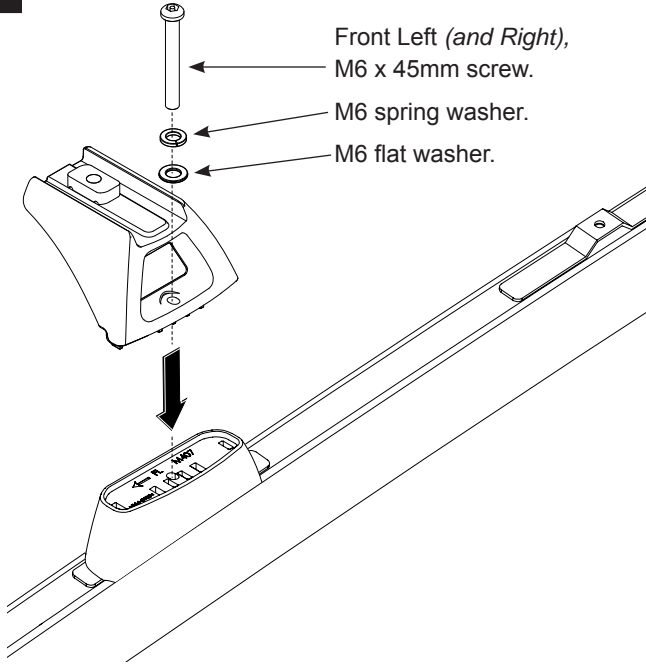
Check for blobs of drip check and remove if necessary.





RLCP21

5



Fit RLCP legs to pads:

Sit an RLCP leg onto each pad. Use the correct length M6 screw for the corresponding pad. Do not fully tighten at this stage.

Front Left & Right pad = M6 x 45mm.

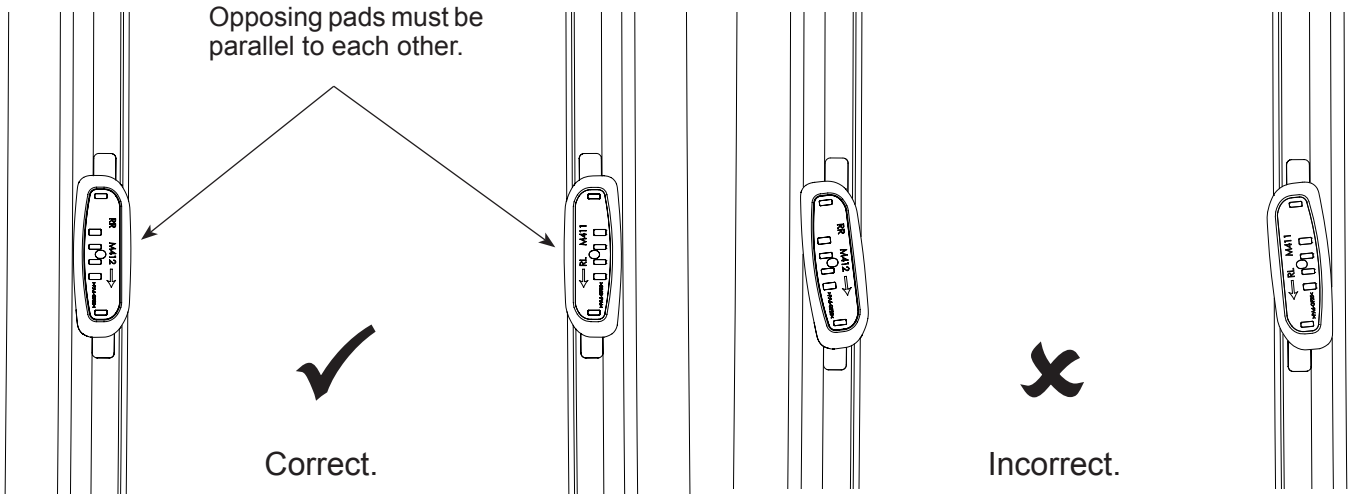
Middle Left & Right pad = M6 x 27mm.

Rear Left & Right pad = M6 x 40mm.

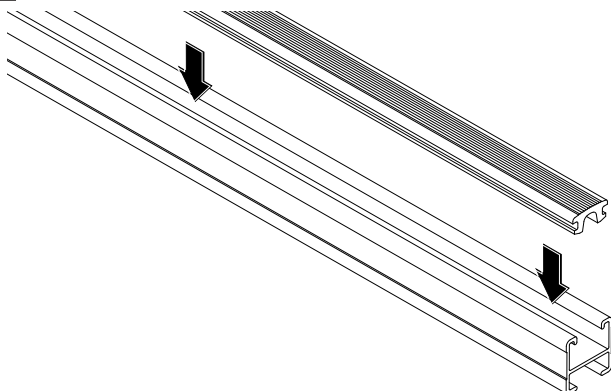
6

Check pads for correct alignment:

Check each pad and leg is parallel to the opposing side. (Legs not shown for illustrative purpose).



7



Insert crossbar rubber.

Insert the rubber buffer into top of the crossbar.

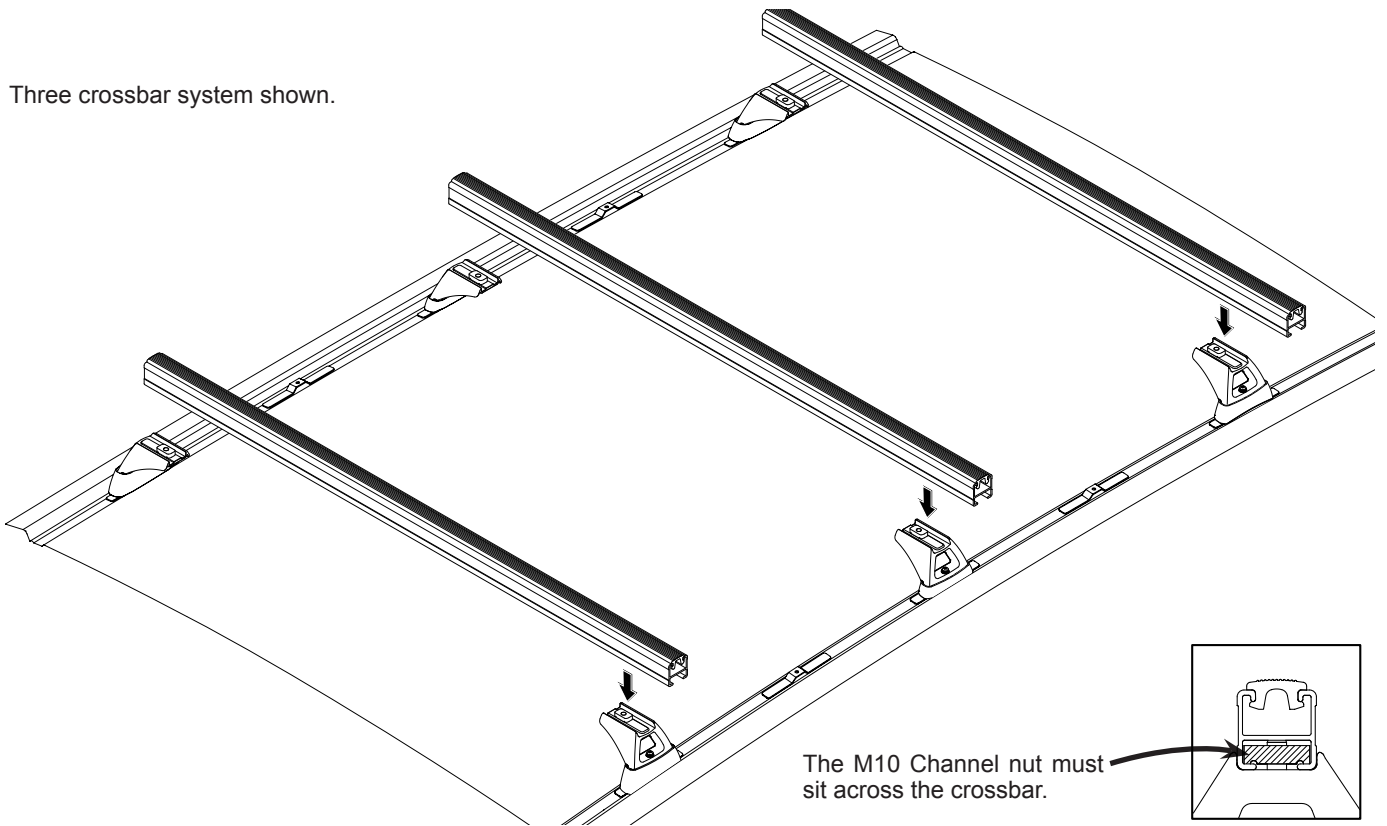


RLCP21

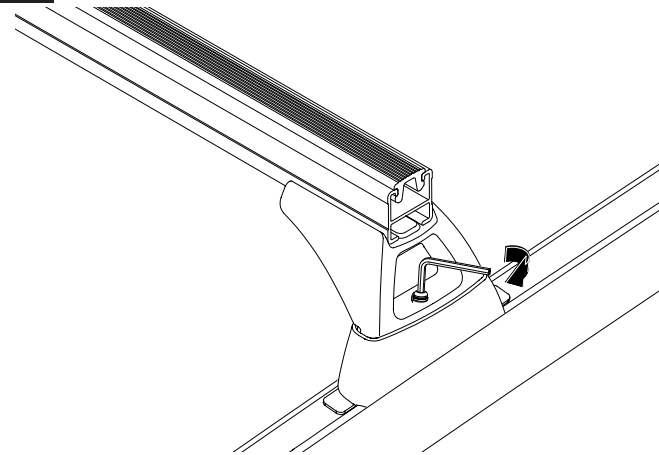
8 Crossbars.

Place crossbars onto legs. Turn the M10 channel nut to sit across the bar. Lightly finger tighten the M10 bolts.

Three crossbar system shown.



9



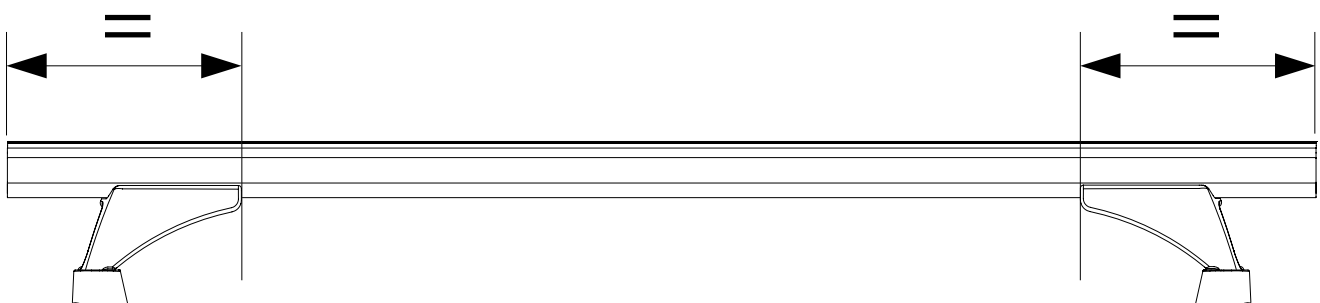
Tighten M6 screws.

Slide the crossbar to give better access to M6 screw. Evenly tighten both the left and right side M6 leg screw to secure.

**Tighten M6 screws 3-4 Nm (2-3 lb/ft).
Do not over tighten.**

10 Equal overhang.

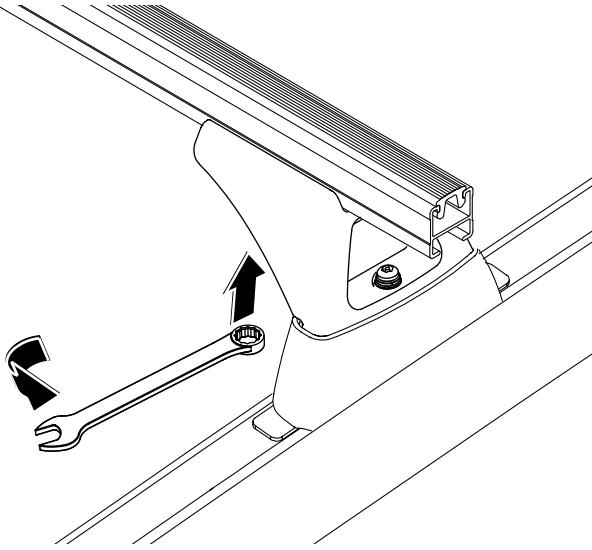
Measure to make sure the crossbar overhang is equal on both sides.





RLCP21

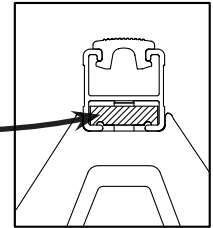
11



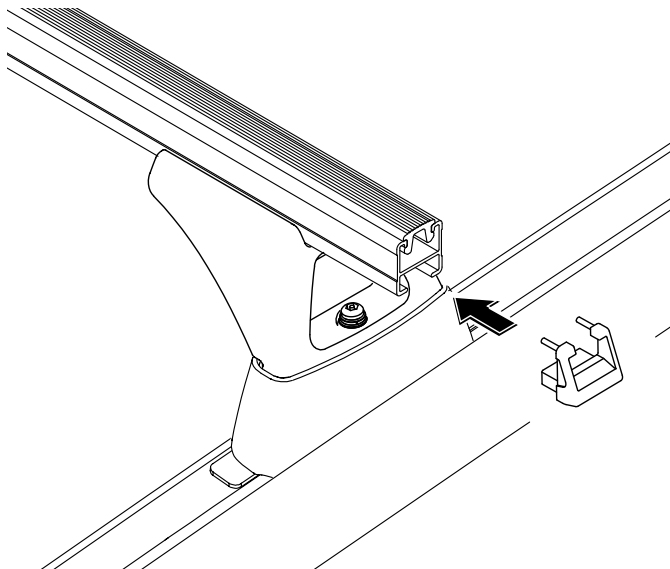
M10 bolts.

Tighten the M10 crossbar bolts using a 16mm spanner. 12-13 Nm (9-10 lb/ft). Do not over tighten.

The M10 Channel nut must sit across the bar when tight.



12



Fit end caps.

Insert end caps into each end of the crossbars. A rubber mallet may be needed to knock them in.

Re-check all bolts and screws after fitment.