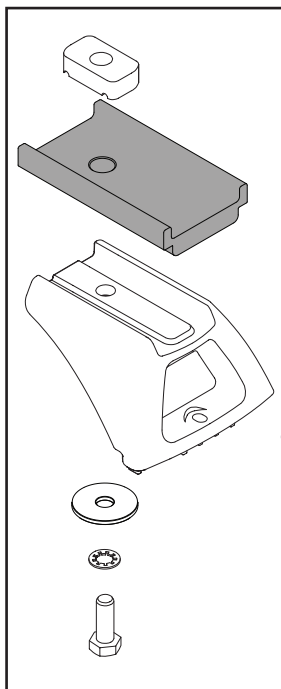
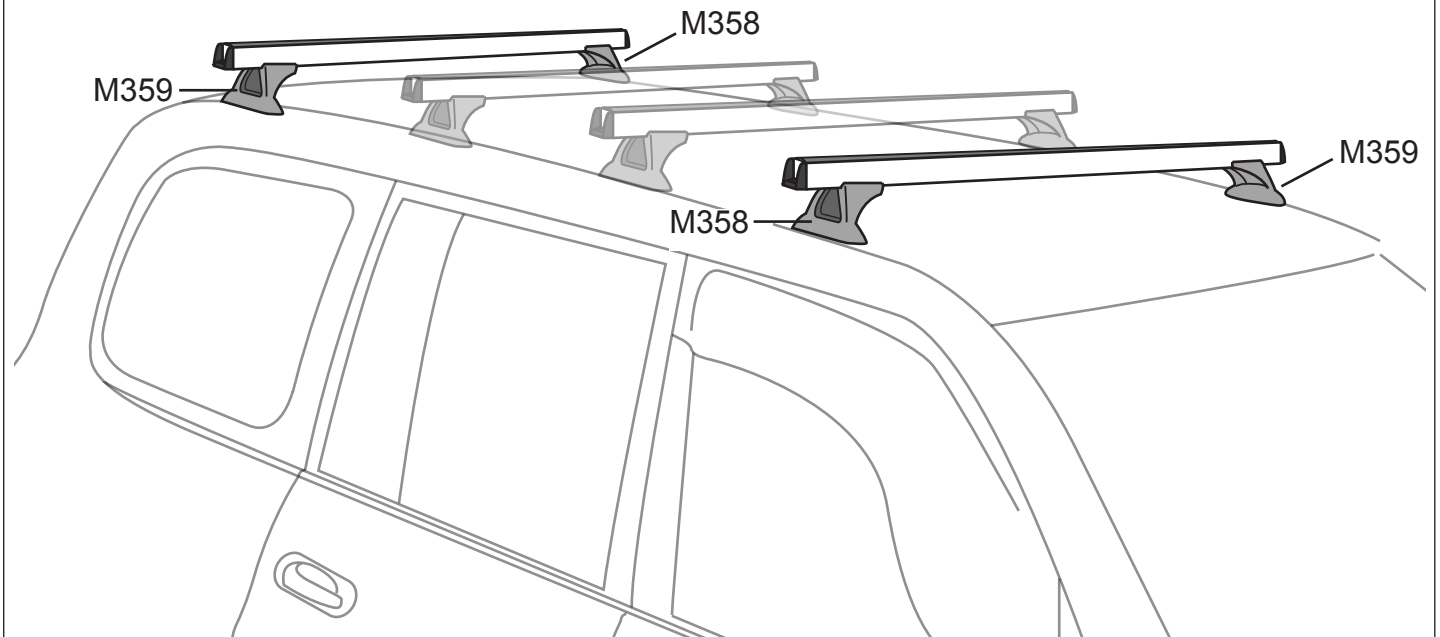




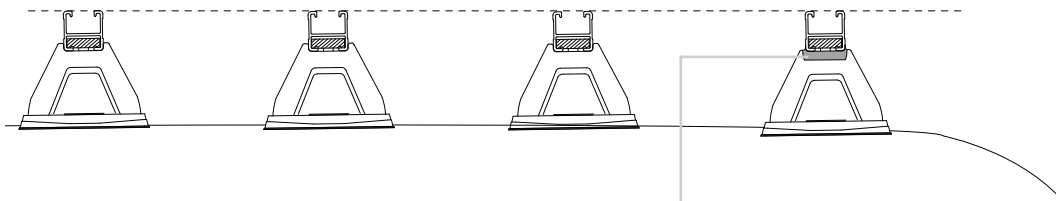
RHINO-RACK

RLCP17R

RLCP17R can be fitted in either the rear most mounting points or the forward most mounting points as shown. **Note the position of the legs will change**, this is illustrated below.



If the RLCP17R is fitted in the forward position, an LHSPAIR will be required on **BOTH** front legs. This will ensure all leg heights are even.



Rear

Side View

Front