



RHINO-RACK

Aerodynamic & Heavy Duty Roof Rack Systems

JEEP Commander Two Cross Bars

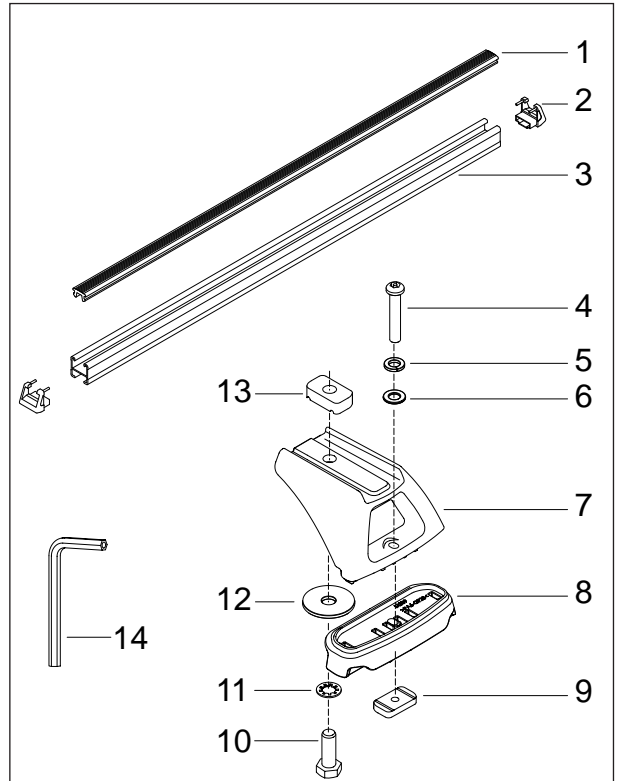
Place these instructions in the vehicle's glove box after installation is complete.

Important: Please read these instructions carefully prior to installation. Please refer to your fitting instruction to ensure that the roof racks are installed in the correct locations. Check the contents of kit before commencing fitment and report any discrepancies

Parts List

Maximum carrying capacity: 68kg

Item	Component Name	Qty	Part No.
1	Rubber Buffer Strip 1375mm	2	(Sold Sparately)
2	Heavy Duty Cross Bar End Cap	4	M002
3	Heavy Duty Cross Bar 1375mm	2	(Sold Sparately)
4	M6 x 45 Security Screw	4	B091
5	M6 Spring Washer	8	W004
6	M6 x 12.5mm Flat Washer	4	W003
7	RLCP Leg	4	M123
8	Jeep Base Pad	4	M339
9	M6 Channel Nut	4	N002
10	M10 x 25mm Hex Bolt	4	B071
11	M10 Internal Shakeproof Washer	4	W021
12	M10 x 38mm Flat Washer	4	W022
13	M10 Channel Nut	4	N024
14	5mm Security Allen Key	1	H001
15	Fitting Instruction	1	RR-159



Tools Required;

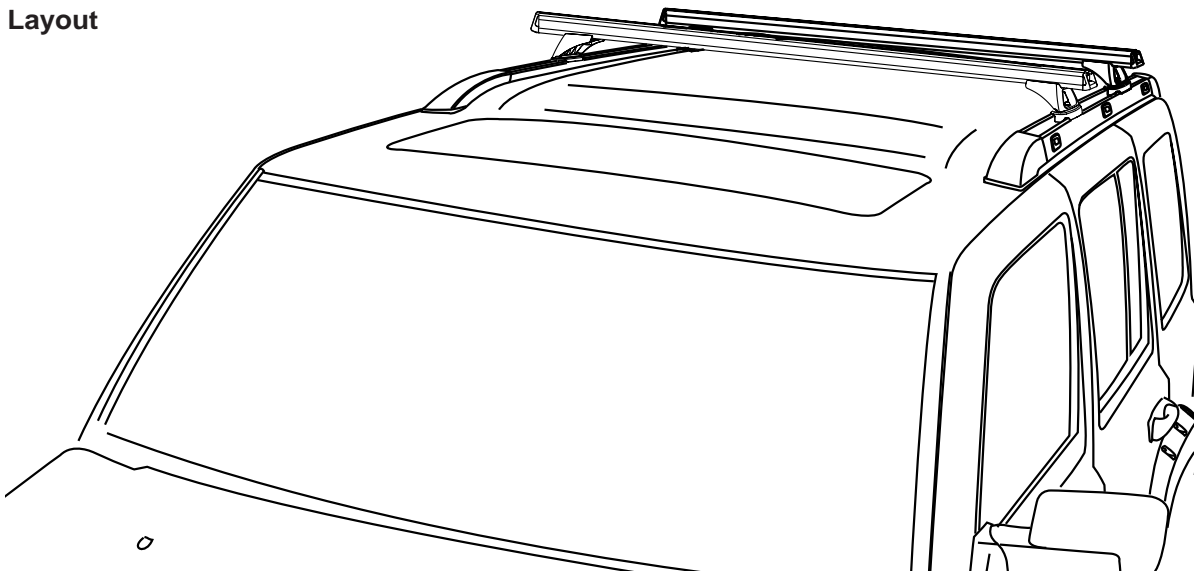
Allen key, included in kit.
10mm Spanner.

Rubber Mallet.
Tape Measure.

IMPORTANT Care Instruction:

Thoroughly clean the roof rails prior to fitting roof racks. PLEASE READ THROUGH FITTING INSTRUCTIONS BEFORE FITMENT.

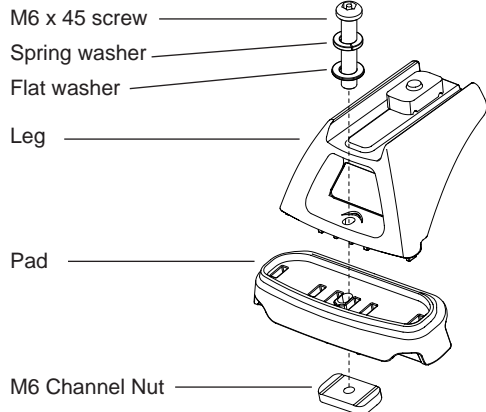
Layout





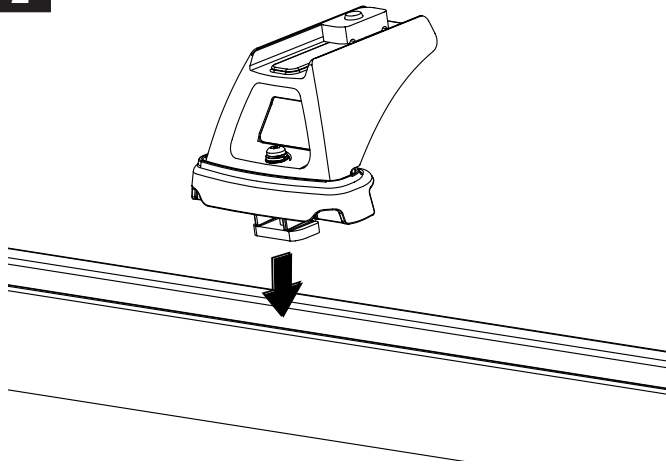
JEEP Commander Two Cross Bars

1



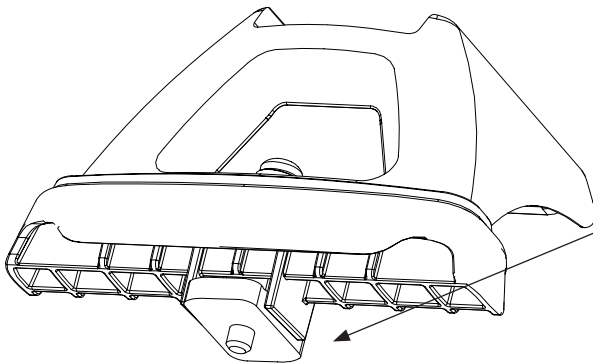
Assemble the M6 screw with washers and legs/pads as shown. Start the M6 screw with the channel nut. Leave loose. **Assemble the four legs but do not tighten at this stage.**

2



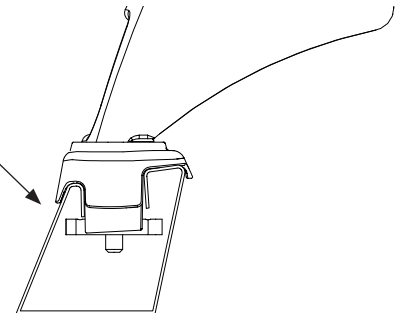
Make sure the channel nut is below the location tangs on the Jeep base pad so it can be rotated to fit between the gap in the roof rail. Sit the cross bar and leg assemblies on each roof rail.

3



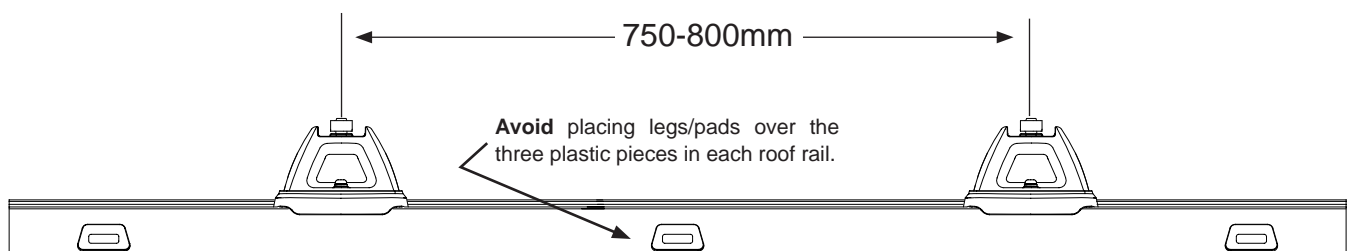
Use the security allen key to carefully rotate the channel nut until it locates between the long tangs that extend from the bottom of the Jeep base pad.

Channel nut must fully locate between tangs.



4

Before tightening, slide the legs to an appropriate position. As a guide use a spacing of 750-800mm.

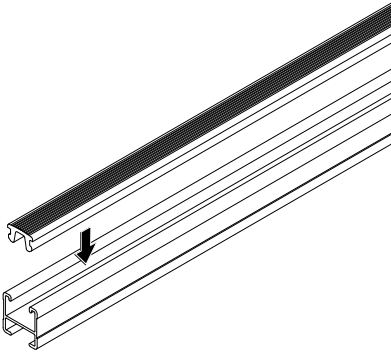




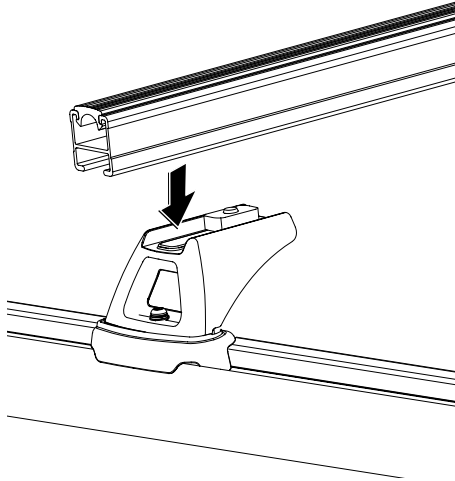
JEEP Commander Two Cross Bars

- 5** a. Insert the cross bar buffer strip into the top of the cross bar. b. Attach cross bar to top of the leg. c. Make sure the channel nut sits fully across the cross bar.

a.

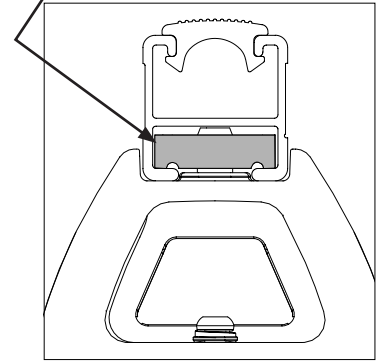


b.



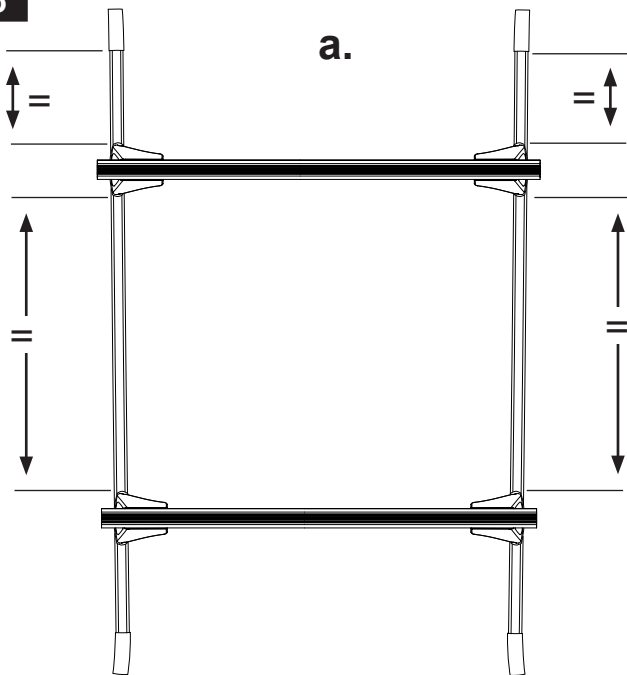
c.

Channel Nut MUST lie across the bar when tight.



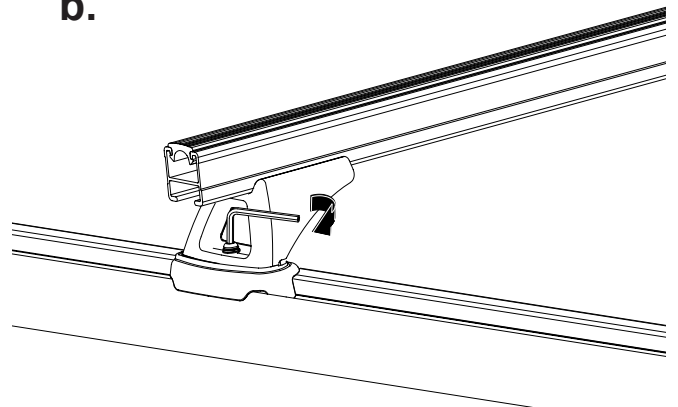
6

a.



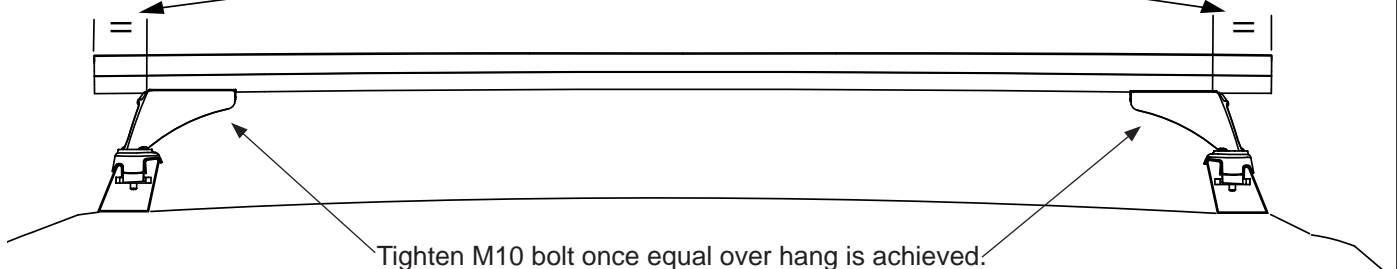
- a. The cross bars must sit parallel across the vehicle.
b. Tighten the M6 screw to 3-4N/m using the security allen key provided. **Do not over tighten.**

b.



- 7** Adjust the cross bar by sliding side to side to achieve equal over hang. Using a 10mm spanner tighten the hex bolt on the under side of the leg to 3-4N/m.

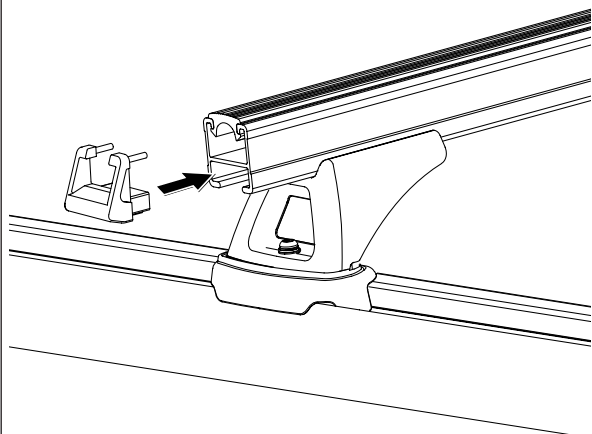
Equal





JEEP Commander Two Cross Bars

9



Trim the rubber buffer strip before knocking the end caps into each cross bar.

Important Information

Maximum carrying capacity: 68kg

Recommendations:

It is essential that all bolt connections be checked after driving a short distance when you first install your cross bars. Bolt connections should be checked again at regular intervals (probably once a week is enough, depending on road conditions, usage, loads and distances travelled). You should also check the cross bars each time they are refitted.

Make sure to fasten your load securely. Please ensure that all loads are evenly distributed and that the centre of gravity is kept as low as possible.

Use only non-stretch fastening ropes or straps.

Sensitivity to crosswinds, behaviour in curves and braking.

The handling characteristics of the vehicle, changes when you transport a load on the roof. For safety reasons, we recommend you exercise extreme care when transporting wind-resisting loads; special consideration must be taken into account when braking.

Please remove cross bars when putting vehicle through an automatic car wash.

Load rating.

Maximum permissible load is 68kg per pair of cross bars (include the weight of the roof racks, 5kg). When cross bars are to be used in off-road conditions, please build a safety factor of 1.5 into this load limit. Although the roof racks are tested and approved to AS1235-2000, Australian road conditions can be much more rigorous. However, increasing the number of cross bars does not increase the vehicles maximum permissible roof loading.

Note for Dealers and Fitters

It is your responsibility to ensure instructions are given to the end user or client

Rhino-Rack
3 Pike Street, Rydalmere,
NSW 2116, Australia.
(Ph) (02) 9638 4744
(Fax) (02) 9638 4822

Document No: RR-159
Prepared By: Craig Jones
Authorised By: Gary England

Issue No: 02
Issue Date: 19/09/2011

These instructions remain the property of Rhino Rack Australia Pty. Ltd. and may not be used or changed for any other purpose than intended.