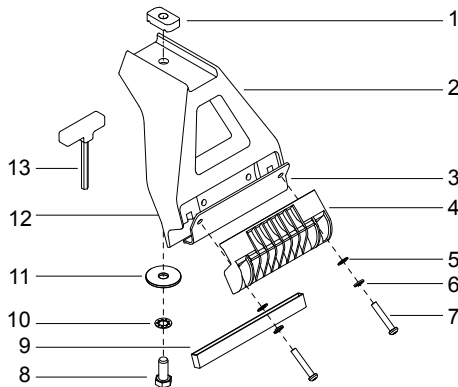




# RHINO-RACK

## RL210S2 - MITSUBISHI Delica LWB High Roof

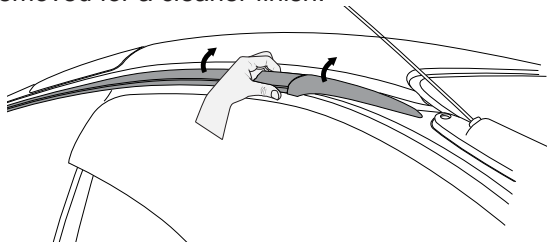
Please read these instructions carefully prior to installation.  
Check the contents of kit before commencing fitment and report any discrepancies.  
Please refer to your fitting instruction to ensure that the roof racks are installed in the correct locations.



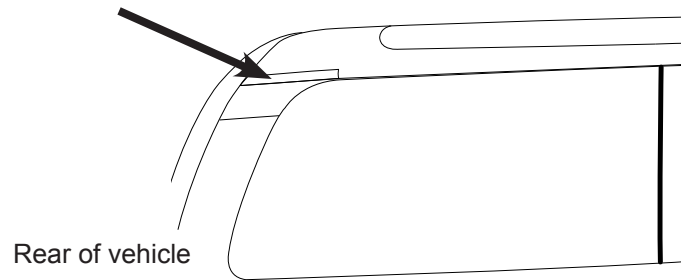
item	Components	Qty	Part No.
1	M10 channel nut	2	N024
2	Gutter leg	2	M210
3	Gutter bracket	2	C022
4	Gutter clamp	2	M003
5	M6 flat washer	4	W003
6	M6 spring washer	4	W004
7	M6 x 35mm security screw	4	B092
8	M10 x 25mm hex screw	4	B071
9	Rubber boot	2	M053
10	M10 shakeproof washer	2	W021
11	M10 x 30mm flat washer	2	W023
12	M6 x 16mm dowel nut	4	N001
13	5mm security key	1	SECKEY-S
14	Instruction	1	R725

Tools Required;  
16mm/ 5/8" spanner or socket wrench.  
Rubber mallet.  
5mm Security Allen key-provided in kit.

**1** Move to the front of the vehicle. Remove roof gutter trim by gently twisting it upwards to disengage from the clips on the vehicle body.  
**NOTE:** The adhesive clips on the vehicle body can be removed for a cleaner finish.



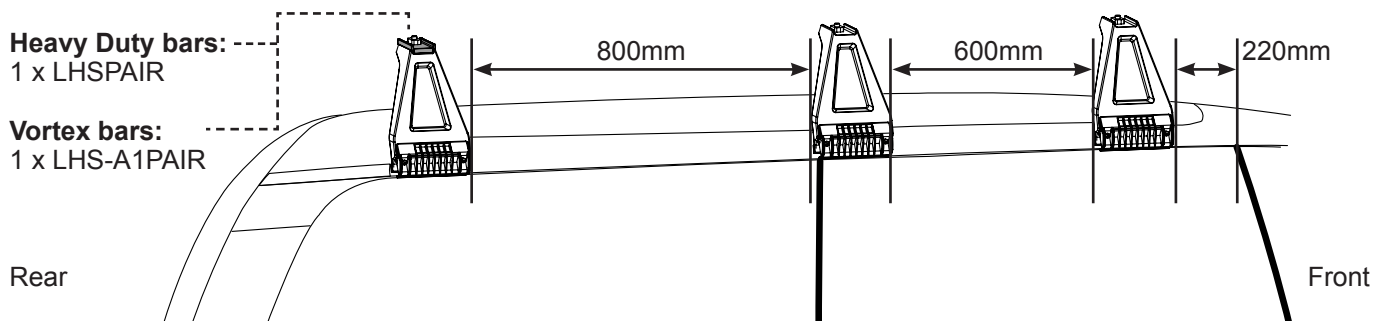
**2** Leave the rear piece of trim in place on each side of the vehicle.



**3** Set the legs in the position shown below when using 3 crossbars. The rear leg sits up against the rear piece of gutter trim. Rear legs use 1 leg height spacer per leg to make all 3 bars level.

Heavy Duty bars:  
1 x LHSPAIR

Vortex bars:  
1 x LHS-A1PAIR



Rhino-Rack  
3 Pike Street, Rydalmere,  
NSW 2116, Australia.  
(Ph) (02) 9638 4744  
(Fax) (02) 9638 4822

Document No: R725  
Prepared By: Craig Jones  
Authorised By: Chris Murty

Issue No: 01  
Issue Date: 11/05/2015

These instructions remain the property of Rhino-Rack Australia Pty. Ltd. and may not be used or changed for any other purpose than intended.