



RHINO-RACK

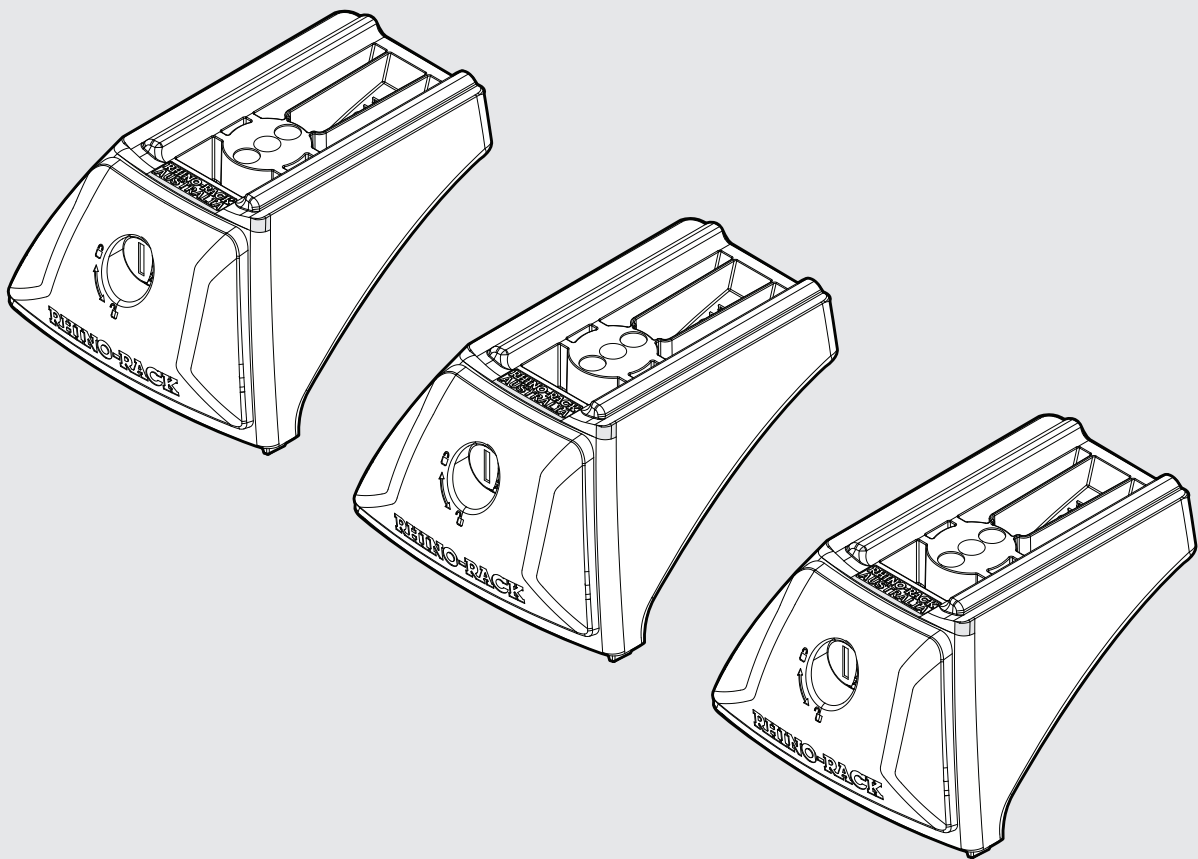
RCHT6 Leg Kit

Important:

1. Check the Rhino-Rack website to ensure you have the latest issue of these instructions.
2. Please refer to your fitting instruction to ensure that the roof racks are installed in the correct locations.
3. Check the contents of kit before commencing fitment and report any discrepancies.
4. Place these instructions in the vehicle's glove box after installation is complete.
5. These instructions must be followed for warranty to be upheld.

Fit Time: 1 hour

Instruction includes **SPORTZ** Bar steps.



Carrying Capacity

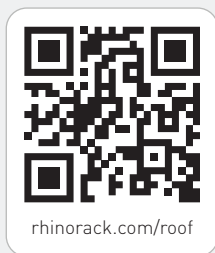
1.

Check your vehicle owners hand book for vehicle maximum carrying capacity and VISIT THE ONLINE CALCULATOR FOR CURRENT SYSTEM LOAD LIMIT DATA.



2.

Please ensure you use the vehicle manufacturer's maximum roof allowance **if it is lower than the figure listed in supplement.** Load must be evenly distributed over the platform.



1. Complete **Fit my vehicle** journey
2. Select your **Product Solution**
3. Scroll down to **'Product Details'**
4. Download instructions under the **'INSTRUCTIONS'** tab



Cargo Load Limit

Total permissible weight allowed on top, and attached to roof racks whilst the vehicle is in motion.



System Weight

Total weight of the roof rack system. (e.g. Crossbars, Backbone, Platform)



Max System Load Capacity

Please ensure you use the vehicle manufacturer's maximum roof allowance if it is lower than the figure listed in the fitting chart/supplement.

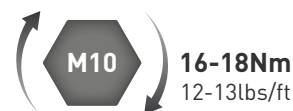


Vehicle Manufacturer's Load Limit

Total permissible weight attached to the roof of the car. This is inclusive of the weight of the roof rack system.

Torque Settings:

Unless stated otherwise in these instructions, all fasteners should be set to the following torque settings:



Warning

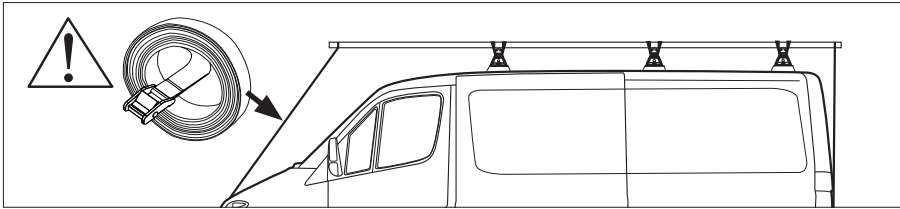
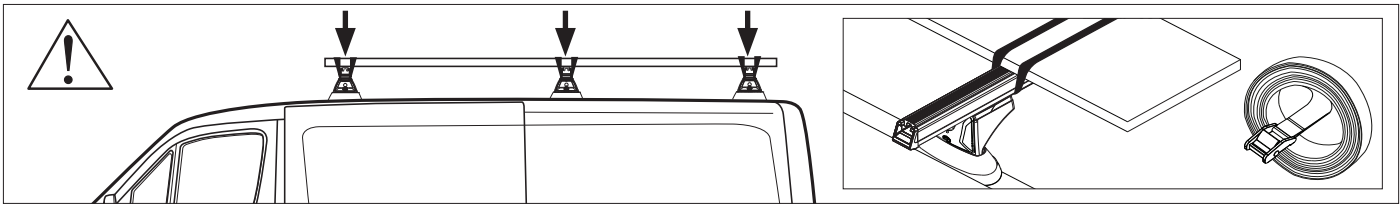
- Check part number/ or kit is correct for use with your vehicle.
- Do not attempt to fit the rack system to your vehicle unless you fully understand these fitting instructions. Please direct any questions regarding fitting to the dealer from where the roof racks were purchased.
- Although the system is tested and approved to AS1235-2000 / ISO 11154, off-road conditions can be much more rigorous. Extreme care must be taken in off road conditions.
- Roof racks must be removed when vehicle is put through an automatic car wash.
- With utility vehicles, the cabin and the canopy move independently. Roofracks and vehicle can be damaged if the item transported is rigidly fixed at points on both the cabin and canopy. Instead, rigidly fix to either the cabin roofracks or the canopy roofracks.
- Always ensure you fasten your load securely.
- Use only non-stretch fastening ropes or straps to attach cargo to your load.

In service maintenance checks

- All bolt connections should be checked after driving a short distance when you first install your roof racks.
- All bolted connections should be checked again at regular intervals (weekly is recommended, depending on road conditions, usage, loads and distances travelled).
- All bolted connections should be checked each time they are re-fitted.

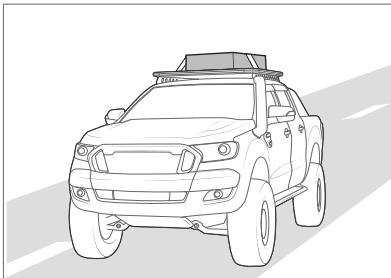
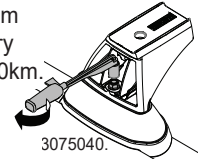
Note for Dealers and Fitters

It is your responsibility to ensure these fitting instructions are given to the end user or client. These instructions remain the property of Rhino-Rack Australia Pty. Ltd. and may not be used or changed for any other purpose than intended.



25Nm
18LB/FT

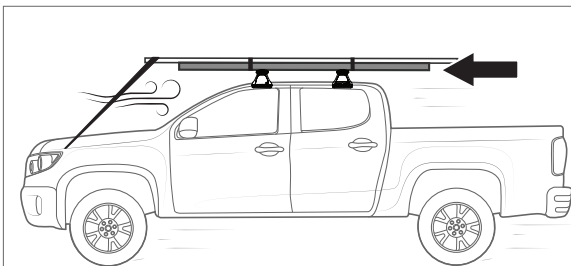
25Nm
every
1000km.



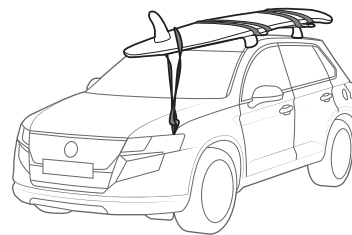
Exercise extreme care when transporting wind-resistant loads. Special consideration must be taken when cornering and braking.



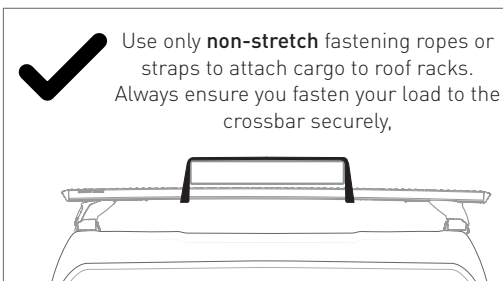
Off-road conditions can be much more rigorous. Extreme care must be taken on any driven path that does not contain a surface protection layer (tar/bitumen).



Long flexible loads must be securely attached to a **rigid support** and be tied down to the bonnet.

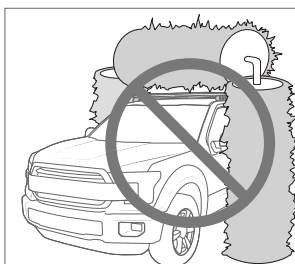
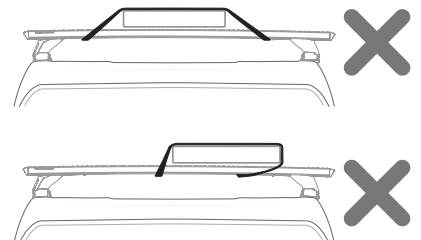
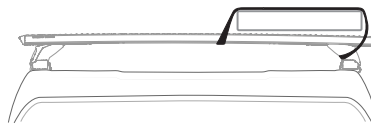


Paddle/Surfboards should be fixed to the front of the vehicle.



Use only **non-stretch** fastening ropes or straps to attach cargo to roof racks. Always ensure you fasten your load to the crossbar securely.

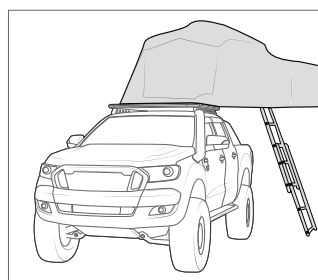
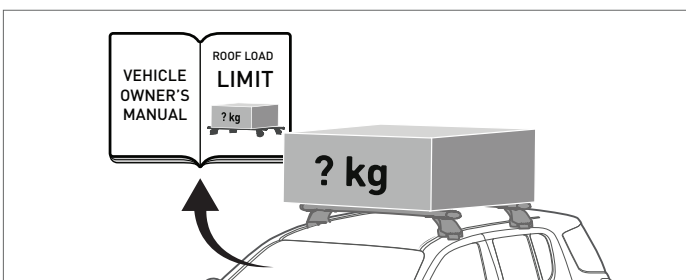
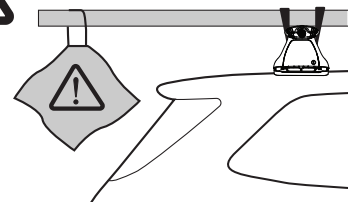
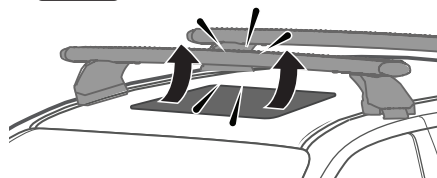
Loads must be tied down to roof rack, **NOT** around legs



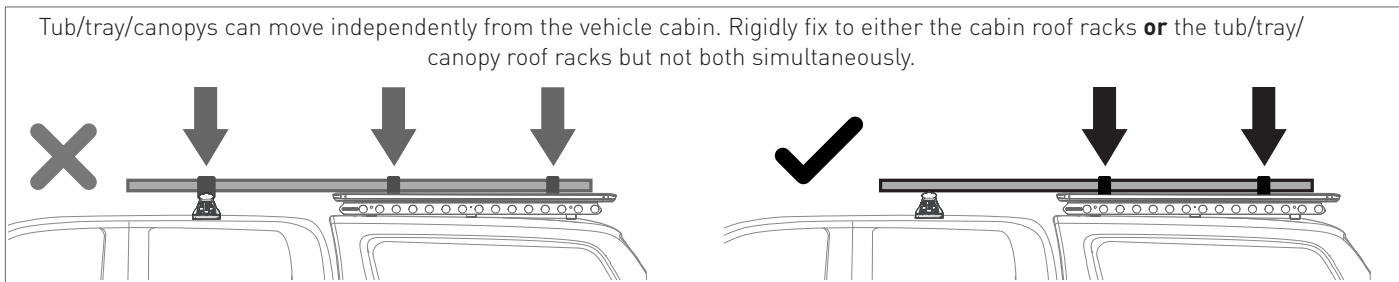
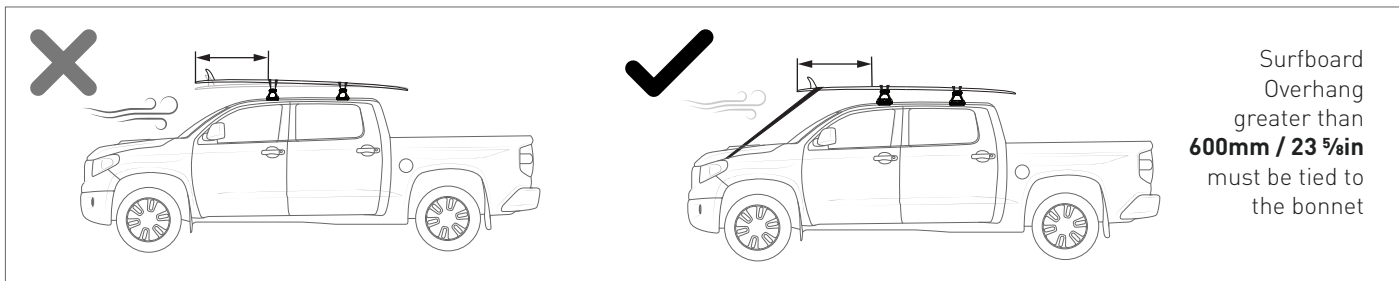
Racks must be removed when vehicle is put through an automatic car wash.



Ensure sunroof will not collide with roof rack system.



Ensure Ladder is well supported on the ground to support tent. Take extreme caution when climbing heights above 1.2m/4ft.



Fitment Information

To commence with this instruction, follow the Fit My Vehicle journey online through the QR code to find your vehicle-specific Supplement sheet.

Crossbars, Base Kits and Spacer / Adaptor Kits are sold separately.

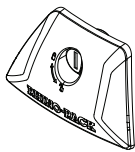
If Spacers / Adaptors are required, use hardware supplied in Spacer / Adaptor Kits.

YOUR VEHICLE-SPECIFIC SUPPLEMENT SHEET MUST BE DOWNLOADED BEFORE STARTING THIS INSTRUCTION.

1. Complete **Fit my vehicle** journey
2. Select your **Product Solution**
3. Scroll down to **'Product Details'**
4. Download supplement sheet under the **'INSTRUCTIONS'** tab.

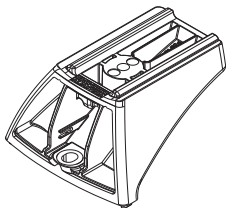
P1 RCHT6 Parts List

Locking Leg Cover M8



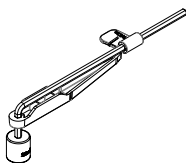
A x6

Locking Leg High - T




B x6

25Nm Torque Indicating Tool



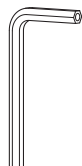
C x1

Key



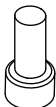
D x2

Allen Key




E x1

Socket Screw




F x6

M6 Spring Washer



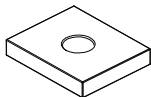
G x6

M6 x 16mm Flat Washer



H x6

M6 24mm x 24mm Nut



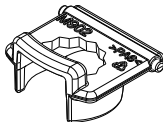
I x6

M8 Leg Washer




J x6

M8 Anti Rotation Cover



K x6

Instructions



L x1

P2 RCP PARTS
(Included in Base Kit)

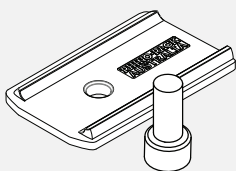
RCP Base Kit



M x6

P3 SPACER / ADAPTOR PARTS (if required)
(Included in Spacer / Adaptor Kit)

Spacer / Adaptor



N x6

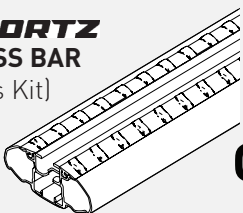
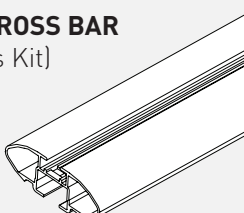
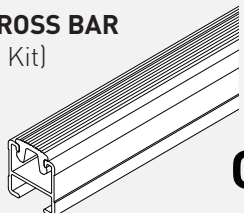

TOOLS REQUIRED:

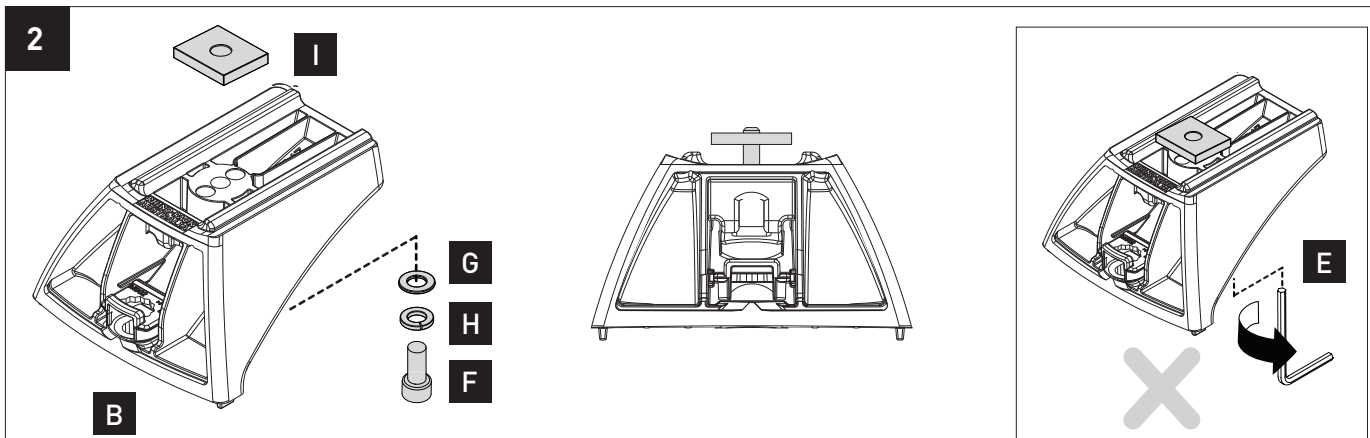
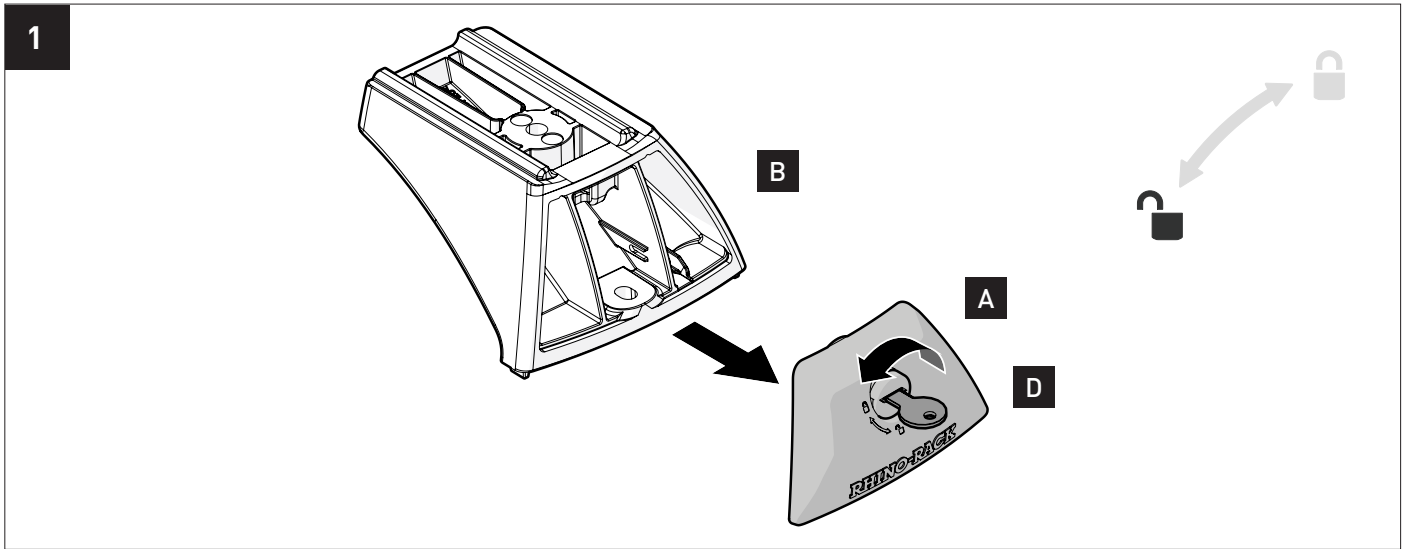
- T1 - Scissors / Cutters
- T2 - Measuring Tape

NOTE:

Images throughout instructions are an example only. RCHT6 Leg kit can be fitted to either track or pad kits, sold as separate. Base kit image is for illustration purposes only, the specific base pad used could vary.

P4 CROSS BAR (Included in Bars Kit)

<p>SPORTZ CROSS BAR (Bars Kit)</p>  <p>O x3</p>	OR	<p>VA CROSS BAR (Bars Kit)</p>  <p>O x3</p>	OR	<p>HD CROSS BAR (Bars Kit)</p>  <p>O x3</p>	OR	<p>RD CROSS BAR (Bars Kit)</p>  <p>O x3</p>
--	----	--	----	---	----	--



NOTE

If Spacers are required and your Spacer Kit comes with socket screws, use them instead of the Leg Kit socket screws. **F**

M6 channel nut

Heavy Duty Fitment

Refer to online supplement sheet to find out which spacer or adaptor to use.



DEALER INFORMATION

Leg	RCHT6	RCHT6	RCHT6
Spacer	GMVA5S	GMVA5S	GMVA5S

NOTES FOR DEALERS / FITTERS Document No. RL971 Issue No. 14
It is your responsibility to ensure these fitting instructions are given to the first user of vehicle. © 2014 Rhinorack Australia Pty. Ltd. and may not be used or changed for any other purpose than intended. Issue Date: 13 May 2014

RCHT6 CROSSBAR SUPPLEMENT

Vehicle	RCHT6	RCHT6	RCHT6
Model	4x4	4x4	4x4
Year	2011 - 2014	2011 - 2014	2011 - 2014
Wheelbase	2500	2500	2500
Maximum Load	120 kg	110 kg	73 kg
Weight	265 lb	242 lb	161 lb

BASE KIT INFORMATION

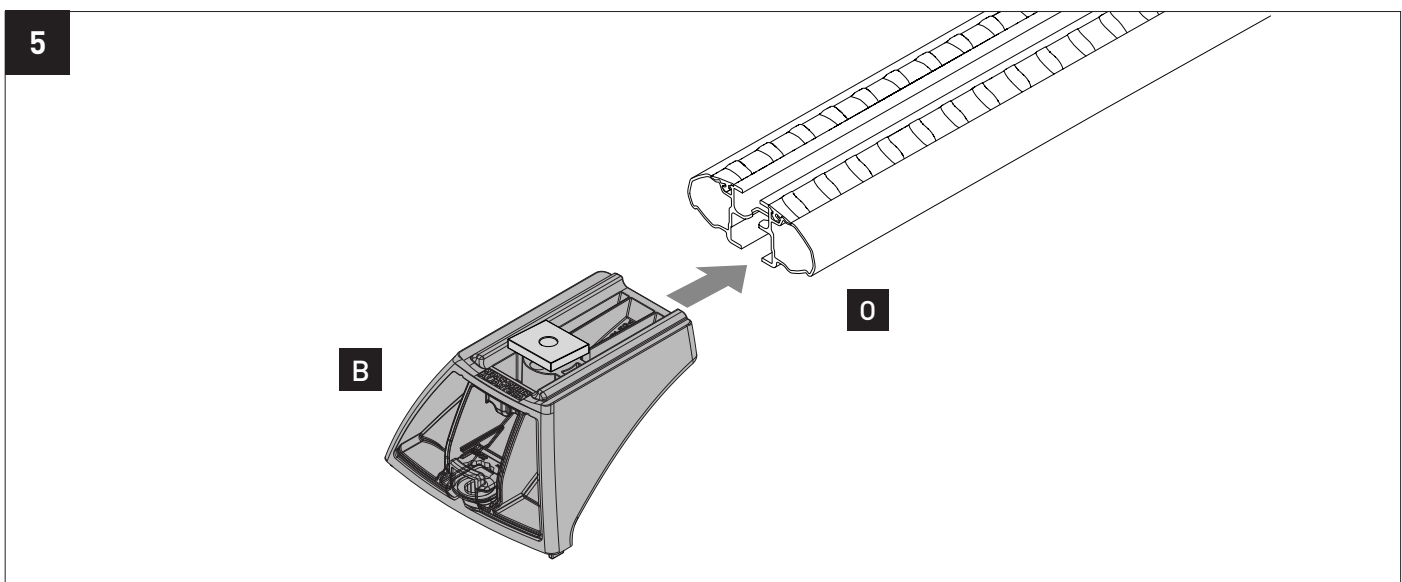
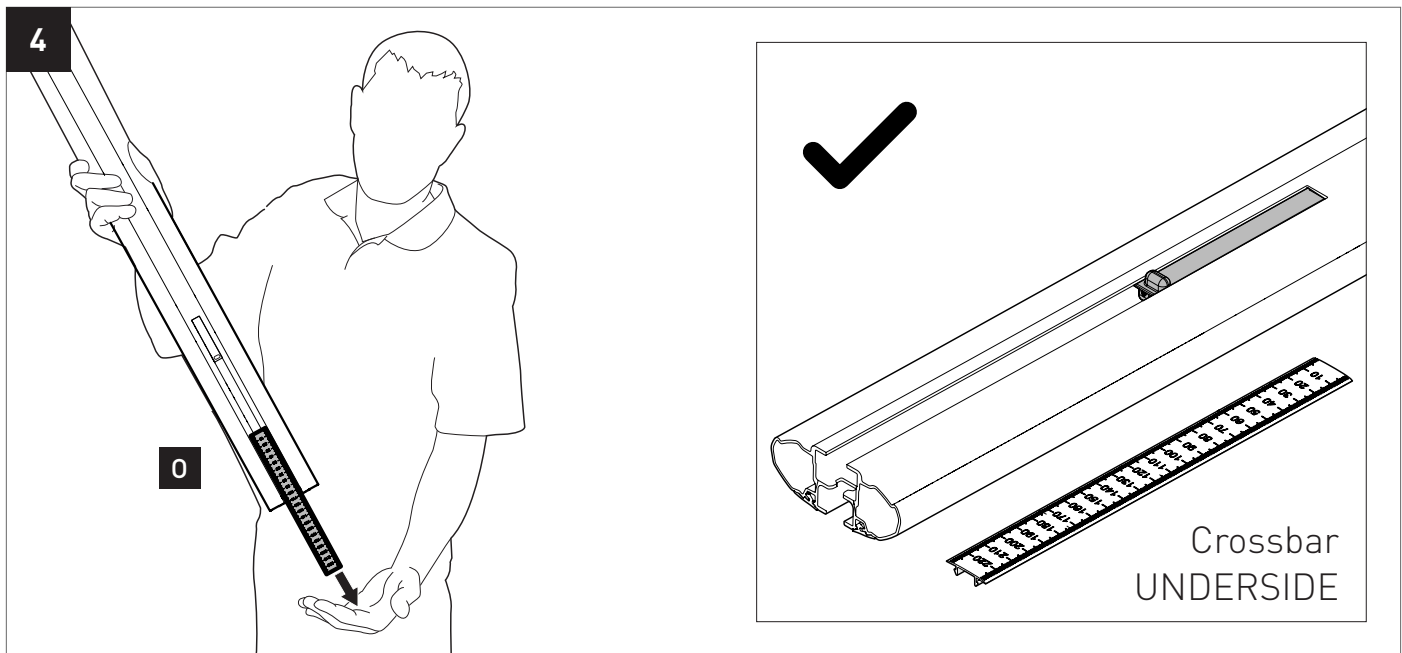
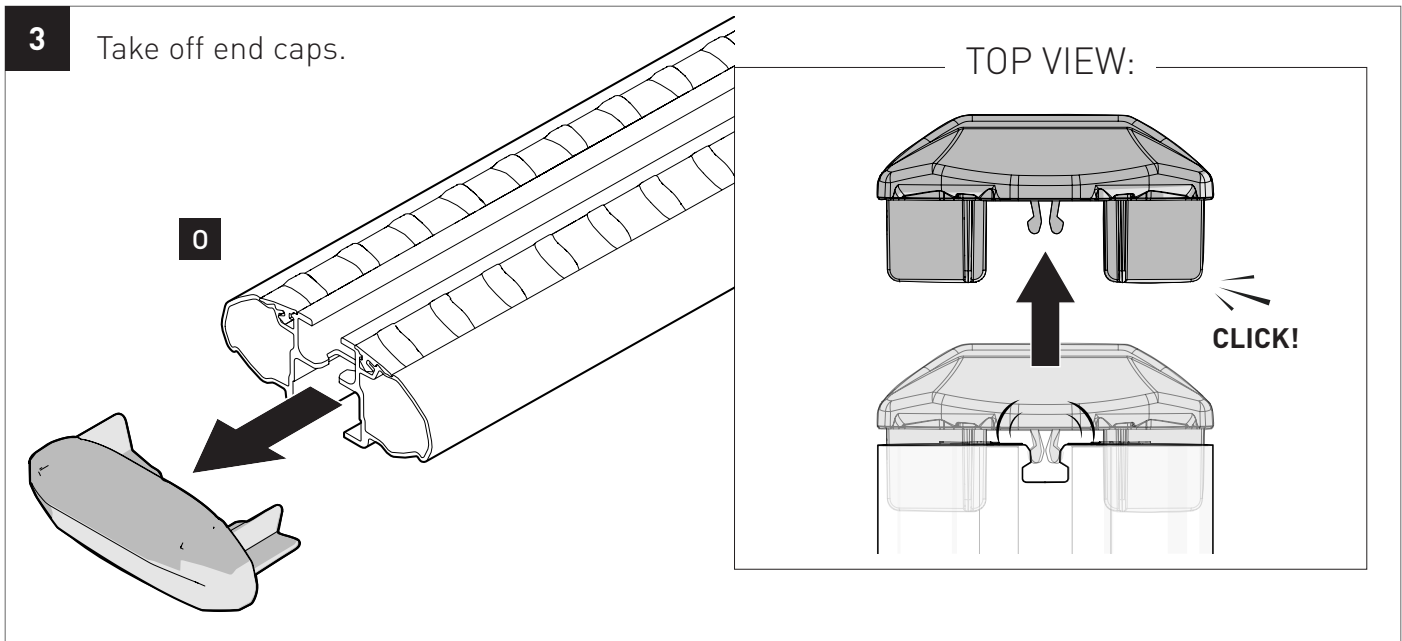
Make sure to RCHT6 instructions to complete fitting.

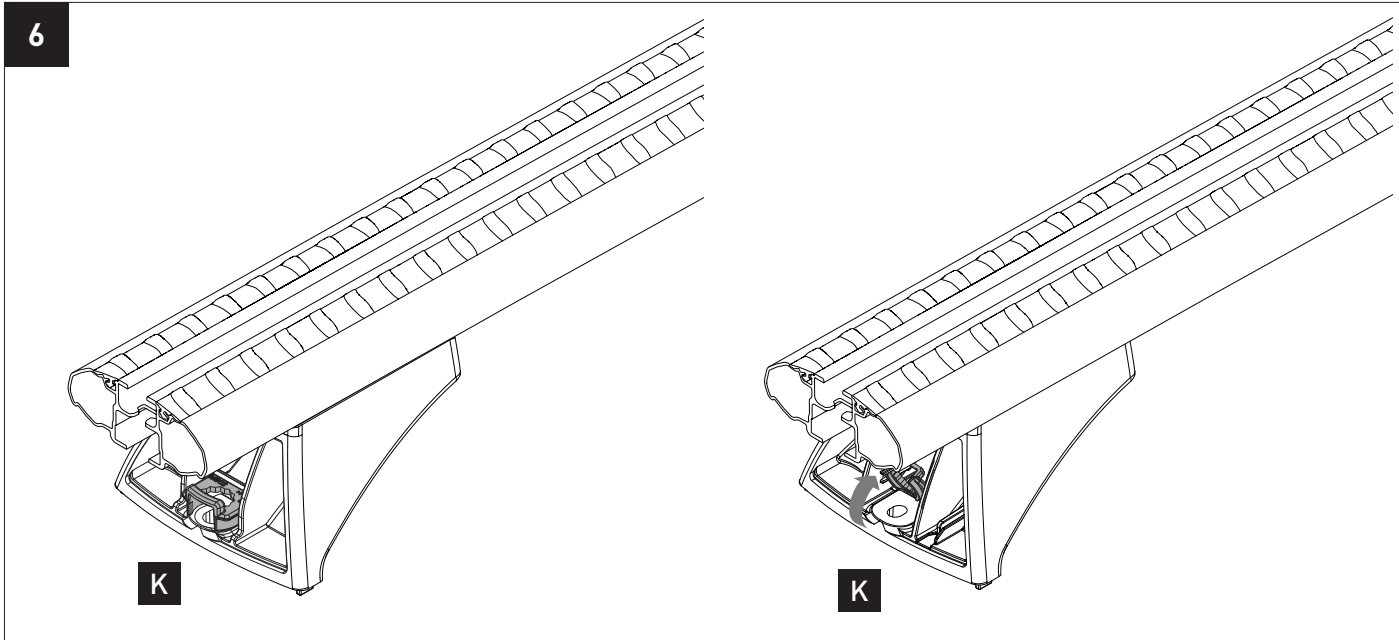
NOTES FOR DEALERS / FITTERS

EXAMPLE

FOR INSTALLATION WITH SPORTZ AND RECONN-DECK BARS

(For VORTEX Bar, skip to Step **15** , For HD Bar, skip to Step **25**)



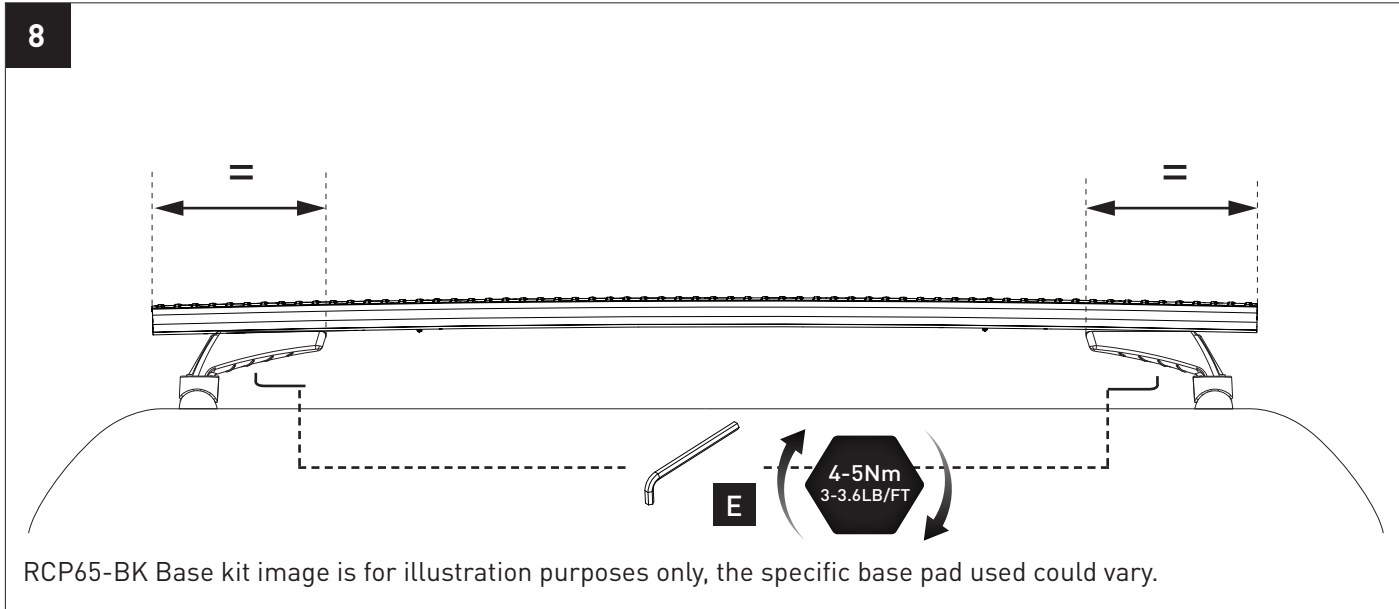


7 Complete the Fit my vehicle journey and refer to your vehicle-specific supplement sheet for the hardware to secure RCHT6 leg to the RCP Base.

RCHT6 leg
M8 Flanged Nut (supplied in base kit)
M8 Leg Washer (supplied in leg kit)

NOTE:
Scan this QR code to follow the Fit my vehicle journey online.

rhinorack.com/roof



9

K **K**

For **RECONN-DECK** once completed, skip to Step **12**

10

Example length

T1 = **T1**

NOTE: Ensure both ends are equal.

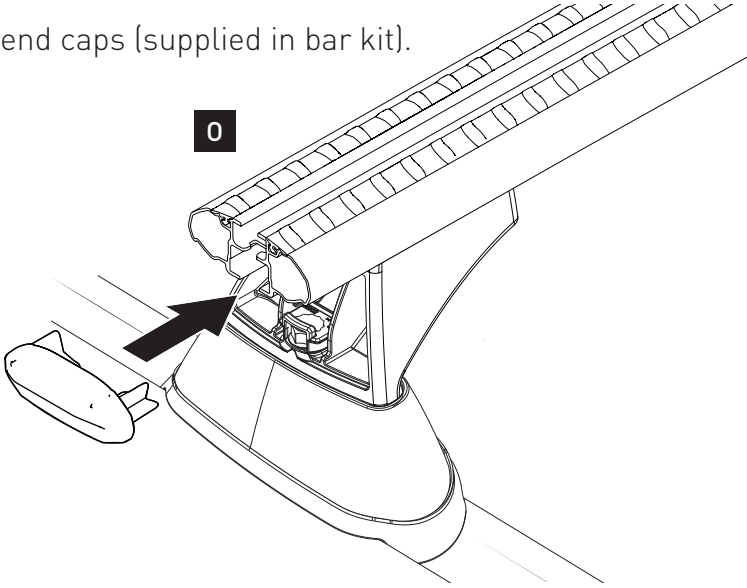
LEFT RIGHT

NOTE: Cut measurement strip flush with the edge of the bar.

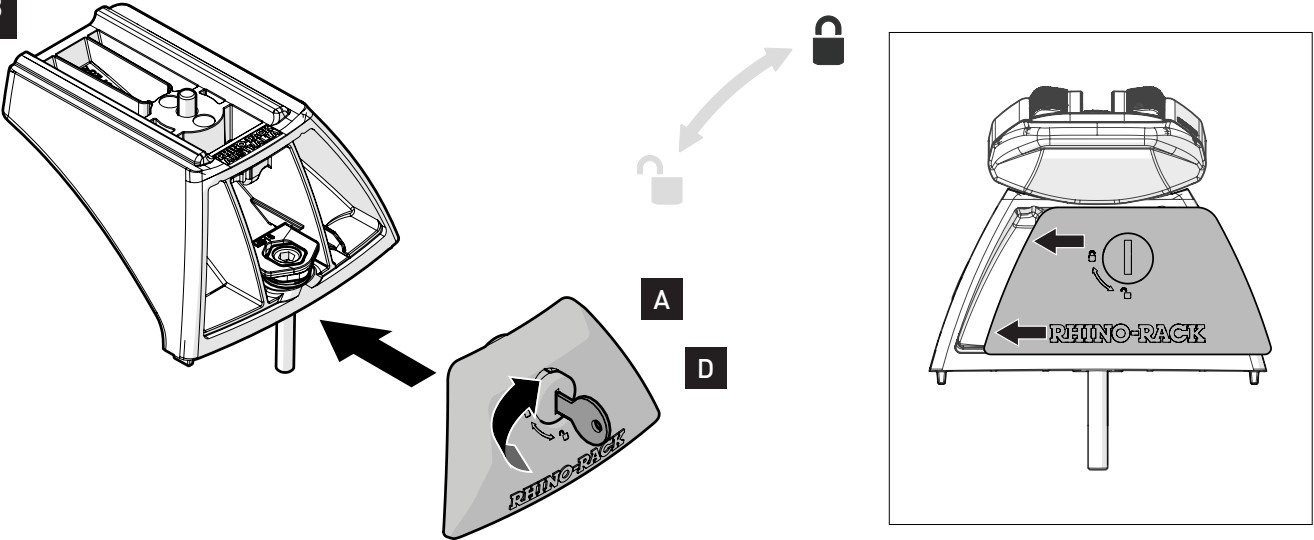
T1 RHINO RACK

11

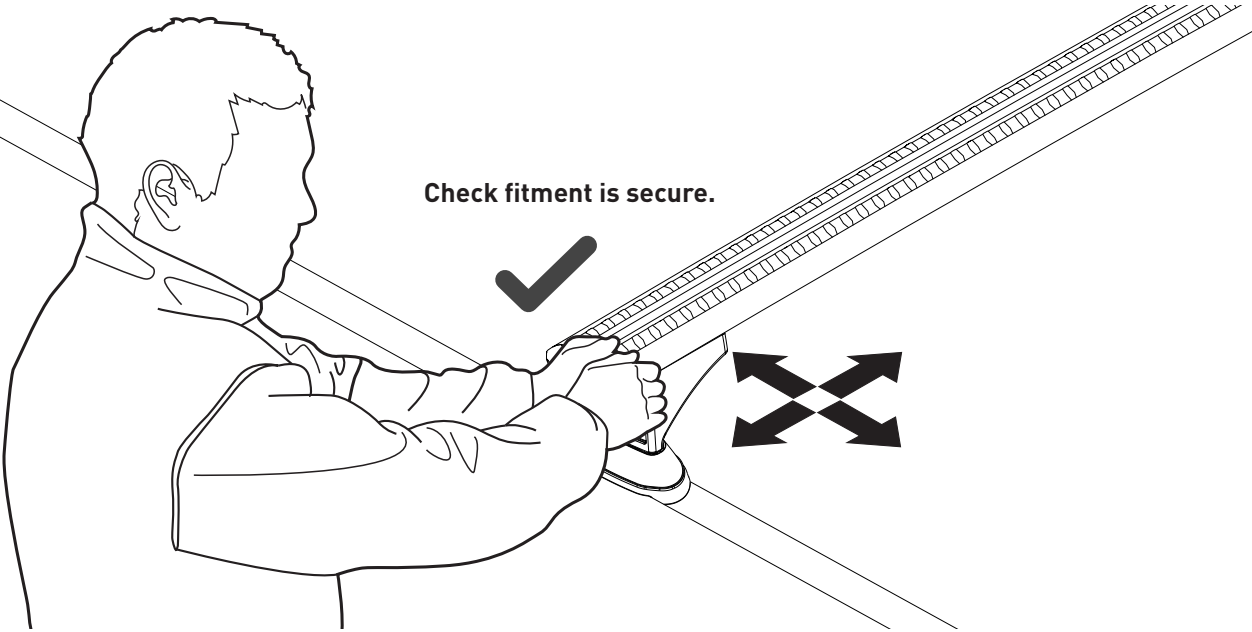
12 Insert end caps (supplied in bar kit).



13



14



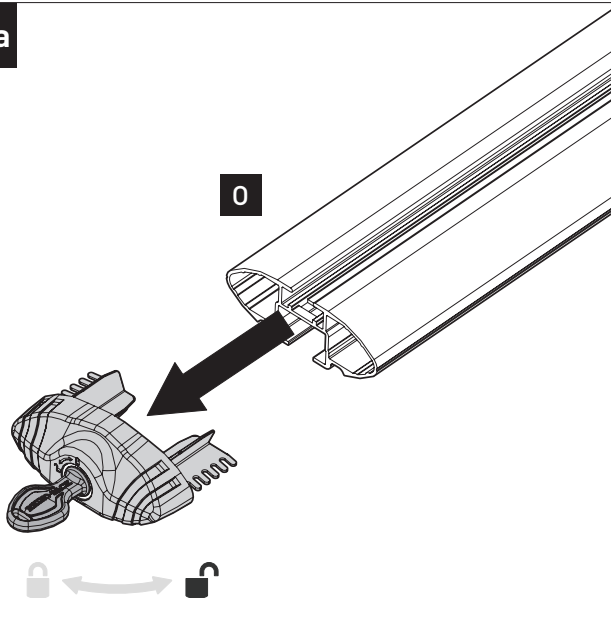
 **SPORTZ** Bar Installation Complete. 

FOR VORTEX BAR INSTALLATION

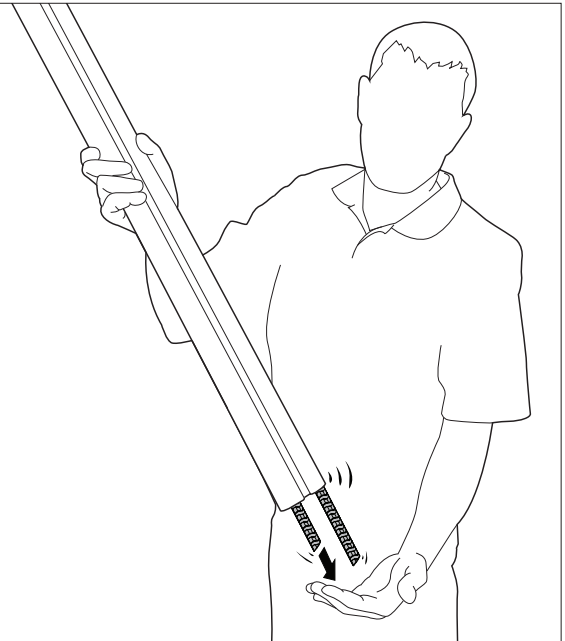
(For HD Bar, skip to Step **25**)

15

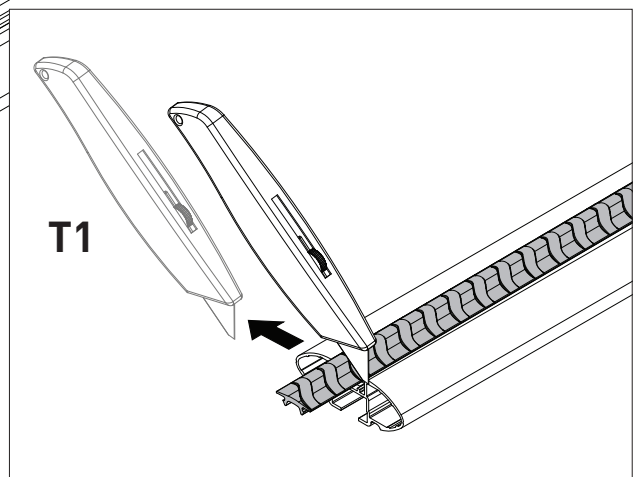
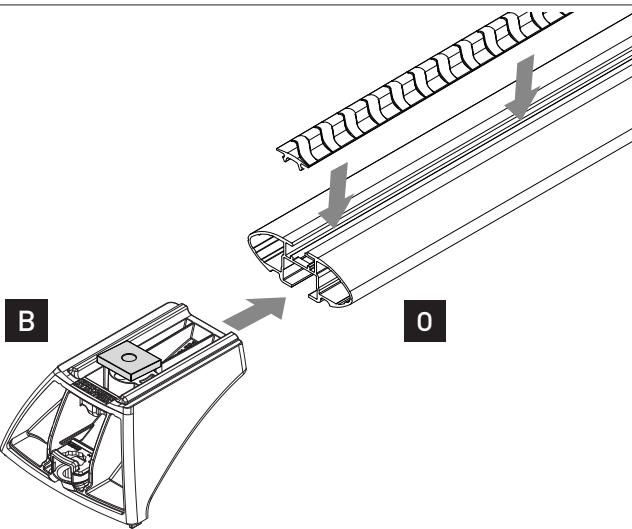
15a



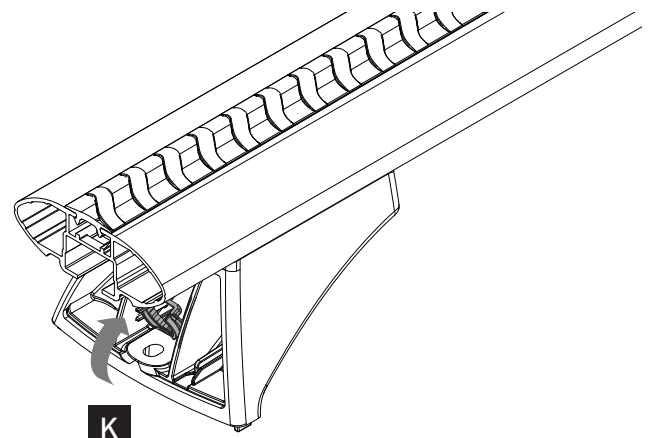
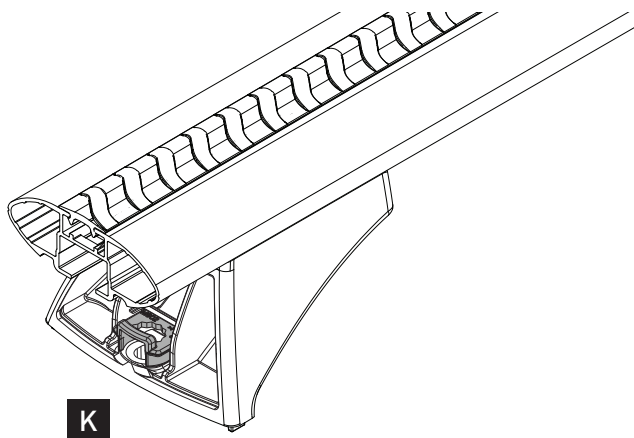
15b



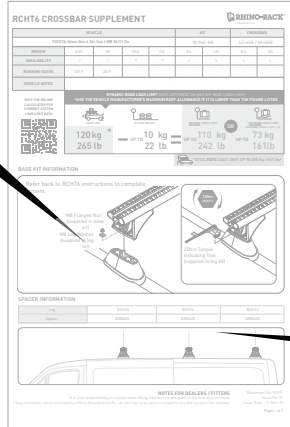
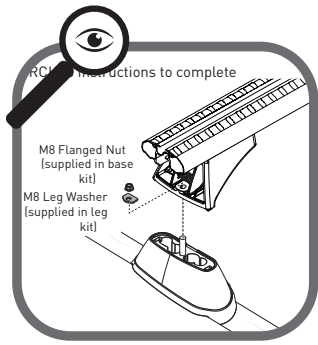
16



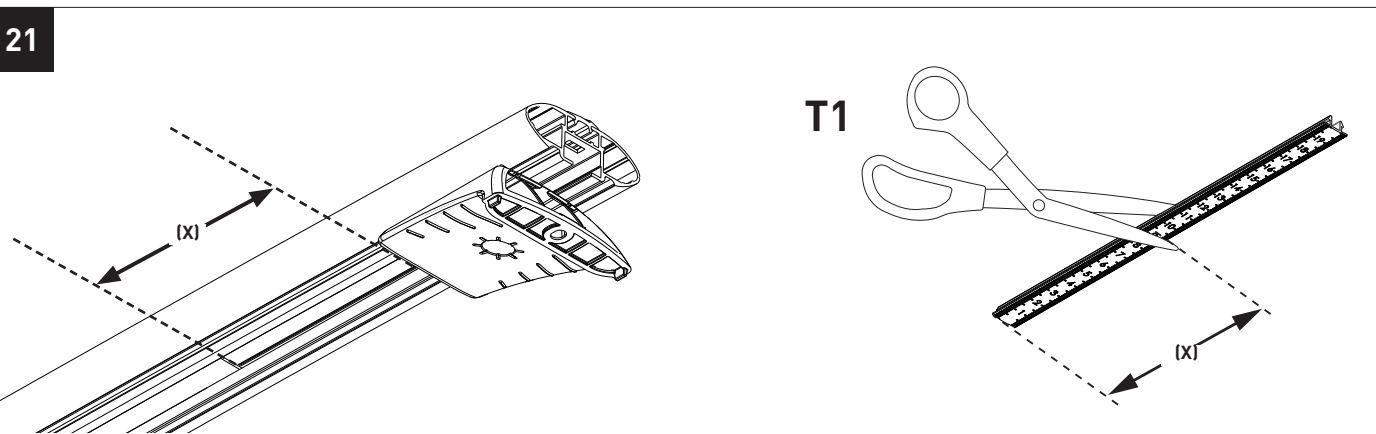
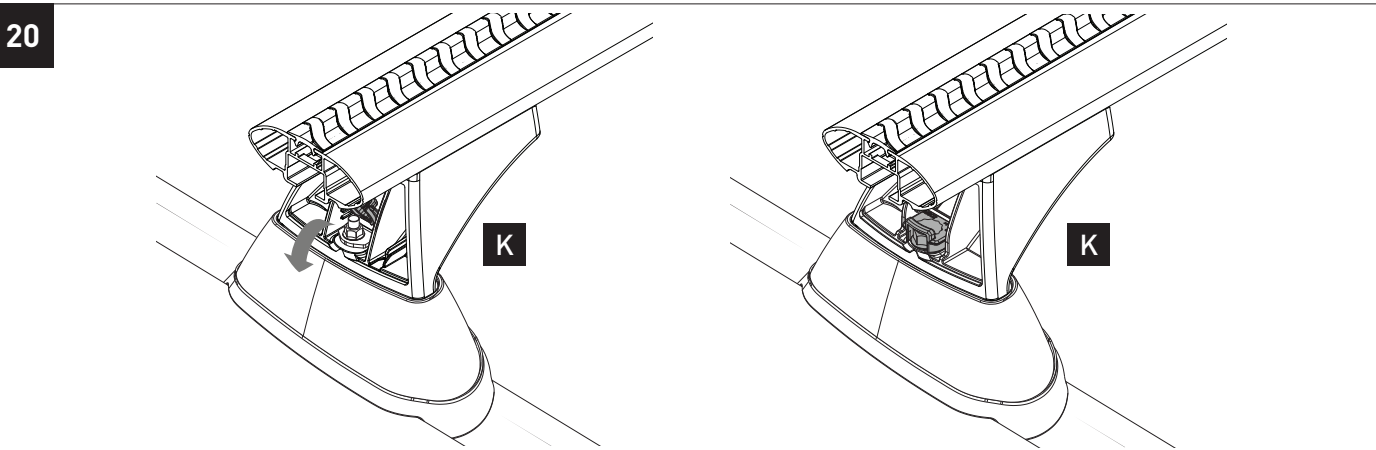
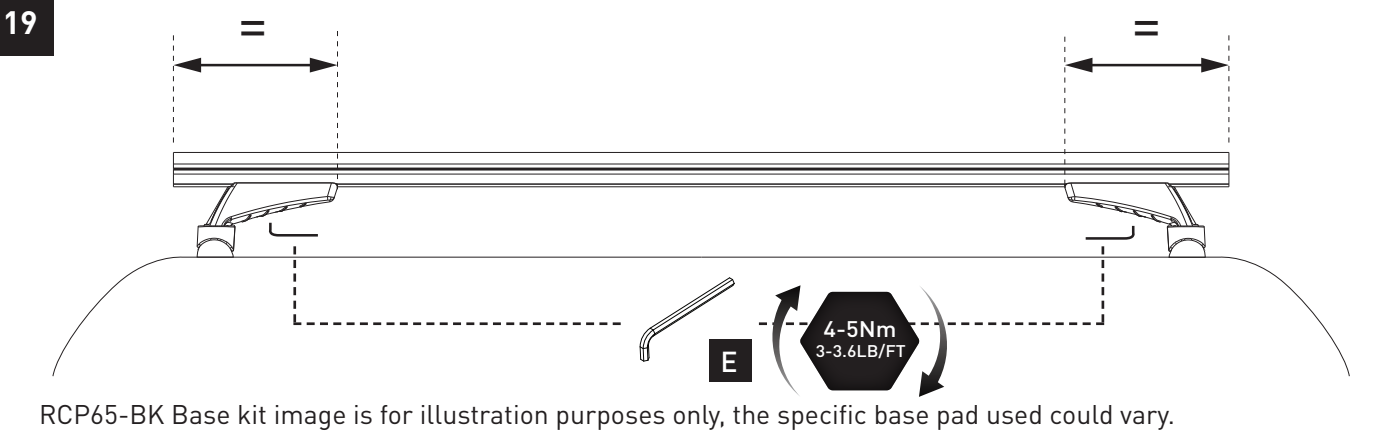
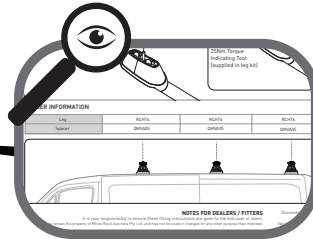
17



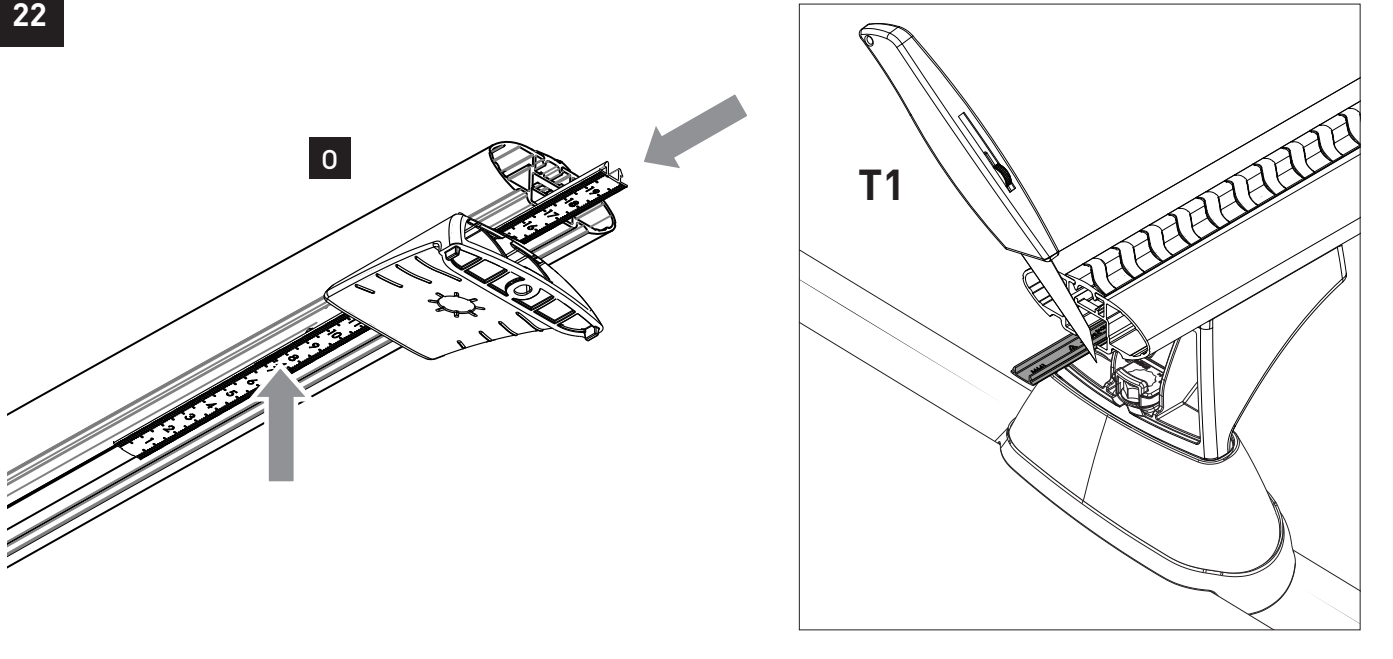
18 Complete the Fit my vehicle journey and refer to your vehicle-specific supplement sheet for the hardware to secure RCHT6 leg to the RCP Base.



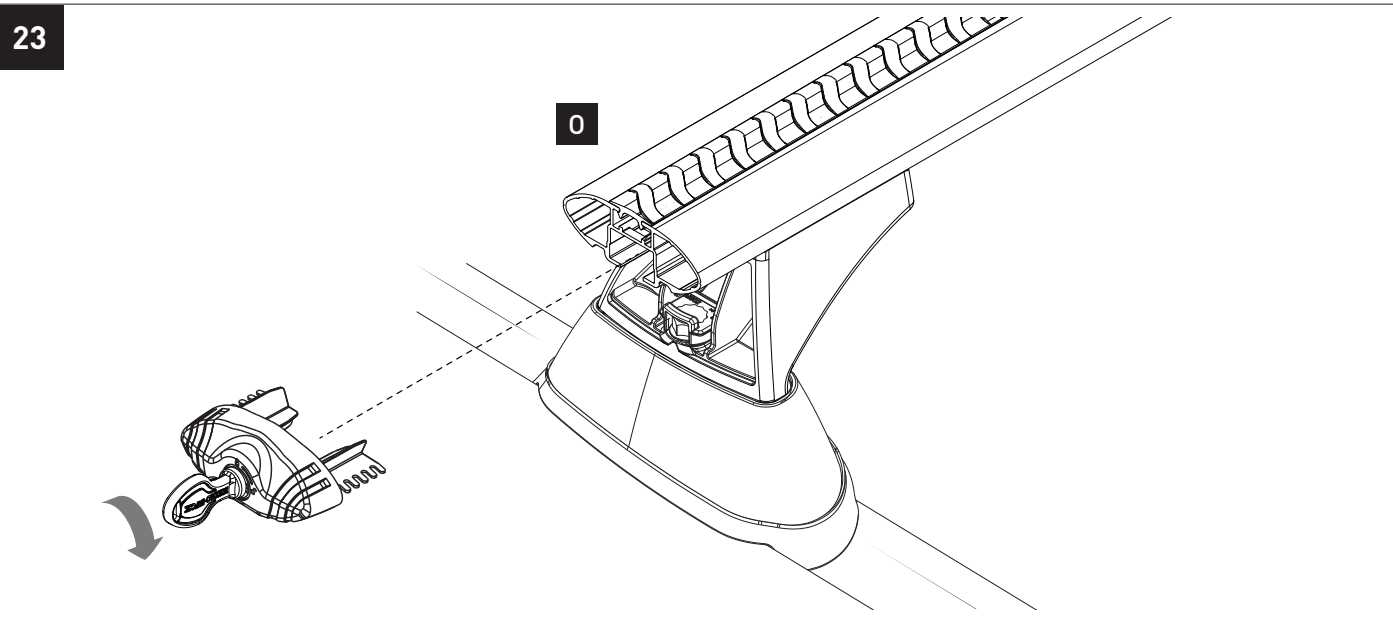
NOTE:
Scan this QR code to follow the Fit my vehicle journey online.



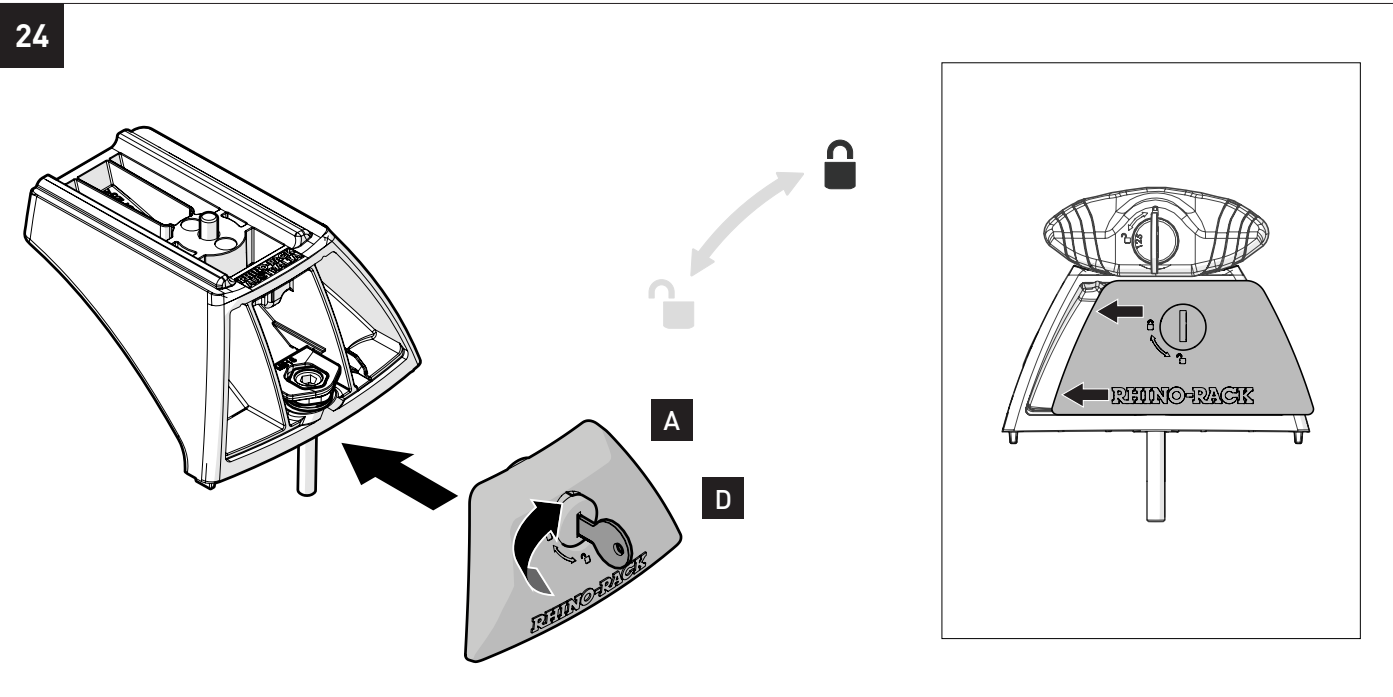
22



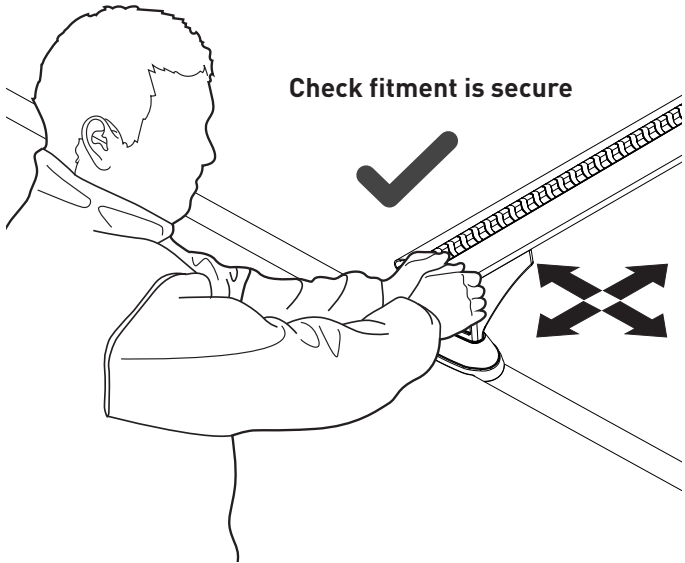
23



24



25



HD Crossbar Setup

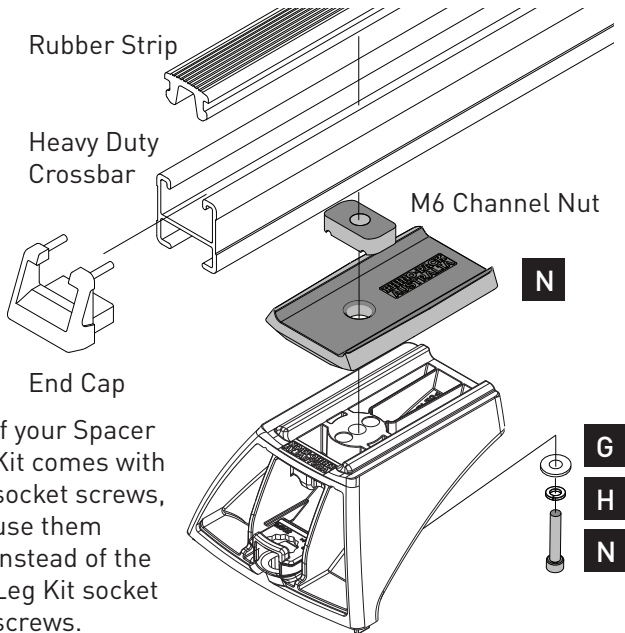
Rubber Strip

Heavy Duty Crossbar

M6 Channel Nut

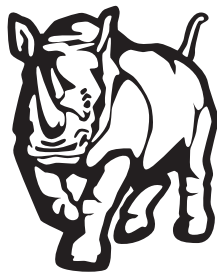
End Cap

If your Spacer Kit comes with socket screws, use them instead of the Leg Kit socket screws.



Vortex Bar Installation Complete.

NOTES



RHINO-RACK®

MAKE SPACE FOR ADVENTURE

RHINORACK.COM

Rhino-Rack AUSTRALIA

22A Hanson Pl,
Eastern Creek, NSW, 2766

Rhino-Rack USA

19822 E 22nd Ave,
Aurora, CO, 80011