



**RHINO-RACK**  
Aerodynamic & Heavy Duty Roof Rack Systems

## CADDY04 & CADDY05 - Rhino Canopy Leg Kit

**Important:** Please read these instructions carefully prior to installation.  
Please refer to your fitting instruction to ensure that the roof racks are installed in the correct locations.  
Check the contents of kit before commencing fitment and report any discrepancies.  
Place these instructions in the vehicle's glove box after installation is complete.

### Important Information

**Maximum carrying capacity:** 75kg evenly distributed over the cross bars. Please refer to your vehicle manufacturers handbook for maximum roof loading. Always use the lower of the two figures.

**Recommendations:**

It is essential that all bolt connections be checked after driving a short distance when you first install your cross bars. Bolt connections should be checked again at regular intervals (probably once a week is enough, depending on road conditions, usage, loads and distances travelled). You should also check the cross bars each time they are refitted. Make sure to fasten your load securely. Please ensure that all loads are evenly distributed and that the centre of gravity is kept as low as possible.

**Use only non-stretch fastening ropes or straps.**

**Caution:** The handling characteristics of the vehicle changes when you transport a load on the roof. For safety reasons we recommend you exercise extreme care when transporting wind-resistant loads. Special consideration must be taken into account when cornering and braking.

**Please remove cross bars when putting vehicle through an automatic car wash.**

**Load Ratings:**

Maximum permissible load is 75kg for two cross bars including the weight of the cross bars, 5kg. When cross bars are to be used in off-road conditions, please build a safety factor of 1.5 into this load limit for off-road use, two cross bars = **50kg**. Although the cross bars are tested and approved to AS1235-2000, Off road conditions can be much more rigorous. However, increasing the number of cross bars does not increase the vehicles maximum permissible roof loading.

**Note for Dealers and Fitters:**

It is your responsibility to ensure instructions are given to the end user or client.

Rhino-Rack  
3 Pike Street, Rydalmere,  
NSW 2116, Australia.  
(Ph) (02) 9638 4744  
(Fax) (02) 9638 4822

Document No: R033  
Prepared By: Craig Jones  
Authorised By: Gary England

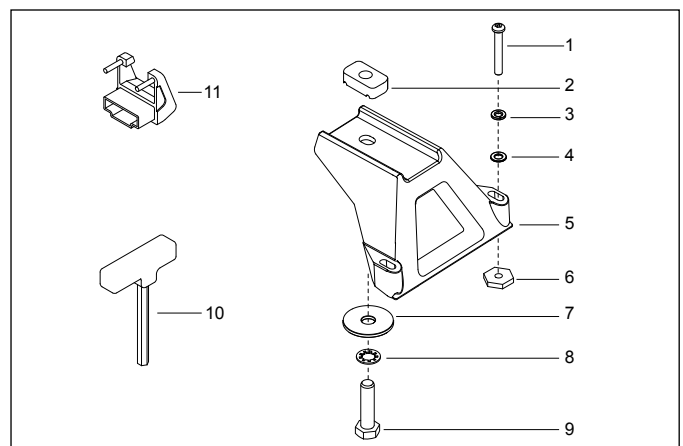
Issue No: 02  
Issue Date: 23/09/2010

These instructions remain the property of Rhino-Rack Australia Pty. Ltd. and may not be used or changed for any other purpose than intended.

**Care Instruction:** Wash canopy and track prior to installation.

**Parts List**

Item	Component Name	Qty	Part No.
1	M6 x 32mm security screw	4	B064
2	M10 channel nut	2	N024
3	M6 spring washer	4	W004
4	M6 x 12.5mm flat washer	4	W003
5	RLTF/RLTP leg	2	M010C/M057C
6	M6 brass hex nut	4	N036
7	M10 x 38mm Flat Washer	2	W022
8	M10 Internal Shakeproof Washer	2	W021
9	M10 x 25mm Hex Bolt	2	B071
10	5mm Security Allen Key	1	SECKEY-S
11	Heavy duty cross bar end cap	2	M002
12	Fitting Instruction	1	R033



**Tools Required:**  
5mm Security Allen key, provided in kit.      5/8 or 16mm spanner.      Flat head screwdriver.  
Measuring tape.

