



RHINO-RACK®

LAND ROVER Defender 130 L663 Leg Fitting Supplement

REFER TO RCP73-BK BASE KIT INSTRUCTION FOR LEG ATTACHMENT HARDWARE: **E**

TOOLS REQUIRED:

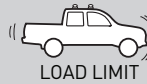
T1 - 10mm Socket Wrench

T2 - Tape Measure

2 BARS 

DYNAMIC CROSS BAR LOAD LIMIT (ON AND OFF ROAD):

*USE THE VEHICLE MANUFACTURER'S MAXIMUM ROOF ALLOWANCE IF IT IS LOWER THAN THE FIGURE LISTED



OR



UP TO **95 KG**
209 lbs

+

5 KG
11 lbs

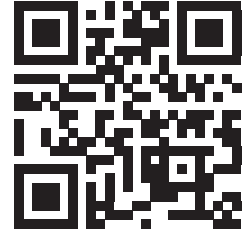
=

UP TO **100 KG**
220 lbs

*VEHICLE
MANUFACTURER'S
ROOF LOAD LIMIT



STATIC LOAD LIMIT: UP TO 250 KG / 550 LBS*

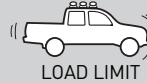


VISIT THE ONLINE
CALCULATOR FOR
CURRENT SYSTEM
LOAD LIMIT DATA

3 BARS 

DYNAMIC CROSS BAR LOAD LIMIT (ON AND OFF ROAD):

*USE THE VEHICLE MANUFACTURER'S MAXIMUM ROOF ALLOWANCE IF IT IS LOWER THAN THE FIGURE LISTED



OR



UP TO **92.5 KG**
204 lbs

+

7.5 KG
16.5 lbs

=

UP TO **100 KG**
220 lbs

*VEHICLE
MANUFACTURER'S
ROOF LOAD LIMIT

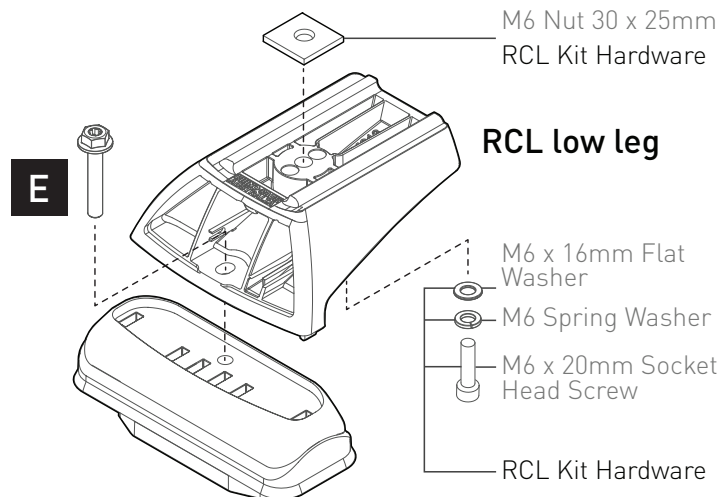


STATIC LOAD LIMIT: UP TO 250 KG / 550 LBS*

1a

2 BARS 

FRONT and REAR



RCP73-BK

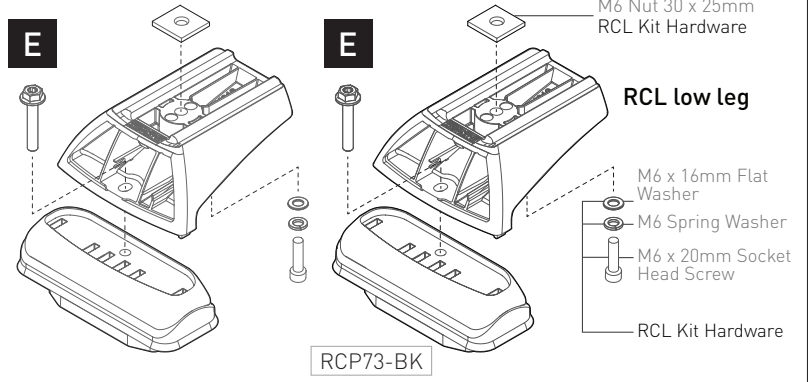
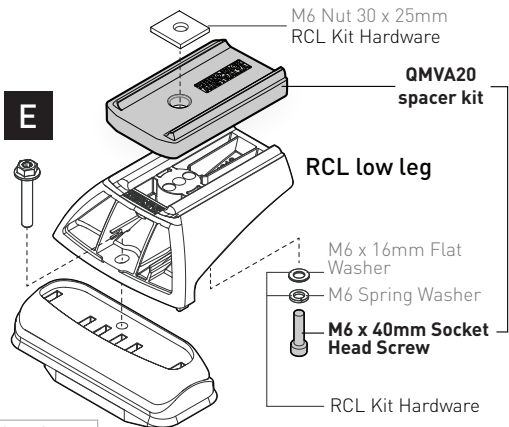
1b

3 BARS



REAR

MIDDLE and FRONT



RCP73-BK

RCP73-BK

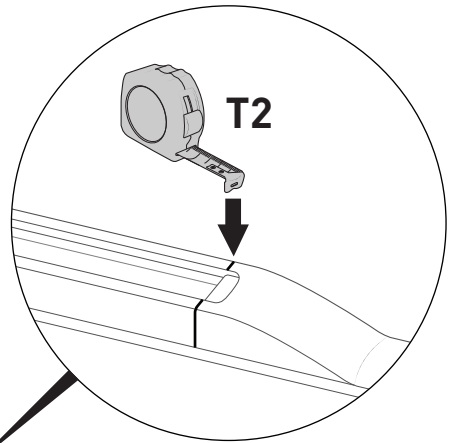
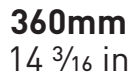
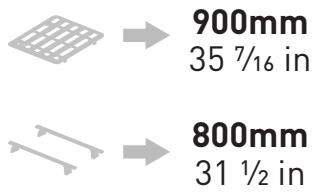
2a

2 BARS



OR

62100



FRONT

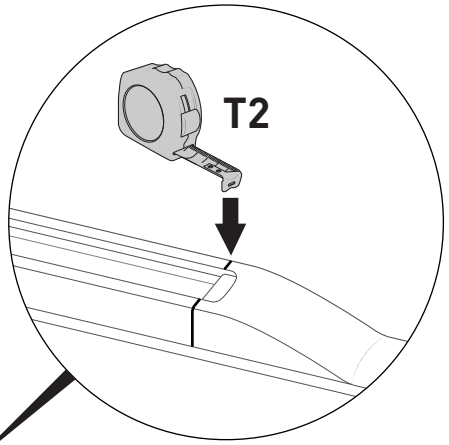
2b

3 BARS



OR

62107



FRONT