



RHINO-RACK®

LAND ROVER Defender 90 L663 Leg Fitting Supplement

REFER TO RCP73-BK BASE KIT INSTRUCTION FOR LEG ATTACHMENT HARDWARE:

E

TOOLS REQUIRED:

T1 - 10mm Socket Wrench

T2 - Tape Measure

DYNAMIC CROSS BAR LOAD LIMIT (ON AND OFF ROAD):
*USE THE VEHICLE MANUFACTURER'S MAXIMUM ROOF ALLOWANCE IF IT IS LOWER THAN THE FIGURE LISTED

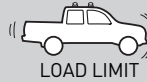


CARGO



SYSTEM WEIGHT

UP TO **95 KG**
209 lbs + **5 KG**
11 lbs =



LOAD LIMIT

OR



*VEHICLE
MANUFACTURER'S
ROOF LOAD LIMIT

UP TO **100 KG**
220 lbs



STATIC LOAD LIMIT: UP TO 250 KG / 550 LBS*



VISIT THE ONLINE
CALCULATOR FOR
CURRENT SYSTEM
LOAD LIMIT DATA

1

REAR

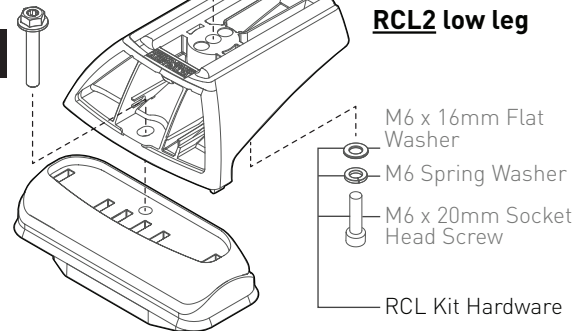
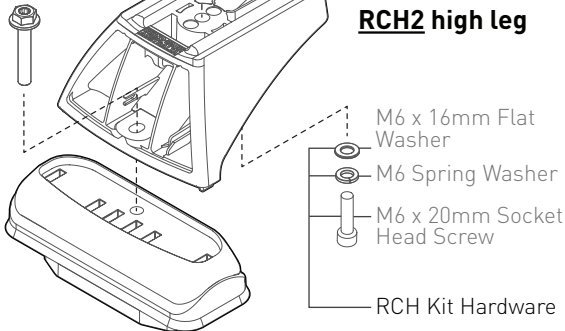
FRONT

M6 Nut 30 x 25mm
RCH Kit Hardware

M6 Nut 30 x 25mm
RCL Kit Hardware

RCH2 high leg

RCL2 low leg



RCP73-BK

RCP73-BK

2



OR

62109

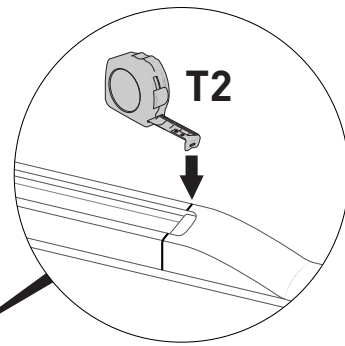


1045mm
41 1/8 in

800mm
31 1/2 in

245mm
9 5/8 in

T2



FRONT

Rhino-Rack AUSTRALIA
22A Hanson Pl,
Eastern Creek, NSW, 2766
rhinorack.com.au

Rhino-Rack USA
Unit D, 2450 Airport Blvd,
Aurora, CO, 80011
rhinorack.com

Document No: 520-RFI-00167
Issue No: 01
Issue Date: 26/09/23