

RHINO-RACK®

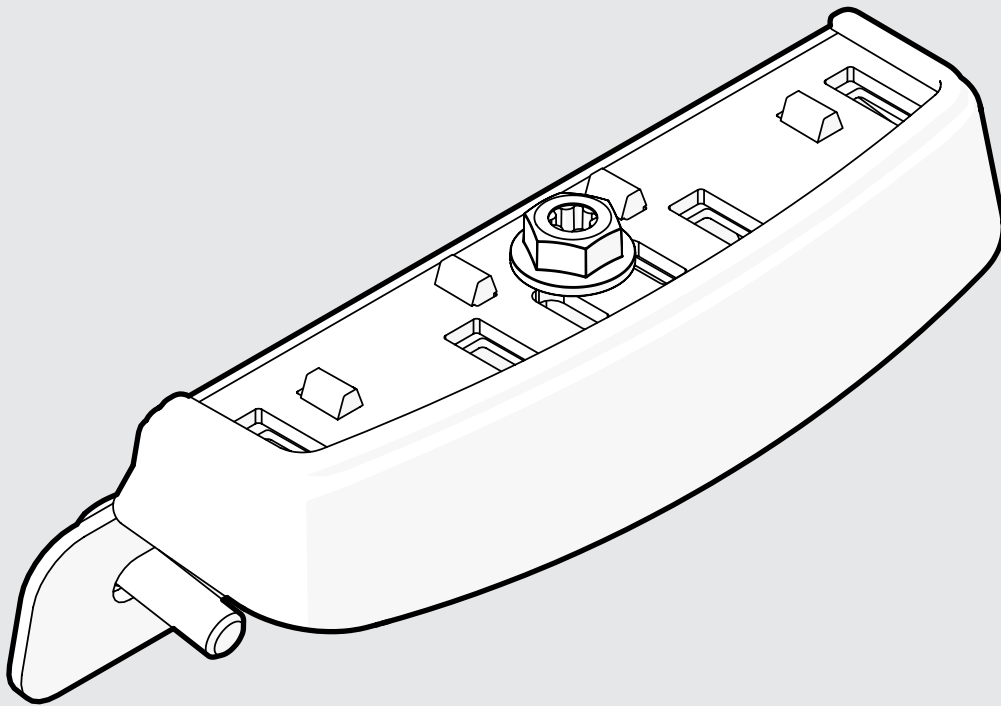
Honda CR-V Gen5/Gen6 Base Kit

RCP89-BK

Important:

1. Check the Rhino-Rack website to ensure you have the latest issue of these instructions.
2. Please refer to your fitting instruction to ensure that the roof racks are installed in the correct locations.
3. Check the contents of kit before commencing fitment and report any discrepancies.
4. Place these instructions in the vehicle's glove box after installation is complete.
5. These instructions must be followed for warranty to be upheld.

Fit Time: 30 mins



RHINORACK.COM

Doc. No: 520-RFI-00178

Issue No: 01

Issue Date: 30/01/2024

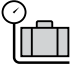
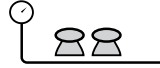



Carrying Capacity

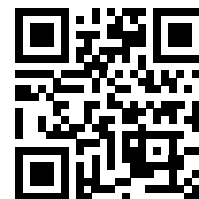
Check your vehicle owners hand book for vehicle maximum carrying capacity. Please ensure you use the vehicle manufacturer's maximum tub allowance if it is lower than the figure listed below.

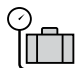



Load must be evenly distributed over the system.

DYNAMIC CROSS BAR LOAD LIMIT (ON AND OFF ROAD):

***USE THE VEHICLE MANUFACTURER'S MAXIMUM ROOF ALLOWANCE IF IT IS LOWER THAN THE FIGURE LISTED**

 CARGO	 SYSTEM WEIGHT	 LOAD LIMIT		 Max kg
UP TO 75 KG 165 lbs	+ 5 KG 11 lbs	= 80 KG 176 lbs	*VEHICLE MANUFACTURER'S ROOF LOAD LIMIT	



 Cargo Load Limit	 System Weight	 Max System Load Capacity	 Vehicle Manufacturer's Load Limit
Total permissible weight allowed on top, and attached to roof racks whilst the vehicle is in motion.	Total weight of the roof rack system. (Crossbars, Backbone, Platform)	Please ensure you use the vehicle manufacturer's maximum tub allowance if it is lower than the figure listed in the fitting chart.	Total permissible weight attached to the tub of the car. This is inclusive of the weight of the roof rack system.

Warning

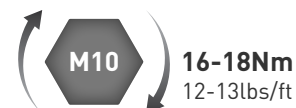
- Check part number or kit is correct for use with your vehicle.
- Do not attempt to fit the rack system to your vehicle unless you fully understand these fitting instructions. Please direct any questions regarding fitting to the dealer from where the roof racks were purchased.
- Always ensure you fasten your load securely.
- Use only non-stretch fastening ropes or straps to attach cargo to your load.

In service maintenance checks

- All bolt connections should be checked after driving a short distance when you first install your roof racks.
- All bolted connections should be checked again at regular intervals (weekly is recommended, depending on road conditions, usage, loads and distances travelled).
- All bolted connections should be checked each time they are re-fitted.
- Off-road conditions are more rigorous. Check all bolted connections and your load more regularly.
- Ensure that your vehicle manufacturer's GVM, and gross axle weights are not exceeded (refer to vehicle owner's manual).

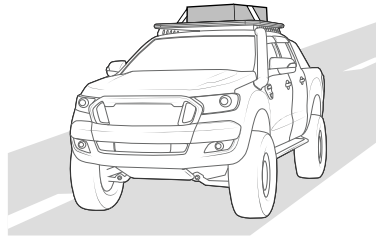
Torque Settings:

Unless stated otherwise in these instructions, all fasteners should be set to the following torque settings:




Note for Dealers and Fitters

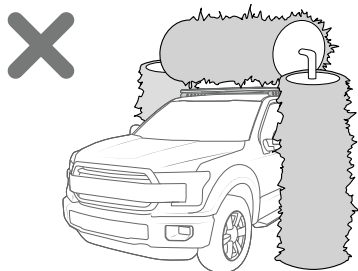
It is your responsibility to ensure these fitting instructions are given to the end user or client. These instructions remain the property of Rhino-Rack Australia Pty. Ltd. and may not be used or changed for any other purpose than intended.



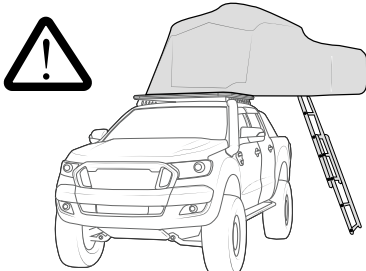
Exercise extreme care when transporting wind-resistant loads. Special consideration must be taken when cornering and braking.



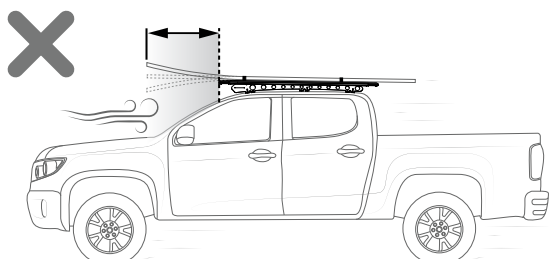
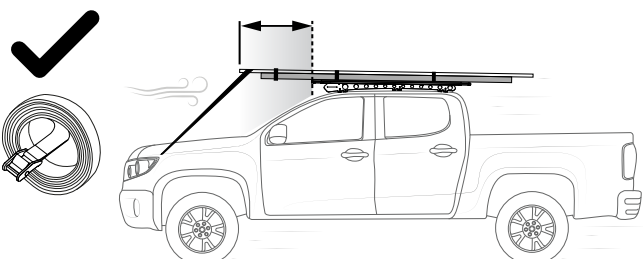
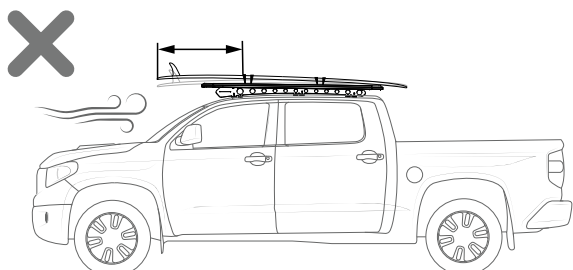
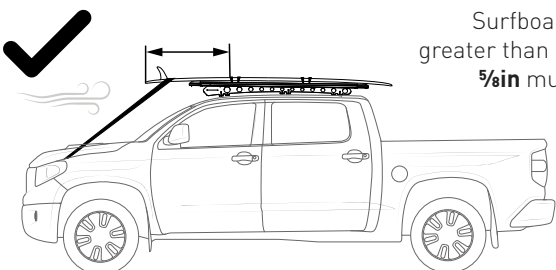
Off-road conditions can be much more rigorous. Extreme care must be taken on any driven path that does not contain a surface protection layer (tar/bitumen).



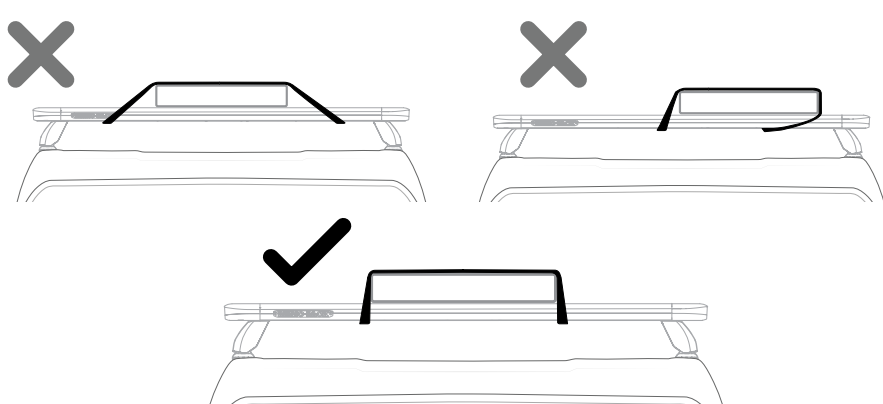
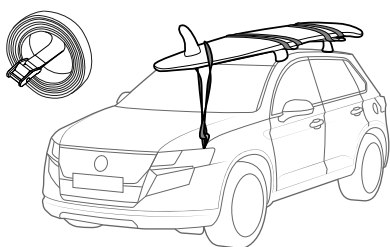
Racks must be removed when vehicle is put through an automatic car wash.



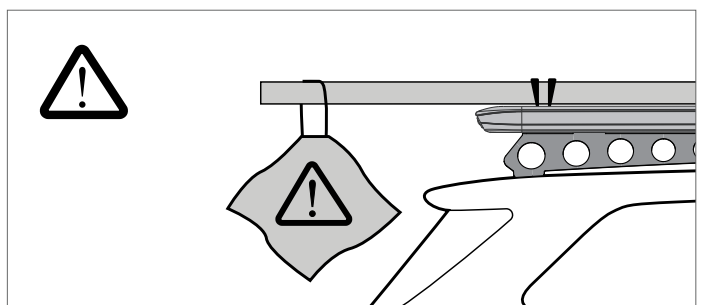
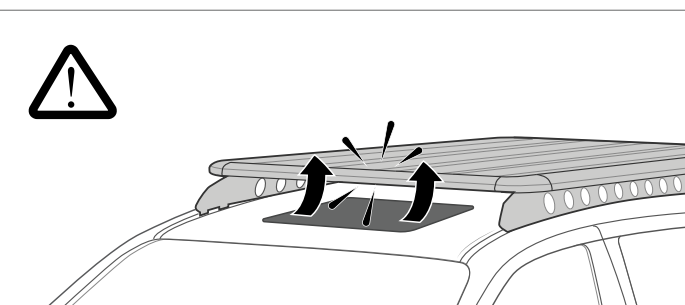
Ensure Ladder is well supported on the ground to support tent. Take extreme caution when climbing heights above 1.2m/4ft.

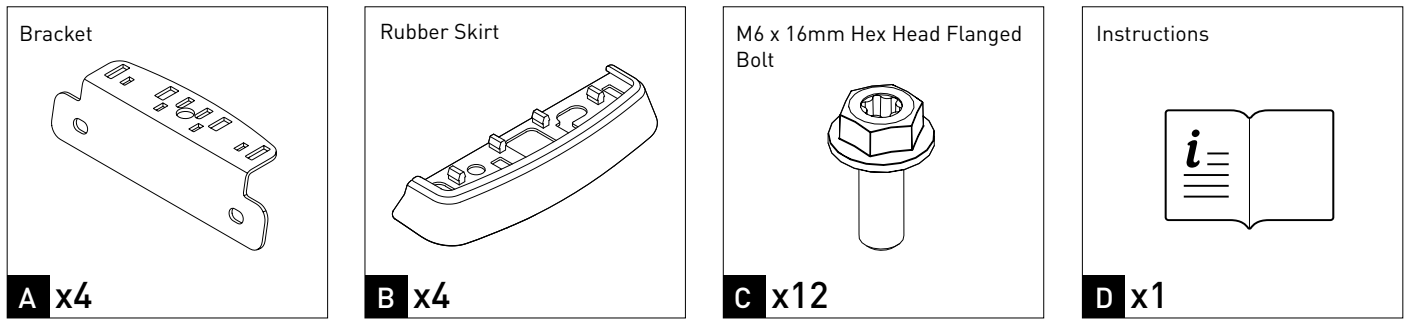
Surfboard Overhang greater than **600mm / 23 5/8in** must be tied to the bonnet

Use only non-stretch fastening ropes or straps to attach cargo to roof racks



Parts



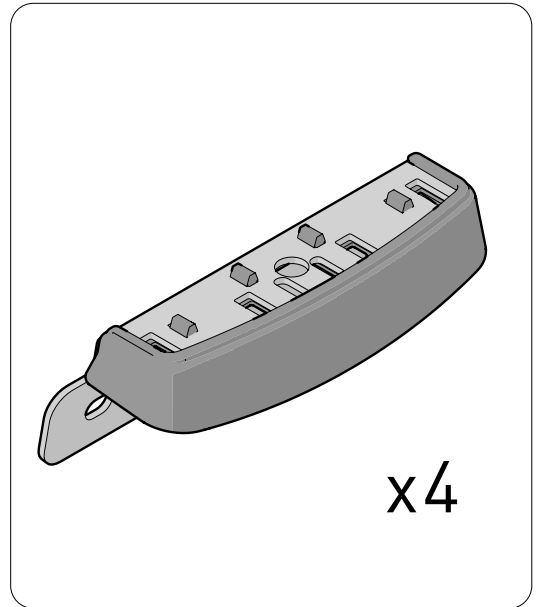
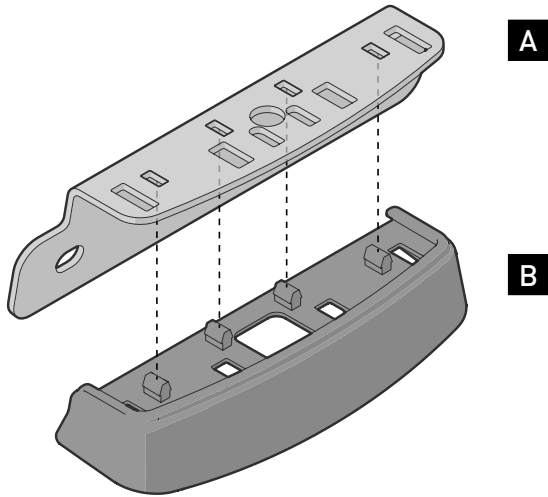
TOOLS REQUIRED:

T1 - T27 Torx Key (For CR-V Gen6)

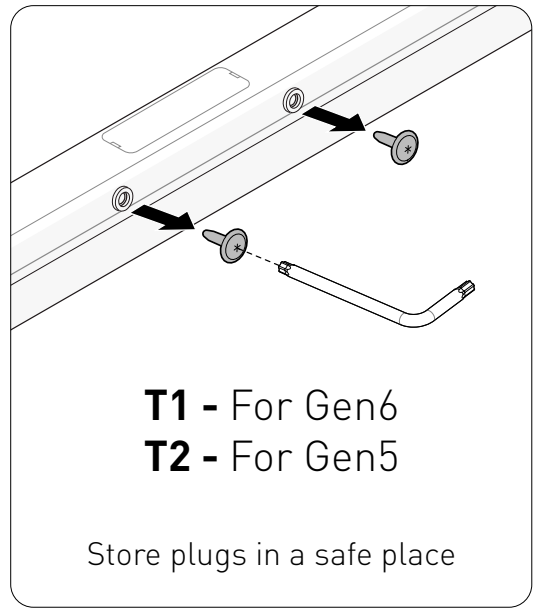
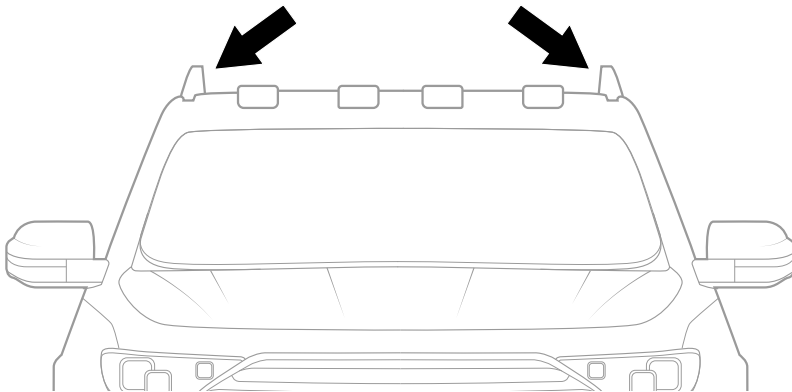
T2 - T20 Torx Key (For CR-V Gen5)

T3 - 10mm Ring Spanner (3/8") *OR* T30 Torx Key

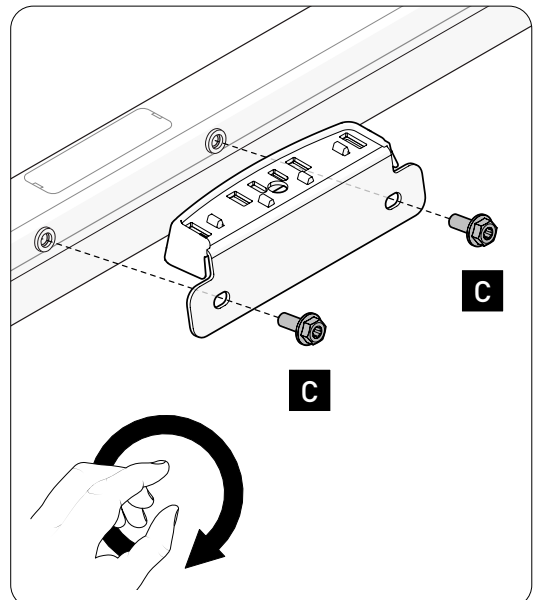
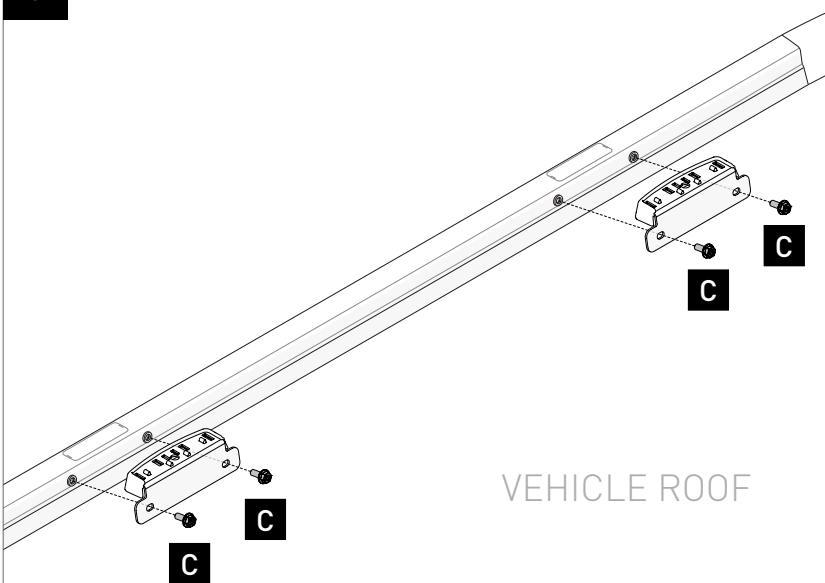
1



2

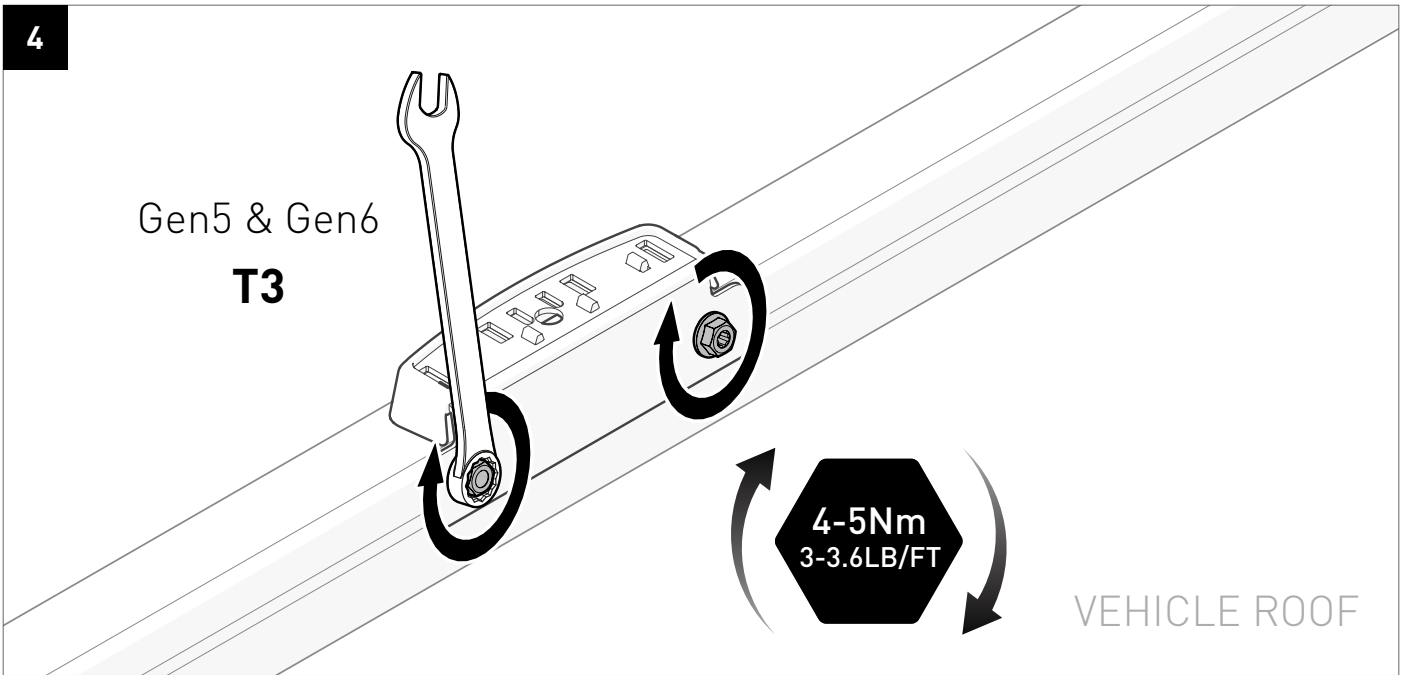


3

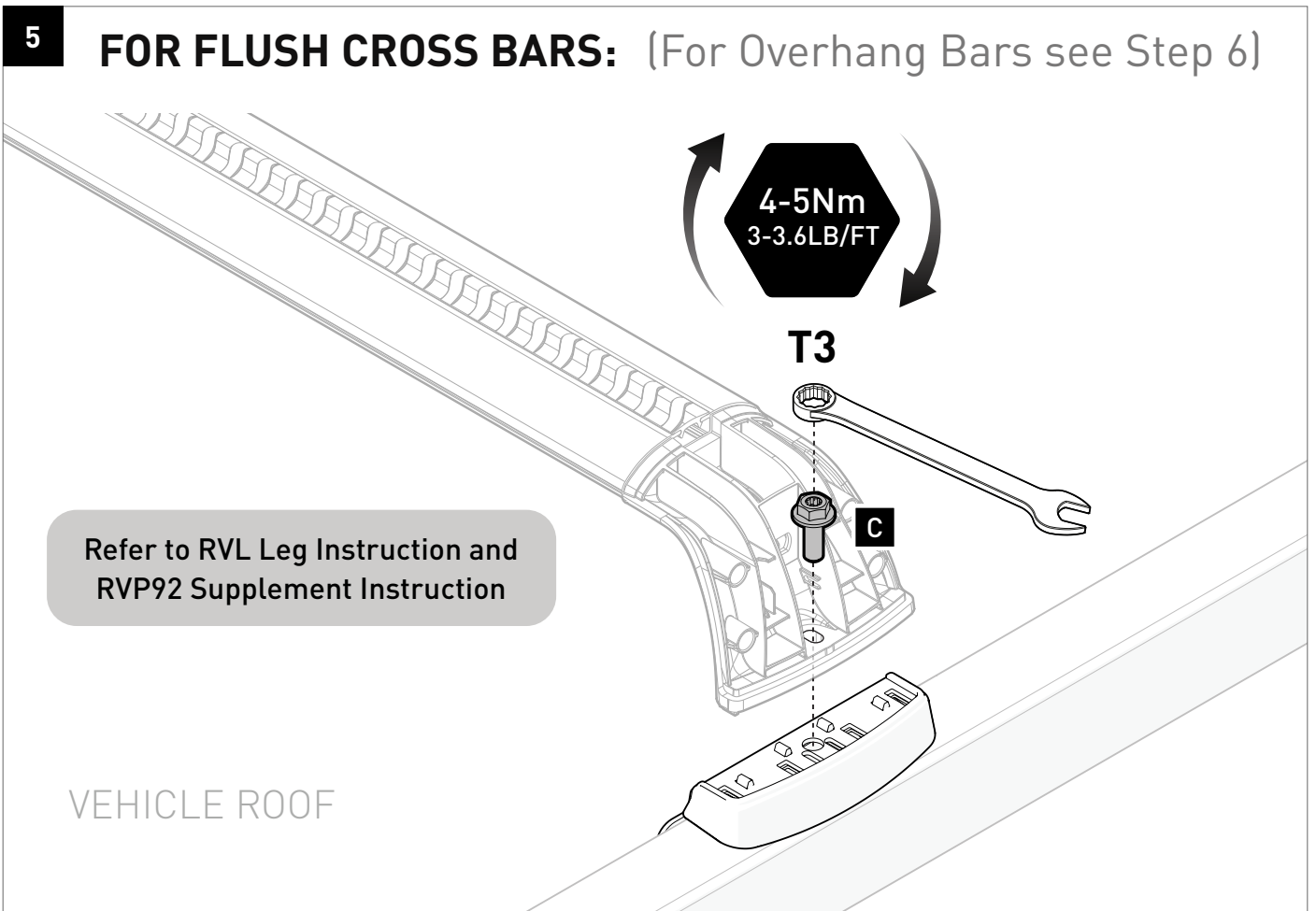


4

Gen5 & Gen6
T3



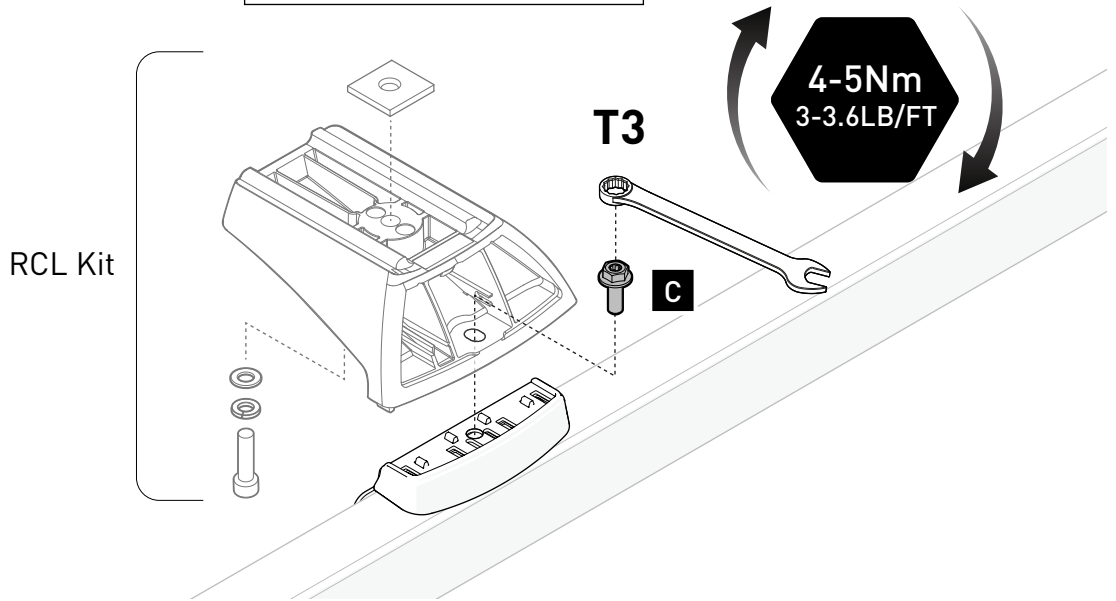
5 **FOR FLUSH CROSS BARS:** (For Overhang Bars see Step 6)



6 FOR OVERHANG CROSS BARS:

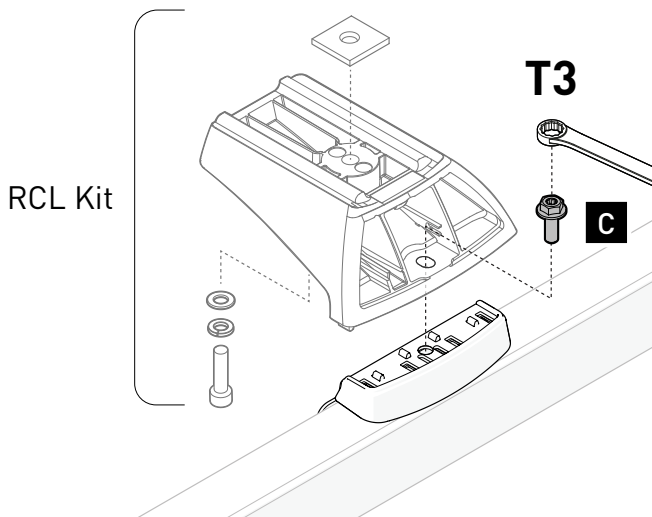
Gen5:

FRONT & REAR

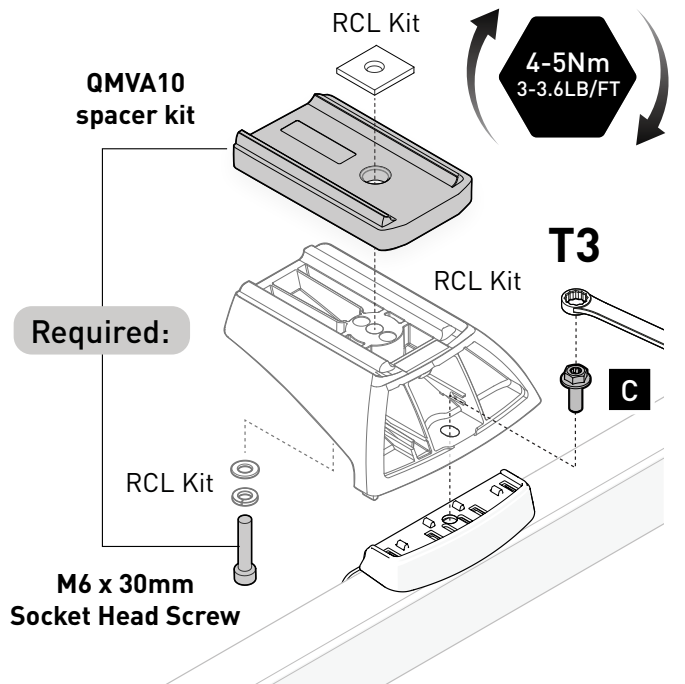


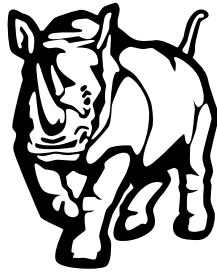
Gen6:

FRONT



REAR





RHINO-RACK®

MAKE SPACE FOR ADVENTURE

RHINORACK.COM

Rhino-Rack AUSTRALIA

22A Hanson Pl,
Eastern Creek, NSW, 2766

Rhino-Rack USA

19822 E 22nd Ave,
Aurora, CO, 80011