

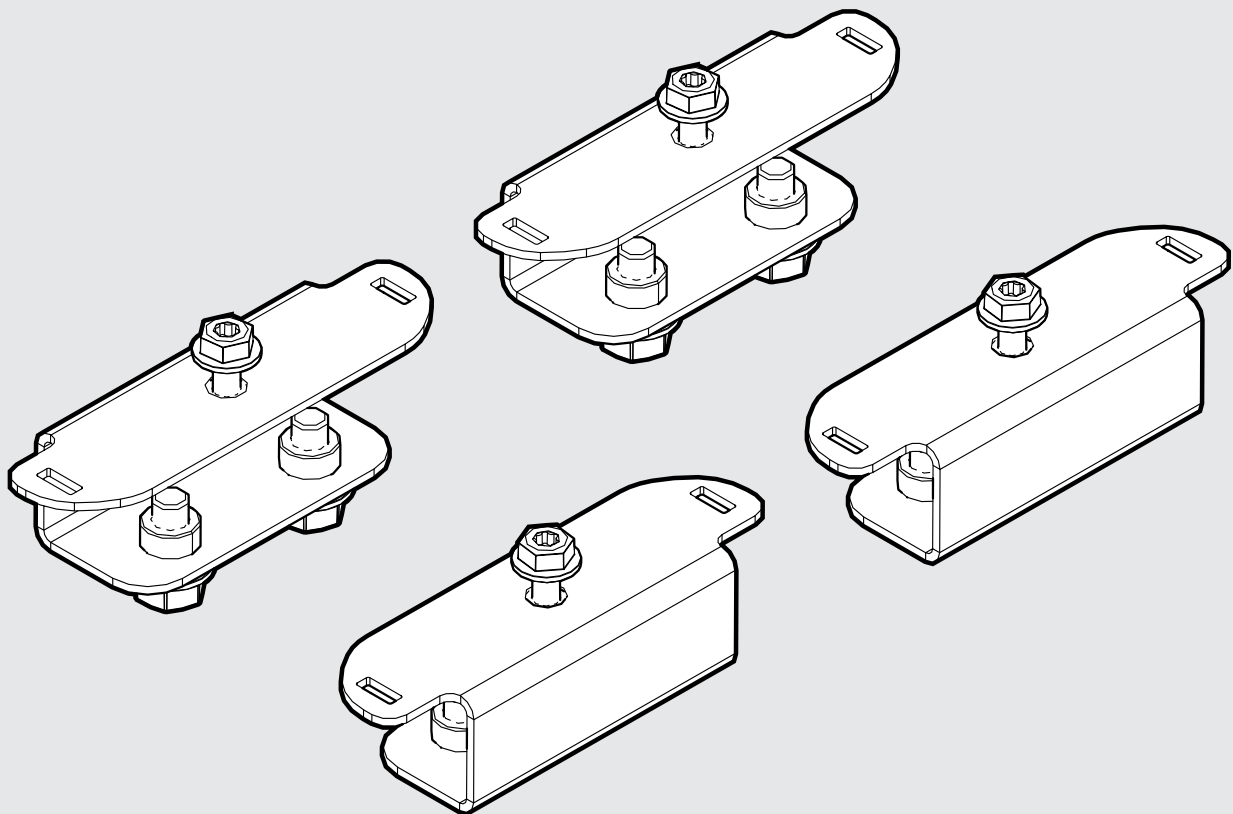
RHINO-RACK®

FORD Ranger P703 Tub Fixed Mount Base Kit RCP86-BK

Important:

1. Check the Rhino-Rack website to ensure you have the latest issue of these instructions.
2. Please refer to your fitting instruction to ensure that the roof racks are installed in the correct locations.
3. Check the contents of kit before commencing fitment and report any discrepancies.
4. Place these instructions in the vehicle's glove box after installation is complete.
5. These instructions must be followed for warranty to be upheld.

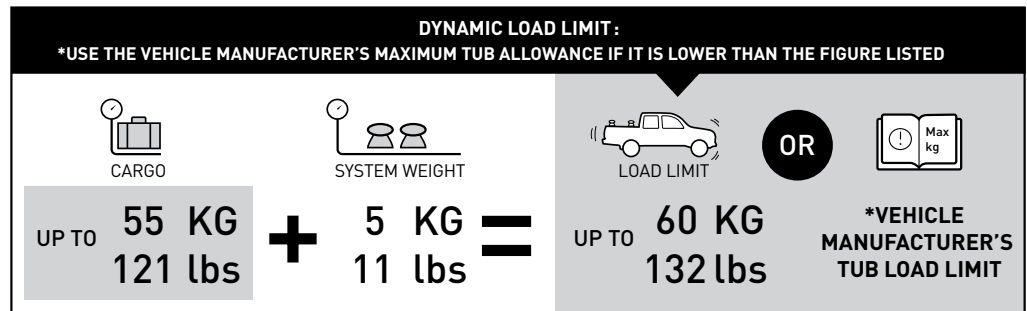
Fit Time: 20 mins



Carrying Capacity

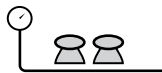
Check your vehicle owners hand book for vehicle maximum carrying capacity. Please ensure you use the vehicle manufacturer's maximum tub allowance if it is lower than the figure listed below.

Load must be evenly distributed over the system.



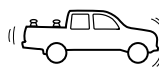
Cargo Load Limit

Total permissible weight allowed on top, and attached to roof racks whilst the vehicle is in motion.



System Weight

Total weight of the roof rack system. (Crossbars, Backbone, Platform)



Max System Load Capacity

Please ensure you use the vehicle manufacturer's maximum tub allowance if it is lower than the figure listed in the fitting chart.



Vehicle Manufacturer's Load Limit

Total permissible weight attached to the tub of the car. This is inclusive of the weight of the roof rack system.

Warning

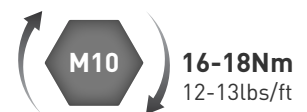
- Check part number or kit is correct for use with your vehicle.
- Do not attempt to fit the rack system to your vehicle unless you fully understand these fitting instructions. Please direct any questions regarding fitting to the dealer from where the roof racks were purchased.
- Off-road conditions can be much more rigorous. Extreme care must be taken on any driven path that does not contain a surface protection layer (tar/bitumen).
- Roof racks must be removed when vehicle is put through an automatic car wash.
- With utility vehicles, the cabin and the canopy move independently. Roof racks and vehicle can be damaged if the item transported is rigidly fixed at points on both the cabin and canopy. Instead, rigidly fix to either the cabin roof racks or the canopy roof racks.
- Always ensure you fasten your load securely.
- Use only non-stretch fastening ropes or straps to attach cargo to your load.

In service maintenance checks

- All bolt connections should be checked after driving a short distance when you first install your roof racks.
- All bolted connections should be checked again at regular intervals (weekly is recommended, depending on road conditions, usage, loads and distances travelled).
- All bolted connections should be checked each time they are re-fitted.
- Off-road conditions are more rigorous. Check all bolted connections and your load more regularly.
- Ensure that your vehicle manufacturer's GVM, and gross axle weights are not exceeded (refer to vehicle owner's manual).

Torque Settings:

Unless stated otherwise in these instructions, all fasteners should be set to the following torque settings:



Note for Dealers and Fitters

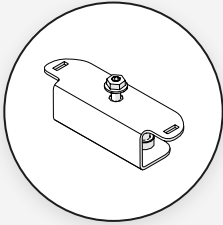
It is your responsibility to ensure these fitting instructions are given to the end user or client. These instructions remain the property of Rhino-Rack Australia Pty. Ltd. and may not be used or changed for any other purpose than intended.

System Components

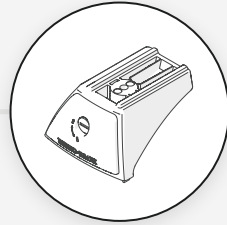
To complete the Reconn-Deck system you will need the base, tower & bar kits (accessories are recommended)

TUB SYSTEM COMPONENTS

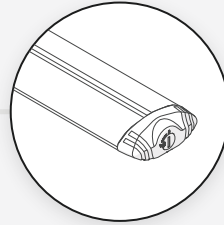
BASE



LEGS

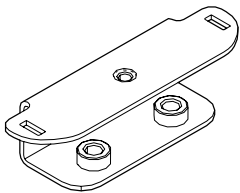


BARS



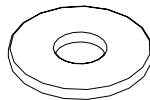
Parts List

Tub Mount Bracket



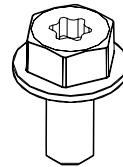
A x4

M8 x 24mm Flat Washer



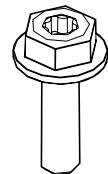
B x8

M8 x 16mm Hex Head Flanged Bolt



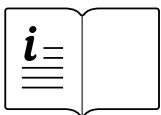
C x8

M6 x 20mm Hex Head Flanged Bolt



D x4

Instructions



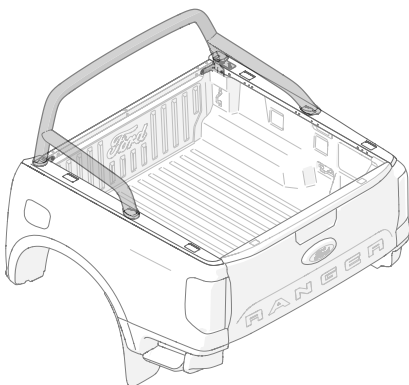
E x1

TOOLS REQUIRED:

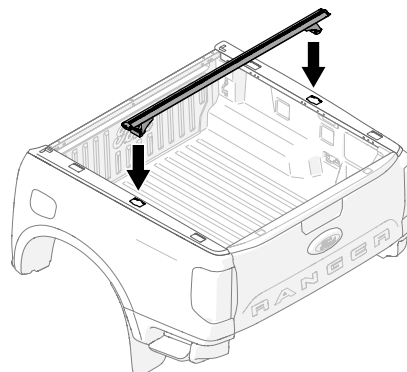
- T1** - 13mm / 1/2" Hex Socket with Extension Bar
- T2** - Scissors
- T3** - 5mm Allen Key (Supplied with RCH Kit)
- T4** - 10mm / 3/8" Spanner

Note for Sports Bar Variants:

Crossbars can be installed with or without Sports Bar attached.

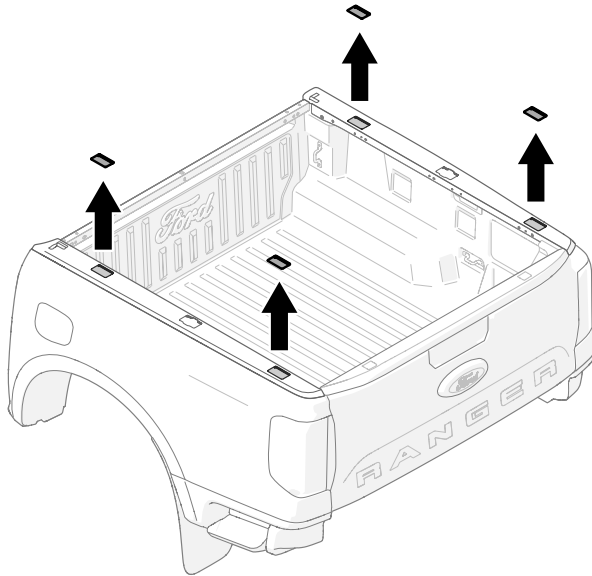


If Sports Bar is removed, centre windows will be available for Crossbar placement.



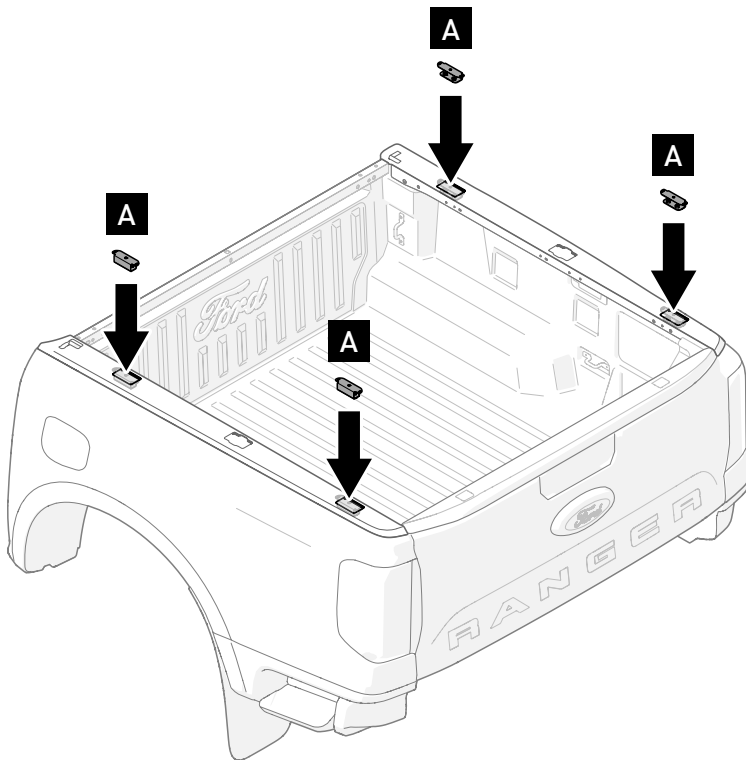
Note: Instruction depicts tub **without** Sports Bar.

1 Remove plastic window covers where Crossbars will be placed.

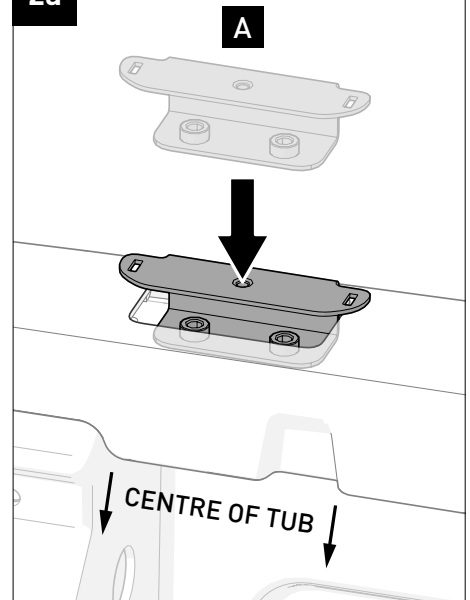


Note for Sports Bar Variants:
Refer to page 3 for Crossbar placement options.

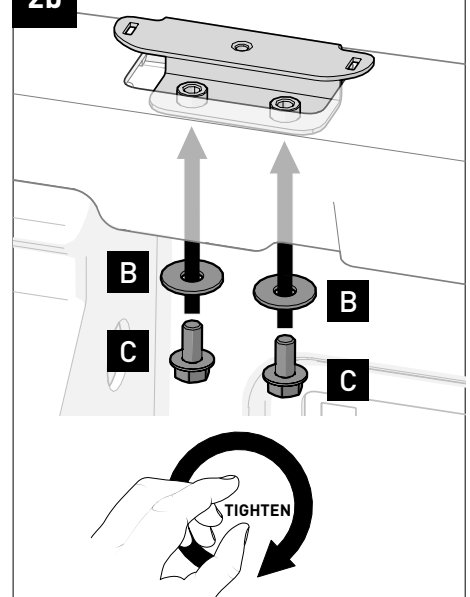
2



2a

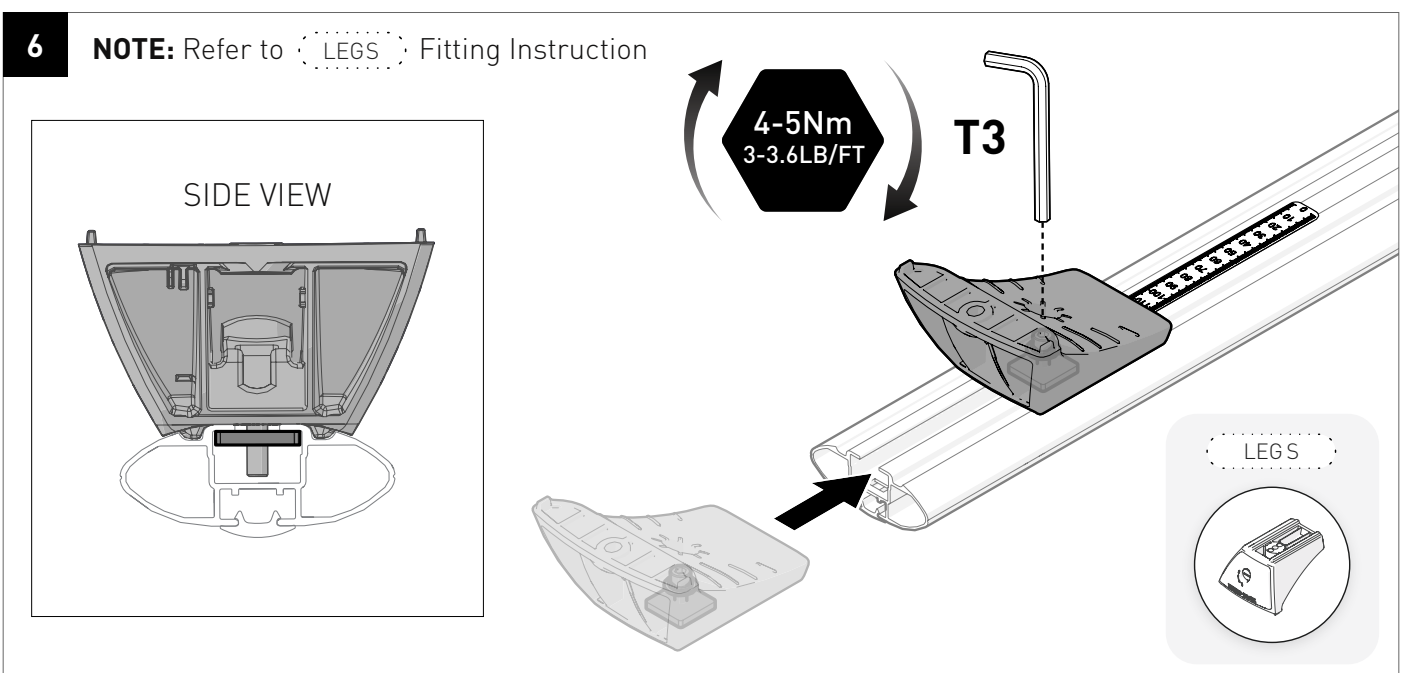
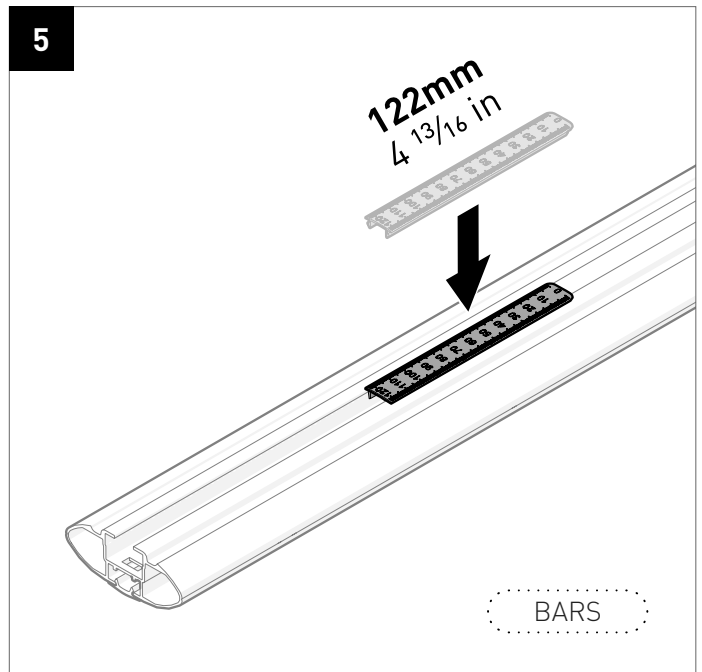
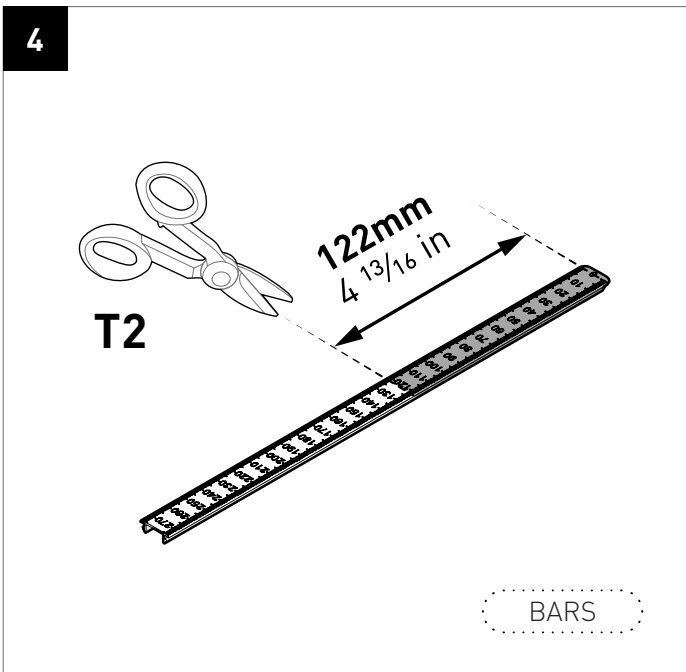
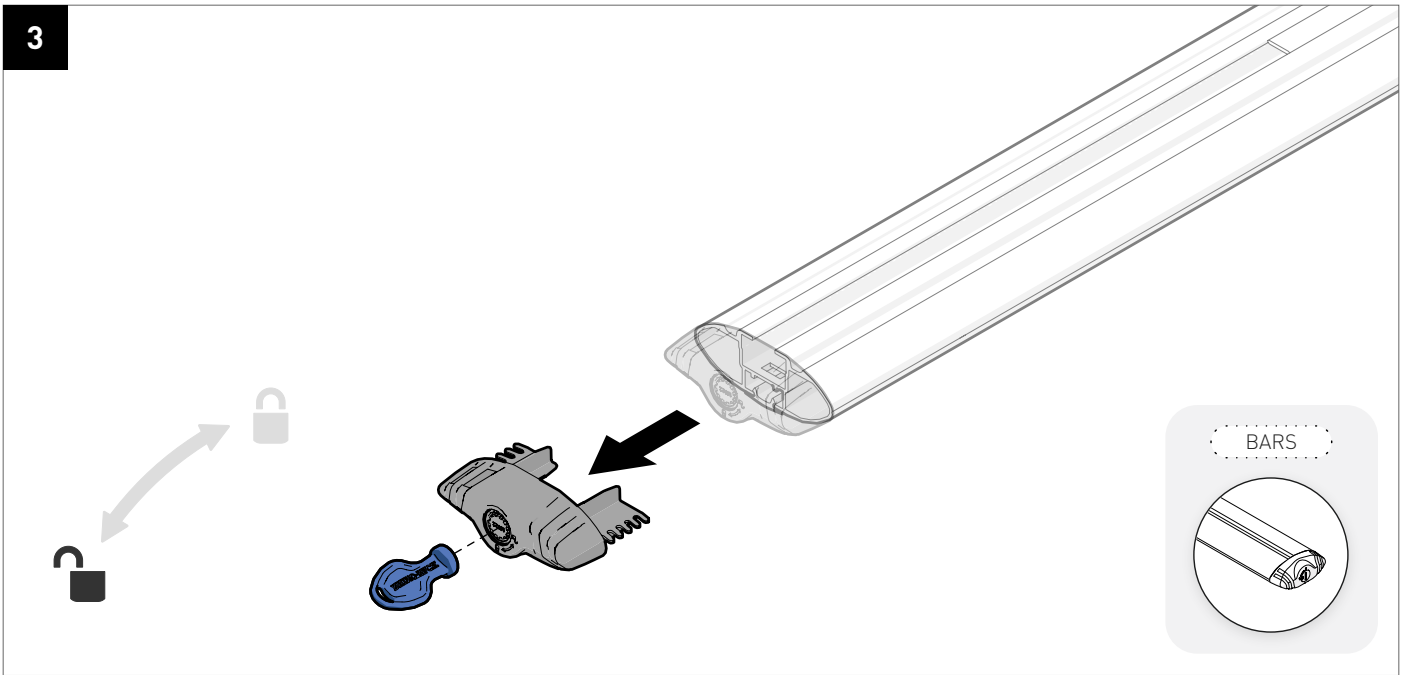


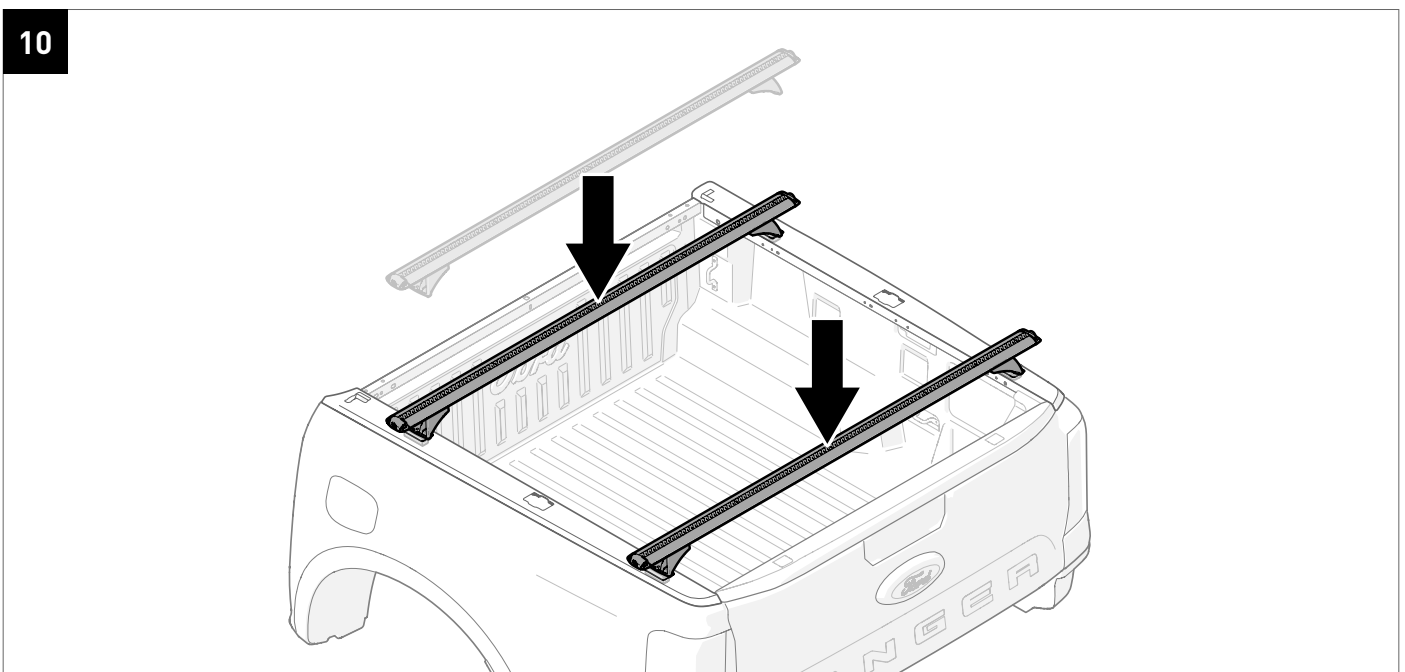
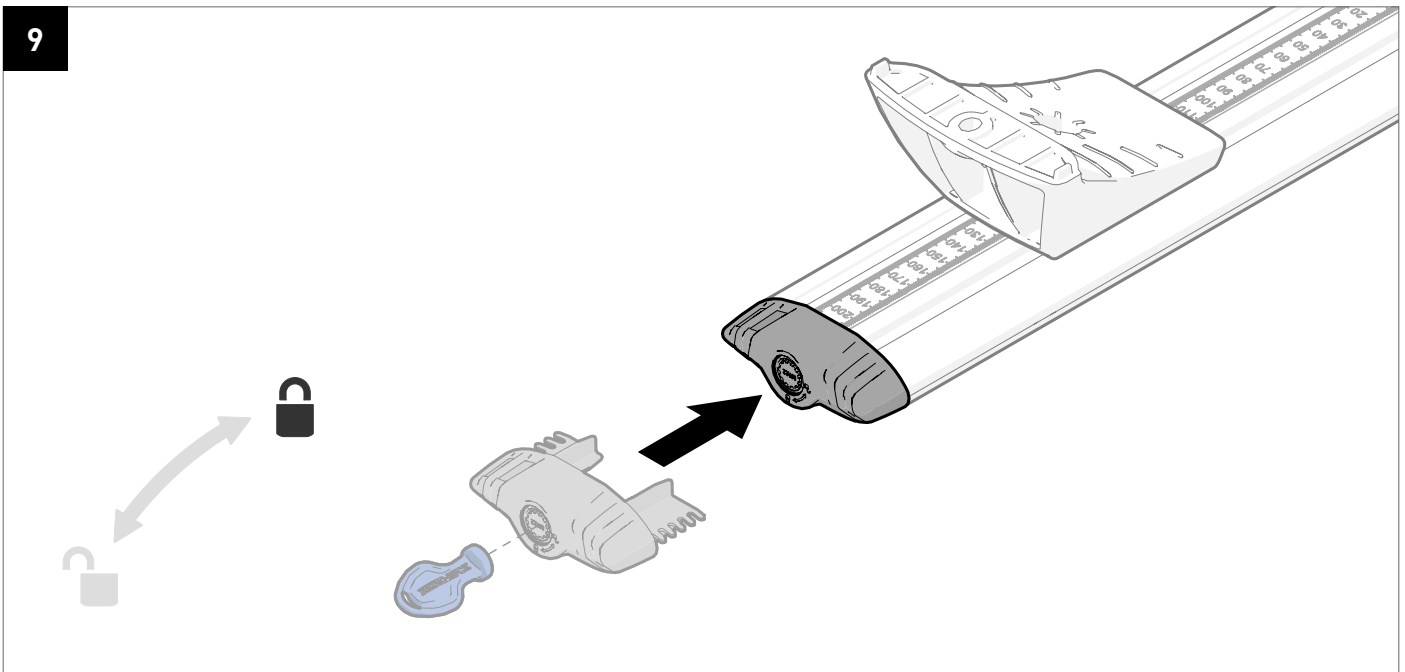
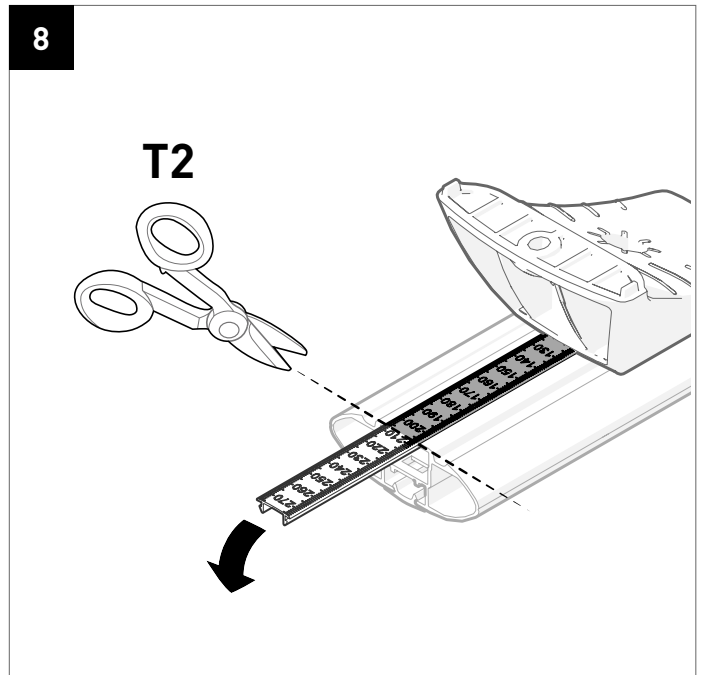
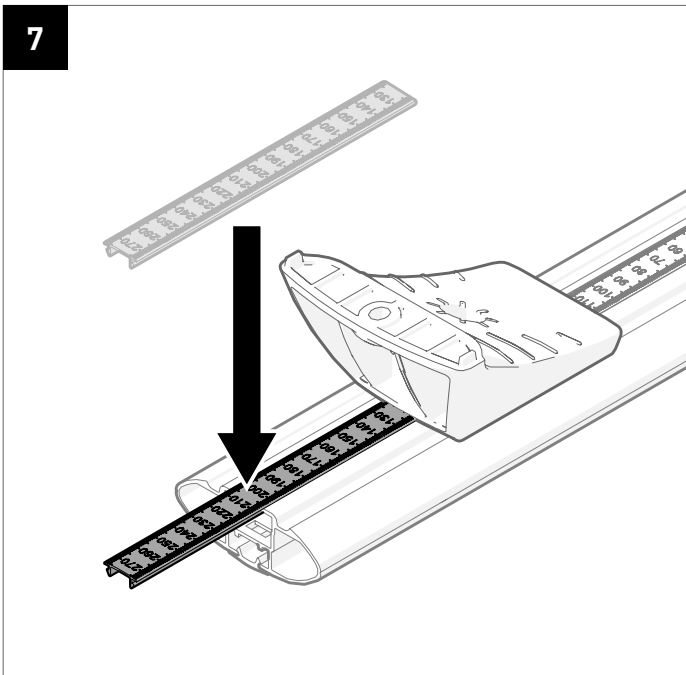
2b



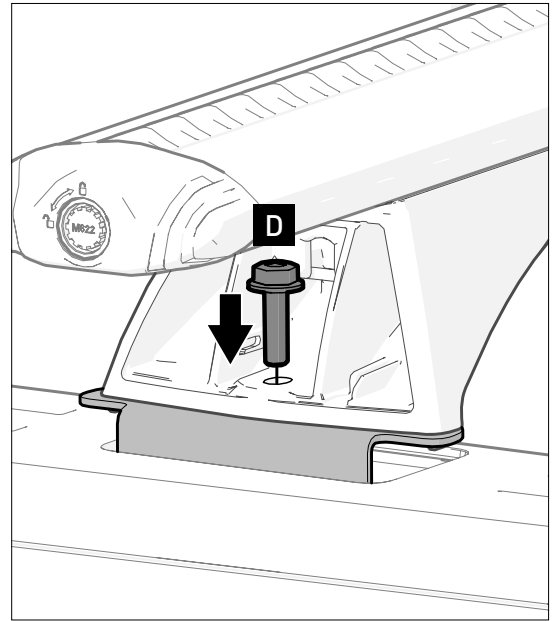
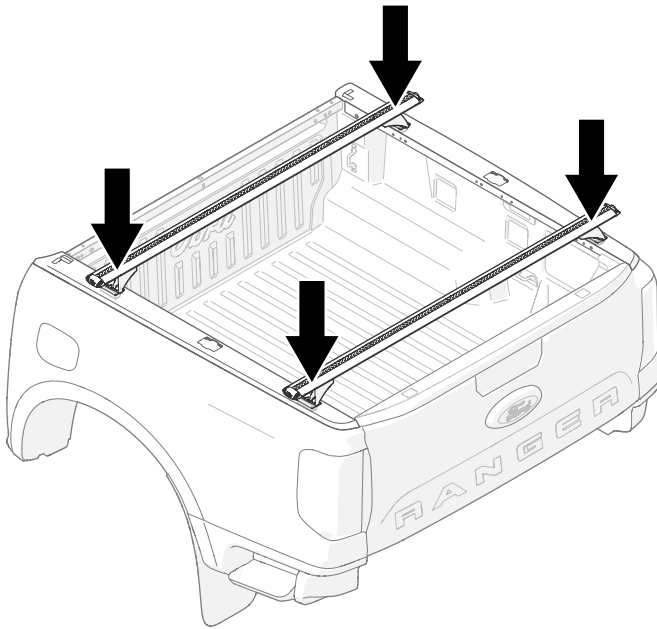
Note orientation:



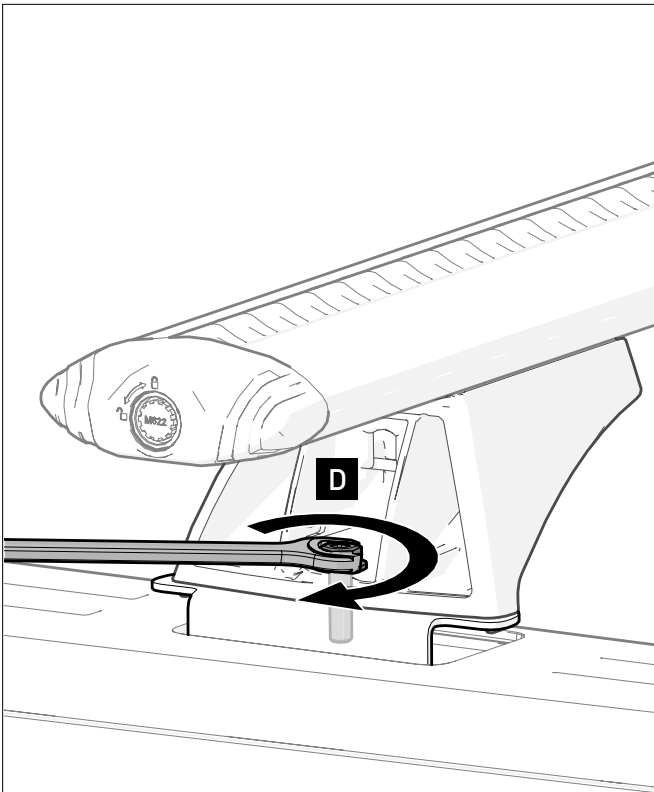




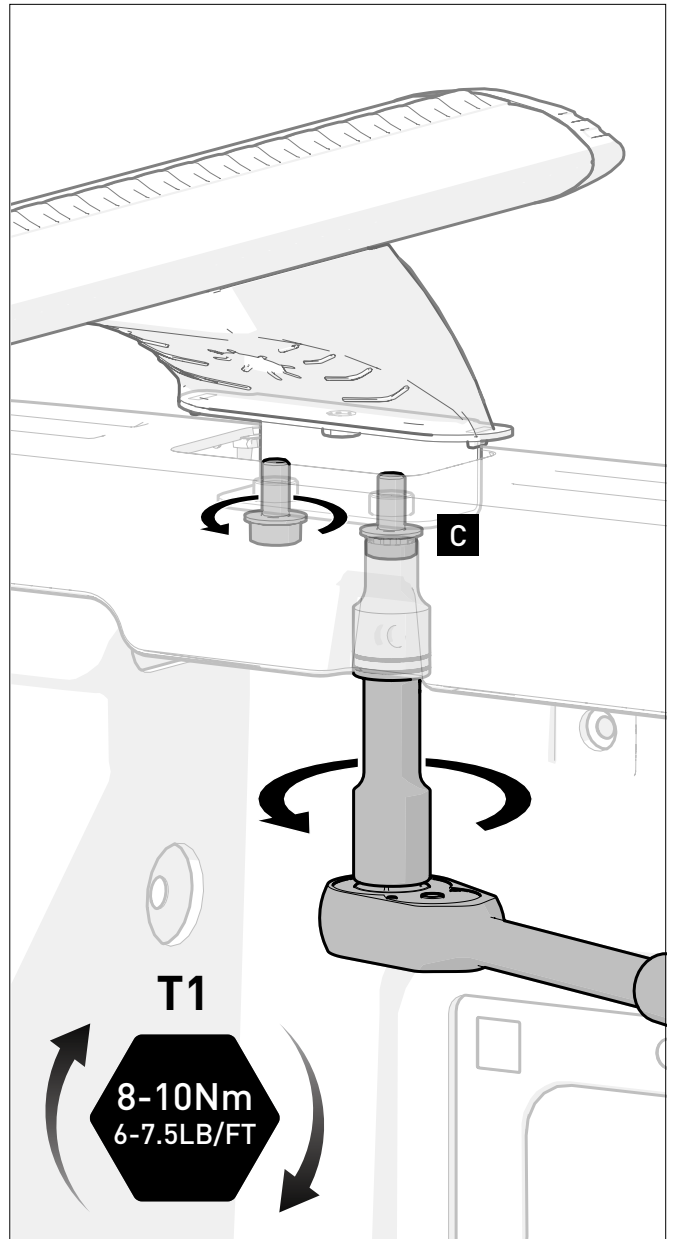
11



12



T4
4-5Nm
3-3.6LB/FT



T1
8-10Nm
6-7.5LB/FT

