



RHINO-RACK®

LAND ROVER Defender 110 L663 Leg Fitting Supplement

REFER TO RCP73-BK BASE KIT INSTRUCTION FOR LEG ATTACHMENT HARDWARE: **E**

TOOLS REQUIRED:

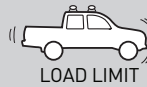
T1 - 10mm Socket Wrench

T2 - Tape Measure

2 BARS 

DYNAMIC CROSS BAR LOAD LIMIT (ON AND OFF ROAD):

*USE THE VEHICLE MANUFACTURER'S MAXIMUM ROOF ALLOWANCE IF IT IS LOWER THAN THE FIGURE LISTED



OR



UP TO **95 KG**
209 lbs



5 KG
11 lbs

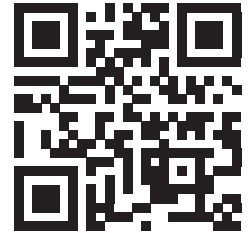


UP TO **100 KG**
220 lbs

*VEHICLE
MANUFACTURER'S
ROOF LOAD LIMIT



STATIC LOAD LIMIT: UP TO 250 KG / 550 LBS*

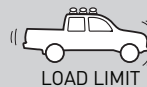


VISIT THE ONLINE
CALCULATOR FOR
CURRENT SYSTEM
LOAD LIMIT DATA

3 BARS 

DYNAMIC CROSS BAR LOAD LIMIT (ON AND OFF ROAD):

*USE THE VEHICLE MANUFACTURER'S MAXIMUM ROOF ALLOWANCE IF IT IS LOWER THAN THE FIGURE LISTED



OR



UP TO **92.5 KG**
204 lbs



7.5 KG
16.5 lbs



UP TO **100 KG**
220 lbs

*VEHICLE
MANUFACTURER'S
ROOF LOAD LIMIT



STATIC LOAD LIMIT: UP TO 250 KG / 550 LBS*

1a

2 BARS 

M6 Nut 30 x 25mm — RCL Kit Hardware

QMVA05
spacer kit

RCL low leg

M6 x 16mm Flat
Washer

M6 Spring Washer

M6 x 25mm Socket
Head Screw

RCL Kit Hardware

RCP73-BK

REAR

M6 Nut 30 x 25mm — RCL Kit Hardware

RCL low leg

M6 x 16mm Flat
Washer

M6 Spring Washer

M6 x 20mm Socket
Head Screw

RCL Kit Hardware

RCP73-BK

FRONT

1b

3 BARS



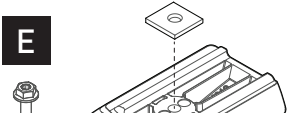
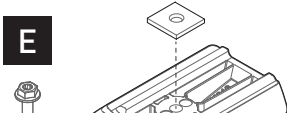
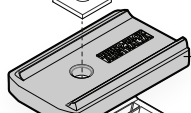
M6 Nut 30 x 25mm — RCL Kit Hardware

M6 Nut 30 x 25mm — RCL Kit Hardware

E

E

E



QMVA10 spacer kit

RCL low leg

RCL low leg

M6 x 16mm Flat Washer

M6 Spring Washer

M6 x 30mm Socket Head Screw

RCL Kit Hardware

M6 x 16mm Flat Washer

M6 Spring Washer

M6 x 20mm Socket Head Screw

RCL Kit Hardware

RCP73-BK

REAR

RCP73-BK

MIDDLE

and

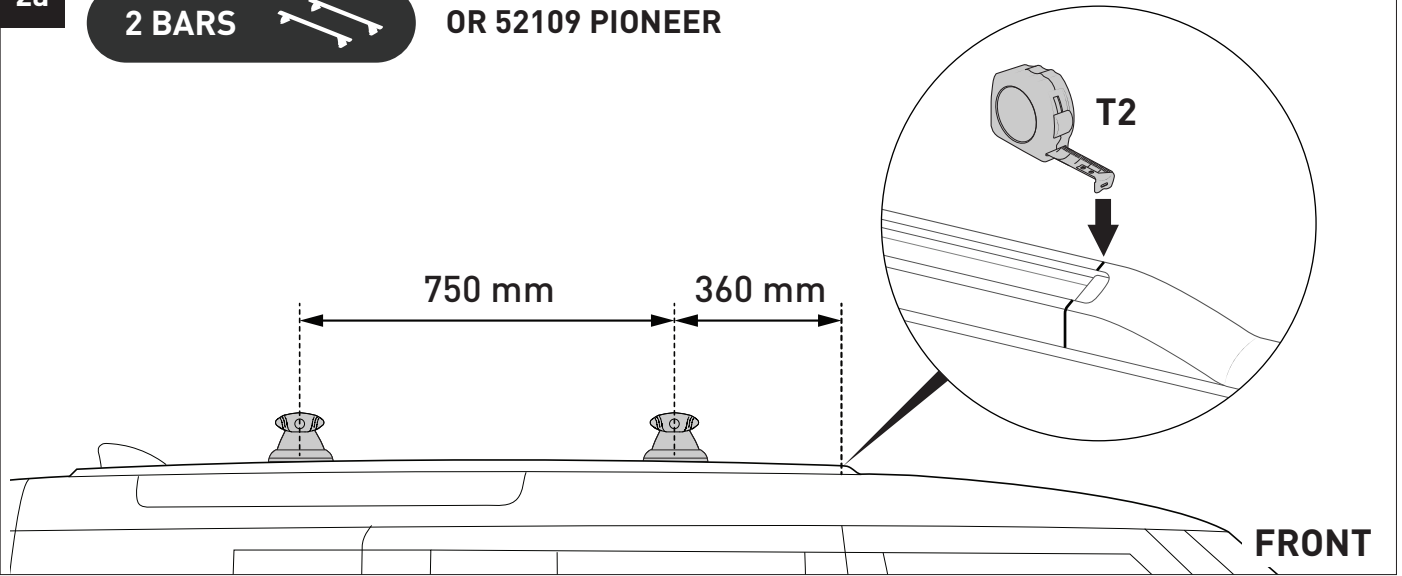
FRONT

2a

2 BARS



OR 52109 PIONEER

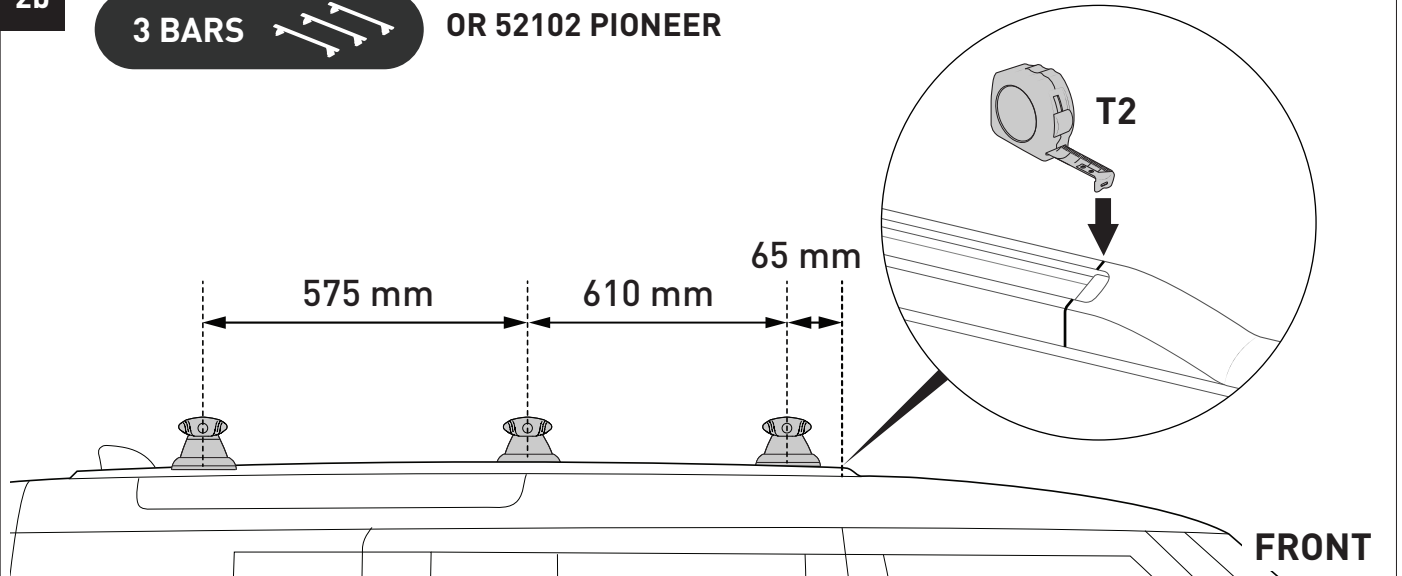


2b

3 BARS



OR 52102 PIONEER



Rhino-Rack AUSTRALIA
 22A Hanson Pl,
 Eastern Creek, NSW, 2766
 (02) 8846 1900
 rhinorack.com.au

Rhino-Rack USA
 Unit D, 2450 Airport Blvd,
 Aurora, CO, 80011
 877-744-6622
 rhinorack.com

Document No: 520-RFI-00067
 Issue No: 01
 Issue Date: 24/06/22