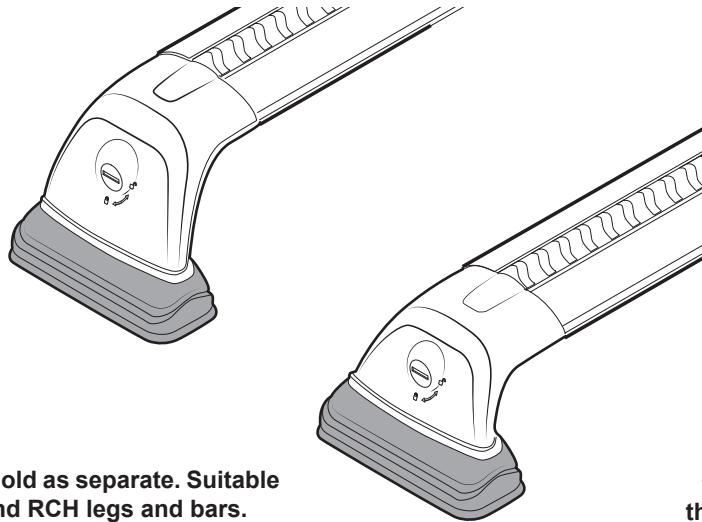




RHINO-RACK

RCP59-BK Base Kit

Important: Please read these instructions carefully prior to installation. Please refer to your fitting instruction to ensure that the roof racks are installed in the correct locations. Check the contents of kit before commencing fitment and report any discrepancies



Note: Crossbars and legs sold as separate. Suitable for both RVL , RVH, RCL and RCH legs and bars.

Be sure to check Rhino-Rack website to ascertain if you have the latest version of instructions.

Important Information

Maximum carrying capacity:

| On Road Cargo Allowance | Unsealed Road Cargo Allowance | Roof Allowance | Rack Weight |
|-------------------------|-------------------------------|----------------|-------------|
| 70kg / 154lb | 50kg / 110lb | 75kg / 165lb | 5kg / 11lb |

Roof Allowance: Total permissible weight attached to the roof of the car. This is inclusive of the weight of the roof rack system

Cargo Allowance: Total permissible weight allowed on top, and attached to roof racks whilst the vehicle is in motion. Please refer to your vehicle manufacturers handbook for maximum carrying capacity. Always use the lower of the two figures. Load must be evenly distributed over the entire Pioneer. Weight of roof rack accessories is to be included in cargo allowance.

Torque settings

Unless stated otherwise in these instructions, all fasteners should be set to the following torque settings - M6: 4-5Nm (3-4lbs/ft), M8: 8-10Nm (6-7.5lbs/ft) and M10: 16-18Nm (12-13lbs/ft).

Warning:

- Check Part No. and/ or Kit is correct for use with your vehicle
- Do not attempt to fit the rack system to your vehicle unless you fully understand these fitting instructions. Please direct any questions regarding fitting to the dealer from where the roof racks were purchased.
- **Use only non-stretch fastening ropes or straps.**
- The handling characteristics of the vehicle changes when you transport a load on the roof. For safety reasons we recommend you exercise extreme care when transporting wind-resistant loads. Special consideration must be taken into account when cornering and braking.
- Although the system is tested and approved to AS1235-2000 / ISO 11154, off-road conditions can be much more rigorous. Extreme care must be taken in off road conditions

Recommendations:

It is essential that all bolt connections be checked after driving a short distance when you first install your roof racks. Bolt connections should be checked again at regular intervals (once a week is enough, depending on road conditions, usage, loads and distances travelled). You should also check the roof racks each time they are re-fitted. Always make sure to fasten your load securely. Please also ensure that all loads are evenly distributed and that the centre of gravity is kept as low as possible and must be entirely contained within the extents of the roof racks.

Note for Dealers and Fitters:

It is your responsibility to ensure these fitting instructions are given to the end user or client

Rhino-Rack, 22 Hanson St, Eastern Creek

NSW 2766, Australia

(02) 8846 1900

rhinorack.com.au

Document No: R1448

Prepared By: Kayle Everett

Authorised By: Rod Renkin

Issue No: 02

Issue Date: 26/09/2018

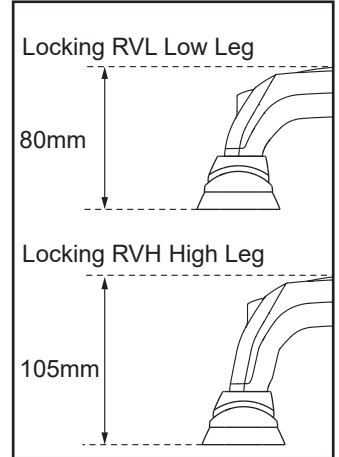
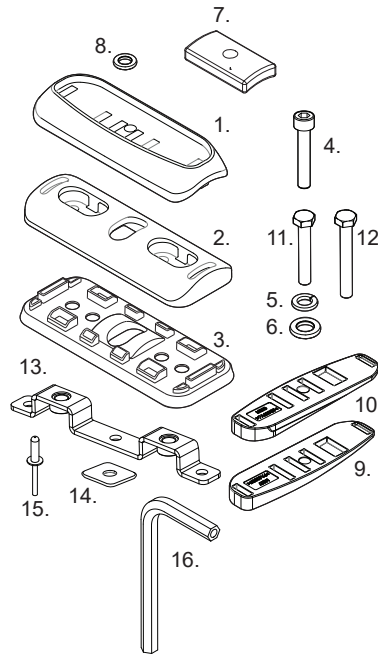
These instructions remain the property of Rhino-Rack Australia Pty. Ltd. and may not be used or changed for any other purpose than intended.



RCP59-BK Base Kit

Parts List

| Item | Components | Qty | Part No. |
|------|----------------------------------|-----|----------|
| 1 | Short Fixed Mount Rotation Block | 4 | M835 |
| 2 | Short Fixed Mount Base | 4 | M834 |
| 3 | Short Fixed Mount Flat Rubber | 4 | M837 |
| 4 | M6 x 20mm Socket Screw | 8 | B054 |
| 5 | M6 Spring Washer | 12 | W004 |
| 6 | M6 x 16mm Flat Washer | 4 | W031 |
| 7 | M6 Curved Cast Nut | 4 | N060 |
| 8 | M6 x 12.5mm Flat Washer | 8 | W003 |
| 9 | Front LH Wedge | 1 | M827 |
| 10 | Front RH Wedge | 1 | M828 |
| 11 | M6 x 30mm Hex Bolt | 2 | B202 |
| 12 | M6 x 35mm Hex Bolt | 2 | B203 |
| 13 | QMFK Bracket | 4 | CA1506 |
| 14 | Butyl Patch | 12 | CA1397 |
| 15 | Rivet | 12 | H008 |
| 16 | Allen Key | 1 | H021 |
| 17 | Instructions | 1 | R1448 |



Tools Required:

10mm socket wrench.

Note: Legs and Crossbars are sold separate. Be sure to obtain correct kits for your vehicle.

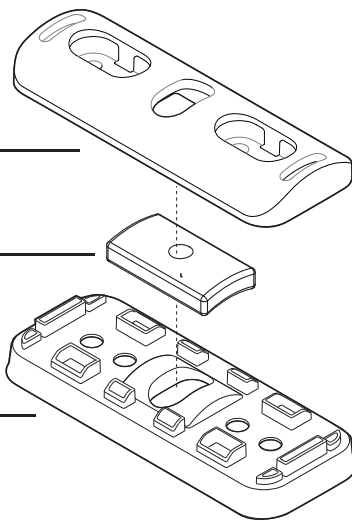
Instructions

- 1** Assemble the short mounts as shown.

Short fixed mount base

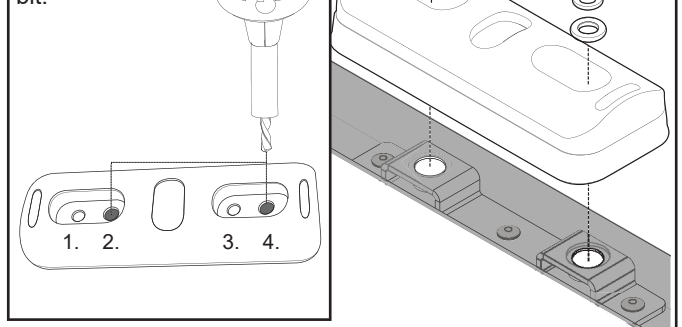
Curved nut

Short fixed mount rubber



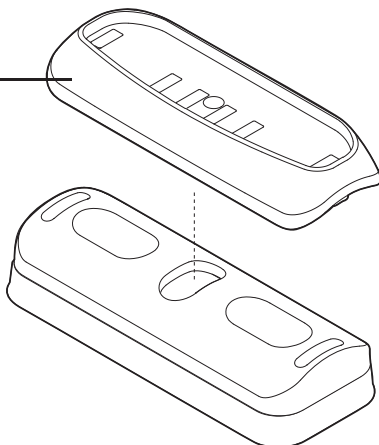
- 2** Using the M6 x 20 socket screws, M6 spring and 12.5mm flat washers, install the base assembly to the vehicle.

Note: Required holes must be drilled with a 6.5mm drill bit.



- 3** Place the short fixed mount rotation block onto the assembly.

Short fixed mount base rotation block



- 4** Fix the crossbar assemblies to the roof. Be sure fixtures are secure before use.

Front-M6 x 35mm Hex Bolt
Rear-M6 x 30mm Hex Bolt

Spring Washer

M6 x 16mm Flat Washer.

Rear

Front

Note: Wedges are positioned at the front only.

