

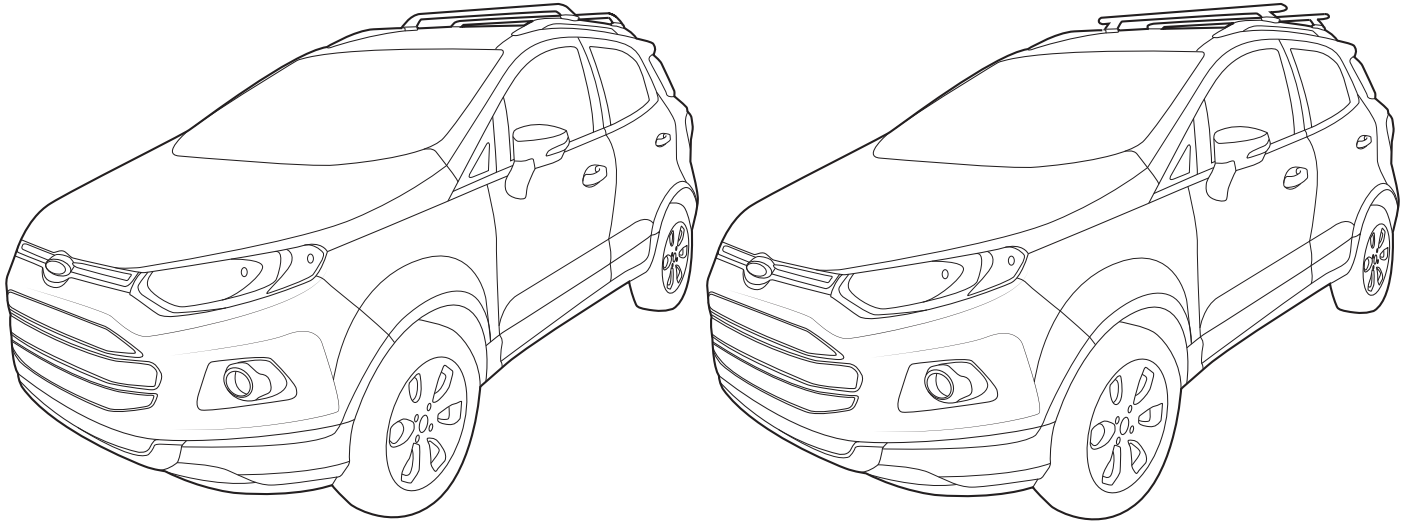


RHINO-RACK

RCP36-BK Ford Ecosport

Important: Please read these instructions carefully prior to installation.
Please refer to your fitting instruction to ensure that the roof racks are installed in the correct locations.
Check the contents of kit before commencing fitment and report any discrepancies

Layout



Note: Crossbars and legs sold as separate.

Important Information.

Maximum roof load: 45kg/99lbs evenly distributed across two crossbars. Refer to vehicle owners manual for maximum roof loading. Always use lower of the two figures. Note: Be sure to check the Rhino-Rack website to see if you have the latest version of instructions before beginning installation.

Recommendations:

It is essential that all bolt connections be checked after driving a short distance when you first install your crossbars. Bolt connections should be checked again at regular intervals (probably once a week is enough, depending on road conditions, usage, loads and distances travelled). You should also check the crossbars each time they are refitted. Make sure to fasten your load securely. Please ensure that all loads are evenly distributed and that the centre of gravity is kept as low as possible. Use non stretch ropes.

Please remove crossbars when putting vehicle through an automatic car wash.

Load Ratings:

Maximum permissible load is 45kg (99lbs) for two crossbars including the weight of the crossbars, 5kg (11lbs). When crossbars are to be used in off-road conditions, please build a safety factor of 1.5 into this load limit for off-road use, two crossbars = **30kg 66lbs**). Although the crossbars are tested and approved to AS1235-2000, Off road conditions can be much more rigorous. However, increasing the number of crossbars does not increase the vehicles maximum permissible roof loading.

Note for Dealers and Fitters:

It is your responsibility to ensure instructions are given to the end user or client.

Rhino-Rack
3 Pike Street, Rydalmere,
NSW 2116, Australia.
(Ph) (02) 9638 4744
(Fax) (02) 9638 4822

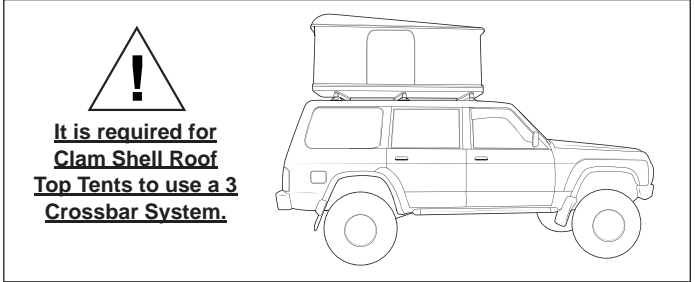
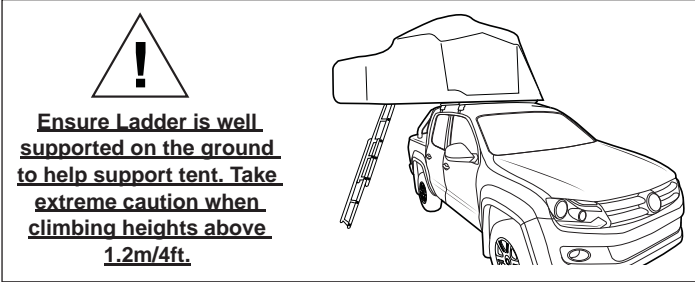
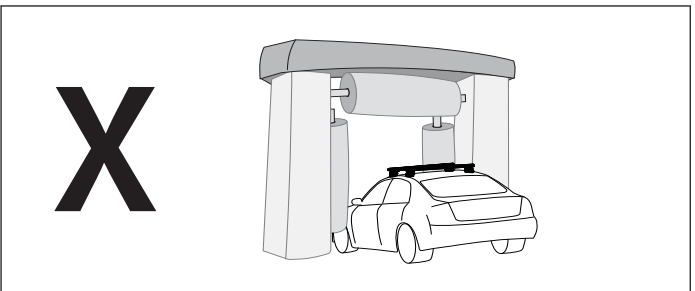
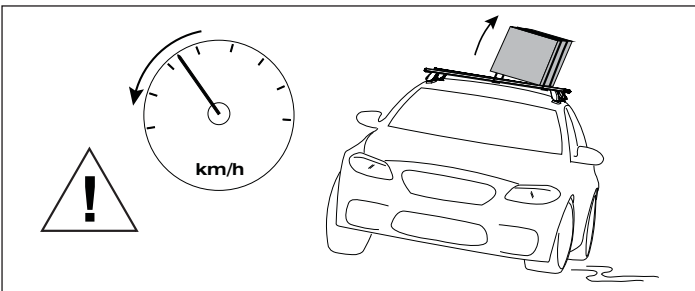
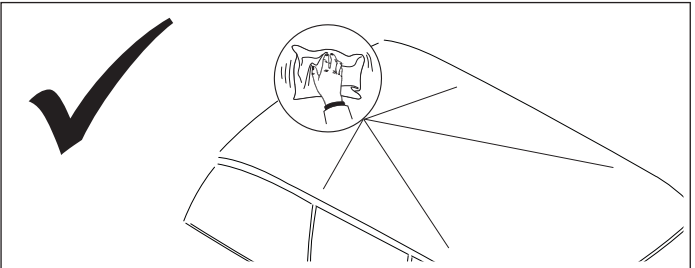
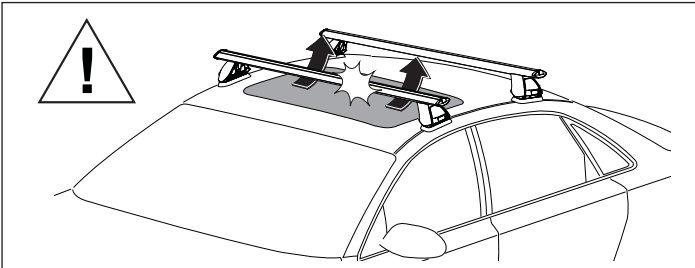
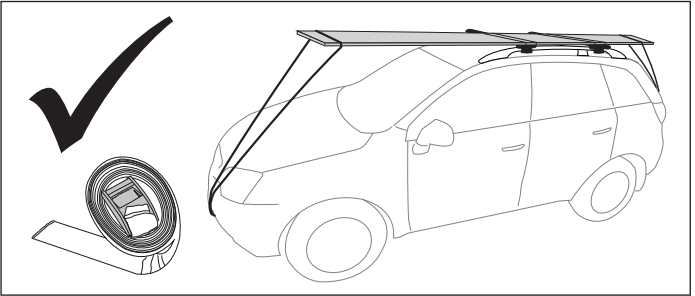
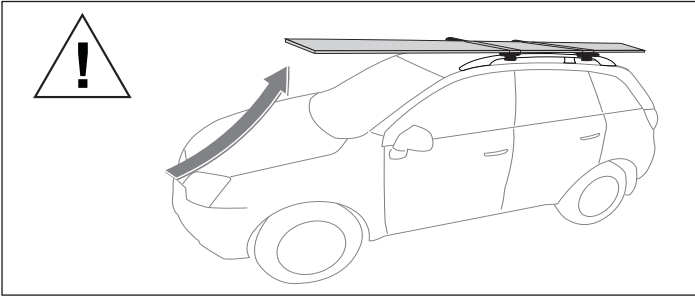
Document No: R1357
Prepared By: Kayle Everett
Authorised By: Chris Murty

Fit Time: 30min
Issue No: 01
Issue Date: 24/04/2017

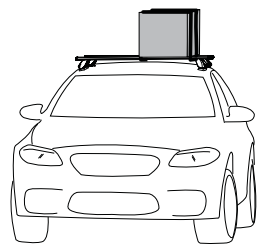
These instructions remain the property of Rhino-Rack Australia Pty. Ltd. and may not be used or changed for any other purpose than intended.



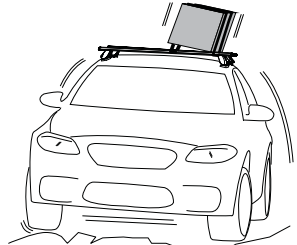
RCP36-BK Ford Ecosport



When these roof racks are to be used on a vehicle that is driven off sealed roads, the manufacturer maximum roof load rating (to be found in the vehicles User Manual) should be **divided by a factor of 1.5**. Do not forget to subtract 5kg from your maximum carrying capacity due to the weight of the crossbars and legs.



45kg/99lbs
load rating
(Urban road) = **30kg/66lbs**
load rating
(off road)



WARNING! Important Load Carrying Instructions

With utility vehicles, the cabin and the canopy move independently. Roofracks and vehicle can be damaged if the item transported is rigidly fixed at points on both the cabin and canopy. Instead, rigidly fix to either the cabin roofracks or the canopy roofracks.

Paddle/ Surfboards should be fixed to the front of the vehicle.



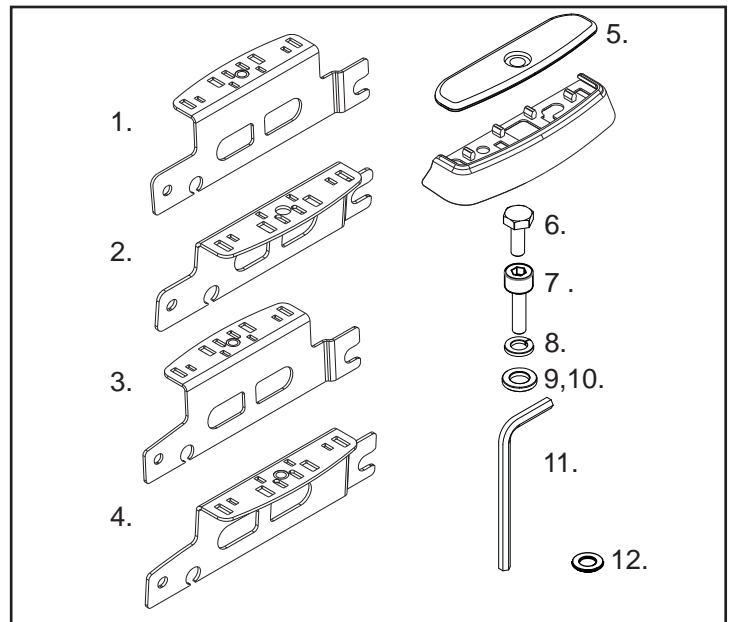
RCP36-BK Ford Ecosport

Parts List.

Item	RCP36-BK	Qty	Part No.
1	Ford Ecosport Rail Bracket FL	1	CA1331
2	Ford Ecosport Rail Bracket FR	1	CA1332
3	Ford Ecosport Rail Bracket RL	1	CA1333
4	Ford Ecosport Rail Bracket RR	1	CA1334
5	Rubber Skirt	4	M725
6	M6 x 16mm Hex Setscrew	4	B168
7	M6 x 20mm Socket Screw	4	B054
8	M6 Spring Washer	8	W004
9	M6 x 12.5mm Flat Washer	8	W003
10	M6 x 16mm Flat Washer	4	W031
11	Security Allen Key	1	H021
12	M6 Washer (used on cover plate)	4	W003
13	Fitting Instructions	1	R1357

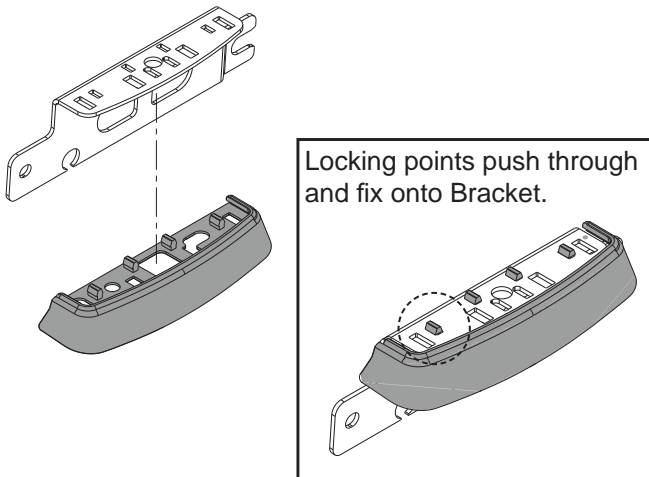
Tools Required:

- 1- Allen Key
(supplied in kit).

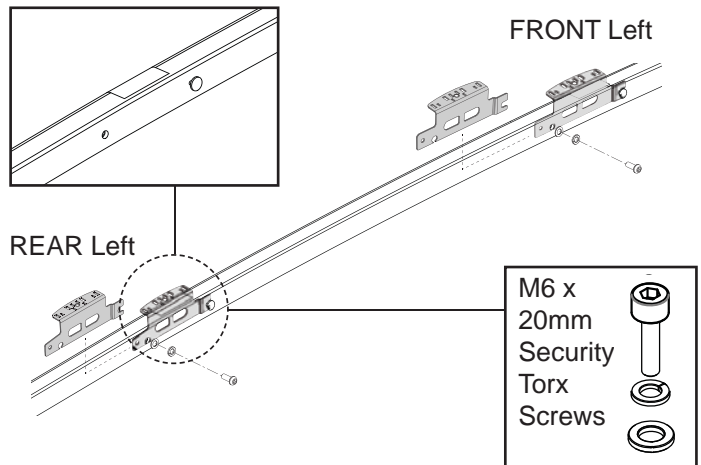


Instructions.

- 1** Install all Mounting Brackets into the Rubber Skirts. Note that the four locking points on the Rubber Skirt push through and fix onto the Bracket.



- 2** Locate the plastic spigot on the factory rails. Place the notch of the front and rear brackets onto the corresponding spigot. Install with M6x20mm Security Torx screws, M6 Spring and Flat Washers.



- 3** When crossbars are not in use, remove and install the pad cover plates as shown.

M6 x 16mm Hex

M6 Spring Washer

