

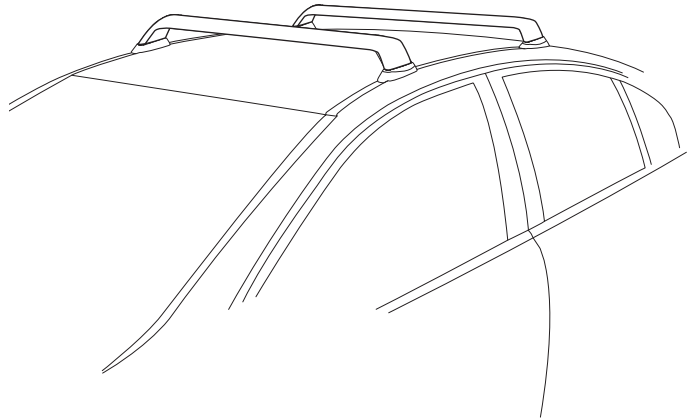
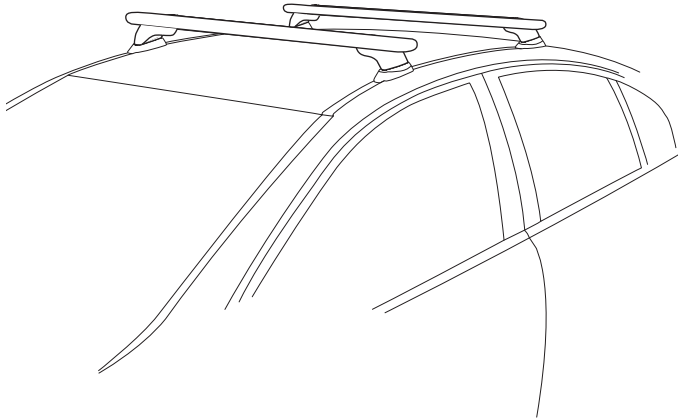


# RHINO-RACK

## RCP18-BK - VE Commodore Sedan

**Layout:**

**Note:** Crossbars and legs sold as separate.



### Important Information

**Maximum carrying capacity:**

On Road Cargo Allowance	Off Road Cargo Allowance	Roof Allowance	Rack Weight
70kg / 165lb	37.5kg / 82lbs	75kg / 165lbs	5kg / 11lb

- Off Road:** Any driven path taken that is not on sealed (tarred / bitumen) and maintained
  - Roof Allowance:** Total permissible weight attached to the roof of the car. This is inclusive of the weight of the roof rack system
  - Cargo Allowance:** Total permissible weight allowed on top, and attached to roof racks whilst the vehicle is in motion
  - Static Allowance:** Total permissible weight allowed on top, and attached to roof racks whilst the vehicle is stationary
- Please refer to your vehicle manufacturers handbook for maximum carrying capacity. Always use the lower of the two figures. Load must be evenly distributed over the entire Pioneer. Weight of roof rack accessories is to be included in cargo allowance.

**Torque settings**

Unless stated otherwise in these instructions, all fasteners should be set to the following torque settings - M6: 4-5Nm (3-4lbs/ft), M8: 8-10Nm (6-7.5lbs/ft) and M10: 16-18Nm (12-13lbs/ft).

**Warning:**

- Check Part No. and/ or Kit is correct for use with your vehicle
- Do not attempt to fit the rack system to your vehicle unless you fully understand these fitting instructions. Please direct any questions regarding fitting to the dealer from where the roof racks were purchased.
- **Use only non-stretch fastening ropes or straps.**
- The handling characteristics of the vehicle changes when you transport a load on the roof. For safety reasons we recommend you exercise extreme care when transporting wind-resistant loads. Special consideration must be taken into account when cornering and braking.
- Although the system is tested and approved to AS1235-2000 / ISO 11154, off-road conditions can be much more rigorous. Extreme care must be taken in off road conditions.
- Roof racks must be removed when vehicle is put through an automatic car wash.

**Recommendations:**

It is essential that all bolt connections be checked after driving a short distance when you first install your roof racks. Bolt connections should be checked again at regular intervals (once a week is enough, depending on road conditions, usage, loads and distances travelled). You should also check the roof racks each time they are re-fitted. Always make sure to fasten your load securely. Please also ensure that all loads are evenly distributed and that the centre of gravity is kept as low as possible and must be entirely contained within the extents of the roof racks.

**Note for Dealers and Fitters:**

It is your responsibility to ensure these fitting instructions are given to the end user or client

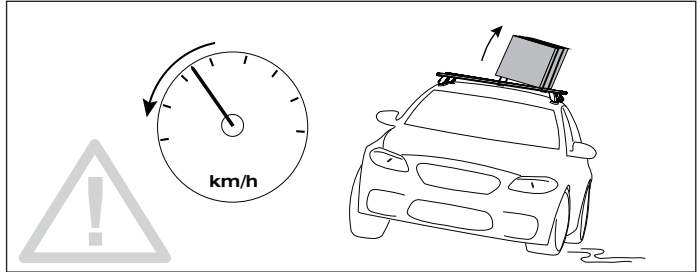
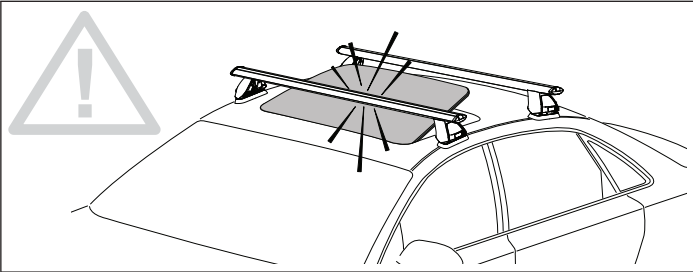
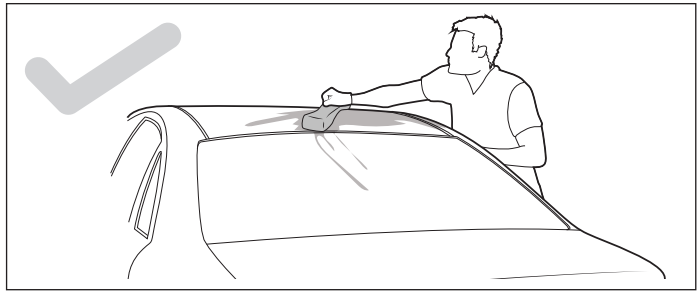
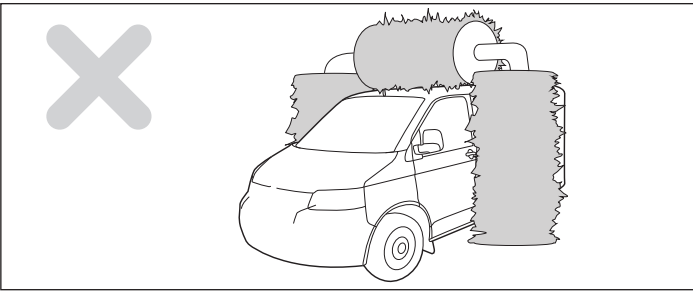
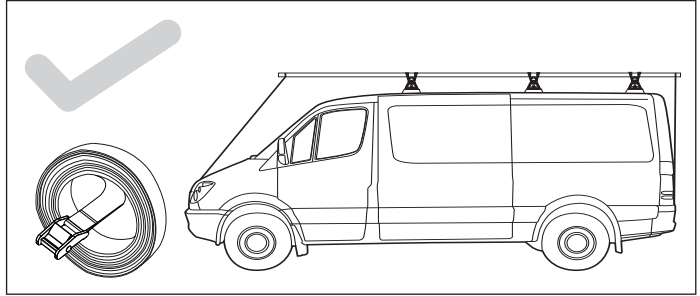
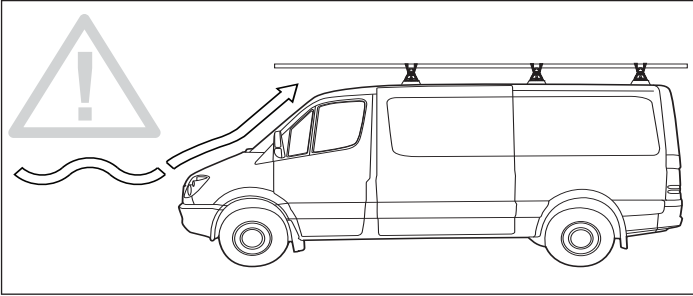
Rhino-Rack, 22 Hanson Pl, Eastern Creek  
NSW 2766, Australia  
(02) 8846 1900  
rhinorack.com.au

Document No: R1283  
Issue No: 03  
Issue Date: 02/04/2019

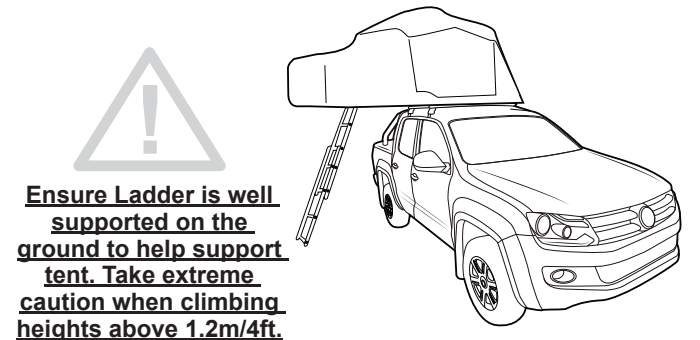
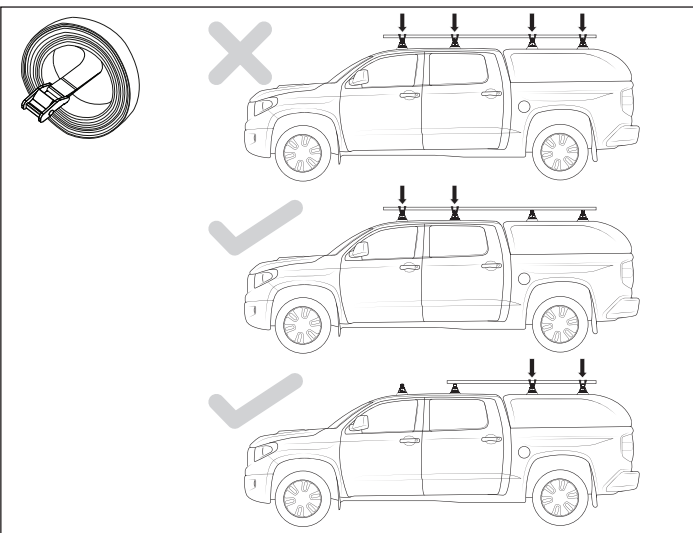
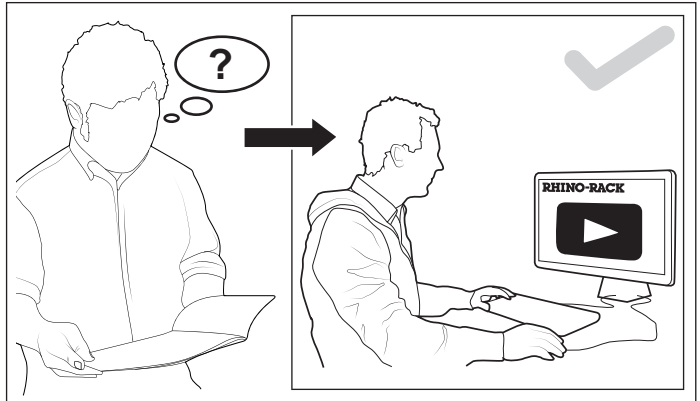
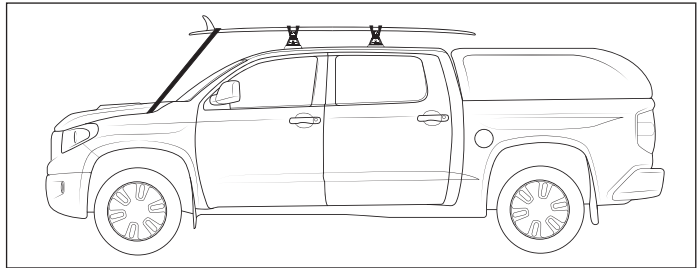
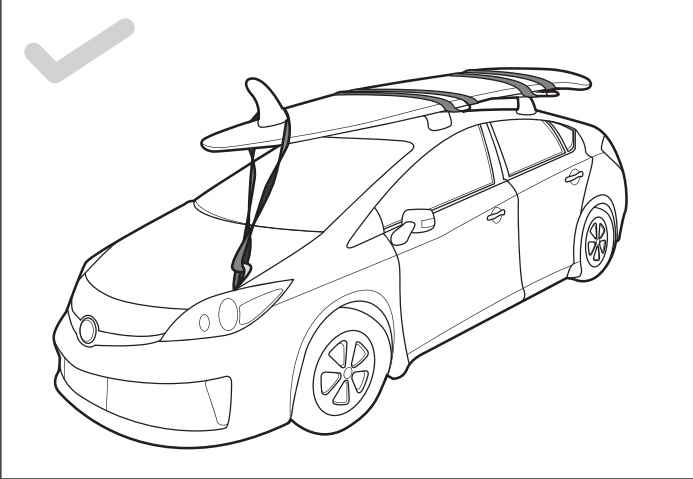
These instructions remain the property of Rhino-Rack Australia Pty. Ltd. and may not be used or changed for any other purpose than intended.



# RCP18-BK - VE Commodore Sedan



Paddle/ Surfboards should be fixed to the front of the vehicle.



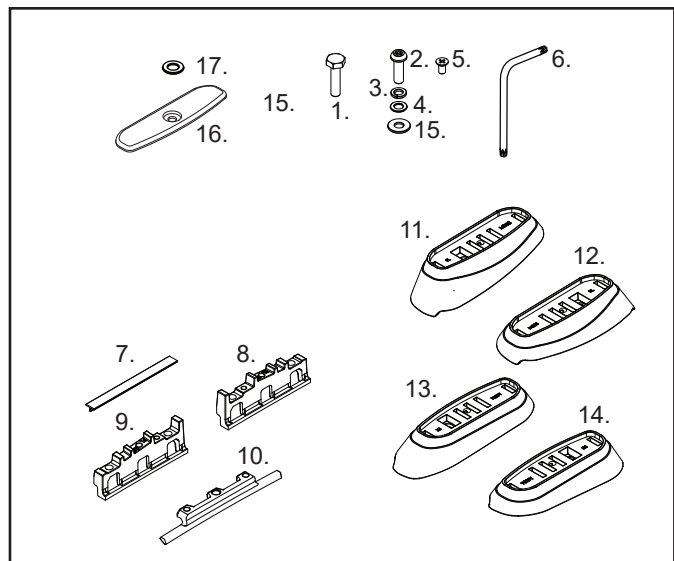
**Ensure Ladder is well supported on the ground to help support tent. Take extreme caution when climbing heights above 1.2m/4ft.**



# RCP18-BK - VE Commodore Sedan

## Parts List

Item	Component Name	Qty	Part No.
1	M6 x 25mm Hex Screw	4	B001
2	M6 x 16mm Torx T27 Screw	8	B242
3	M6 Spring Washer	12	W004
4	M6 12.5mm Flat Washer	8	W003
5	M5 x 10mm C'sk Screw	4	B164
6	T27 Torx Key	1	H054
7	T Extrusion (100mm)	8	R051
8	Foot Casting FL/RR (with C652)	2	C612
9	Foot Casting FR/RL (with C652)	2	C613
10	Clamp Casting (with Z013)	4	C611
11	Front Right Pad	1	M334
12	Rear Right Pad	1	M336
13	Front Left Pad	1	M333
14	Rear Left Pad	1	M335
15	M6 x 16mm Flat Washer	4	W031
16	Mount Pad Cover	4	M126
17	M6 Washer (used on cover plate)	4	W003
18	Instructions	1	R1283



### Tools Required:

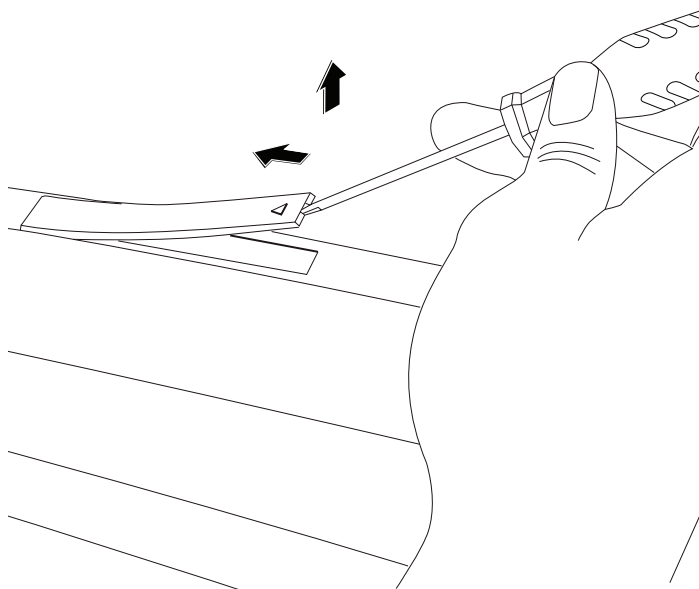
- Flat Screwdriver (Small)
- Phillips Screwdriver - Scissors
- Security Key (provided in kit)
- 10mm socket wrench

### Note:

Items 7 and 8 are to be use in Wagon models only.

## Instructions

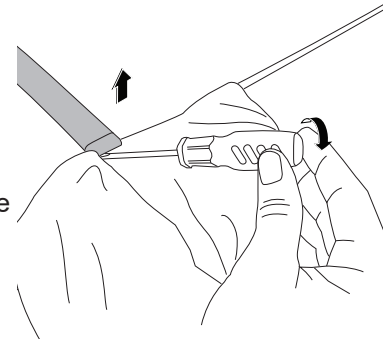
- 1 Remove Plastic Covers:** Using a small flat screwdriver remove the plastic covers from the roof of the vehicle as indicated.



- 2 Remove Turret Strip from Vehicle:**

### Step A:

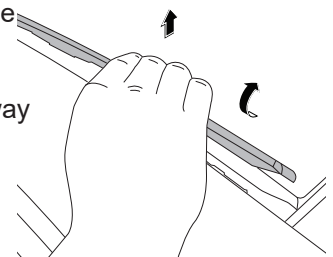
Place a rag on the vehicle at the rear of the turret strip to protect the paint work. Using a small flat screwdriver prise the end of the turret strip up to release the end.



### Step B:

Grab the free end of the turret strip and in one action twist the strip towards the centre of the vehicle and lift up. You should feel the plastic retaining clips release. Take care not to snap the fastening clips.

Continue to work your way towards the front of the vehicle using this same action until the strip is completely removed.



Repeat this step on the other side of the vehicle.

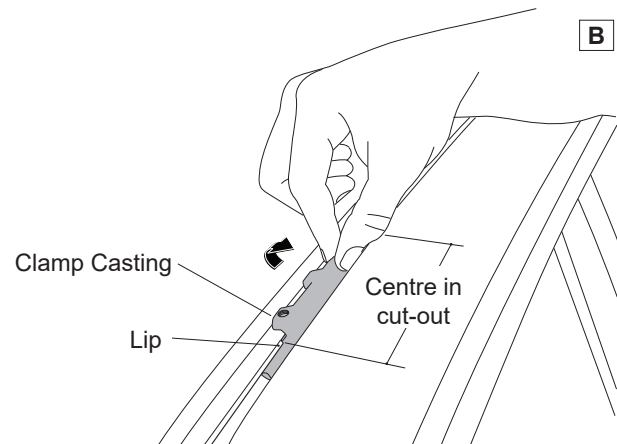
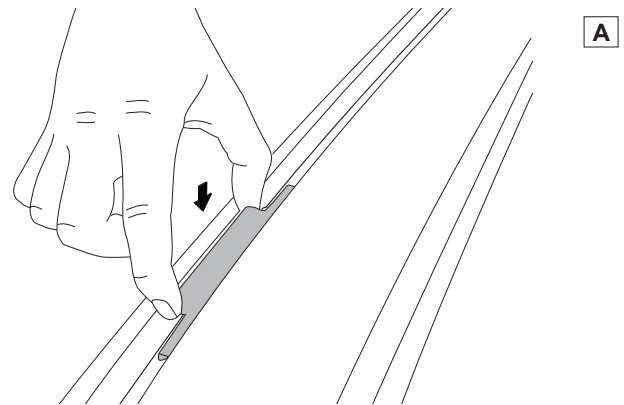
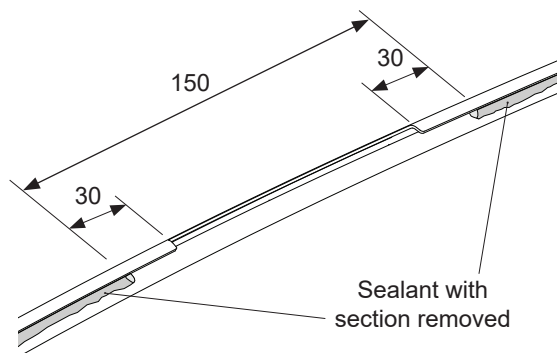


## RCP18-BK - VE Commodore Sedan

### 3 Insert Clamp Casting:

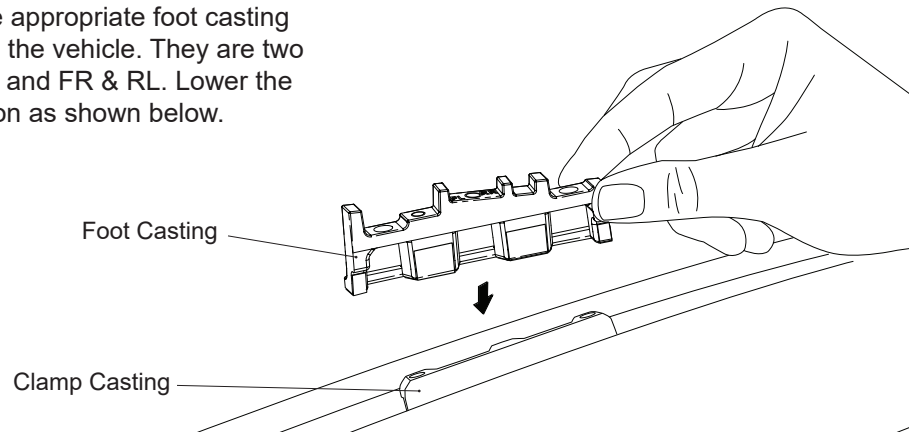
Position the clamp casting as shown in image A and lower the clamp into position. Be sure to align clamp to the centre of the cut-out in the vehicle roof. Rotate the clamp casting as shown in image B so that the clamp casting sits under the lip of the roof panel.

**Note:** If difficulty is experienced due to excess sealant on the vehicle, remove the sealant with a screwdriver in the area shown. It is essential that the area is re-sealed with Butyl Mastic and allowed to dry fully before fitting the castings.

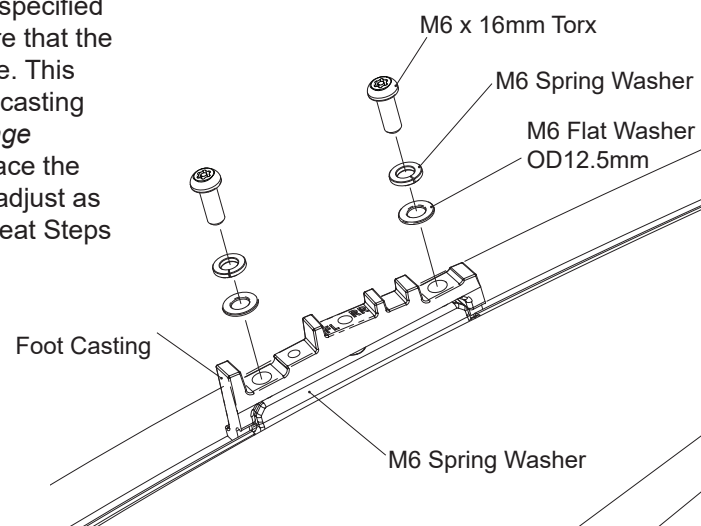
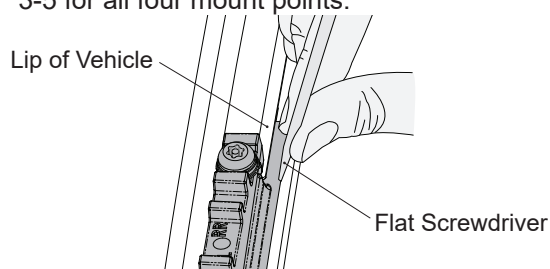


**4 Position Foot Casting:** Select the appropriate foot casting for the position you are working on the vehicle. They are two different castings marked FL & RR and FR & RL. Lower the appropriate foot casting into position as shown below.

FL = Front Left  
FR = Front Right  
RL = Rear Right  
RR = Rear Left



**5 Clamp Castings in position:** Using the hardware specified loosely fasten the castings to the vehicle. Make sure that the clamp casting is secured under the lip of the vehicle. This can be achieved by pushing the ends of the clamp casting under the lip with a small flat screwdriver (*refer image below*). Be careful not to scratch the paint work. Place the turret strip over the castings to check position and adjust as necessary. Remove strip and tighten securely. Repeat Steps 3-5 for all four mount points.

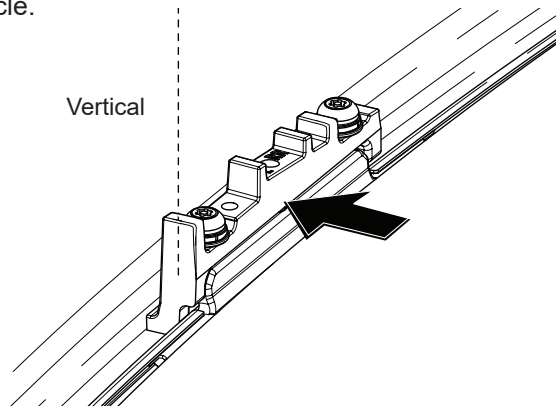




## RCP18-BK - VE Commodore Sedan

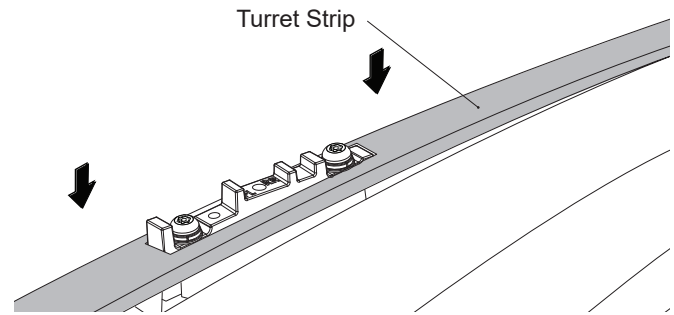
### Check

The top pad mouldings are designed to hold the castings upright/vertical when fitted in place, this provides greater clamp pressure of the castings. As a check gently push the casting towards the centre of the vehicle until the castings are sitting vertical. In this position the castings should have a firm hold on the vehicle.

**6**

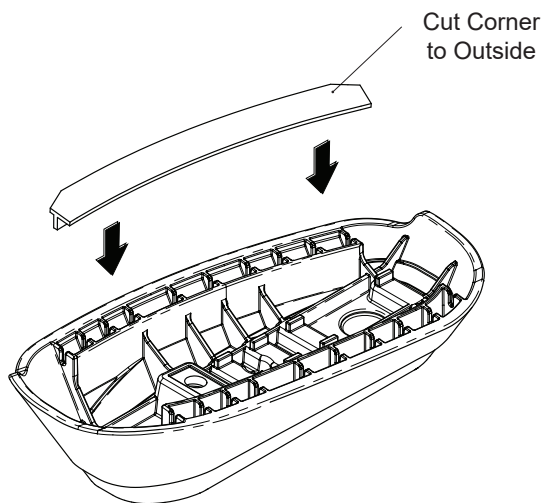
**Replace Turret Strip:** Lower the turret strip over the castings and check the alignment between the castings and the cut-outs. If the castings do not match the turret strip you may have to adjust their position so that the turret strip slides easily over the top of the castings.

Once you have lowered the turret strip in place, gently push down on the strip until it has snapped securely in place along its entire length.

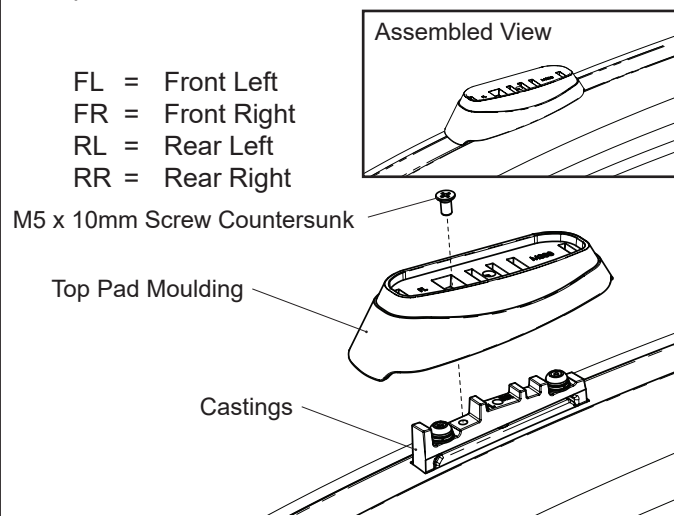
**7**

### Insert T Extrusion into Mouldings:

Insert the T extrusions into each of the top pad mouldings as indicated. You will need to insert a T extrusion on either side of the top pads with the cut corners facing out.

**8**

**Fasten Top Pads to Castings:** Using the hardware detailed below fix each of the top pad mouldings to the appropriate casting. There are four different top pads each marked FL, FR, RL & RR. Be sure when lowering the pad into position that the T extrusion remains seated within the top pad and sits flat on the vehicle roof.

**9**

Install the crossbars as per corresponding instructions and the M6 x 25mm hex screws provided.

If at any time the roof rack crossbars are removed from the vehicle it is required that you fit the supplied cover plates to the top pad mouldings. Install as shown

**Note:** Store your original hardware as it will be required when the roof racks are re-fitted to the vehicle.

