

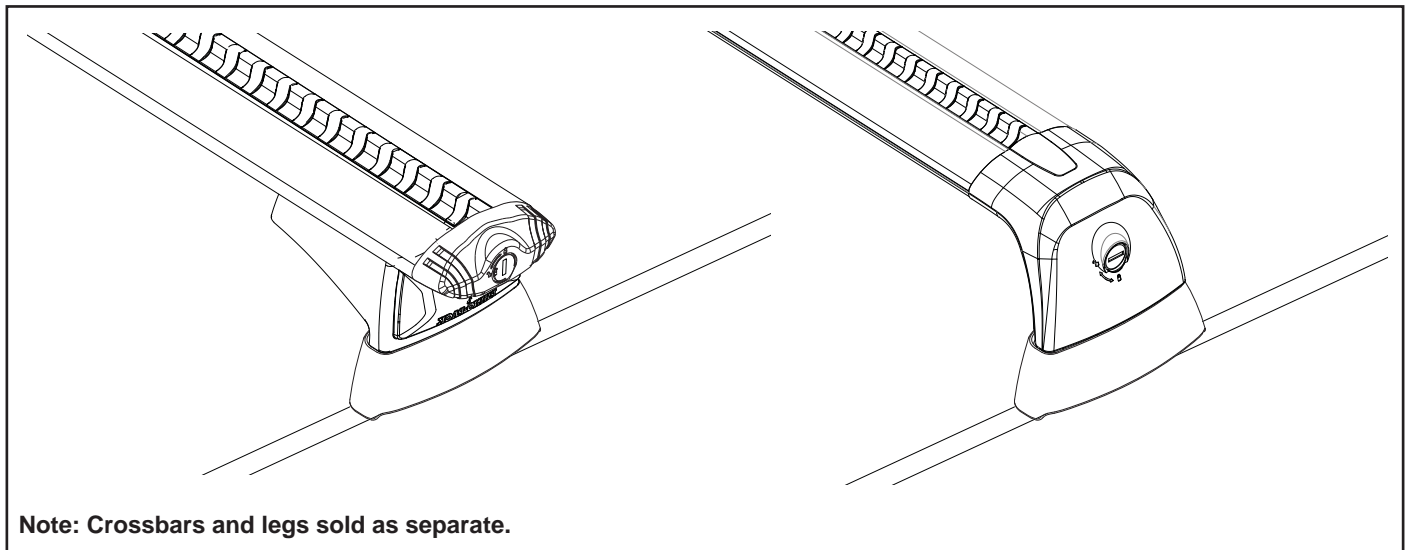


CONTROLLED

RHINO-RACK

RCP14-BK Renault Trafic, Nissan Primastar, Vauxhall Vivaro, Opel Vivaro Pad Kit.

Important: Please read these instructions carefully prior to installation.
Please refer to your fitting instruction to ensure that the roof racks are installed in the correct locations.
Check the contents of kit before commencing fitment and report any discrepancies



Note: Crossbars and legs sold as separate.

Important Information

1. Check Part No./Kit is correct
2. Read through instruction before installing
3. Fit roof rack accessory
4. Check and recheck all fasteners are secure

Maximum carrying capacity: 100kg evenly distributed over the crossbars. Note: Be sure to check the Rhino-Rack website to see if you have the latest version of instructions before beginning

Recommendations:

It is essential that all bolt connections be checked after driving a short distance when you first install your crossbars. Bolt connections should be checked again at regular intervals (probably once a week is enough, depending on road conditions, usage, loads and distances travelled). You should also check the crossbars each time they are re-fitted. Make sure to fasten your load securely. Please ensure that all loads are evenly distributed and that the centre of gravity is kept as low as possible.

Use only non-stretch fastening ropes or straps.

Sensitivity to crosswinds, behaviour in curves and braking.

The handling characteristics of the vehicle, changes when you transport a load on the roof. For safety reasons, we recommend you exercise extreme care when transporting wind-resisting loads; special consideration must be taken into account when braking.

Please remove crossbars when putting vehicle through an automatic car wash.

Load Ratings:

Maximum permissible load is 100kg per pair of crossbars (include the weight of the crossbars, 5kg). When crossbars are to be used in off-road conditions, please build a safety factor of 1.5 into this load limit, 66kg off-road. Although the crossbars are tested and approved to AS1235-2000, off-road conditions can be much more rigorous. However, increasing the number of crossbars does not increase the vehicles maximum permissible roof loading.

Note for Dealers and Fitters:

It is your responsibility to ensure instructions are given to the end user or client.

Rhino-Rack
3 Pike Street, Rydalmere,
NSW 2116, Australia.
(Ph) (02) 9638 4744
(Fax) (02) 9638 4822

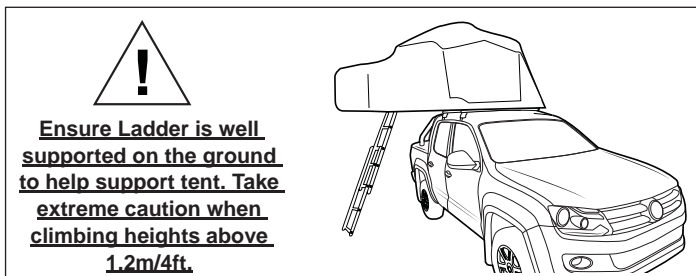
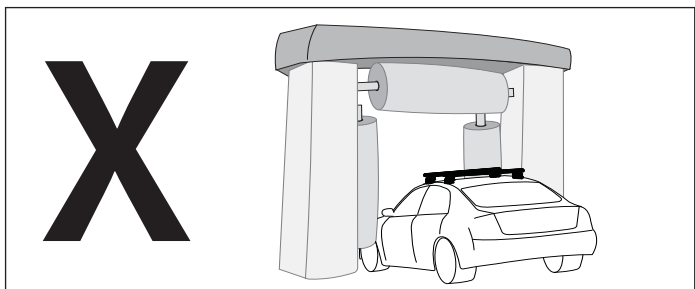
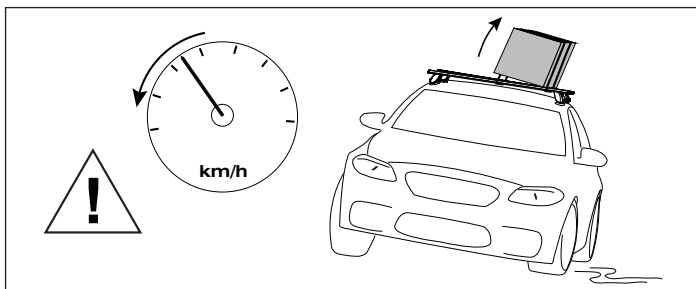
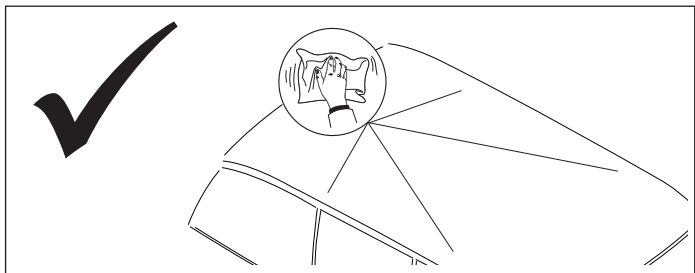
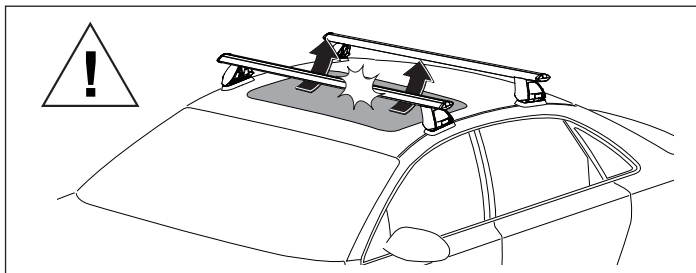
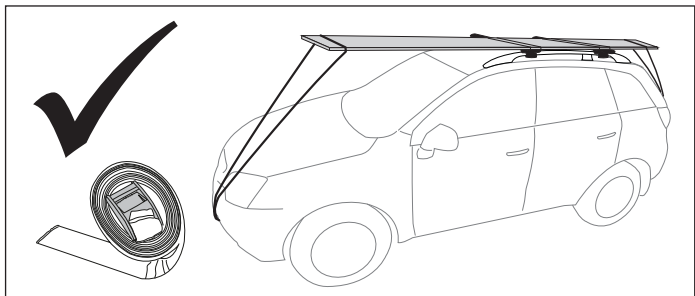
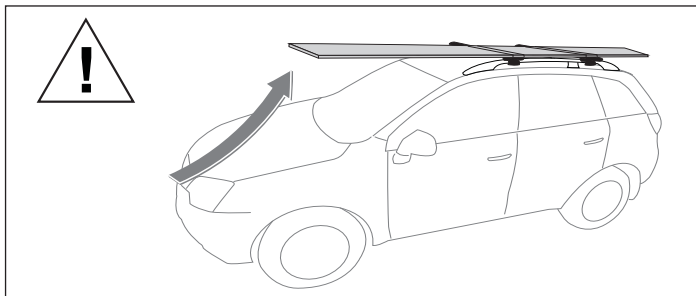
Document No: R1321
Prepared By: Kayle Everett
Authorised By: Chris Murty

Fit Time: 20min
Issue No: 01
Issue Date:06/04/2017

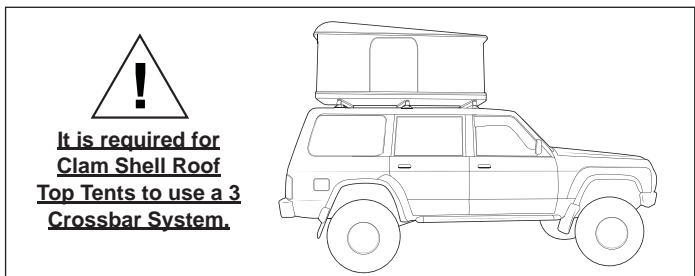
These instructions remain the property of Rhino Rack Australia Pty. Ltd. and may not be used or changed for any other purpose than intended.



RCP14-BK Renault Trafic, Nissan Primastar, Vauxhall Vivaro, Opel Vivaro Pad Kit.

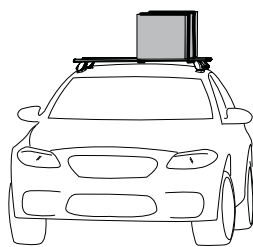


Ensure Ladder is well supported on the ground to help support tent. Take extreme caution when climbing heights above 1.2m/4ft.

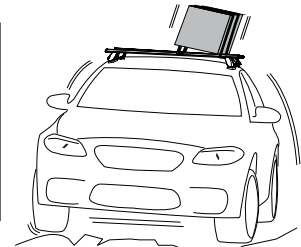


It is required for Clam Shell Roof Top Tents to use a 3 Crossbar System.

When these roof racks are to be used on a vehicle that is driven off sealed roads the maximum load rating must be divided by 1.5. Remember to subtract the weight of the roof racks to determine your maximum permissible load capacity.



2 bars 100kg (220lbs) load rating (Urban road) = 2 bars 66kg (145lbs) load rating (Off road)
Load rating not taking into account crossbar weight - 5kg



WARNING! Important Load Carrying Instructions

With utility vehicles, the cabin and the canopy move independently. Roofracks and vehicle can be damaged if the item transported is rigidly fixed at points on both the cabin and canopy. Instead, rigidly fix to either the cabin roofracks or the canopy roofracks.

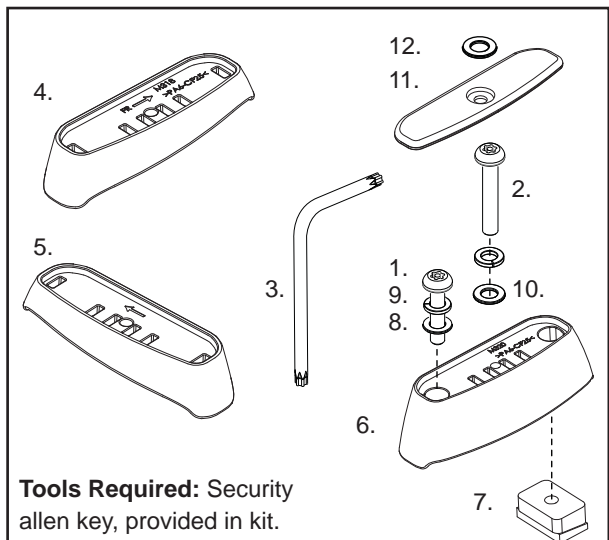
Paddle/ Surfboards should be fixed to the front of the vehicle.



RCP14-BK Renault Trafic, Nissan Primastar, Vauxhall Vivaro, Opel Vivaro Pad Kit.

Parts List

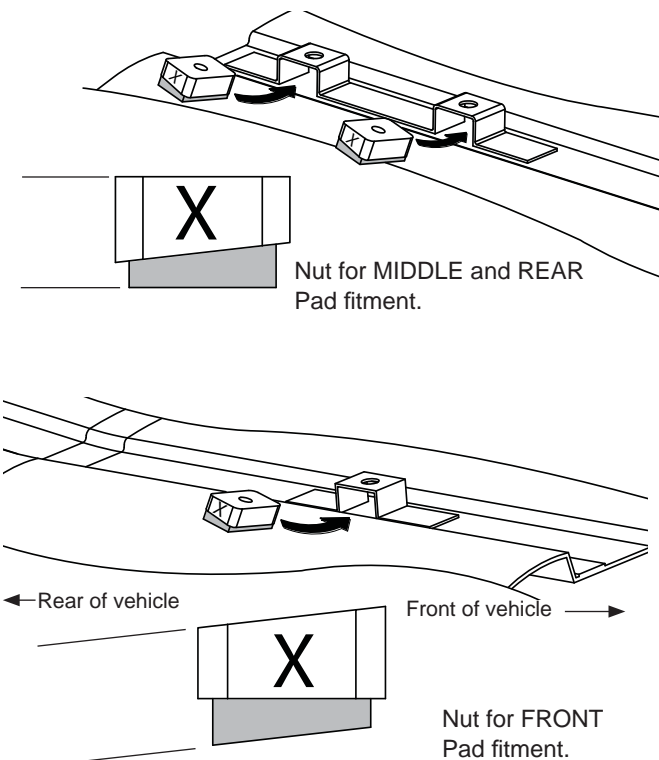
Item	Component Name	F	M/R	2 Bar	Part No.
1	M6 x 20mm Torx Screw	-	4	4	B243
2	M6 x 27mm Torx Screw	2	2	4	B245
3	T27 Torx Key Key	1	1	1	H054
4	Front Right Pad	1	-	1	M318
5	Front Left Pad	1	-	1	M319
6	Middle Rear Pad	-	2	2	M320
7	M6 Angled Cast Nut	-	4	6	N048
8	M6 x 12.5mm Flat Washer	-	4	4	W003
9	M6 Spring Washer	2	6	8	W004
10	M6 x 16mm Flat Washer	2	2	4	W031
11	Pad Cover	2	2	4	M126
12	M6 Washer (used on cover plate)	2	2	4	W003
13	Instructions	1	1	1	R1321



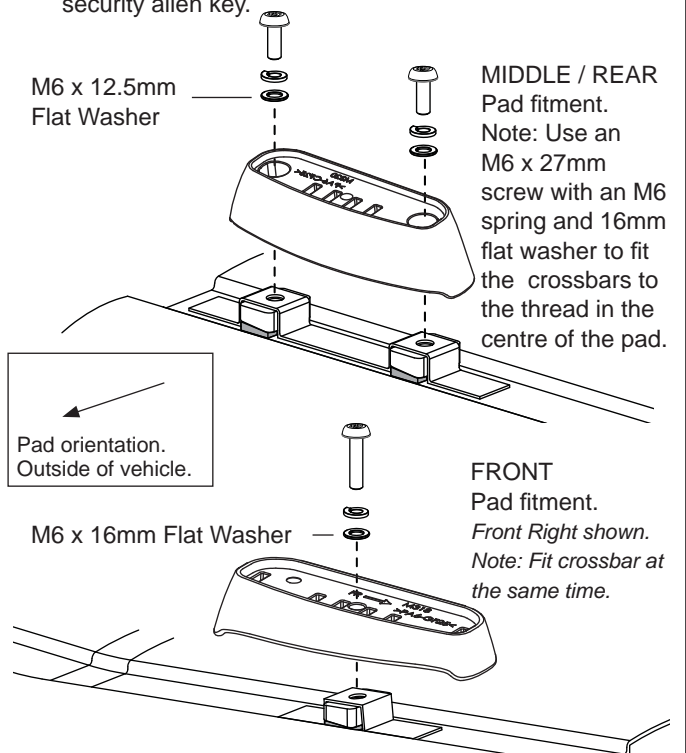
Tools Required: Security allen key, provided in kit.

Instructions

1 Place the appropriate M6 nuts (Front or Rear) into the "U" shape fixing points on the roof with the foam side facing down.



2 Assemble the spring and flat washers onto the M6 x 20mm (Middle/Rear pads) and M6 x 27mm torx screw (Front pad). Insert the screws through the top holes and into the M6 nuts. Tighten to 3-4N/m with the supplied security allen key.



3 When crossbars are not in use, remove them and install the pad cover plates as shown.

