

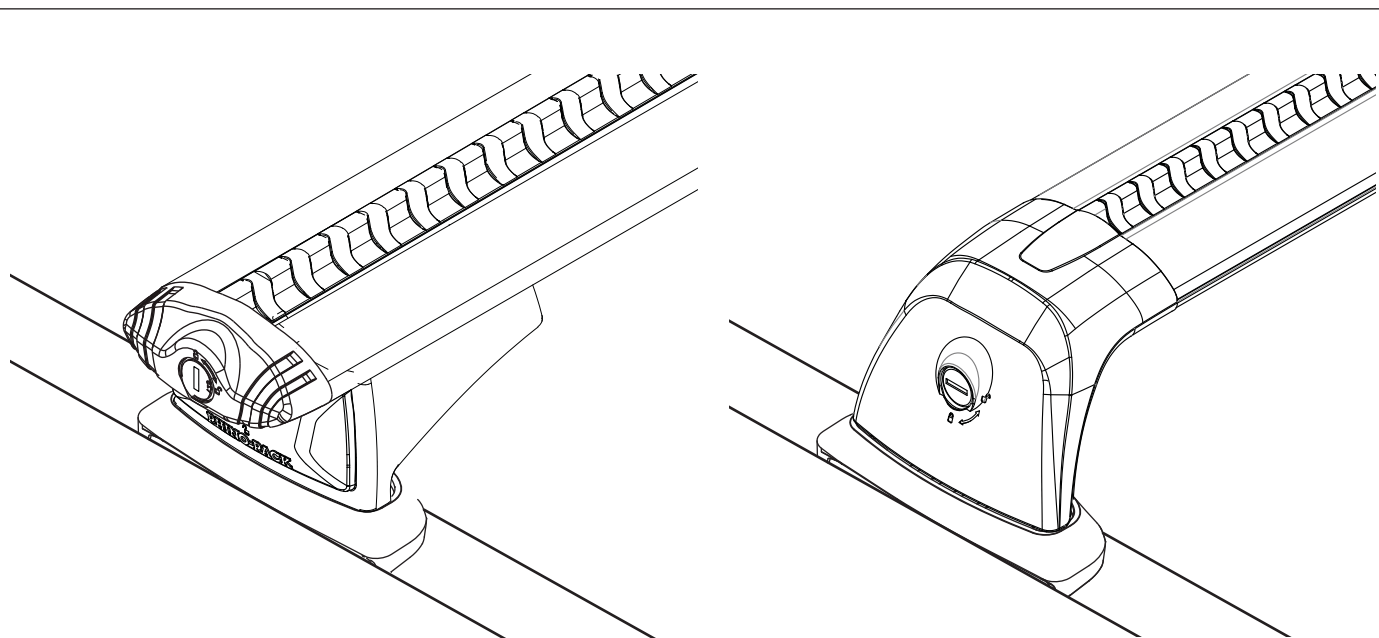


**CONTROLLED**

# RHINO-RACK

## RCP09-BK Pad Kit

**Important:** Please read these instructions carefully prior to installation.  
Please refer to your fitting instruction to ensure that the roof racks are installed in the correct locations.  
Check the contents of kit before commencing fitment and report any discrepancies



**Note:** Crossbars and legs sold as separate.

### Maximum roof load: 75kg

1.  Check Part No./Kit is correct
2.  Read through instruction before installing
3.  Fit roof rack accessory
4.  Check and recheck all fasteners are secure

**Refer to vehicle manufacturers handbook for maximum roof loading. Always use lower of the two figures. Note: Be sure to check the Rhino-Rack website to see if you have the latest version of instructions before beginning installation.**

**Recommendations:** It is essential that all bolt connections be checked after driving a short distance when you first install your crossbars. Bolt connections should be checked again at regular intervals (probably once a week is enough, depending on road conditions, usage, loads and distances travelled). You should also check the crossbars each time they are refitted. Make sure to fasten your load securely. Please ensure that all loads are evenly distributed and that the centre of gravity is kept as low as possible. **Crossbars must be removed when putting vehicle through an automatic car wash.**

**Carrying Loads:** Use only non-stretch fastening ropes or straps to secure your load.

**Caution:** The handling characteristics of the vehicle change when you transport a load on the roof. For safety reasons we recommend you exercise extreme care when transporting wind-resistant loads. Special consideration must be taken into account when cornering and braking.

#### Load Ratings:

Maximum permissible load is 75kg (165lbs) for two crossbars including the weight of the crossbars, 5kg (11lbs). When crossbars are to be used in off-road conditions, please build a safety factor of 1.5 into this load limit for off-road use, two crossbars = **50kg (110lbs)**. Although the crossbars are tested and approved to AS1235-2000, off-road conditions can be much more rigorous. However, increasing the number of crossbars does not increase the vehicles maximum permissible roof loading.

#### Note for Dealers and Fitters:

It is your responsibility to ensure instructions are given to the end user or client.

Rhino-Rack  
3 Pike Street, Rydalmere,  
NSW 2116, Australia.  
(Ph) (02) 9638 4744  
(Fax) (02) 9638 4822

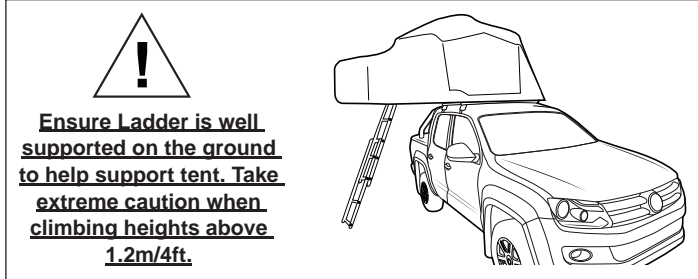
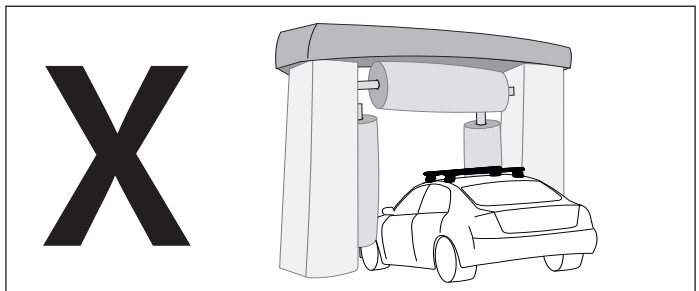
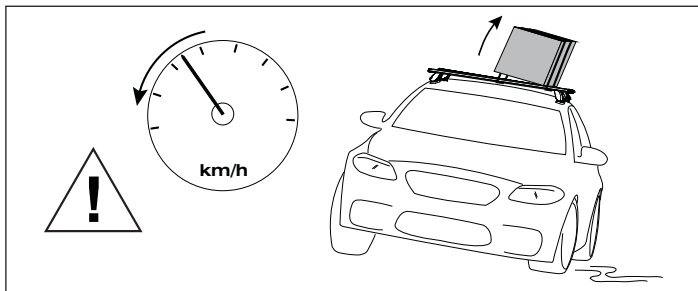
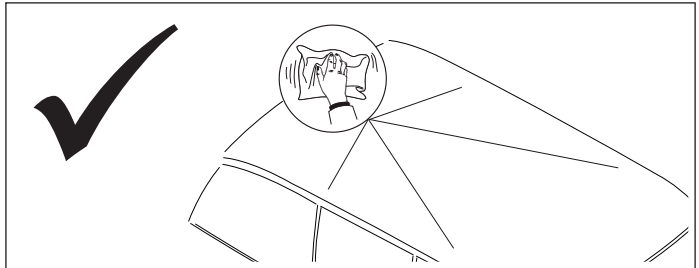
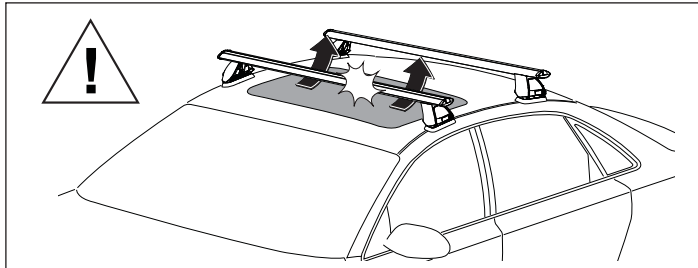
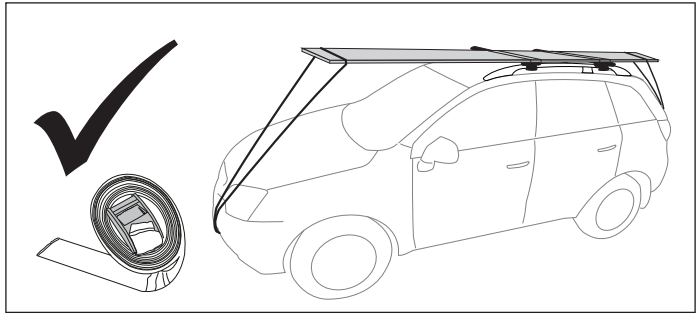
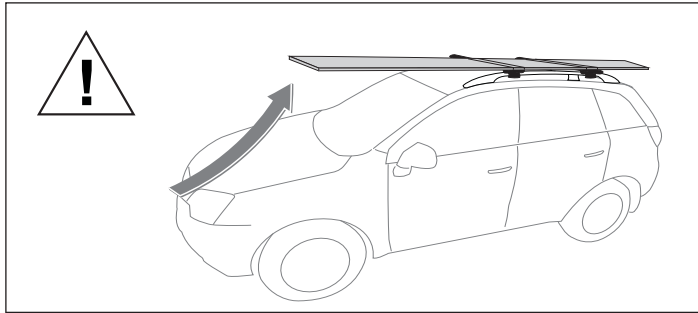
Document No: R1318  
Prepared By: Kayle Everett  
Authorised By: Chris Murty

Fit Time 30min  
Issue No: 01  
Issue Date: 04/04/2017

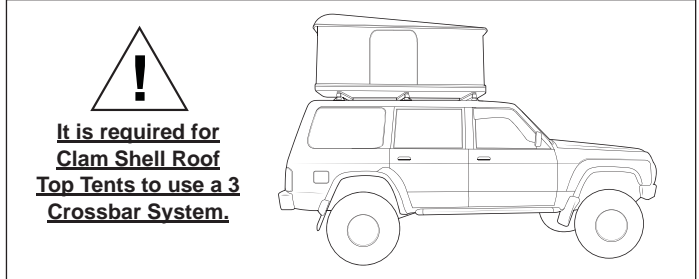
These instructions remain the property of Rhino-Rack Australia Pty. Ltd. and may not be used or changed for any other purpose than intended.



# RCP09-BK Pad Kit

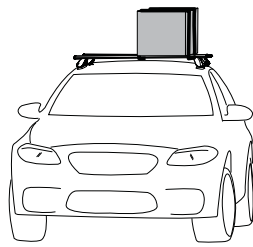


**Ensure Ladder is well supported on the ground to help support tent. Take extreme caution when climbing heights above 1.2m/4ft.**

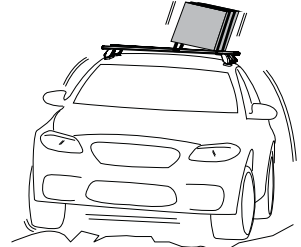


**It is required for Clam Shell Roof Top Tents to use a 3 Crossbar System.**

When these roof racks are to be used on a vehicle that is driven off sealed roads the maximum load rating must be divided by 1.5. Remember to subtract the weight of the roof racks to determine your maximum permissible load capacity.

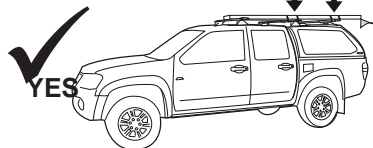
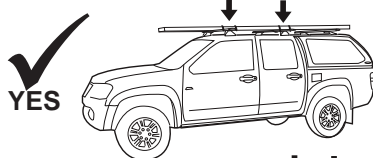
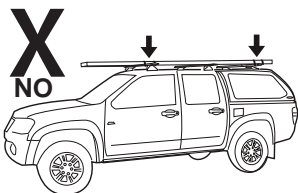


**2 bars 75kg (165lbs) load rating (Urban road) = 2 bars 50kg (110lbs) load rating (Off road)**  
**Load rating not taking into account crossbar weight - 5kg**

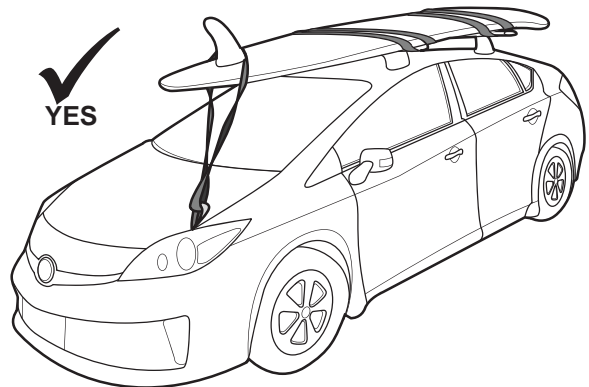


## WARNING! Important Load Carrying Instructions

With utility vehicles, the cabin and the canopy move independently. Roof racks and vehicle can be damaged if the item transported is rigidly fixed at points on both the cabin and canopy. Instead, rigidly fix to either the cabin roof racks or the canopy roof racks.



Paddle/ Surfboards should be fixed to the front of the vehicle.





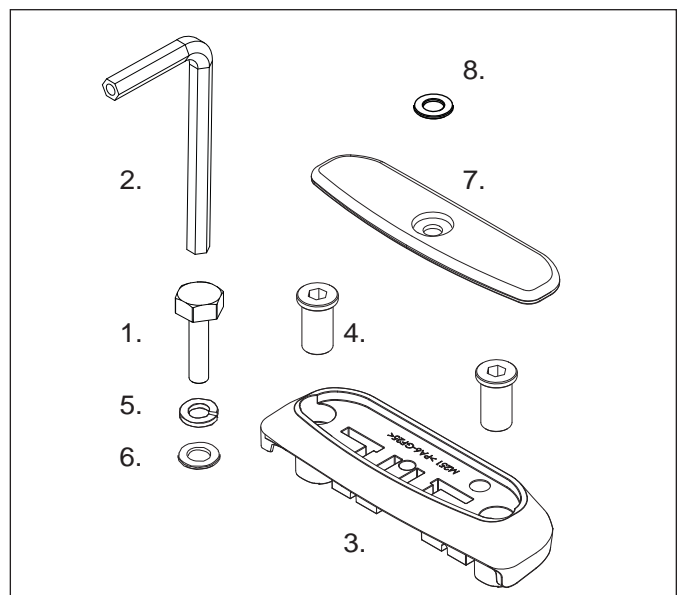
# RCP09-BK Pad Kit

## Parts List

Item	Component Name	Qty	Part No.
1	M6 x 25mm Setscrew	4	B001
2	5mm Allen Key	1	H021
3	Honda MDX Pad	4	M251
4	Tube Nut	8	N038
5	M6 Spring Washer	4	W004
6	M6 x 16mm Flat Washer	4	W031
7	Mount Pad Cover	4	M126
8	M6 Washer (used on cover plate)	4	W003
9	Instructions	1	R1318

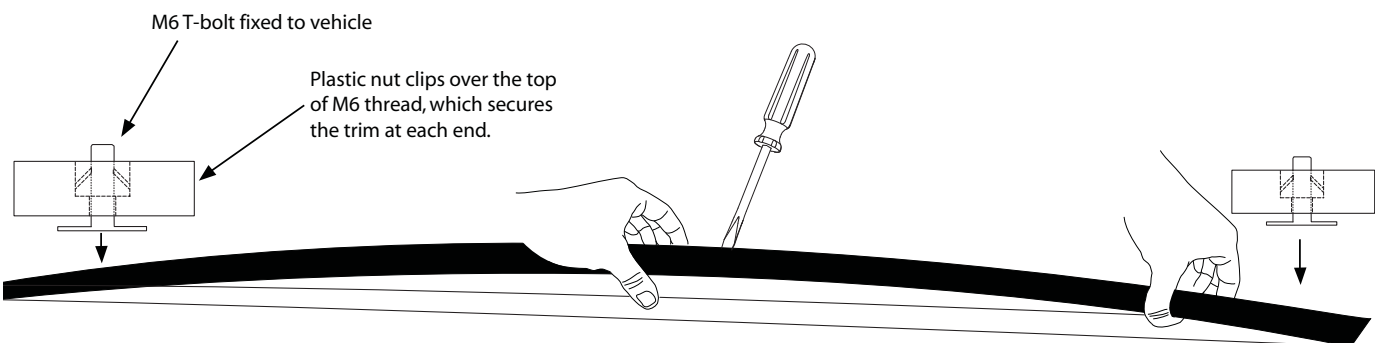
### Tools Required

- Allen, provided in kit
- Flat Head screwdriver
- Phillips Head drill bit or screwdriver
- Marking Pen
- Hacksaw

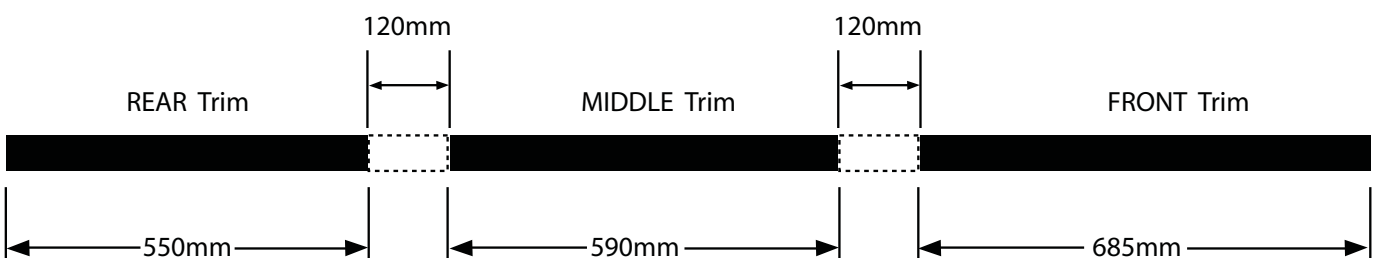


## Instructions

- Remove Roof Trim. Wrap tape around a flathead screwdriver and carefully lever the roof trim from the middle then lift slowly with fingers. On the underside there is one plastic clip at each end (85mm from the Rear and 60mm from the Front). Slide your fingers towards each end and gently lift trim until it is unclipped.



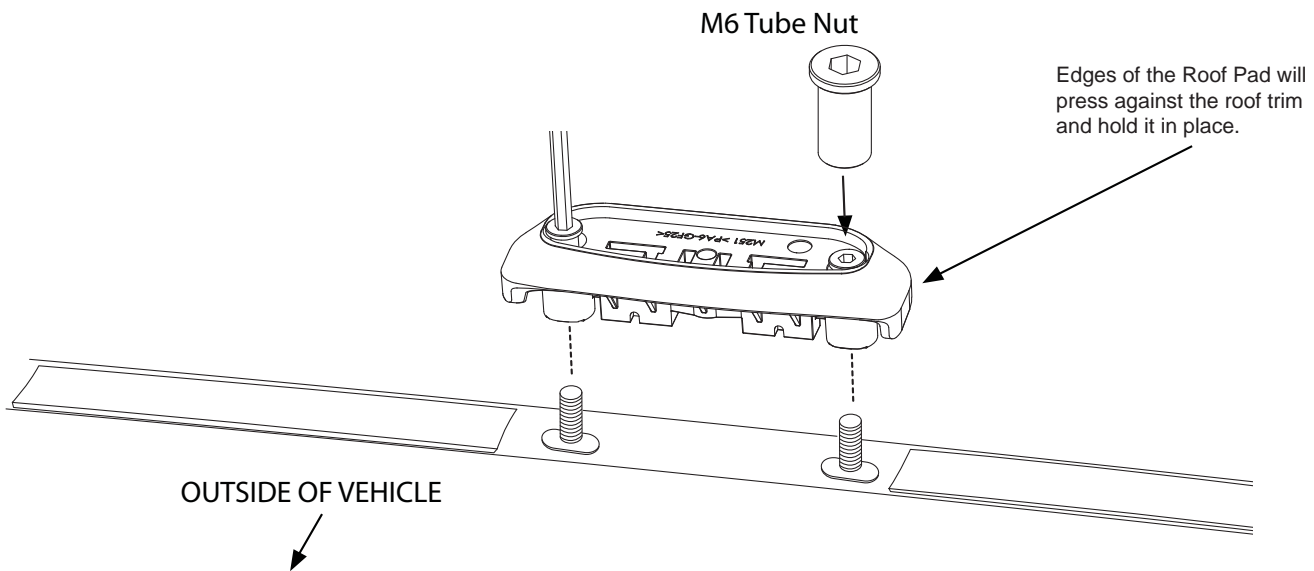
- The roof trim has to be cut to the sizes shown so that it will sit neatly under and be held in by the edge of the MDX roof pads when they are screwed into position. A hacksaw is recommended to cut the trim. 120mm of trim in two spots has to be removed from each side. While the trim is out wipe out any dirt to give the pads a clean surface to sit on.





## RCP09-BK Pad Kit

- 3** Clip the front and rear roof trim in place and sit the centre piece evenly between the two sets of M6 threads sticking up. Place the M6 tube nuts into the MDX roof pads first then place onto the threads and fasten using the allen key supplied. Tighten to 3-4N/m.



- 4** Fit crossbars to pads as be corresponding instructions. When the roof crossbars and legs are removed the roof pads can be covered for protection with the mounting pad cover plates.

