



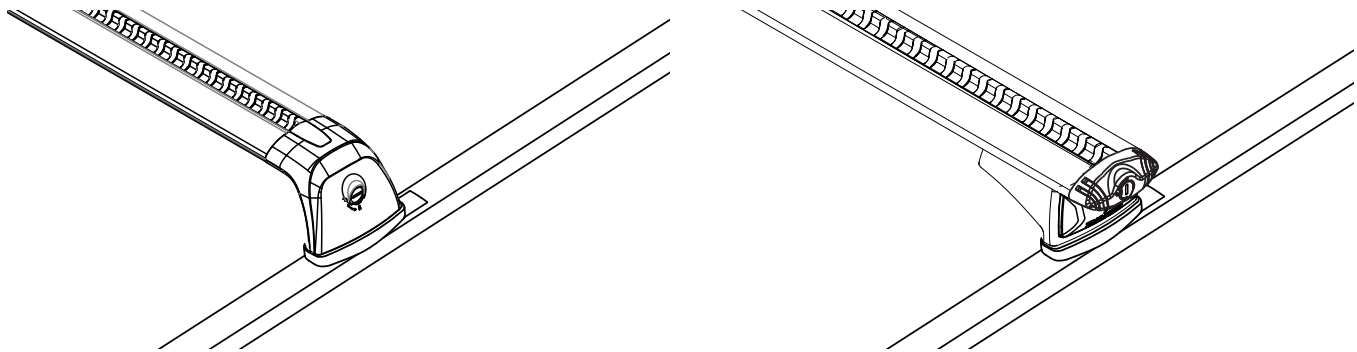
CONTROLLED

RHINO-RACK

RCP06-BK - Subaru Liberty Wagon Pad Kit

Place these instructions in the vehicle's glove box after installation is complete.

Important: Please read these instructions carefully prior to installation. Please refer to your fitting instruction to ensure that the roof racks are installed in the correct locations. Check the contents of kit before commencing fitment and report any discrepancies.



Note: Crossbars and legs sold as separate.

Important Information.

1. Check Part No./Kit is correct
2. Read through instruction before installing
3. Fit roof rack accessory
4. Check and recheck all fasteners are secure

Maximum carrying capacity: 60kg (132lbs) evenly distributed over the two cross bars. Note: Be sure to check the Rhino-Rack website to see if you have the latest version of instructions before beginning installation.

It is essential that all bolt connections be checked after driving a short distance when you first install your cross bars. Bolt connections should be checked again at regular intervals (probably once a week is enough, depending on road conditions, usage, loads and distances travelled). You should also check the cross bars each time they are refitted.

Make sure to fasten your load securely. Please ensure that all loads are evenly distributed and that the centre of gravity is kept as low as possible. **Use only non-stretch fastening ropes or straps.**

Sensitivity to cross winds, behaviour in curves and braking.

The handling characteristics of the vehicle, changes when you transport a load on the roof. For safety reasons, we recommend you exercise extreme care when transporting wind-resisting loads; special consideration must be taken into account when braking. **Please remove cross bars when putting vehicle through an automatic car wash.**

Load rating.

Maximum permissible load is 60kg (132lbs) per pair of cross bars (include the weight of the roof racks, 5kg). When crossbars are to be used in off-road conditions, please build a safety factor of 1.5 into this load limit. (40kg/88lbs for off-road use). Although the roof racks are tested and approved to AS1235-2000, Australian road conditions can be much more rigorous. However, increasing the number of cross bars does not increase the vehicles maximum permissible roof loading.

Note for Dealers and Fitters.

It is your responsibility to ensure instructions are given to the end user or client

Rhino-Rack

3 Pike Street, Rydalmere,

NSW 2116, Australia.

(Ph) (02) 9638 4744

(Fax) (02) 9638 4822

Document No: R1309

Prepared By: Kayle Everett

Authorised By: Chris Murty

Fit Time: 30min

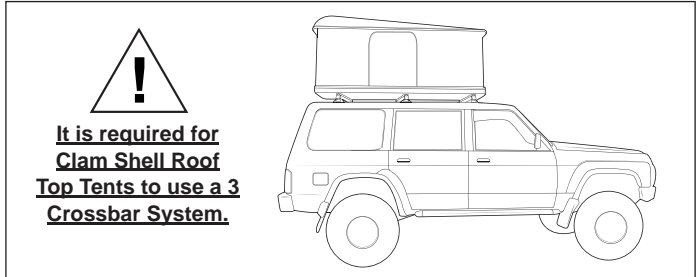
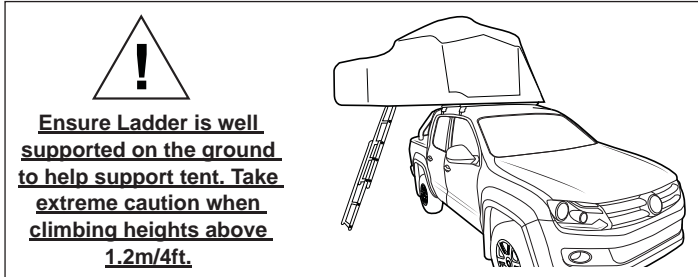
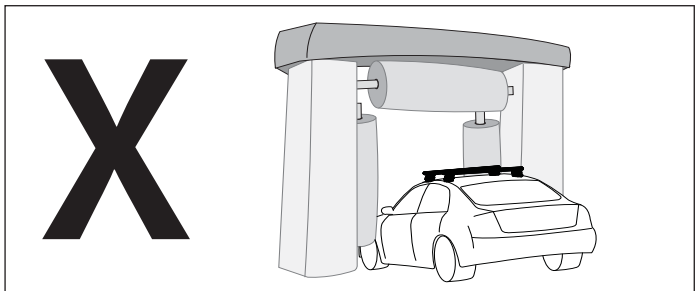
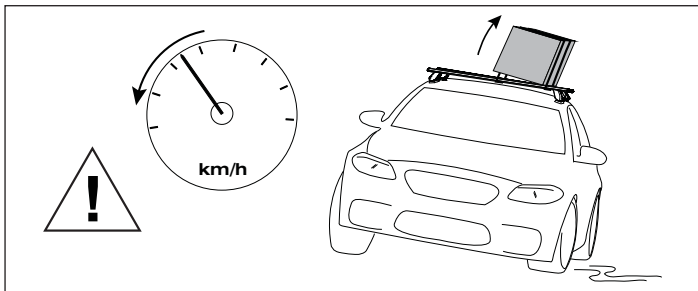
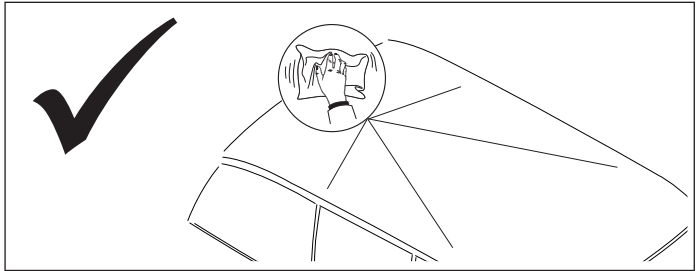
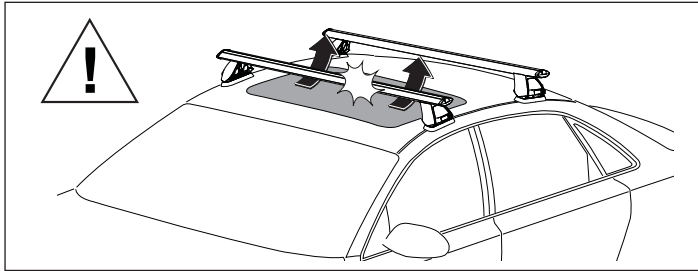
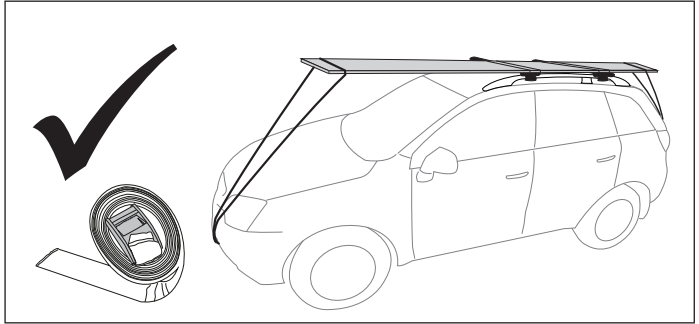
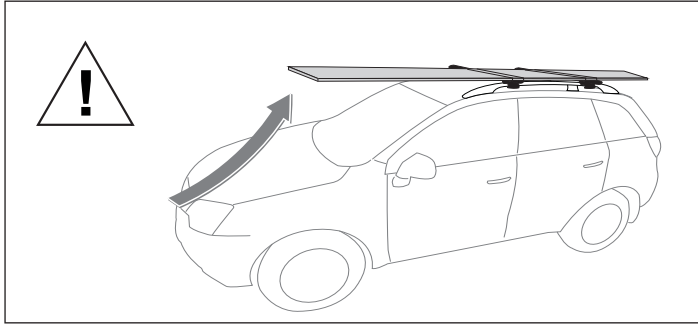
Issue No: 01

Issue Date: 27/03/2017

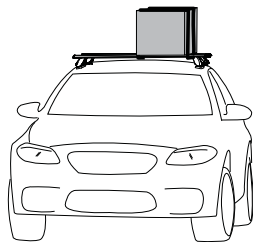
These instructions remain the property of Rhino Rack Australia Pty. Ltd. and may not be used or changed for any other purpose than intended.



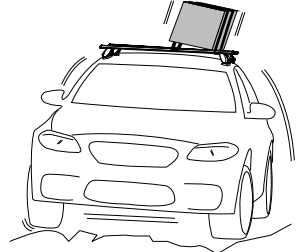
RCP06-BK - Subaru Liberty Wagon Pad Kit



When these roof racks are to be used on a vehicle that is driven off sealed roads the maximum load rating must be divided by 1.5. Remember to subtract the weight of the roof racks to determine your maximum permissible load capacity.

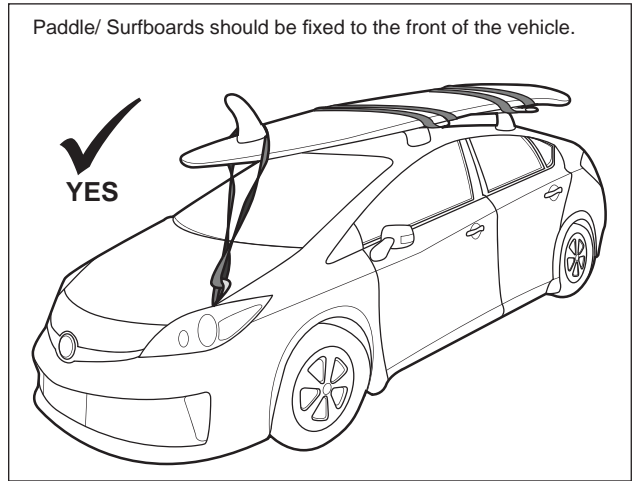


2 bars 60kg (132lbs) load rating (Urban road) = 2 bars 40kg (88lbs) load rating (Off road)
Load rating not taking into account crossbar weight - 5kg



WARNING! Important Load Carrying Instructions

With utility vehicles, the cabin and the canopy move independently. Roof racks and vehicle can be damaged if the item transported is rigidly fixed at points on both the cabin and canopy. Instead, rigidly fix to either the cabin roof racks or the canopy roof racks.

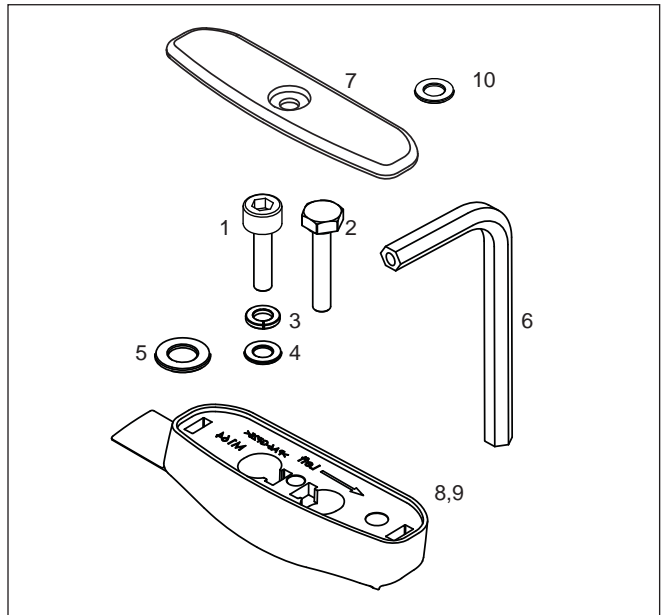




RCP06-BK - Subaru Liberty Wagon Pad Kit

Parts List

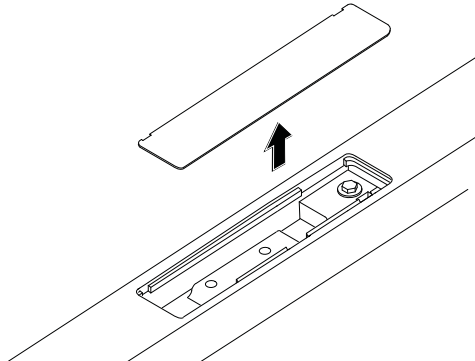
Item	Component Name	Qty	Part No.
1	M6 x 16mm Socket Screw	8	B031
2	M6 x 25mm Hex Setscrew	4	B001
3	M6 Spring Washer	12	W004
4	M6 x 12.5mm Flat Washer	8	W003
5	M6 x 16mm Flat Washer	4	W031
6	5mm Allen Key	1	H021
7	Mounting Cover Plate	4	M126
8	Liberty Mount Plate Left	2	M164
9	Liberty Mount Plate Right	2	M165
10	M6 Washer (used on cover plate)	4	W003
11	Instructions	1	R1309



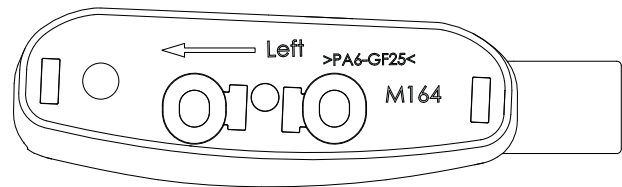
Tools Required Allen key, provided in kit
Phillips head screw driver
Small Flat Blade Screwdriver

Instructions

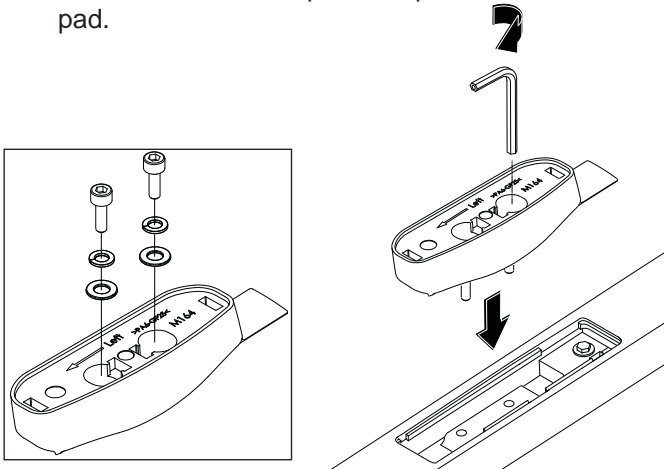
- 1** Remove the four covers from the roof rack mounting locations by carefully inserting a small bladed screwdriver into the cut outs in the rear of the cover and lever upwards carefully.



- 2** Each mounting pad is identified left or right. Note: The right hand side of the vehicle is the driver's side.



- 3** Assemble the spring and flat washers (M6 x 12.5mm) onto the security M6 x 16mm screws. Insert the screws into the pad mounting holes and place pads into the roof rack attachment recesses. Using the torx key carefully tighten. Recommended tightening torque 3-4N/m. **DO NOT OVERTIGHTEN.** Repeat this process for each pad.



- 4** Assemble the spring and flat washers onto the hex screws. Install the crossbars using this M6 hardware. When crossbars are not in use, remove and install the mount pad covers as shown. Recommended tightening torque 3-4N/m. **DO NOT OVERTIGHTEN.**

