



# RHINO-RACK®

## RCP96-BK 3 Bar Leg Supplement

Volkswagen Caddy Gen5 SWB, Ford Transit Connect Gen3 SWB & Ford Tourneo Connect Gen3 SWB

### Carrying Capacity

Check your vehicle owners hand book for vehicle maximum carrying capacity. Please ensure you use the vehicle manufacturer's maximum roof allowance if it is lower than the figure listed in this instruction.

Load must be evenly distributed over the system.



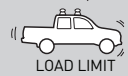

For your vehicle specific fitment rating, refer to the Rhino Rack online load rating calculator.

**For Pioneer Load Ratings, refer to the Pioneer Fitting Chart found through the link on Pg. 4**

VISIT THE ONLINE CALCULATOR FOR CURRENT SYSTEM LOAD LIMIT DATA



**DYNAMIC 3 CROSS BAR LOAD LIMIT (ON AND OFF ROAD):**  
 \*USE THE VEHICLE MANUFACTURER'S MAXIMUM ROOF ALLOWANCE IF IT IS LOWER THAN THE FIGURE LISTED

 CARGO	 SYSTEM WEIGHT	 LOAD LIMIT	OR	 Max kg
UP TO 92.5 KG 204 lbs	+ 7.5 KG 16.5 lbs	= UP TO 100 KG 220 lbs		*VEHICLE MANUFACTURER'S ROOF LOAD LIMIT



#### Cargo Load Limit

Total permissible weight allowed on top, and attached to roof racks whilst the vehicle is in motion.



#### System Weight

Total weight of the roof rack system. (e.g. Crossbars, Backbone, Platform)



#### Max System Load Capacity

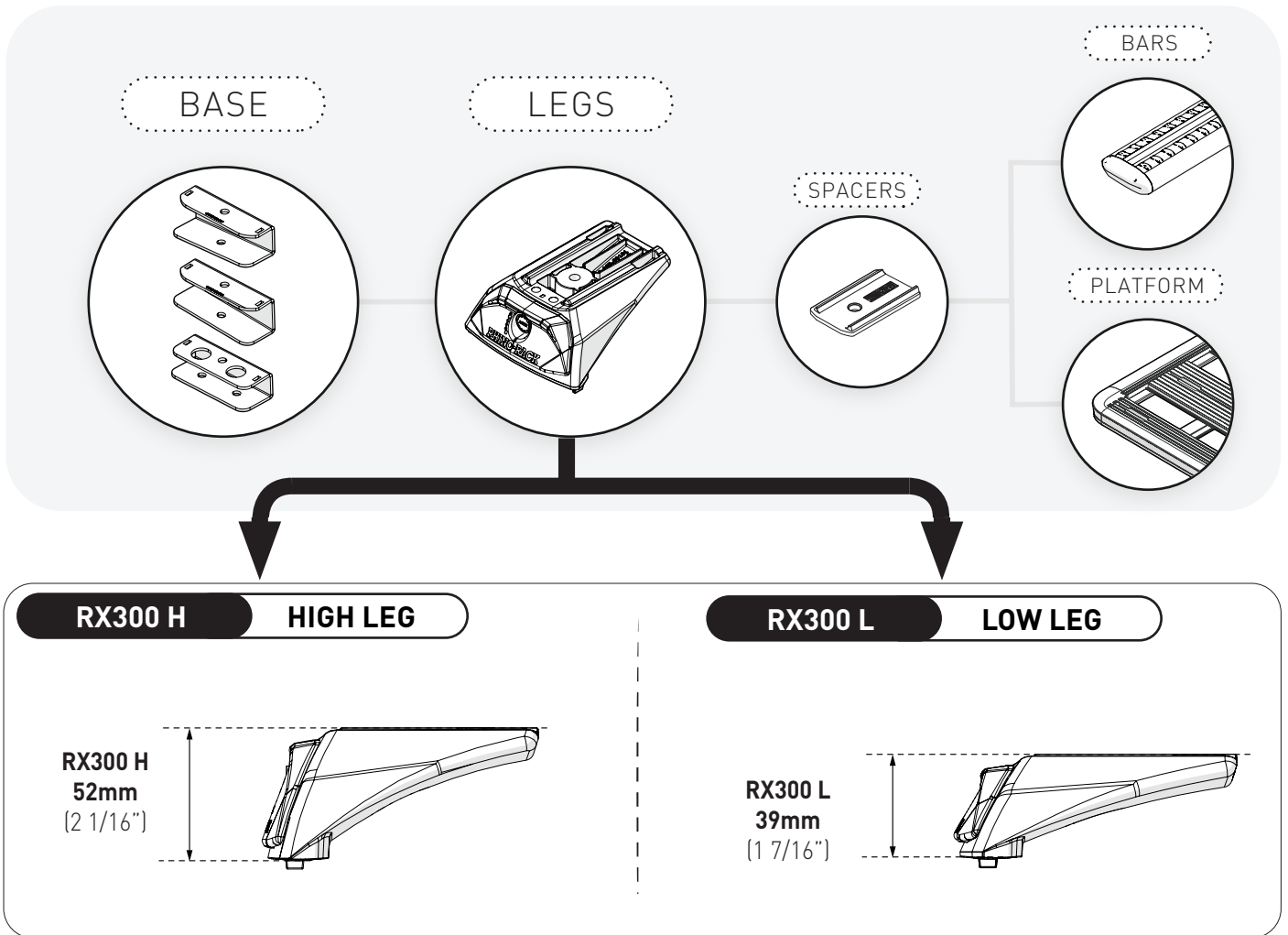
Please ensure you use the vehicle manufacturer's maximum roof allowance if it is lower than the figure listed in the fitting chart/supplement.



#### Vehicle Manufacturer's Load Limit

Total permissible weight attached to the roof of the car. This is inclusive of the weight of the roof rack system.

To complete the installation ensure you have **Base Kit, Legs, Spacers** and **Crossbars** or **Pioneer**.

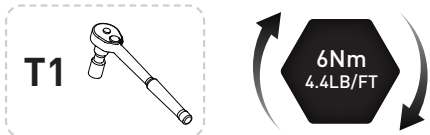
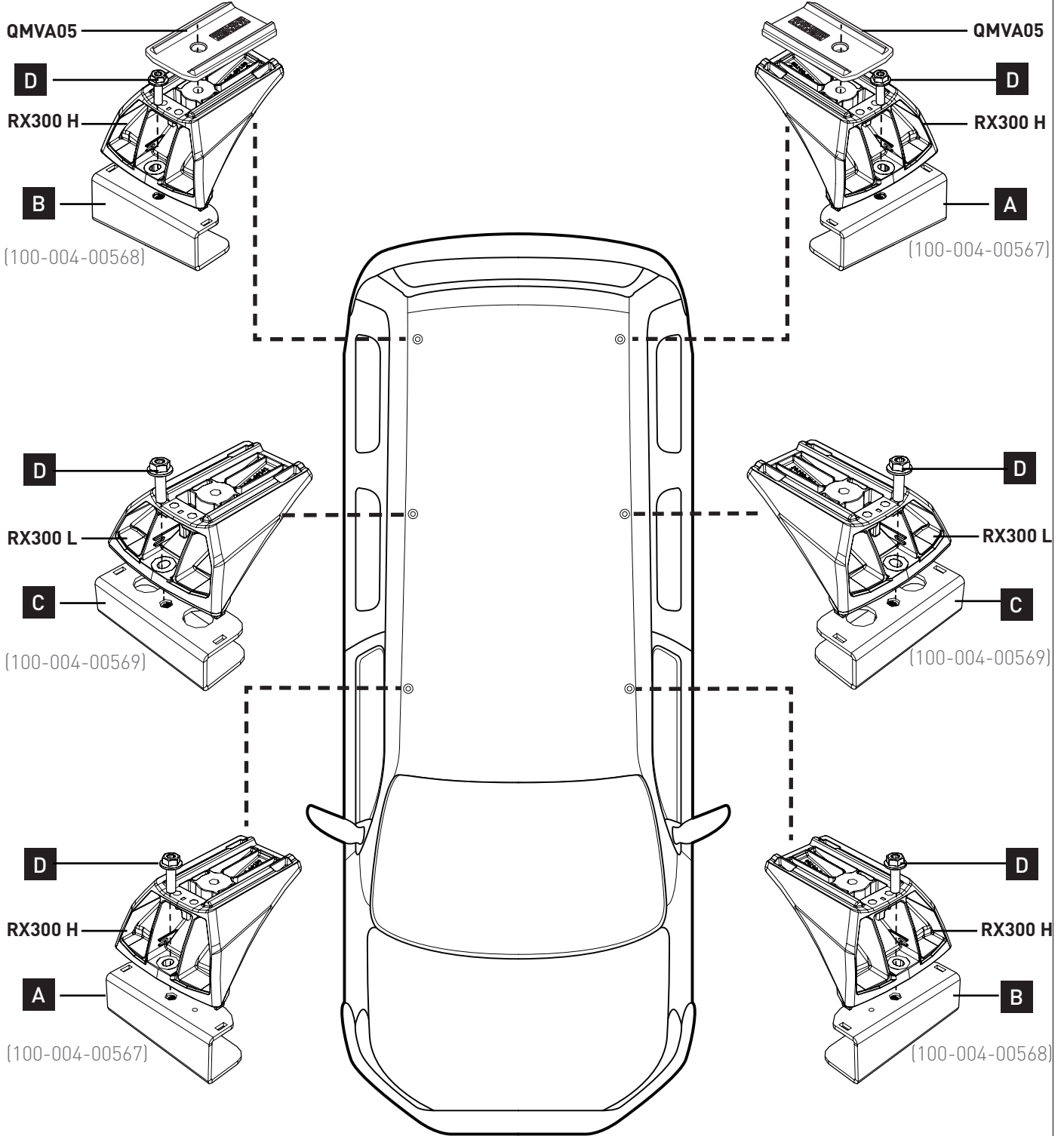


**Tools Required:**

- T1** - 10mm Socket Wrench/Spanner
- T2** - 13mm Socket Wrench/Spanner
- T3** - 5mm Allen Key *(supplied in RX300 leg kits)*

**1** Attach **brackets** and **spacers** to legs.

**A**, **B**, **C** & **D** components are referenced from the **RCP96-BK** kit.

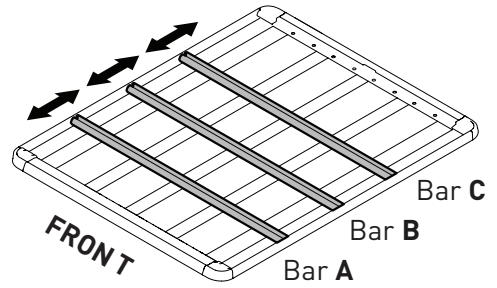




## PLATFORM INSTALLATION

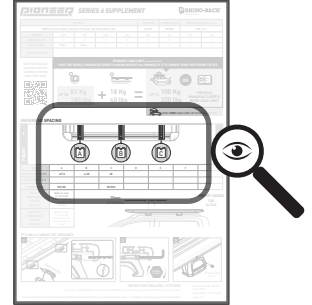
Proceed to PIONEER FITTING CHART to adjust Platform underbars.

Slide the legs loosely into your **Platform** before attaching the brackets to the vehicle roof.

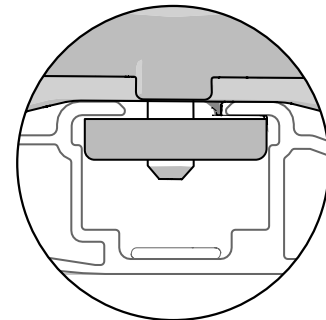
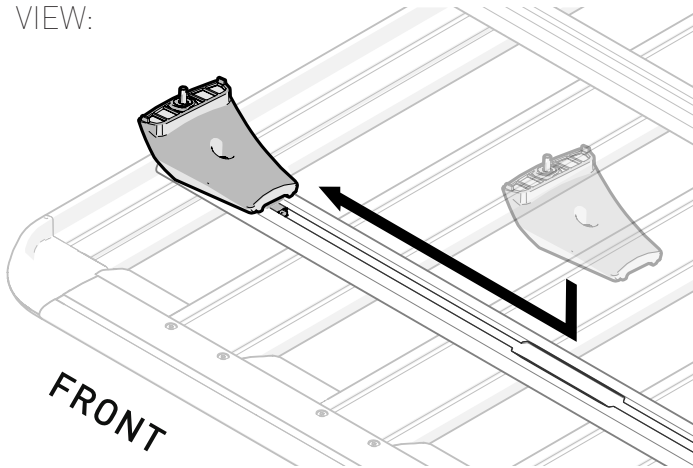


[rhinorack.com/roof](http://rhinorack.com/roof)

1. Complete **Fit my vehicle** journey
2. Select your **Product Solution**
3. Scroll down to '**Product Details**'
4. Download instructions under the '**INSTRUCTIONS**' tab



UNDERSIDE VIEW:



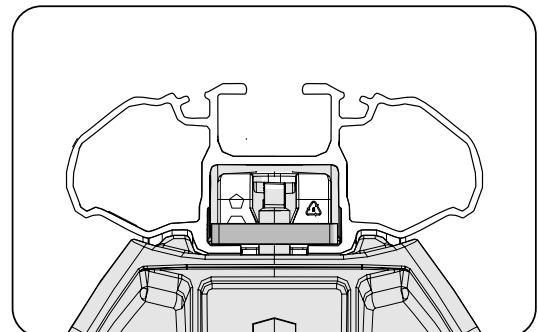
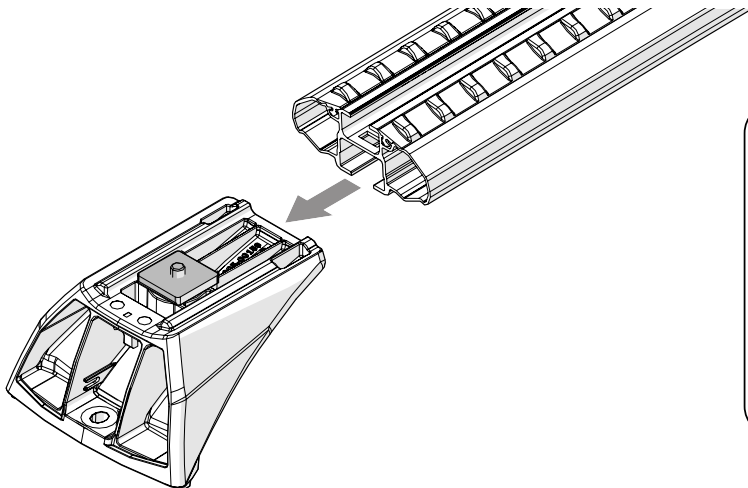
SIDE



## CROSSBAR INSTALLATION

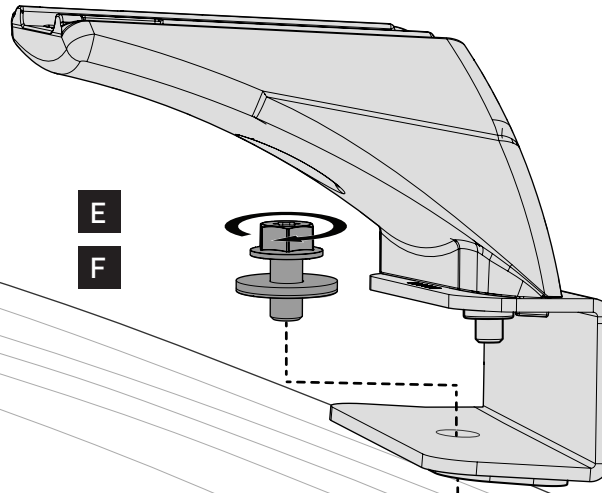
**NOTE**

Slide the legs loosely into your **Crossbars** before attaching the brackets to the vehicle roof.



**2** Use **E** and **F** to securely attach the brackets to your vehicle.

**T2**



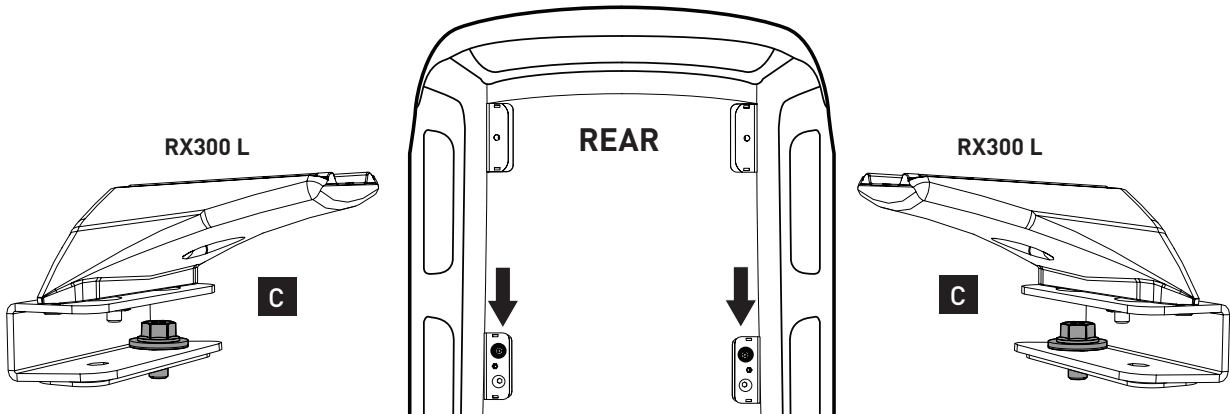
ROOF

OUTSIDE OF  
VEHICLE

**E** & **F** components are referenced from the **RCP96H-BK** kit.

**NOTE**

When securing the middle mount brackets **C** (100-004-00569) to your vehicle, always use the hole closest to the rear of the vehicle.



RX300 L

REAR

RX300 L

**C**

**C**