



# RHINO-RACK®

## RCP95-BK Leg Supplement

Peugeot Partner/Rifter SWB (Gen3),  
Citroën Berlingo SWB, Fiat Doblo SWB, Vauxhall/Opel  
Combo Cargo SWB, Toyota Proace City SWB

### Carrying Capacity





Check your vehicle owners hand book for vehicle maximum carrying capacity. Please ensure you use the vehicle manufacturer's maximum roof allowance if it is lower than the figure listed in this instruction. Load must be evenly distributed over the system.

For Pioneer Load Ratings, refer to the Pioneer Fitting Chart found in Step 4.

VISIT THE ONLINE CALCULATOR FOR CURRENT SYSTEM LOAD LIMIT DATA



**DYNAMIC 3 CROSS BAR LOAD LIMIT (ON AND OFF ROAD):**  
\*USE THE VEHICLE MANUFACTURER'S MAXIMUM ROOF ALLOWANCE IF IT IS LOWER THAN THE FIGURE LISTED

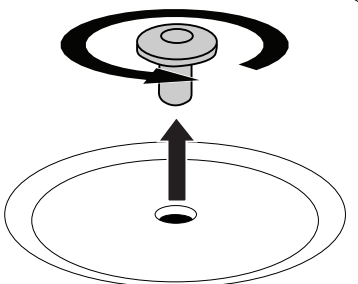
 CARGO	 SYSTEM WEIGHT	 LOAD LIMIT	OR	 Max kg
UP TO 92.5 KG 204 lbs	+ 7.5 KG 16.5 lbs	= UP TO 100 KG 220 lbs		*VEHICLE MANUFACTURER'S ROOF LOAD LIMIT

3 BARS

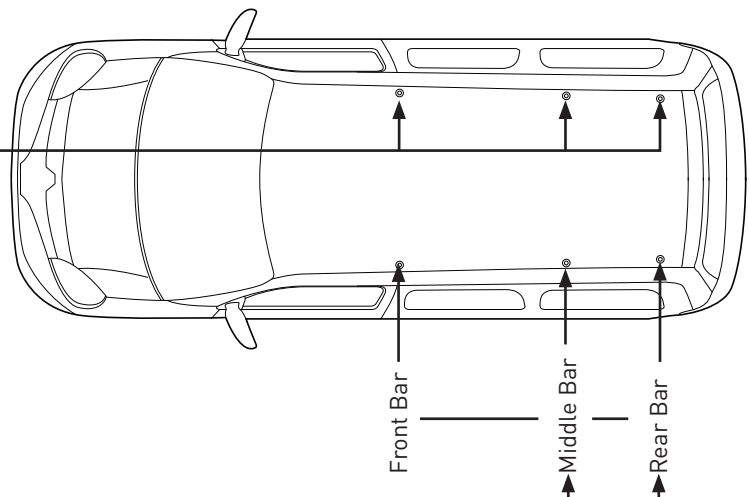


1 Remove **all** factory plugs.

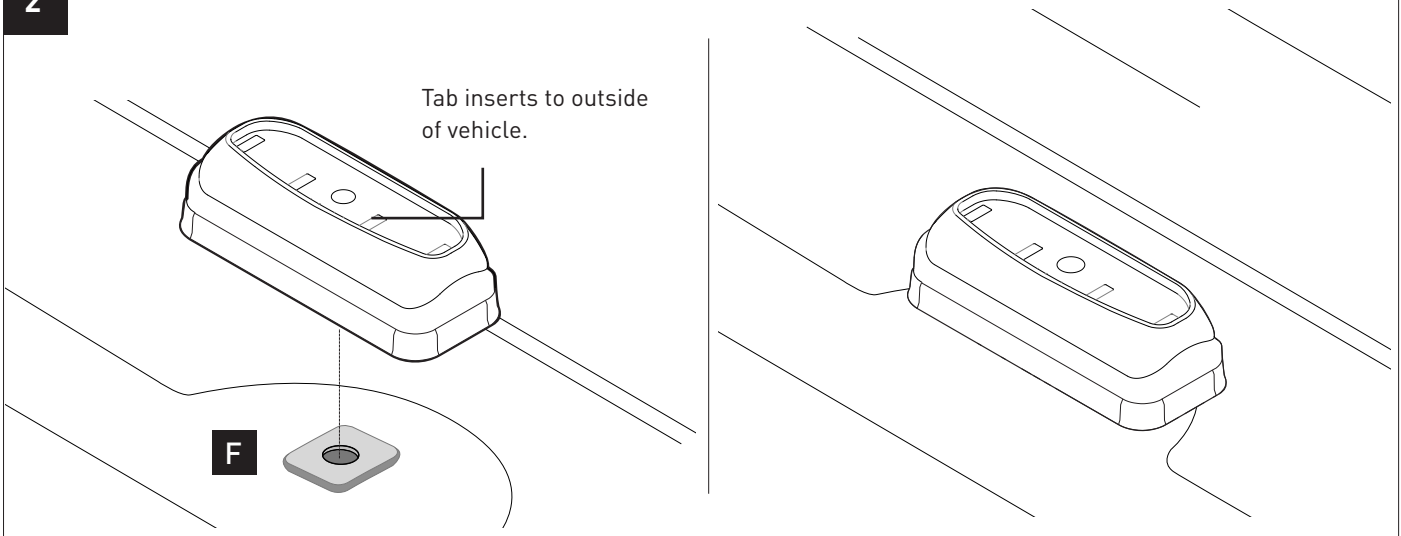
Flathead Screw-driver



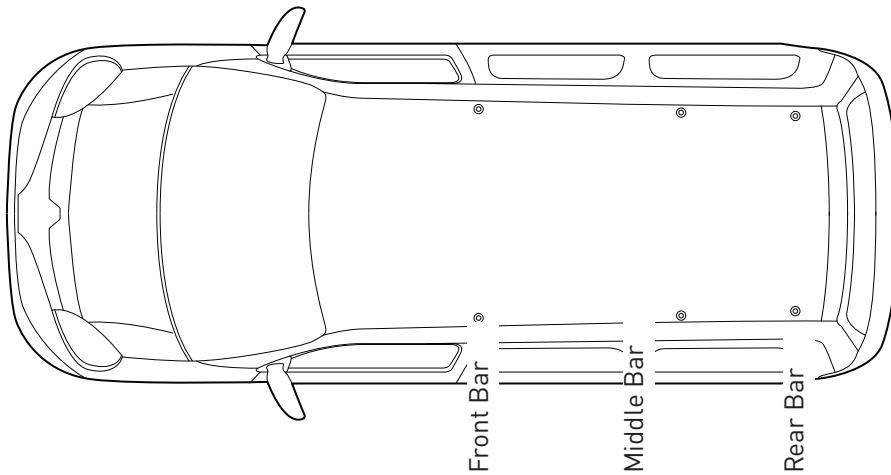
**NOTE:** Store factory plugs in safe place.



2

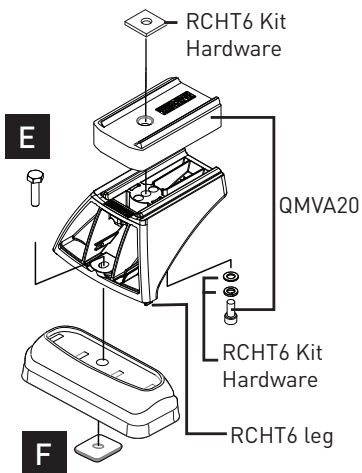


3 Loosely attach legs with spacers, as detailed below, to the Crossbars or Platform before bolting the **RCHT6** legs to the vehicle.

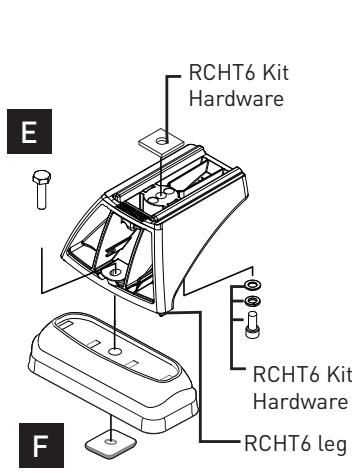


**NOTE:** Components **E** & **F** can be found in the RCP-95 kit.

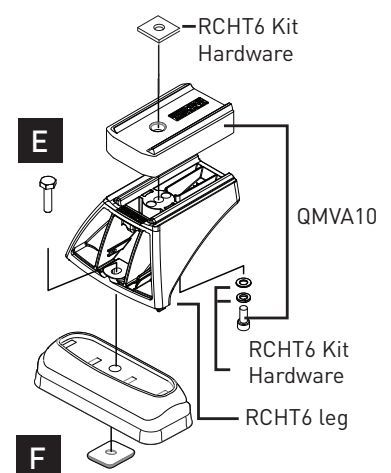
**Front Bar**



**Middle Bar**



**Rear Bar**



**NOTE:** When using the **QMVA20** and **QMVA10** spacer, use the hardware provided in the spacer kit.

