



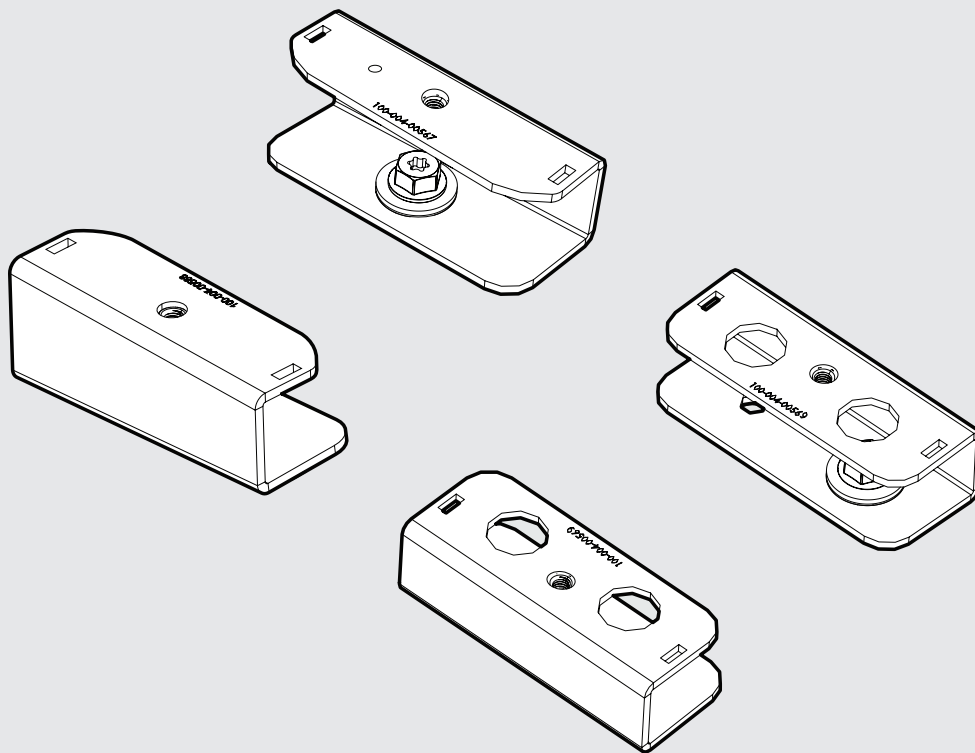
# RHINO-RACK®

## BASE KIT RCP96H-BK

### Important:

1. Check the Rhino-Rack website to ensure you have the latest issue of these instructions.
2. Please refer to your fitting instruction to ensure that the roof racks are installed in the correct locations.
3. Check the contents of kit before commencing fitment and report any discrepancies.
4. Place these instructions in the vehicle's glove box after installation is complete.
5. These instructions must be followed for warranty to be upheld.

**Fit Time:** 30mins



**Rhino-Rack AUSTRALIA**  
22A Hanson Pl,  
Eastern Creek, NSW, 2766  
(02) 8846 1900  
rhinorack.com.au

**Rhino-Rack USA**  
Unit D, 2450 Airport Blvd,  
Aurora, CO, 80011  
877-744-6622  
rhinorack.com

Doc. No: 520-RFI-00266  
Issue No: 02  
Issue Date: 16/10/2025

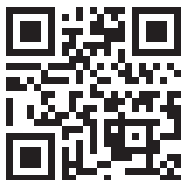
## Carrying Capacity

Check your vehicle owners hand book for vehicle maximum carrying capacity. Please ensure you use the vehicle manufacturer's maximum roof allowance if it is lower than the figure listed in this instruction.





Load must be evenly distributed over the system.

For your vehicle specific fitment rating, refer to the Rhino Rack online load rating calculator.

VISIT THE ONLINE CALCULATOR FOR CURRENT SYSTEM LOAD LIMIT DATA



**DYNAMIC 2 CROSS BAR LOAD LIMIT (ON AND OFF ROAD):**  
**\*USE THE VEHICLE MANUFACTURER'S MAXIMUM ROOF ALLOWANCE IF IT IS LOWER THAN THE FIGURE LISTED**

 CARGO UP TO <b>95 KG</b> 209 lbs	 SYSTEM WEIGHT <b>5 KG</b> 11 lbs	+	=	 LOAD LIMIT UP TO <b>100 KG</b> 220 lbs	OR	 Max kg <b>*VEHICLE MANUFACTURER'S ROOF LOAD LIMIT</b>
---	---	---	---	--	----	---

STATIC LOAD LIMIT: UP TO 250KG / 551LBS\*



### Cargo Load Limit

Total permissible weight allowed on top, and attached to roof racks whilst the vehicle is in motion.



### System Weight

Total weight of the roof rack system. (e.g. Crossbars, Backbone, Platform)



### Max System Load Capacity

Please ensure you use the vehicle manufacturer's maximum roof allowance if it is lower than the figure listed in the fitting chart/supplement.

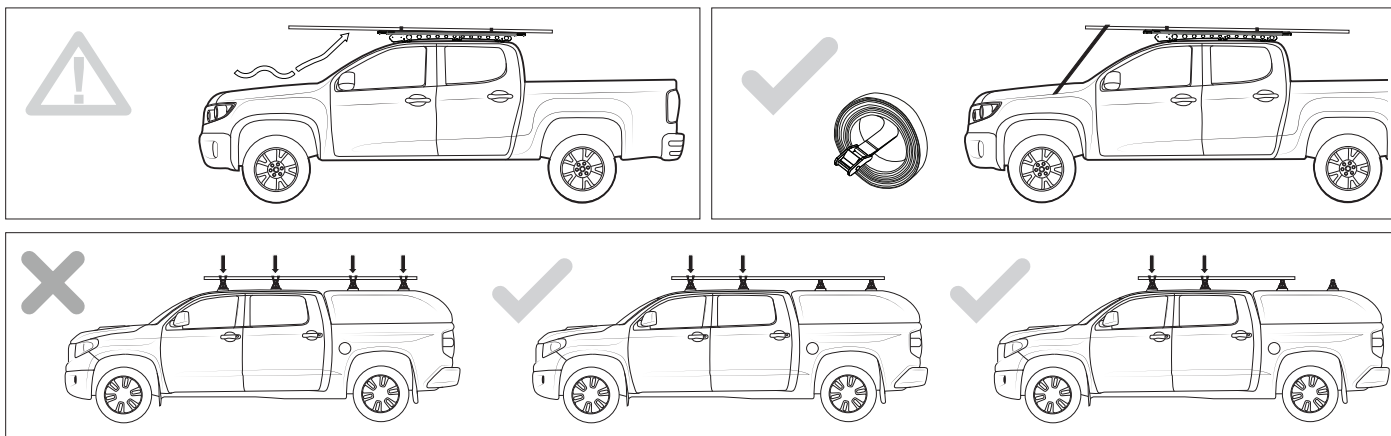


### Vehicle Manufacturer's Load Limit

Total permissible weight attached to the roof of the car. This is inclusive of the weight of the roof rack system.

## Warning

- Check part number or kit is correct for use with your vehicle.
- Do not attempt to fit the rack system to your vehicle unless you fully understand these fitting instructions. Please direct any questions regarding fitting to the dealer from where the roof racks were purchased.
- Off-road conditions can be much more rigorous. Extreme care must be taken on any driven path that does not contain a surface protection layer (tar/bitumen).
- Roof racks must be removed when vehicle is put through an automatic car wash.
- With utility vehicles, the cabin and the canopy move independently. Roof racks and vehicle can be damaged if the item transported is rigidly fixed at points on both the cabin and canopy. Instead, rigidly fix to either the cabin roof racks or the canopy roof racks.
- Always ensure you fasten your load securely.
- Use only non-stretch fastening ropes or straps to attach cargo to your load.



# RCP96H-BK Instructions

## In service maintenance checks

- All bolt connections should be checked after driving a short distance when you first install your roof racks.
- All bolted connections should be checked again at regular intervals (weekly is recommended, depending on road conditions, usage, loads and distances travelled).
- All bolted connections should be checked each time they are re-fitted.
- Off-road conditions are more rigorous. Check all bolted connections and your load more regularly.
- Ensure that your vehicle manufacturer's GVM, and gross axle weights are not exceeded (refer to vehicle owner's manual).

### Torque Settings

Unless stated otherwise in these instructions, all fasteners should be set to the following torque settings:

M6: 4-5Nm (3-4lbs/ft),

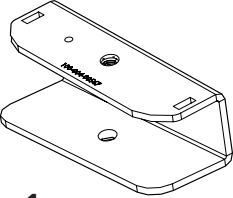
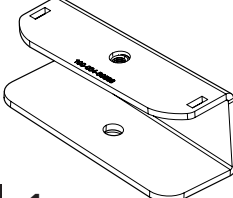
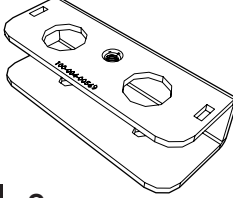
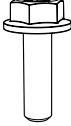
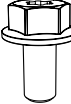


M8: 8-10Nm (6-7.5lbs/ft)

M10: 16-18Nm (12-13lbs/ft).

## Note for Dealers and Fitters

It is your responsibility to ensure these fitting instructions are given to the end user or client. These instructions remain the property of Rhino-Rack Australia Pty. Ltd. and may not be used or changed for any other purpose than intended.

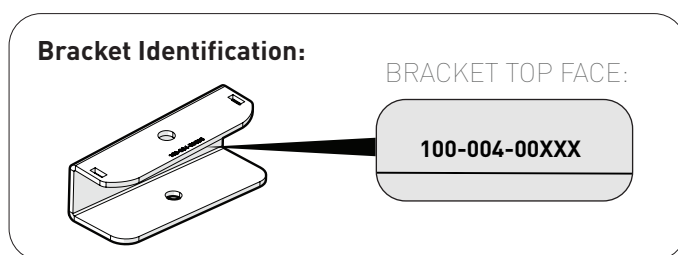
## RCP96H-BK Parts List

<p>FR RL Mount Bracket (100-004-00567)</p>  <p><b>A</b> x1</p>	<p>FL RR Mount Bracket (100-004-00568)</p>  <p><b>B</b> x1</p>	<p>Middle Mount Bracket (100-004-00569)</p>  <p><b>C</b> x2</p>	<p>M6 x 20mm Hex Head Flanged Bolt</p>  <p><b>D</b> x4</p>
<p>M8 x 16mm Hex Head Flanged Bolt</p>  <p><b>E</b> x4</p>	<p>M8 Sealing Washer</p>  <p><b>F</b> x4</p>	<p>Instruction</p>  <p><b>G</b> x1</p>	

### Tools Required:

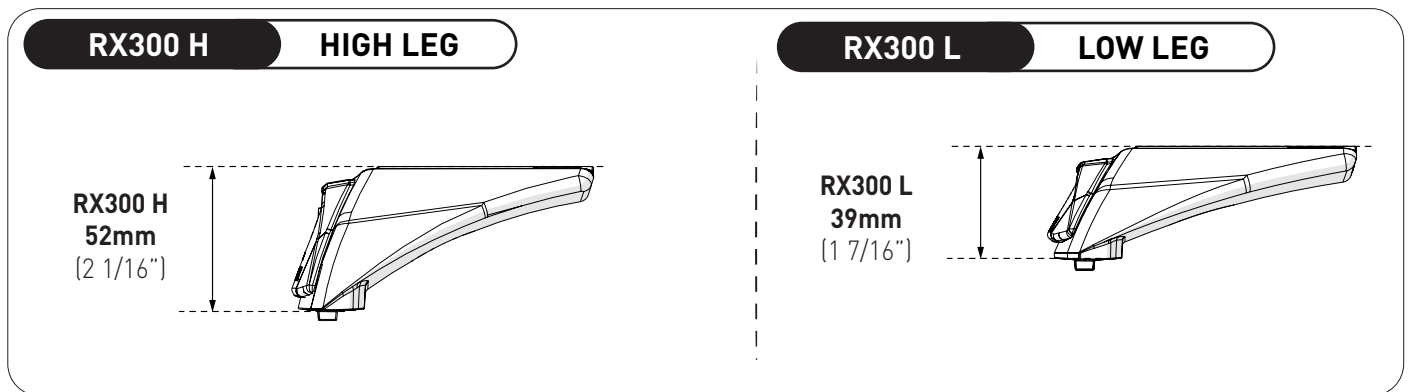
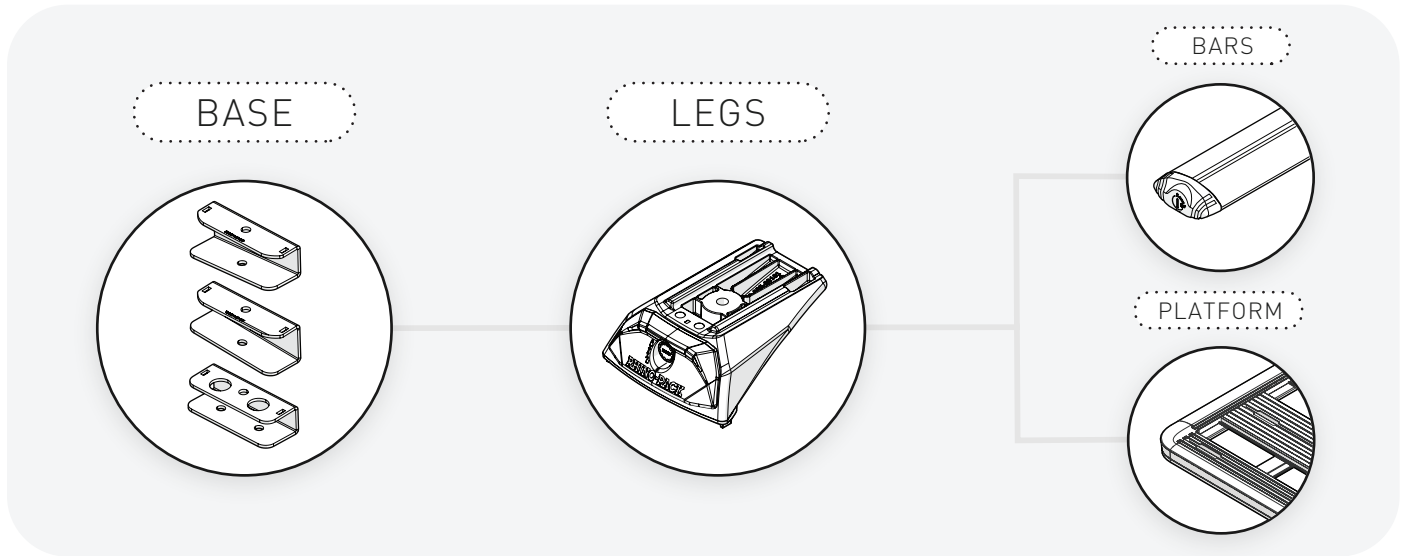
**T1** - 10mm Socket Wrench/Spanner

**T2** - 13mm Socket Wrench/Spanner



## RCP96H-BK Instructions

To complete the installation ensure you have **Base Kit, Legs** and **Crossbars** or **Pioneer**.



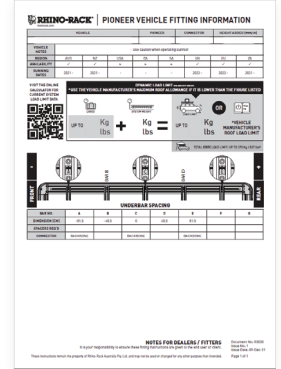
Legs, crossbars and platform kit not included in RCP96H-BK and needs to be purchased separately.

# RCP96H-BK Instructions

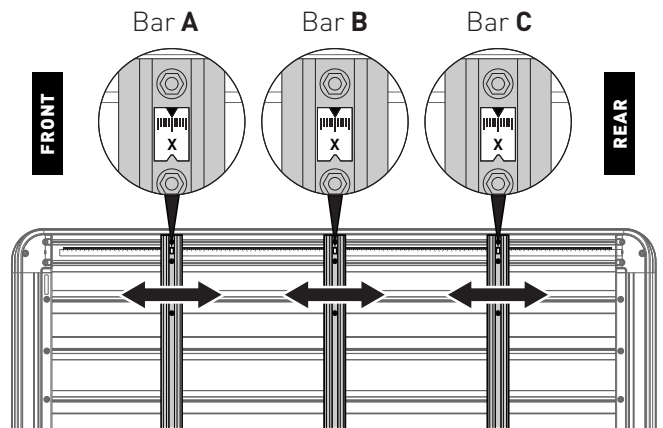
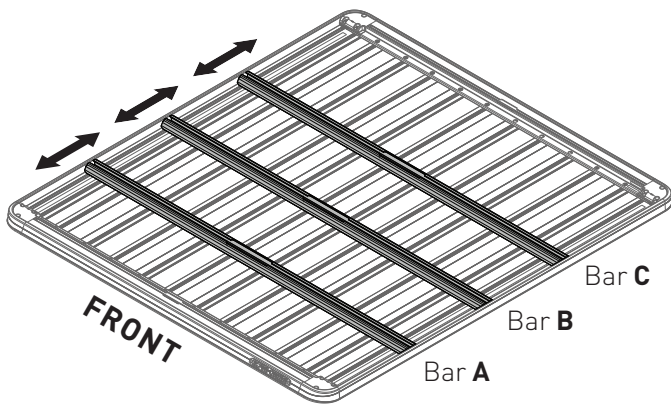
Follow the fit my vehicle journey to find your vehicle specific supplement that details the RCP bracket , leg and crossbar or platform setup for your vehicle.



1. Complete **Fit my vehicle** journey
2. Select your **Product Solution**
3. Scroll down to **'Product Details'**
4. Select the **'INSTRUCTIONS'** tab to View the Fitting Supplement and Fitting Chart for Platforms
5. Space your Underbars to the **A, B & C** dimensions provided.

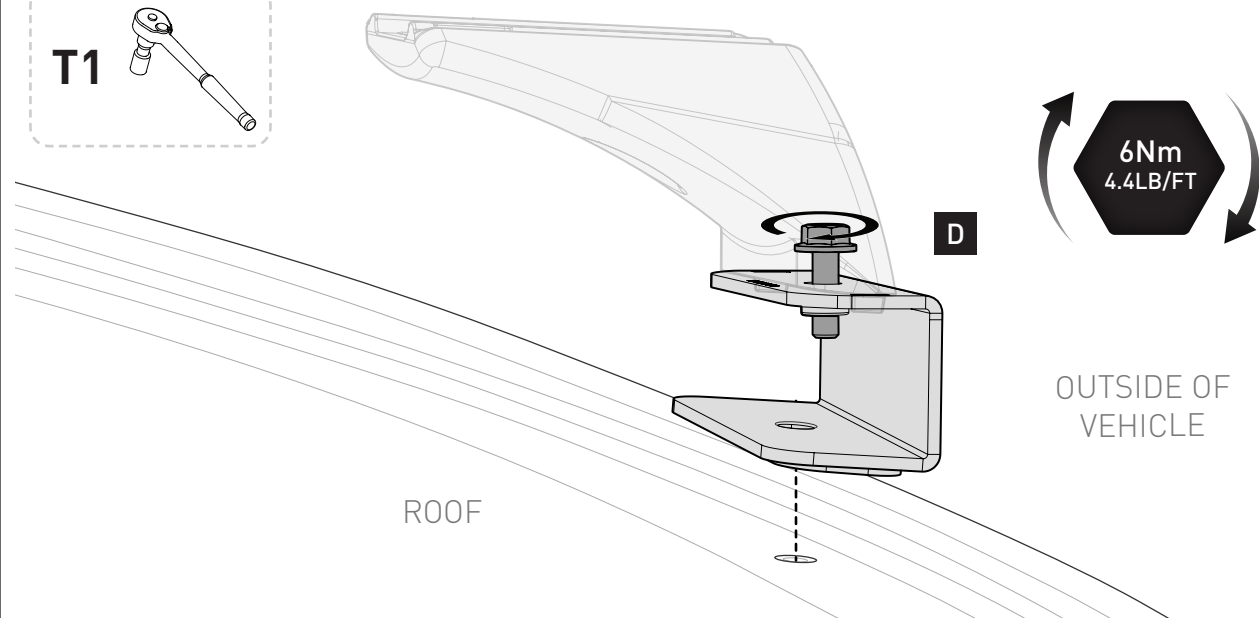


**VIEW FITTING CHART**  
Example only



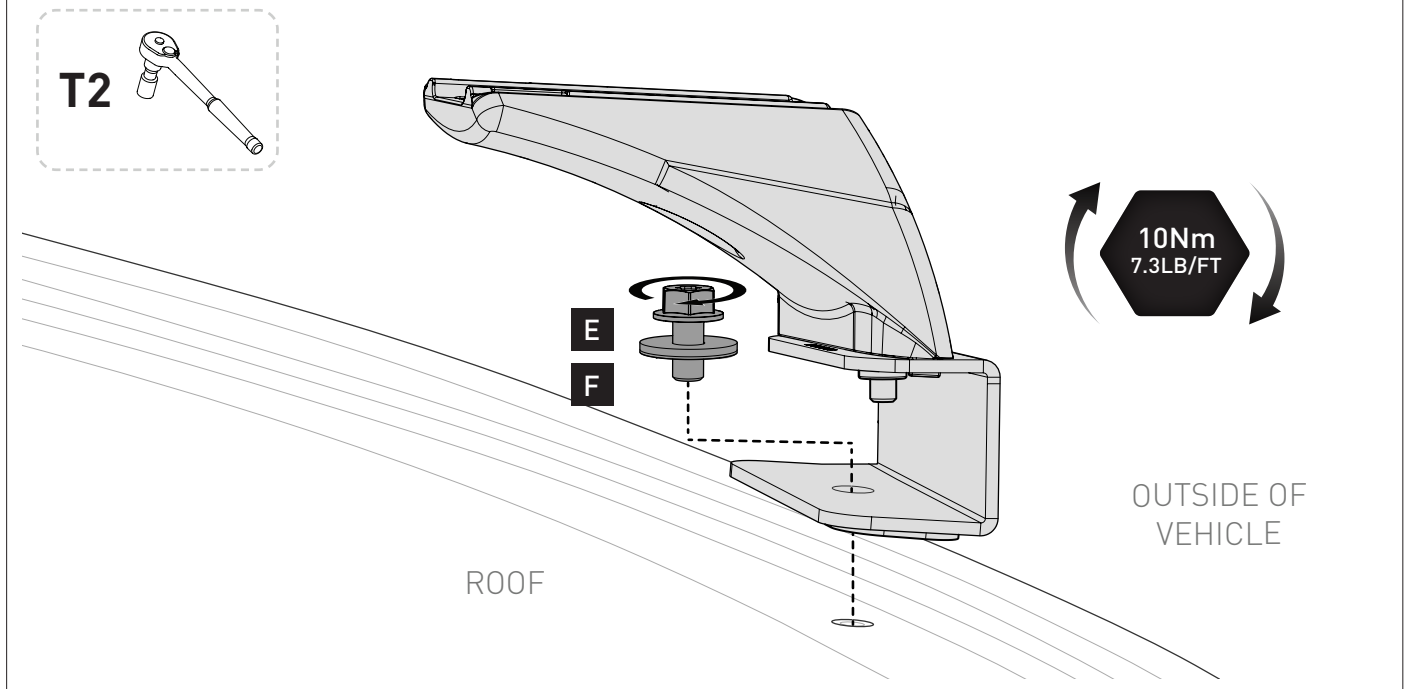
## GENERIC LEG FITMENT GUIDE

**A** Use **T1** and **D** to attach brackets to legs.



## RCP96H-BK Instructions

**B** Use **T2**, **E** and **F** to securely attach the brackets to your vehicle.



# NOTES

---

---

---

---

---

---

---

---



**RHINO-RACK®**

MAKE SPACE FOR ADVENTURE

**RHINORACK.COM**

**Rhino-Rack AUSTRALIA**

22A Hanson Pl,  
Eastern Creek, NSW, 2766

**Rhino-Rack USA**

19822 E 22nd Ave,  
Aurora, CO, 80011