

DK521 CROSSBAR INSTRUCTION

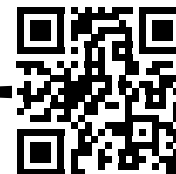
VA, EURO & HD

FIT MY VEHICLE

Please visit the Rhino-Rack website to ensure you have the latest information for your specific vehicle.

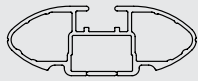

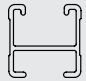
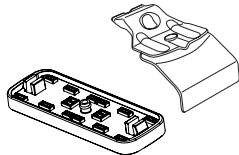
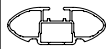

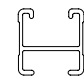
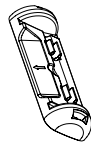
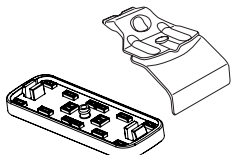
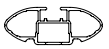

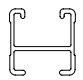
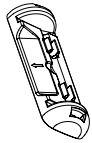


rhinorack.com/roof



CROSSBAR ID

PAD, CLAMP & CROSSBAR DETAILS

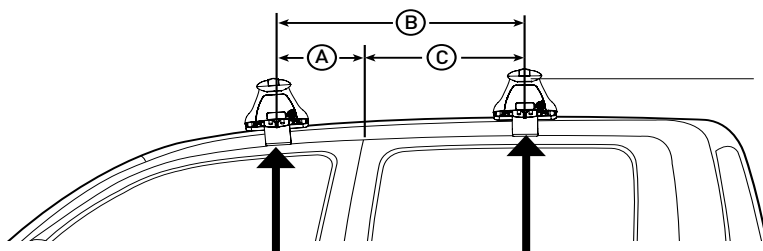
CROSSBAR ID			PAD, CLAMP & CROSSBAR DETAILS																			
			FRONT CROSSBAR					REAR CROSSBAR														
 VA  EURO  HD																						
Vehicle	Date	Crossbar	Front Right Pad / Clamp	Front Left Pad / Clamp	Measurement Strip Length Per Side		Measurement Distance (X)	Foot Plate Arrow Direction	Rear Right Pad/Clamp	Rear Left Pad/Clamp	Measurement Strip Length Per Side		Measurement Distance (X)	Foot Plate Arrow Direction								
Honda Civic Gen11 5dr Hatchback	2021 -	1180mm	100-006-00052 / SUB0462	100-006-00051 / SUB0462	193mm	138mm	954mm / 37 9/16"	IN	M365 / SUB0460	M365 / SUB0460	214mm	159mm	996mm / 39 3/16"	IN								
			Pad Arrow Forward						Pad Arrow Forward													

DK521 CROSSBAR INSTRUCTION

VA, EURO & HD

Carrying Capacity: The roof rack is rated to 75kg. Please refer to manufacturers handbook for your vehicles maximum roof load capacity. Always use the lower of the two figures.

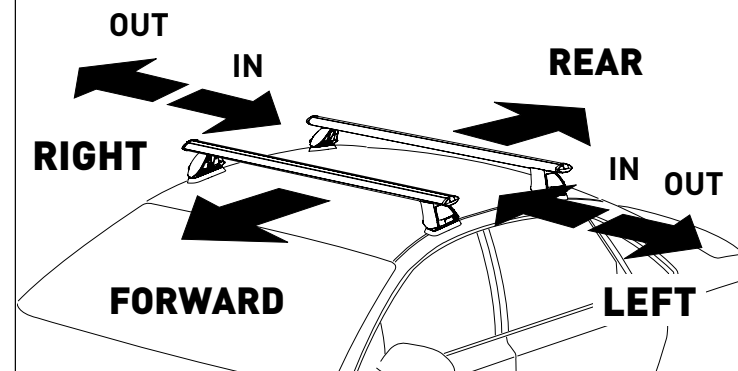
- A** CENTRE of Door Jamb to CENTRE of Front Leg Foot Plate Arrow.
- B** CENTRE of Front leg foot plate arrow to CENTRE of Rear leg foot plate arrow.
- C** Door Jamb to CENTRE of Rear Leg Foot Plate Arrow



RLKS2 leg spacer at rear crossbar only.
Refer to table below

Honda has indented arrows in the door jambs (visible when doors are opened) to indicate placement of roof racks. Place Front and Rear crossbars above the indicators and cross-check by using the table below

Direction of Pad and Foot Plate Arrow



VEHICLE	Date	A	B	C	REAR CROSSBAR LEG SPACER	Load Rating (includes racks 5kg/ 11lbs)
Honda Civic Gen11 5dr Hatchback	2021 -	275mm	640mm	365mm	RLKS2	Up to* 75kg / 165lbs

*System Load Rating: Please refer to manufacturer's handbook for your vehicle's maximum roof load capacity. Always use the lower of the two figures