



DK514 VA, Aero, Euro & HD Crossbar Instruction

IDENTIFICATION CHART



Vehicle	Date	Crossbar	FRONT CROSSBAR					REAR CROSSBAR						
			Front Right Pad/Clamp	Front Left Pad/Clamp	Measurement strip length per side	Measurement strip length per side	Measurement Distance (x)	Foot plate arrow direction	Rear Right Pad/Clamp	Rear Left Pad/Clamp	Measurement strip length per side	Measurement strip length per side	Measurement Distance (x)	Foot plate arrow direction
Mazda CX-3 Gen 1 5dr SUV	2015 -	1180mm	M282 SUB0842	M281 SUB0842	167 mm	112 mm	902 mm 35, 1/2"	M311	M284 SUB0838	M283 SUB0838	139 mm	84 mm	846 mm 33, 5/16"	M311
			Pad Arrow FORWARD	Pad Arrow FORWARD				OUT	Pad Arrow FORWARD	Pad Arrow FORWARD				OUT

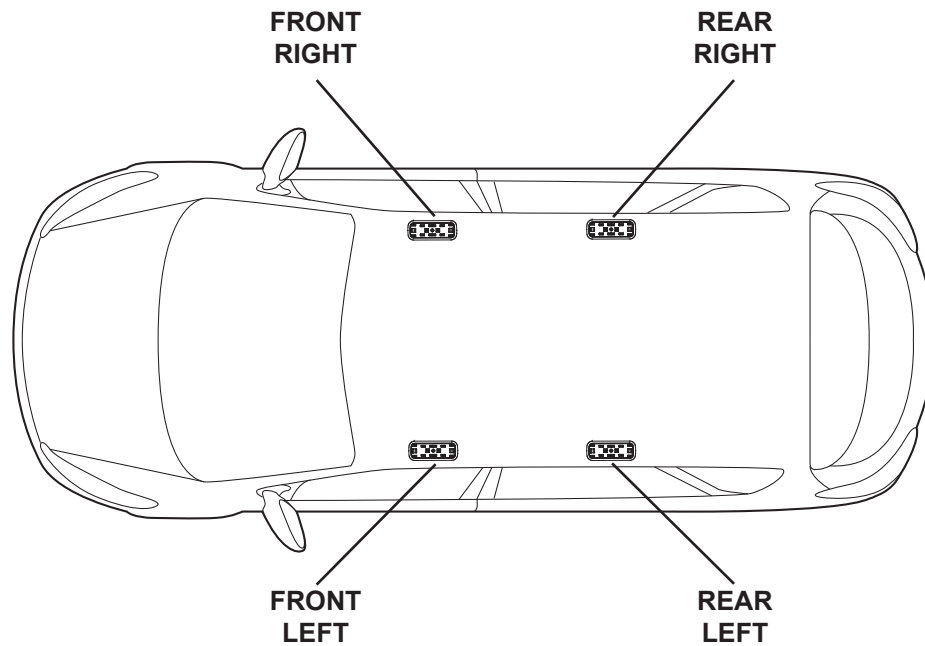
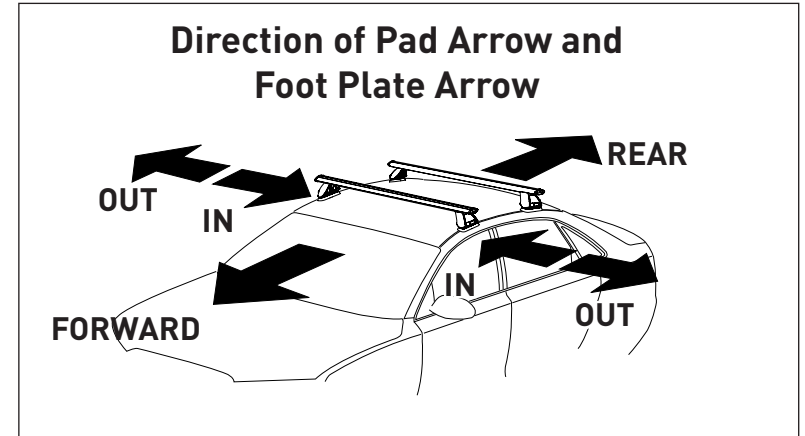
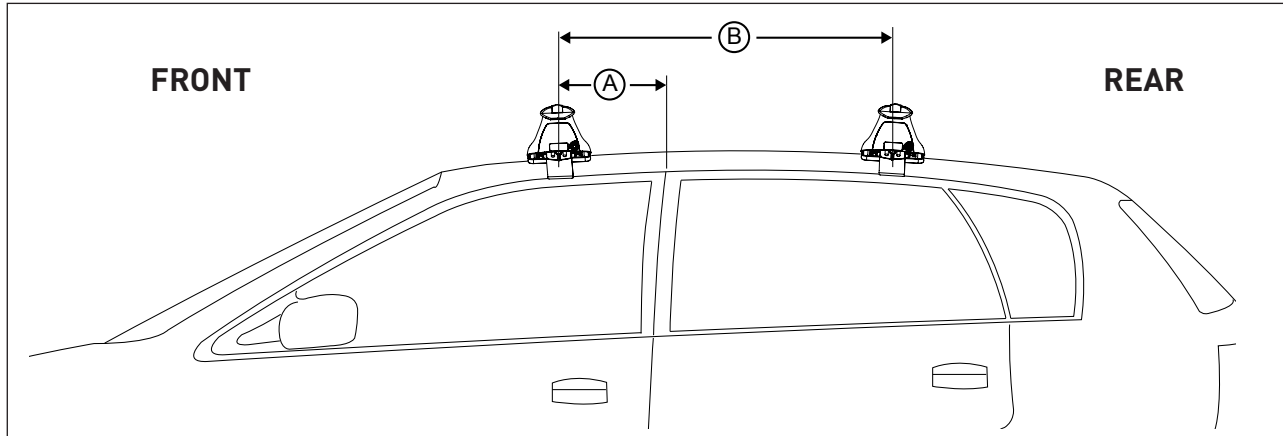


DK514 VA, Aero, Euro & HD Crossbar Instruction

Measurement A: CENTRE of door jamb to CENTRE arrow of leg foot plate.

Measurement B: CENTRE of Front leg foot plate arrow to CENTRE of Rear leg foot plate arrow.

If your vehicle is not listed on this fitting instruction please refer to your countries Rhino-Rack web site for the latest information.



NOTE:

Please refer to page 3 for measurements relating to the images on this page.



DK514 VA, Aero, Euro & HD Crossbar Instruction

Measurement A: CENTRE of door jamb to CENTRE arrow of leg foot plate.

Measurement B: CENTRE of Front leg foot plate arrow to CENTRE of Rear leg foot plate arrow.

If your vehicle is not listed on this fitting instruction please refer to your countries Rhino-Rack web site for the latest information.

VEHICLE	Date	Measurement A	Measurement B	System Load Rating (includes racks 5kg/ 11lbs) (2.5kg / 5lbs for front/rear bar only)
Mazda CX-3 Gen 1 5dr SUV	2015 -	250mm 9, 27/32"	700mm 27, 9/16"	Up to 75kg / 165lbs*

***System Load Rating:** Please refer to manufacturers handbook for your vehicles maximum roof load capacity. Always use the lower of the two figures.