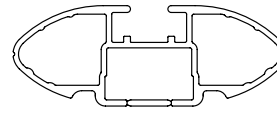
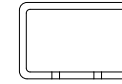




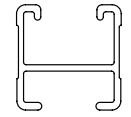
CROSSBAR IDENTIFICATION



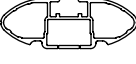

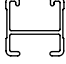

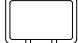
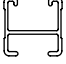
VA crossbar



Steel Euro crossbar



HD crossbar

			FRONT CROSSBAR					REAR CROSSBAR						
			 VA		 Steel Euro		 HD		 VA		 Steel Euro		 HD	
Vehicle	Date	Crossbar	Front Right Pad/Clamp	Front Left Pad/Clamp	Measurement strip length per side	Measurement Distance (x)	Foot plate arrow direction	Rear Right Pad/Clamp	Rear Left Pad/Clamp	Measurement strip length per side	Measurement Distance (x)	Foot plate arrow direction		
Nissan Qashqai J11	14-	1260mm	M282 SUB0669	M281 SUB0669	182mm	1012mm/ 39 13/16"	OUT	M368 SUB0669	M368 SUB0669	165mm	978mm/ 38 1/2"	OUT		
			Arrow FORWARD					Arrow FORWARD						



Rhino Rack 2500 Series - DK503 instruction

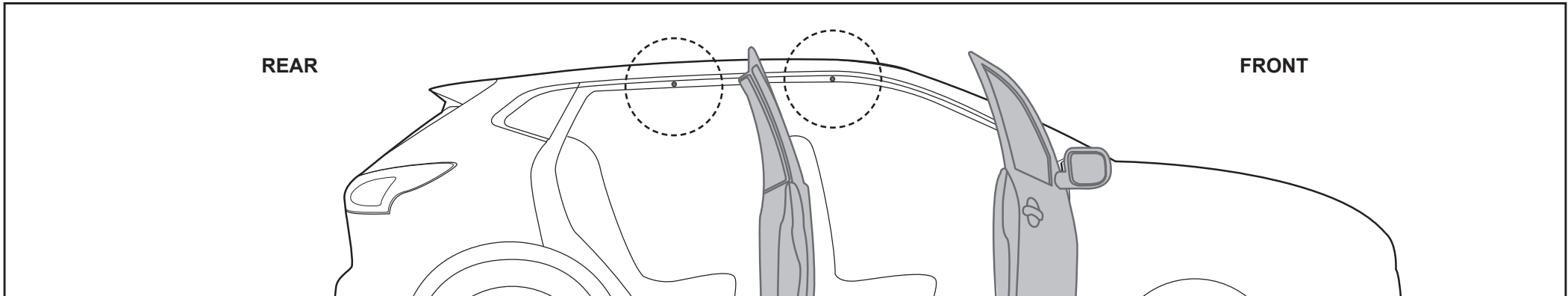
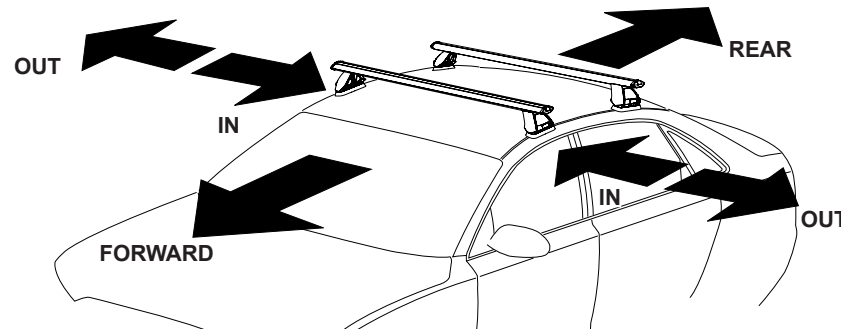
Measurement A: CENTRE of door jamb to CENTRE arrow of leg foot plate.

Measurement B: CENTRE of Front leg foot plate arrow to CENTRE of Rear leg foot plate arrow.

Carrying capacity: Roof rack is rated up to 75kg. Please refer to manufacturers handbook for your vehicles maximum roof load capacity. Always use the lower of the two figures.

If your vehicle is not listed on this fitting instruction please refer to your countries Rhino-Rack web site for the latest information.

Direction of Pad Arrow and Foot Plate Arrow



VEHICLE	Date	Measurement A	Measurement B	Load Rating up to (includes racks 5kg/ 11lbs)
Nissan Qashqai J11	14-	factory point	factory point	75kg / 165lbs