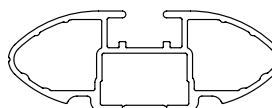
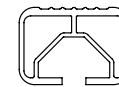




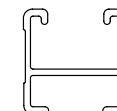
CROSSBAR IDENTIFICATION



VA crossbar



ALLOY



HD crossbar

Vehicle	Date	Crossbar	FRONT CROSSBAR					REAR CROSSBAR						
			Front Right Pad/Clamp	Front Left Pad/Clamp	Measurement strip length per side	Measurement Distance (x)	Foot plate arrow direction	Rear Right Pad/Clamp	Rear Left Pad/Clamp	Measurement strip length per side	Measurement Distance (x)	Foot plate arrow direction		
TOYOTA Avalon	19-on	1180mm	M282 SUB0373	M281 SUB0373	193mm	138mm	954mm / 37 9/16"	OUT	M527 SUB0373	M528 SUB0373	184mm	129mm	977mm / 38 7/16"	OUT
			Pad Arrow FORWARD						Pad Arrow FORWARD					



Rhino Rack 2500 Series - DK495 instruction

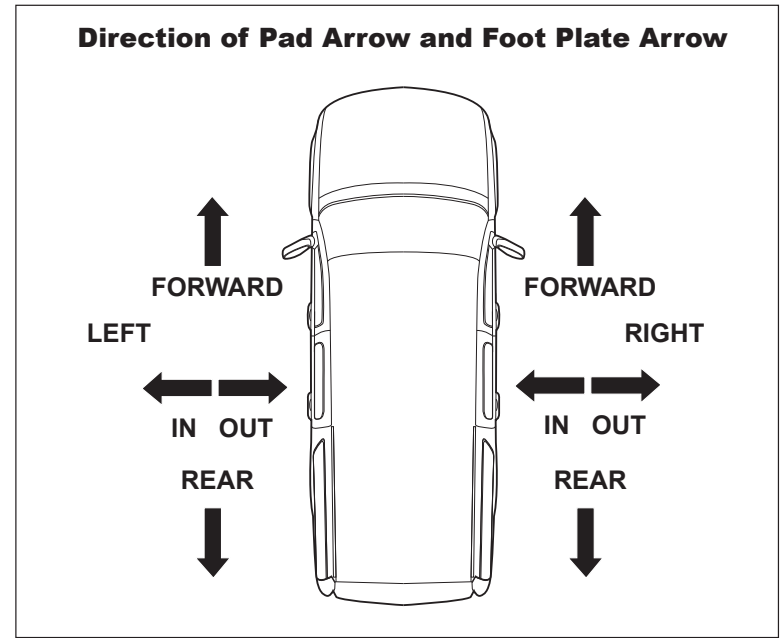
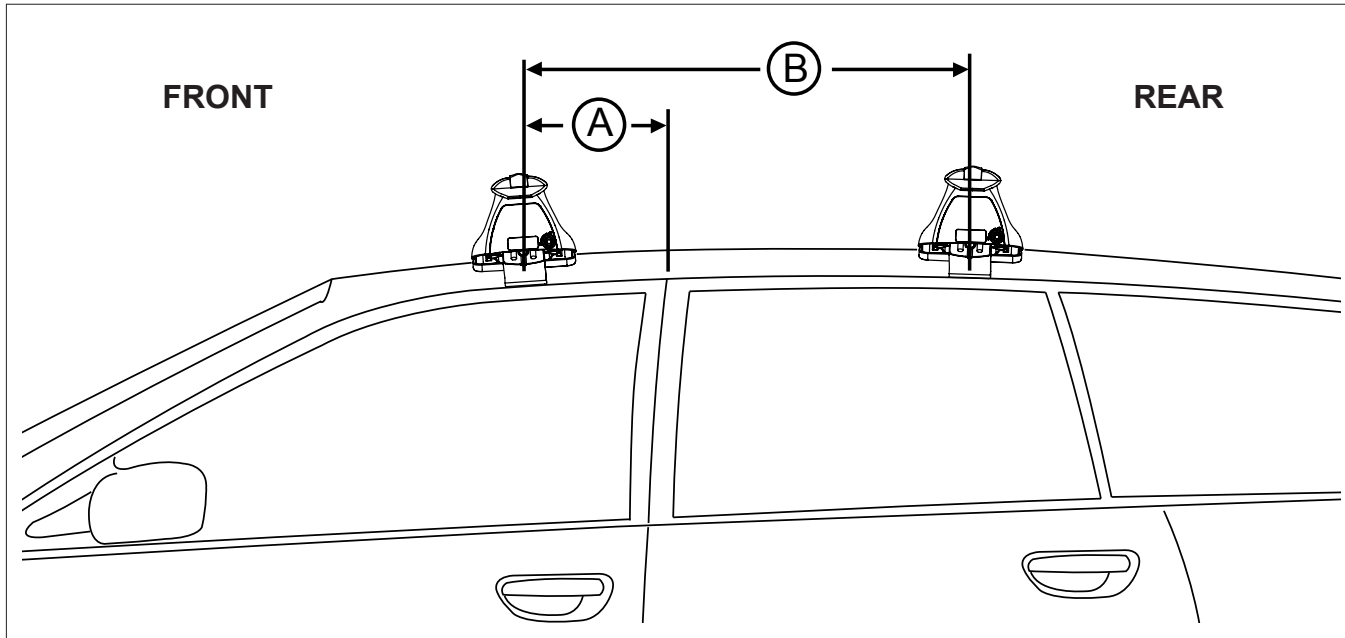
CONTROLLED

Measurement A: CENTRE of door jamb to CENTRE arrow of leg foot plate.

Measurement B: CENTRE of Front leg foot plate arrow to CENTRE of Rear leg foot plate arrow.

Carrying capacity: Roof rack is rated up to 75kg. Please refer to manufacturers handbook for your vehicles maximum roof load capacity. Always use the lower of the the two figures.

If your vehicle is not listed on this fitting instruction please refer to your countries Rhino-Rack web site for the latest information.



VEHICLE	Date	Measurement A	Measurement B	Load Rating up to (includes racks 5kg/ 11lbs)
TOYOTA Avalon	19 -	300mm / 11 13/16"	700 / 9/16"	75kg / 165lbs