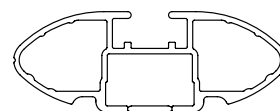
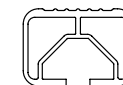




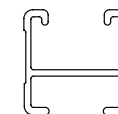
CROSSBAR IDENTIFICATION



VA crossbar



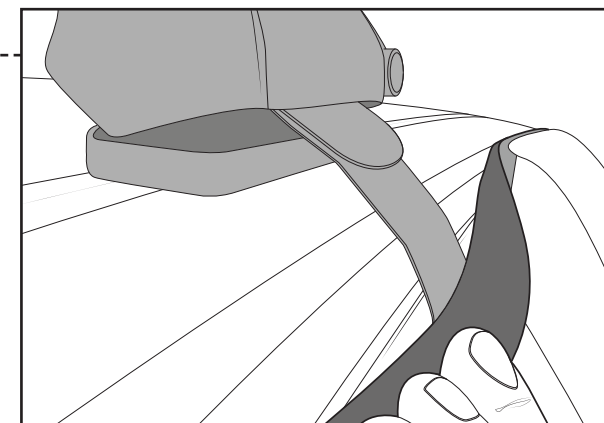
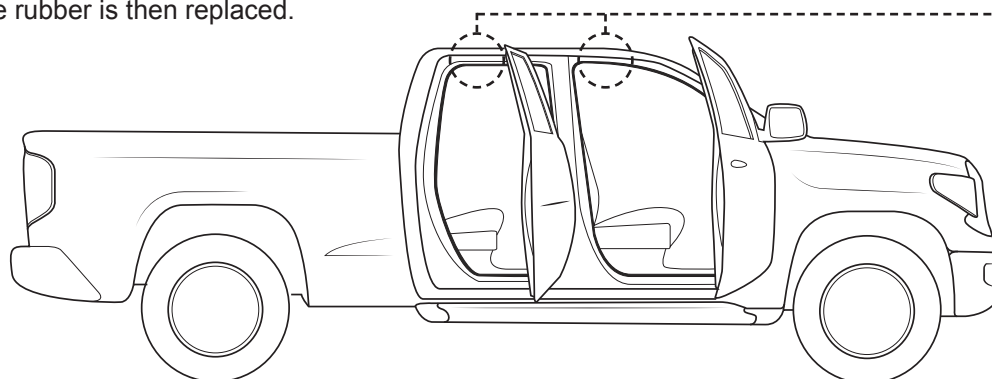
EURO crossbar



HD crossbar

Vehicle	Date	Crossbar	FRONT CROSSBAR					REAR CROSSBAR						
			Front Right Pad/Clamp	Front Left Pad/Clamp	Measurement strip length per side	Measurement strip length per side	Measurement Distance (x)	Foot plate arrow direction	Rear Right Pad/Clamp	Rear Left Pad/Clamp	Measurement strip length per side	Measurement strip length per side	Measurement Distance (x)	Foot plate arrow direction
TOYOTA Tundra Acc Cab	00 - 06	1260mm	M366 SUB0168	M366 SUB0168	155mm	N/A	958mm / 37 3/4"	OUT	M366 SUB0168	M366 SUB0168	155mm	N/A	958mm / 37 3/4"	OUT
			Pad Arrow Forward						Pad Arrow Forward					

1 Open the doors of the vehicle and peel back the rubber door seal. The crossbars are fitted to the vehicle and the rubber is then replaced.





Rhino Rack 2500 Series - DK491 instruction

CONTROLLED

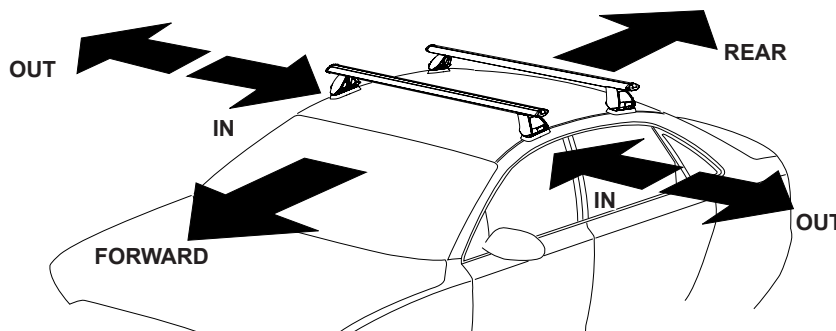
Measurement A: CENTRE of door jamb to CENTRE arrow of leg foot plate.

Measurement B: CENTRE of Front leg foot plate arrow to CENTRE of Rear leg foot plate arrow.

Carrying capacity: Roof rack is rated up to 75kg. Please refer to manufacturers handbook for your vehicles maximum roof load capacity. Always use the lower of the two figures.

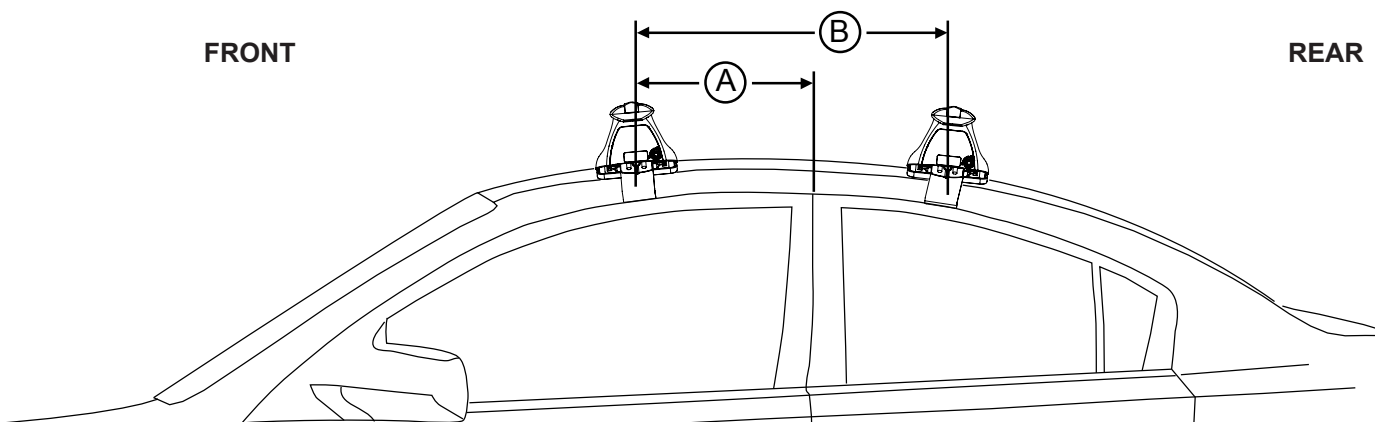
If your vehicle is not listed on this fitting instruction please refer to your countries Rhino-Rack web site for the latest information.

Direction of Pad Arrow and Foot Plate Arrow



FRONT

REAR



VEHICLE	Date	Measurement A	Measurement B	Load Rating up to (includes racks 5kg/ 11lbs)
Toyota Tundra Acc Cab	06 -	250mm / 9 13/16"	600mm / 23 5/8"	75kg / 165lbs