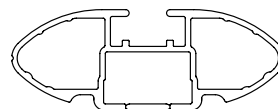
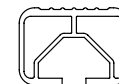




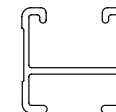
CROSSBAR IDENTIFICATION



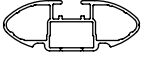
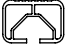
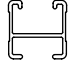
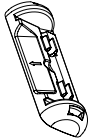
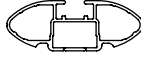
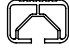
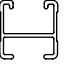
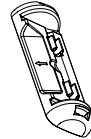
VA crossbar



EURO crossbar



HD crossbar

		FRONT CROSSBAR						REAR CROSSBAR						
														
Vehicle	Date	Crossbar	Front Right Pad/Clamp	Front Left Pad/Clamp	Measurement strip length per side	Measurement strip length per side	Measurement Distance (x)	Foot plate arrow direction	Rear Right Pad/Clamp	Rear Left Pad/Clamp	Measurement strip length per side	Measurement strip length per side	Measurement Distance (x)	Foot plate arrow direction
Toyota Prius 5dr Hatch	16 -	1260mm	M366 SUB0146	M366 SUB0146	190mm	77mm	1028mm / 40,15/32"	OUT	M366 SUB0460	M366 SUB0460	153mm	40mm	954mm / 37,9/16"	OUT
			Pad Arrow Forward						Pad Arrow Forward					



Rhino-Rack 2500 Series - DK467 instruction

CONTROLLED

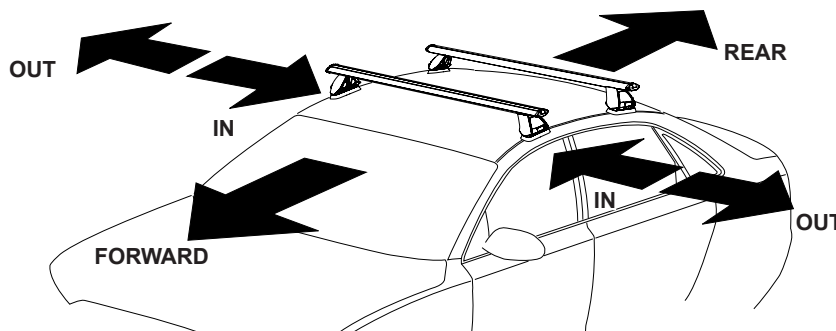
Measurement A: CENTRE of door jamb to CENTRE arrow of leg foot plate.

Measurement B: CENTRE of Front leg foot plate arrow to CENTRE of Rear leg foot plate arrow.

Carrying capacity: Roof rack is rated to 75kg. Please refer to manufacturers handbook for your vehicles maximum roof load capacity. Always use the lower of the two figures.

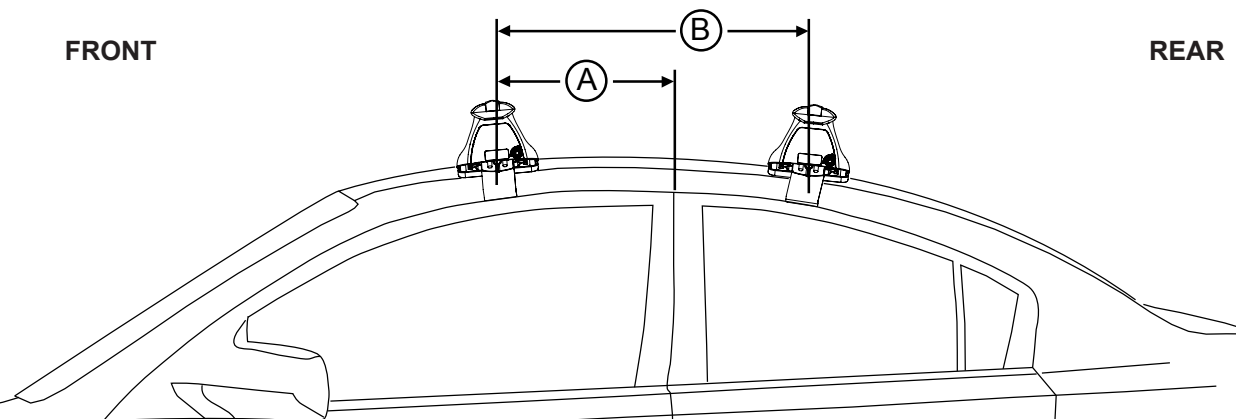
If your vehicle is not listed on this fitting instruction please refer to your countries Rhino-Rack web site for the latest information.

Direction of Pad Arrow and Foot Plate Arrow, Refer Page 1.



FRONT

REAR



VEHICLE	Date	Measurement A	Measurement B	Load Rating (includes racks 5kg/ 11lbs)
Toyota Prius 5dr Hatch	16 -	300mm / 11,13/16"	700mm / 27,9/16"	75kg / 165lbs