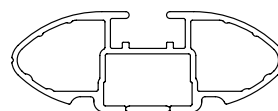
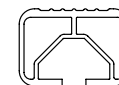




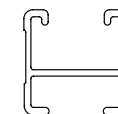
**CROSSBAR IDENTIFICATION**



**VA crossbar**



**EURO crossbar**



**HD crossbar**

Vehicle	Date	Crossbar	FRONT CROSSBAR						REAR CROSSBAR					
			Front Right Pad/Clamp	Front Left Pad/Clamp	Measurement strip length per side	Measurement strip length per side	Measurement Distance ( x )	Foot plate arrow direction	Rear Right Pad/Clamp	Rear Left Pad/Clamp	Measurement strip length per side	Measurement strip length per side	Measurement Distance ( x )	Foot plate arrow direction
Chevrolet Trax LS 4Dr SUV	15-	1180mm	M282 SUB0374	M281 SUB0374	141mm	86mm	850mm / 33,15/32"	OUT	M284 SUB0382	M283 SUB0382	118mm	63mm	804mm / 31,21/32"	OUT
			Pad Arrow FORWARD				Pad Arrow FORWARD							



# Rhino-Rack 2500 Series - DK464 instruction

**CONTROLLED**

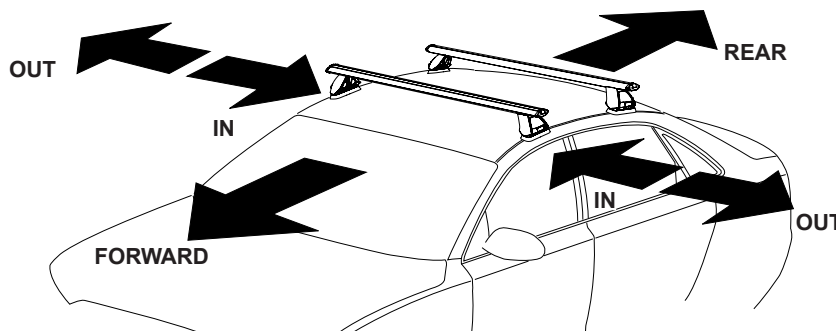
**Measurement A:** CENTRE of door jamb to CENTRE arrow of leg foot plate.

**Measurement B:** CENTRE of Front leg foot plate arrow to CENTRE of Rear leg foot plate arrow.

**Carrying capacity:** Roof rack is rated to 75kg. Please refer to manufacturers handbook for your vehicles maximum roof load capacity. Always use the lower of the two figures.

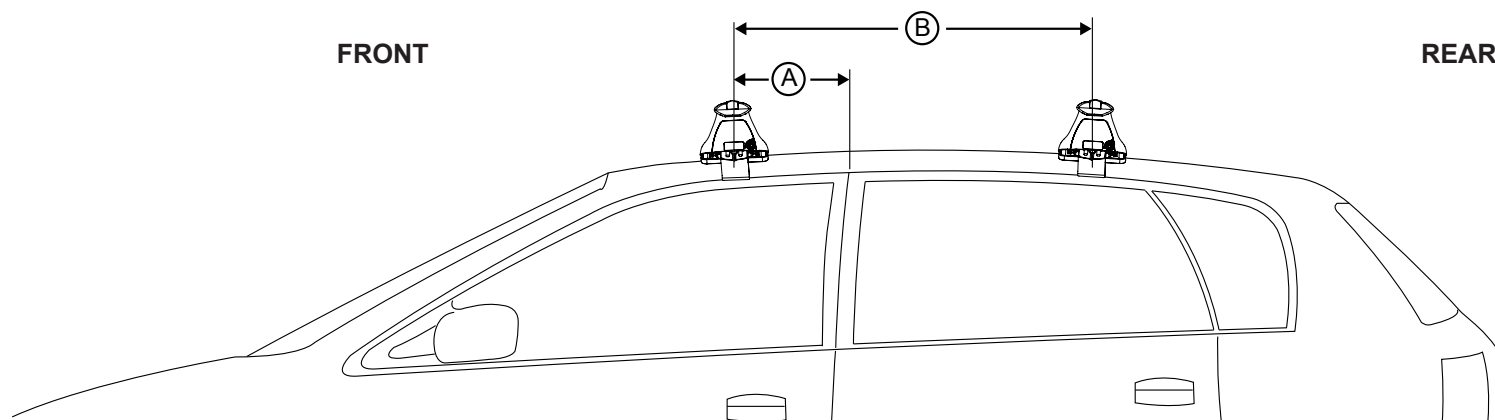
If your vehicle is not listed on this fitting instruction please refer to your countries Rhino-Rack web site for the latest information.

**Direction of Pad Arrow  
and Foot Plate Arrow**  
(Refer Page 1)



FRONT

REAR



VEHICLE	Date	Measurement A	Measurement B	Load Rating (includes racks 5kg/ 11lbs)
Chevrolet Trax LS 4Dr SUV	15-	200mm / 7,7/8"	750mm / 27,9/16"	75kg / 165lbs