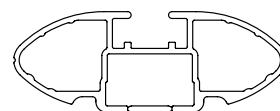
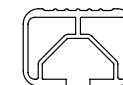




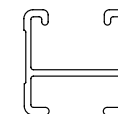
CROSSBAR IDENTIFICATION



VA crossbar



EURO crossbar



HD crossbar

Vehicle	Date	Crossbar	FRONT CROSSBAR					REAR CROSSBAR						
			Front Right Pad/Clamp	Front Left Pad/Clamp	Measurement strip length per side	Measurement strip length per side	Measurement Distance (x)	Foot plate arrow direction	Rear Right Pad/Clamp	Rear Left Pad/Clamp	Measurement strip length per side	Measurement strip length per side	Measurement Distance (x)	Foot plate arrow direction
Mercedes-Benz B-Class W246 5dr Hatch	12-	1260mm	M504 SUB0550	M503 SUB0550	207mm	94mm	1062mm / 41,13/16"	OUT	M503 SUB0380	M504 SUB0380	185mm	72mm	1018mm / 40,5/64"	OUT
			Pad Arrow OUT						Pad Arrow OUT					

Note for RS700 Roof Rack only. Panoramic Glass Roof must not be operated with roof racks installed.



Rhino-Rack 2500 Series - DK460 instruction

CONTROLLED

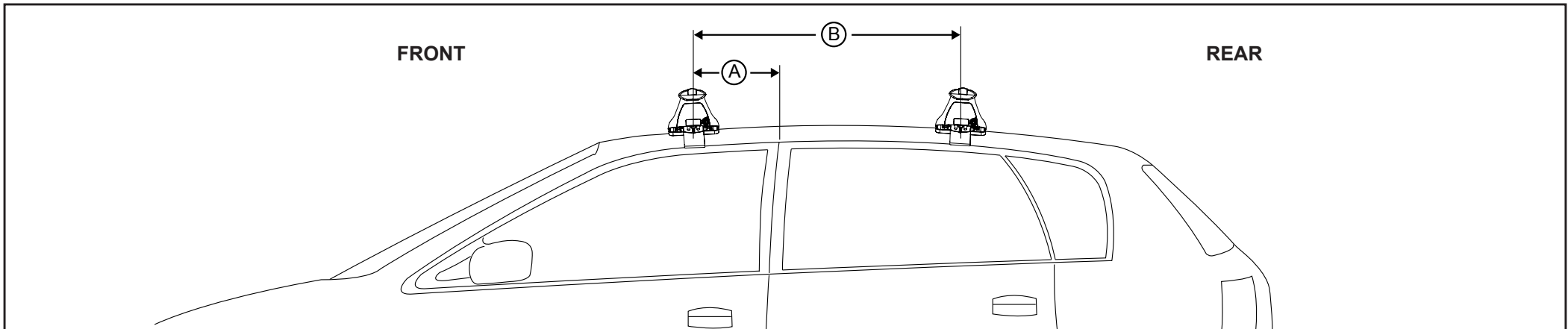
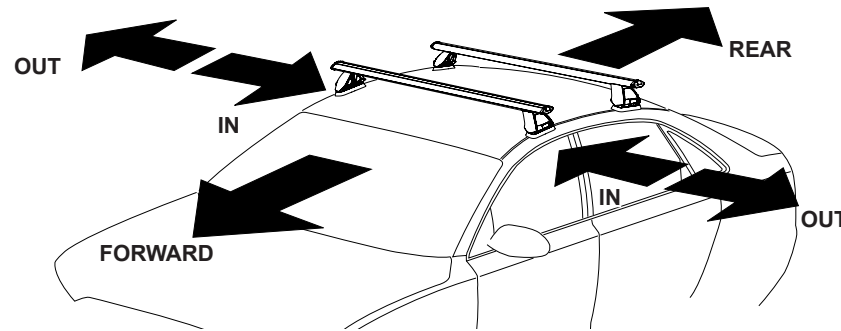
Measurement A: CENTRE of door jamb to CENTRE arrow of leg foot plate.

Measurement B: CENTRE of Front leg foot plate arrow to CENTRE of Rear leg foot plate arrow.

Carrying capacity: Roof rack is rated to 75kg. Please refer to manufacturers handbook for your vehicles maximum roof load capacity. Always use the lower of the two figures.

If your vehicle is not listed on this fitting instruction please refer to your countries Rhino-Rack web site for the latest information.

**Direction of Pad Arrow
and Foot Plate Arrow**
(Refer Page 1)



VEHICLE	Date	Measurement A	Measurement B	Load Rating (includes racks 5kg/ 11lbs)
Mercedes-Benz B-Class W246 5dr Hatch	12-	200mm / 7,7/8"	750mm / 29,17/32"	75kg / 165lbs