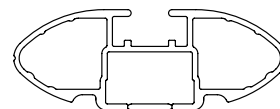
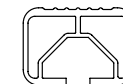




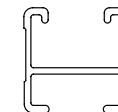
CROSSBAR IDENTIFICATION




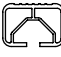
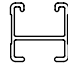
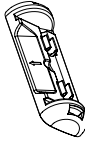

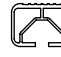
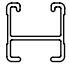
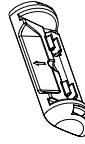
VA crossbar



EURO crossbar



HD crossbar

			FRONT CROSSBAR					REAR CROSSBAR						
														
			VA	EURO	HD									
Vehicle	Date	Crossbar	Front Right Pad/Clamp	Front Left Pad/Clamp	Measurement strip length per side	Measurement strip length per side	Measurement Distance (x)	Foot plate arrow direction	Rear Right Pad/Clamp	Rear Left Pad/Clamp	Measurement strip length per side	Measurement strip length per side	Measurement Distance (x)	Foot plate arrow direction
Mitsubishi Mirage 4dr sedan	14-	1180mm	142625RL SUB0145	142625RR SUB0145	189mm	134mm	946mm / 37,1/4"	OUT	142625RR SUB0380	142625RL SUB0380	165mm	110mm	898mm / 35,23/64"	OUT
			Pad Arrow Out						Pad Arrow Out					



Rhino Rack 2500 Series - DK445 instruction

CONTROLLED

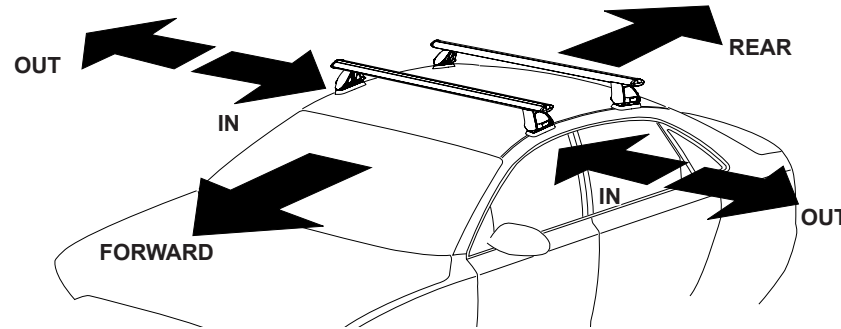
Measurement A: CENTRE of door jamb to CENTRE arrow of leg foot plate.

Measurement B: CENTRE of Front leg foot plate arrow to CENTRE of Rear leg foot plate arrow.

Carrying capacity: Roof rack is rated to 75kg. Please refer to manufacturers handbook for your vehicles maximum roof load capacity. Always use the lower of the two figures.

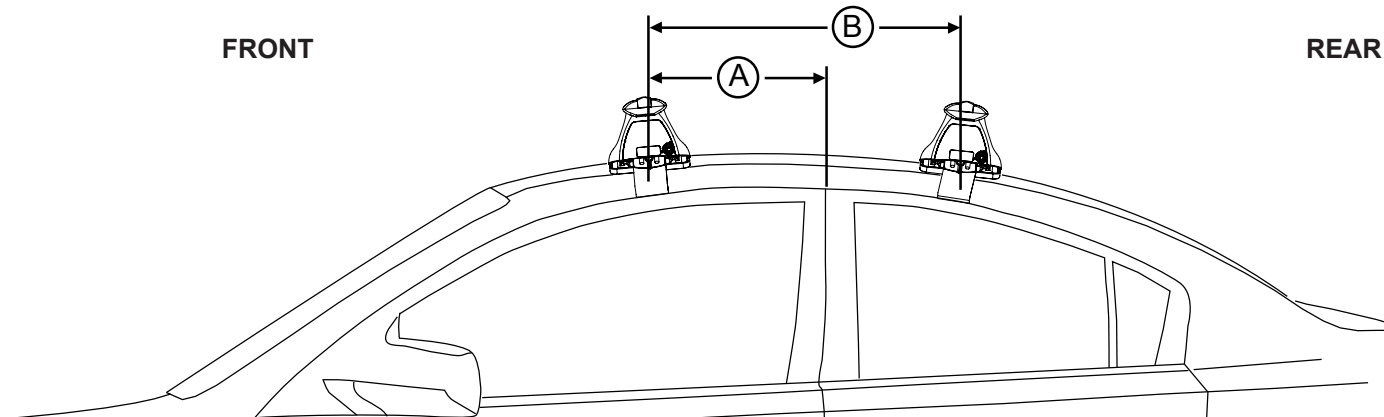
If your vehicle is not listed on this fitting instruction please refer to your countries Rhino-Rack web site for the latest information.

Direction of Pad Arrow and Foot Plate Arrow



FRONT

REAR



VEHICLE	Date	Measurement A	Measurement B	Load Rating (includes racks 5kg/ 11lbs)
Mitsubishi Mirage 4dr sedan	14-	340mm / 13,25/64"	720mm / 28,11/32"	75kg / 165lbs