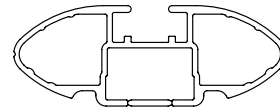
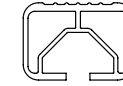




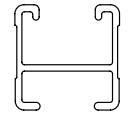
CROSSBAR IDENTIFICATION



VA crossbar



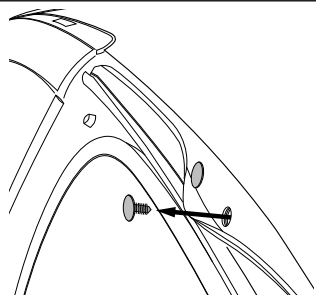
EURO crossbar



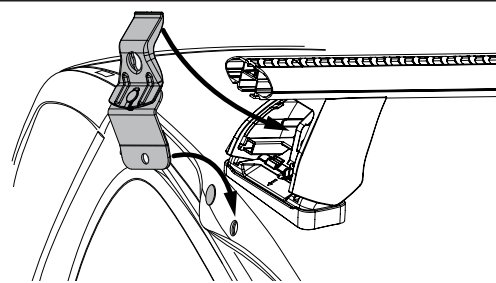
HD crossbar

Vehicle	Date	Crossbar	FRONT CROSSBAR						REAR CROSSBAR						
			Front Right Pad/Clamp	Front Left Pad/Clamp	Measurement strip length per side	Measurement strip length per side	Measurement Distance (x)	Foot plate arrow direction	Rear Pad	M8 Stud length (mm)	M6 Screw length (mm)	Measurement strip length per side	Measurement strip length per side	Measurement Distance (x)	Foot plate arrow direction
Renault Clio X85 (incl. RS) 3dr hatch	08-13 (EU, UK 06-12)	1180mm	142609 SUB0652	142609 SUB0652	154mm	99mm	876mm / 34,1/2"	OUT	M472	47	40	154mm	99mm	876mm / 34,1/2"	OUT
			Pad Arrow Forward												

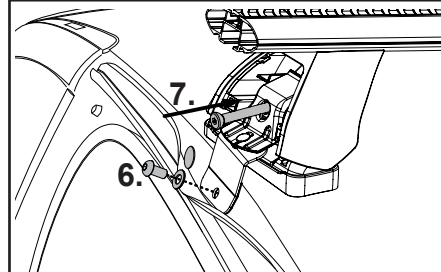
FRONT



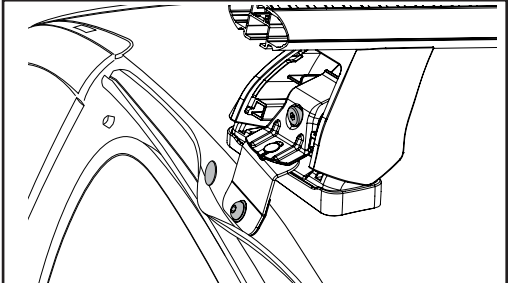
1. Open front doors.
2. Pry rubber seal down to expose plugs.
3. Remove front plug to expose M8 thread.



4. Place assembled front roof rack onto vehicle as per Fitting Instruction 2501.
5. Locate SUB0652 bracket in line with the exposed thread then into the roof rack leg.



6. Insert M8 dome screw with washer through lower bracket, finger tighten.
7. Insert M8 attachment screw through top bracket, finger tighten.
8. Repeat for opposite side of vehicle.



9. Fasten M8 Dome screw, 4-5 Nm.
10. Fasten M8 attachment screw with Allen key provided, 4-5 Nm. Tighten evenly each side of the vehicle.



Rhino Rack 2500 Series - DK440 instruction

CONTROLLED

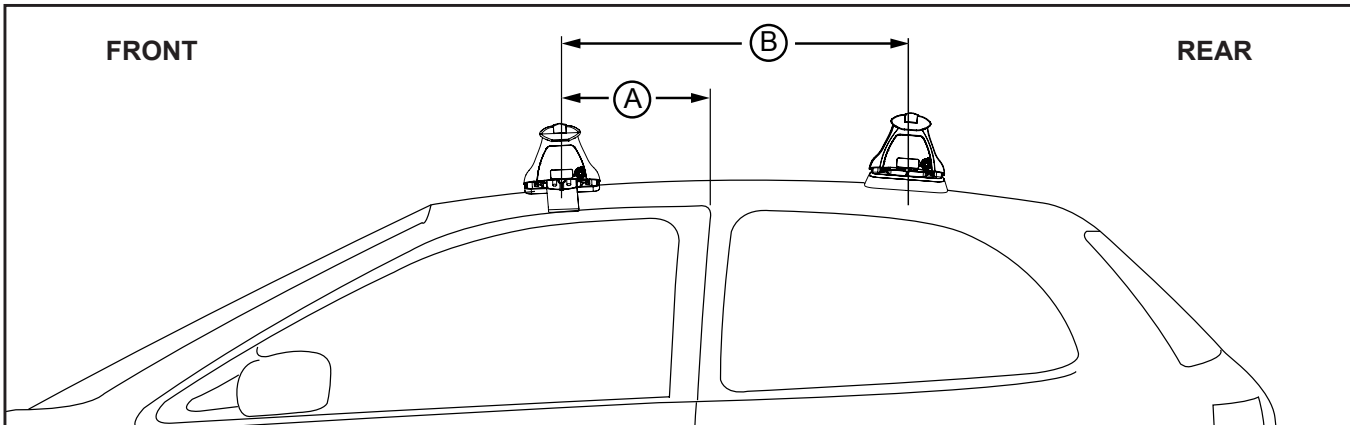
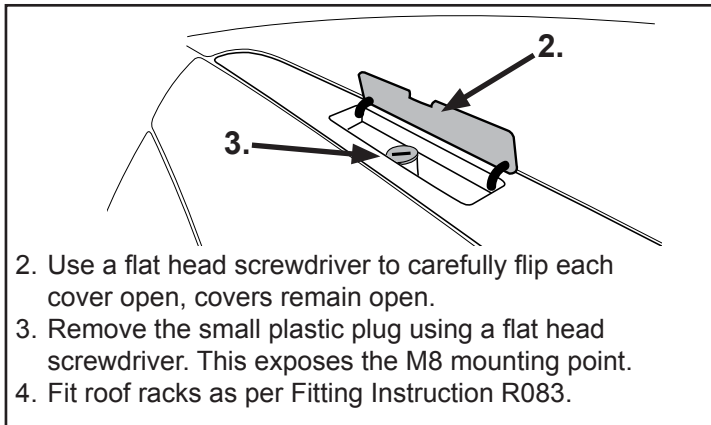
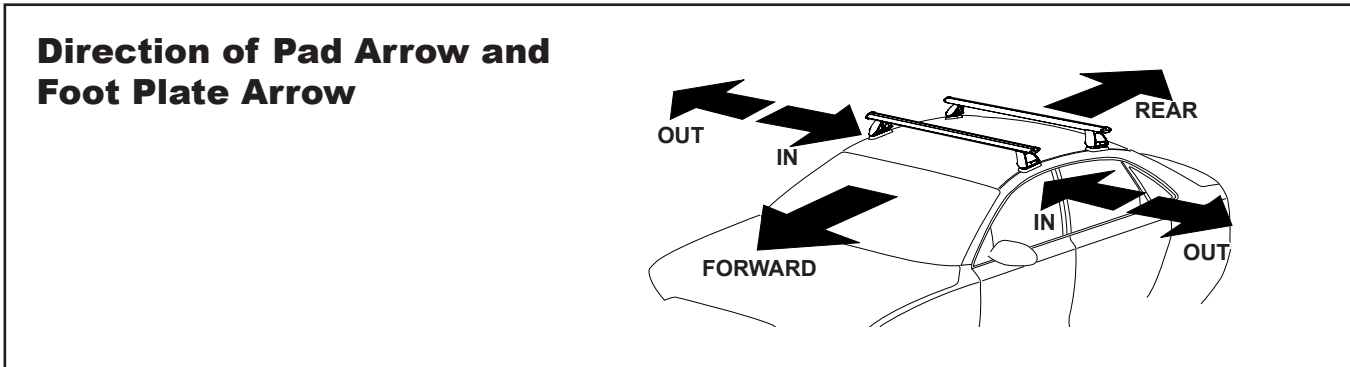
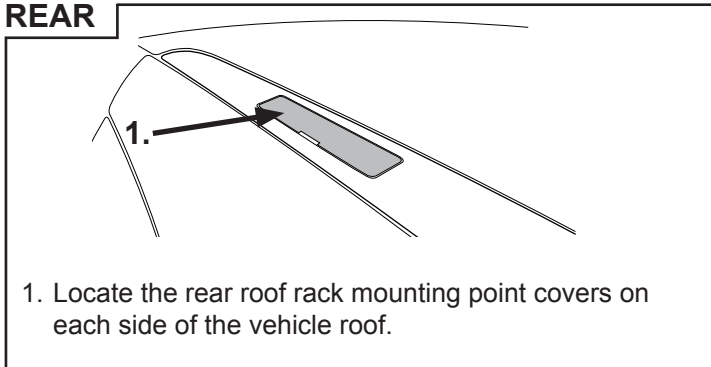
Measurement A: CENTRE of door jamb to CENTRE arrow of leg foot plate.

Measurement B: CENTRE of Front leg foot plate arrow to CENTRE of Rear leg foot plate arrow.

Carrying capacity: Roof rack is rated to 75kg. Please refer to manufacturers handbook for your vehicles maximum roof load capacity. Always use the lower of the two figures.

If your vehicle is not listed on this fitting instruction please refer to your countries Rhino-Rack web site for the latest information.

REAR



VEHICLE	Date	Measurement A	Measurement B	Load Rating (includes racks 5kg/ 11lbs)
Renault Clio X85 (incl. RS) 3dr hatch	08-13 (EU, UK 06-12)	395mm / 15,35/64"	690mm / 27,11/64"	75kg / 165lbs