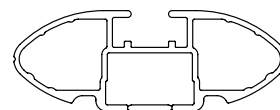
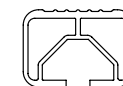




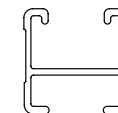
**CROSSBAR IDENTIFICATION**



**VA crossbar**



**EURO crossbar**



**HD crossbar**

		<b>FRONT CROSSBAR</b>							<b>REAR CROSSBAR</b>					
Vehicle	Date	Crossbar	Front Right Pad/Clamp	Front Left Pad/Clamp	Measurement strip length per side	Measurement strip length per side	Measurement Distance ( x )	Foot plate arrow direction	Rear Right Pad/Clamp	Rear Left Pad/Clamp	Measurement strip length per side	Measurement strip length per side	Measurement Distance ( x )	Foot plate arrow direction
Toyota Wish 4dr wagon ZGE20	09-	1180mm	M368 SUB0145	M368 SUB0145	171mm	116mm	910mm / 35,53/64"	OUT	M366 SUB0369	M366 SUB0369	162mm	107mm	892mm / 35,1/8"	OUT
			Pad Arrow Out						Pad Arrow Forward					



# Rhino Rack 2500 Series - DK434 instruction

**CONTROLLED**

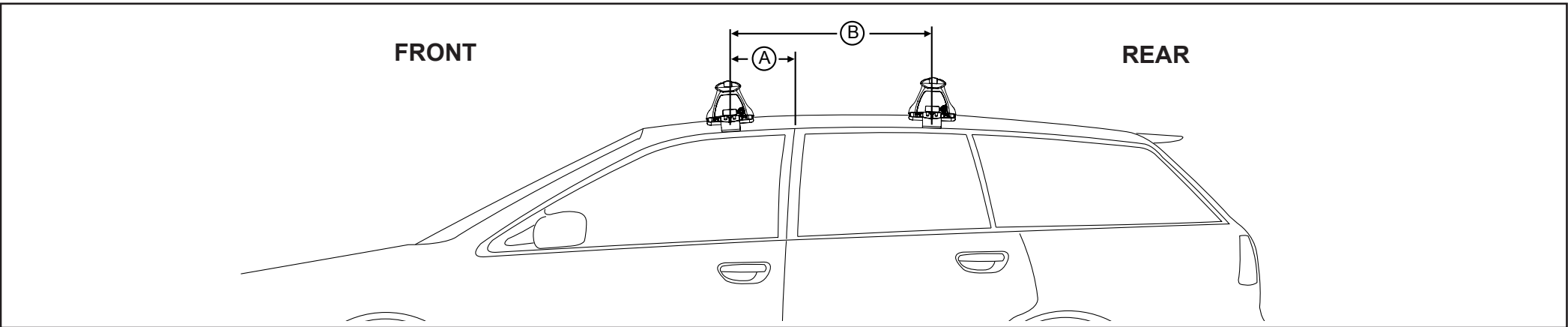
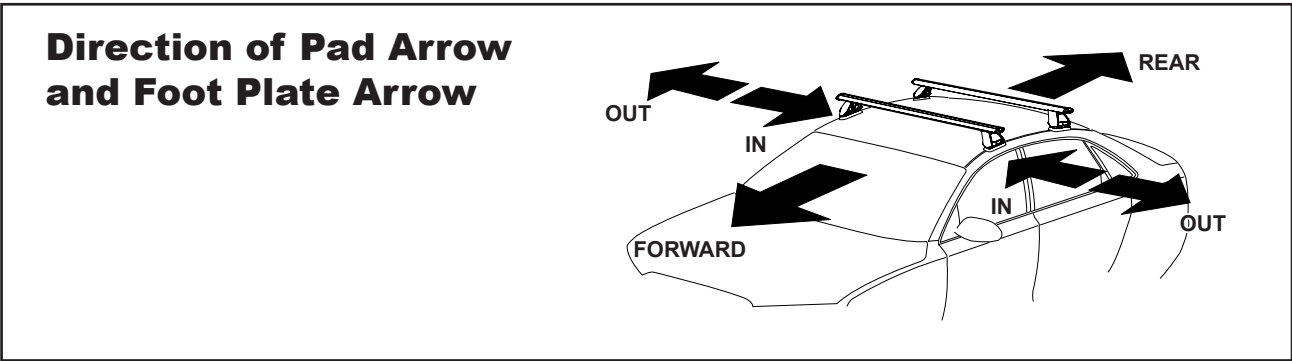
**Measurement A:** CENTRE of door jamb to CENTRE arrow of leg foot plate.

**Measurement B:** CENTRE of Front leg foot plate arrow to CENTRE of Rear leg foot plate arrow.

**Carrying capacity:** Roof rack is rated to 75kg. Please refer to manufacturers handbook for your vehicles maximum roof load capacity. Always use the lower of the two figures.

If your vehicle is not listed on this fitting instruction please refer to your countries Rhino-Rack web site for the latest information.

Note:  
Front crossbar assembly is located in line with the door jamb centreline.



VEHICLE	Date	Measurement A	Measurement B	Load Rating (includes racks 5kg/ 11lbs)
Toyota Wish 4dr wagon ZGE20	09-	0mm / 0"	745mm / 29,21/64"	75kg / 165lbs