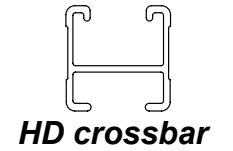
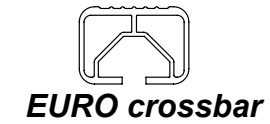
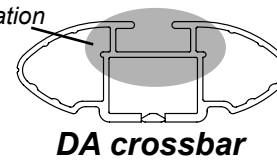
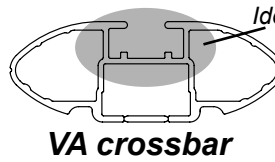




IDENTIFICATION CHART



Vehicle	Date	Crossbar	FRONT CROSSBAR					REAR CROSSBAR						
			Front Right Pad/ Clamp	Front Left Pad/ Clamp	Measurement strip length per side	Measurement strip length per side	Measurement Distance (x)	Foot plate arrow direction	Rear Right Pad/Clamp	Rear Left Pad/Clamp	Measurement strip length per side	Measurement strip length per side	Measurement Distance (x)	Foot plate arrow direction
Peugeot 208 3dr hatch incl. GTi	12-	1180mm	M366 SUB0461	M366 SUB0461	204mm	149mm	976mm / 38,27/64"	OUT	M366 SUB0186	M366 SUB0186	180mm	125mm	928mm / 36,17/32"	OUT
			Pad Arrow Forward						Pad Arrow Forward					

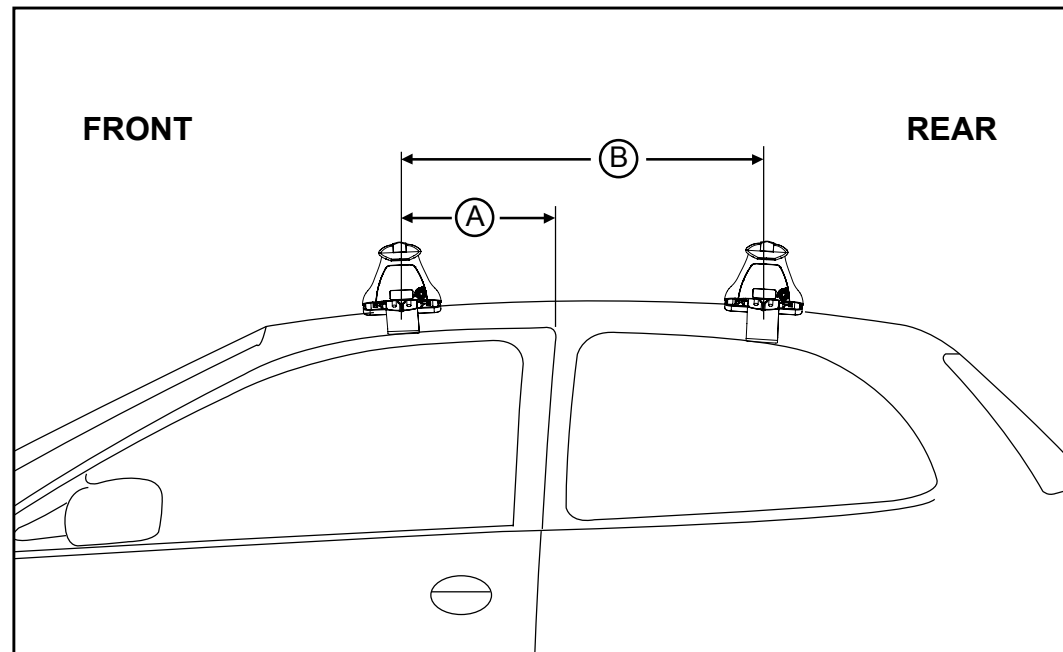
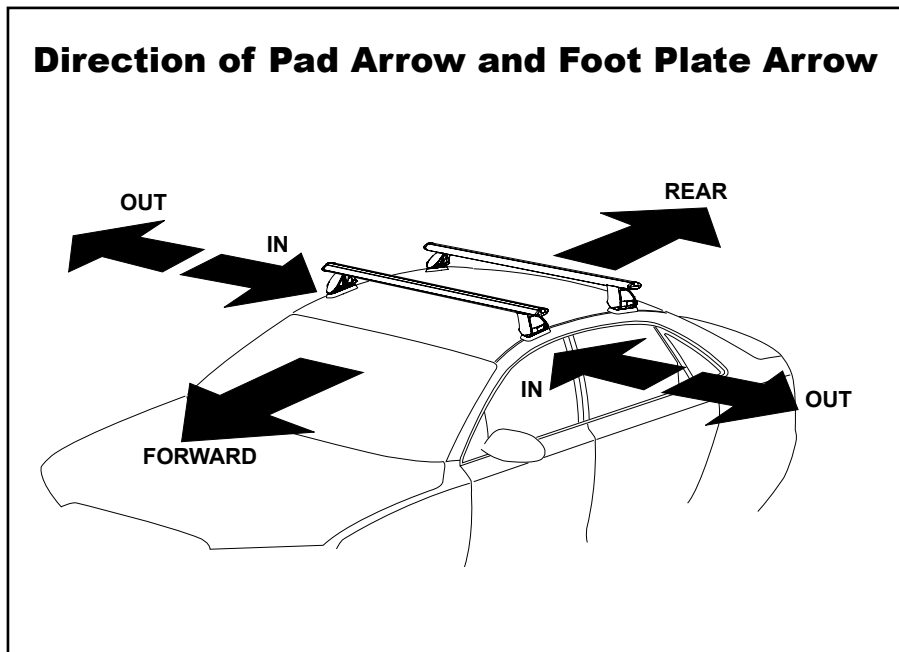


Measurement A: CENTRE of door jamb to CENTRE arrow of leg foot plate.

Measurement B: CENTRE of Front leg foot plate arrow to CENTRE of Rear leg foot plate arrow.

Carrying capacity: Roof rack is rated to 75kg. Please refer to manufacturers handbook for your vehicles maximum roof load capacity. Always use the lower of the two figures.

If your vehicle is not listed on this fitting instruction please refer to your countries Rhino-Rack web site for the latest information.



VEHICLE	Date	Measurement A	Measurement B	Load Rating (includes racks 5kg/ 11lbs)
Peugeot 208 3dr hatch incl. GTi	12-	470mm / 18,1/2"	710mm / 27,61/64"	75kg / 165lbs